



US00D556976S

(12) **United States Design Patent**
Liautaud et al.

(10) **Patent No.:** **US D556,976 S**

(45) **Date of Patent:** **** Dec. 11, 2007**

(54) **GUITAR BRIDGE**

2006/0016947 A1* 1/2006 Capozzi et al. 248/284.1

(75) Inventors: **Cedric Liautaud**, Jamaica Plain, MA (US); **Craig Small**, Framingham, MA (US)

OTHER PUBLICATIONS

Bethlehem Steel Company. (Catalog)1957. p. 8: Col. 1, Row 8.*
Grammes (Catalog), 1941. p. 19. Furniture Hardware. Third Row, Second Item from Left.*
Grammes (Catalog), 1941. p. 42. Mirror and Picture Frame Hardware. Third Row, Second Item from Left.*

(73) Assignee: **First Act, Inc.**, Boston, MA (US)

* cited by examiner

(**) Term: **14 Years**

Primary Examiner—Ian Simmons

(21) Appl. No.: **29/267,636**

Assistant Examiner—R. Johnson

(22) Filed: **Oct. 18, 2006**

(74) *Attorney, Agent, or Firm*—Townsend and Townsend and Crew LLP

(51) **LOC (8) Cl.** **17-03**

(52) **U.S. Cl.** **D2/21**

(58) **Field of Classification Search** D17/14,
D17/15, 18, 19, 20, 21, 99; 84/173, 209–211,
84/267, 290, 292, 298, 299, 307–309, 311,
84/453, 327, 329; D25/119; D8/373, 380–382
See application file for complete search history.

(57) **CLAIM**

The ornamental design for a guitar bridge, as shown and described.

(56) **References Cited**

DESCRIPTION

U.S. PATENT DOCUMENTS

D169,564 S *	5/1953	Schultz	D8/375
3,329,054 A *	7/1967	Faillaci	84/267
4,267,792 A *	5/1981	Kimura et al.	114/219
D270,120 S *	8/1983	McPherson, Sr.	D6/567
4,598,504 A *	7/1986	Itagaki	52/36.5
5,465,532 A *	11/1995	Varin	49/493.1
D385,481 S *	10/1997	Klein et al.	D8/373
D401,266 S *	11/1998	LoJacono	D17/20
D404,288 S *	1/1999	Orser	D8/373
6,604,735 B2 *	8/2003	McCollough et al.	267/140

FIG. 1 is a front perspective view of a guitar bridge showing our new design;

FIG. 2 is a front elevational view thereof;

FIG. 3 is a rear elevational view thereof;

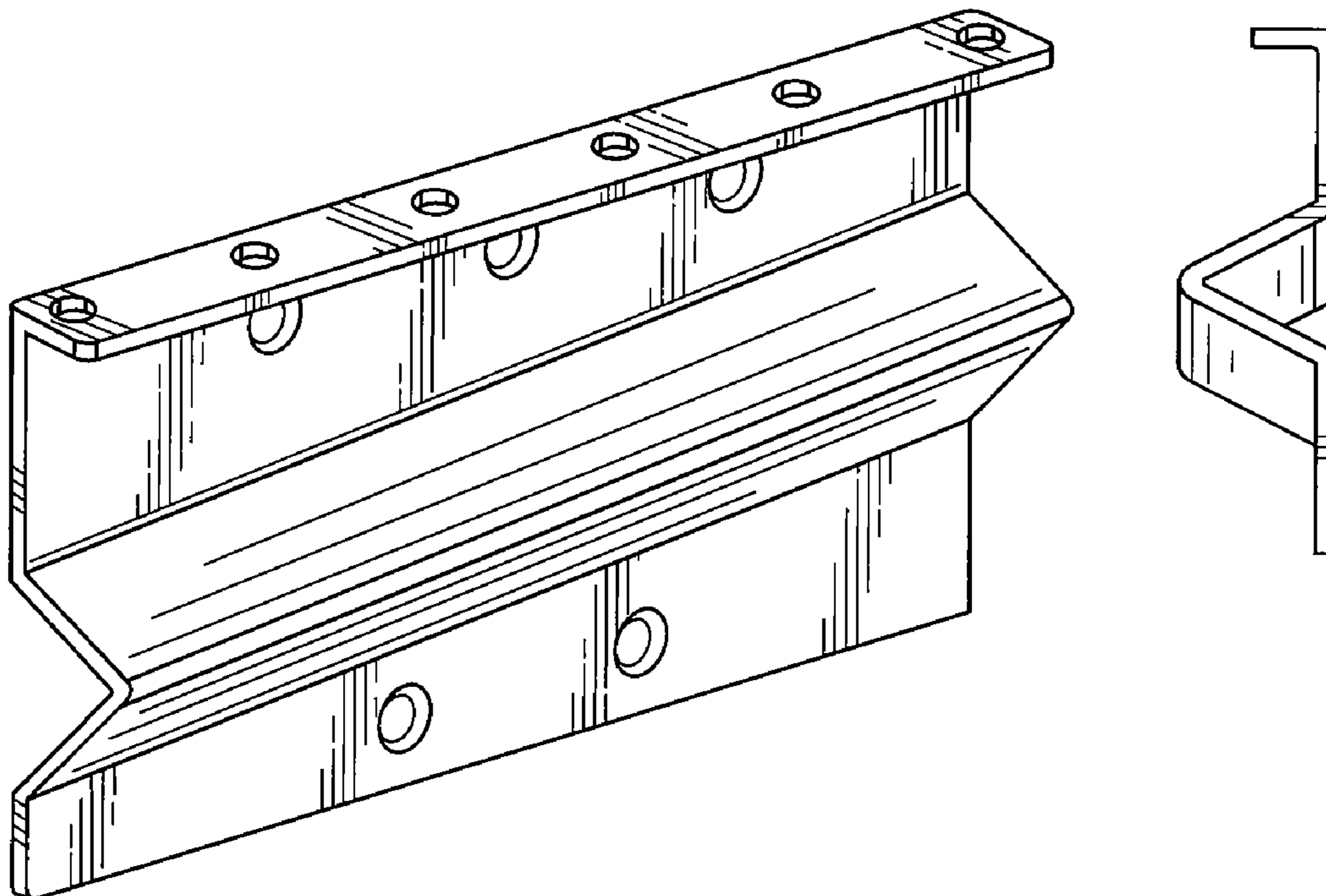
FIG. 4 is a side elevational view thereof;

FIG. 5 is another side elevational view thereof, opposite of that shown in FIG. 4;

FIG. 6 is a top plan view thereof; and,

FIG. 7 is a bottom plan view thereof.

1 Claim, 2 Drawing Sheets



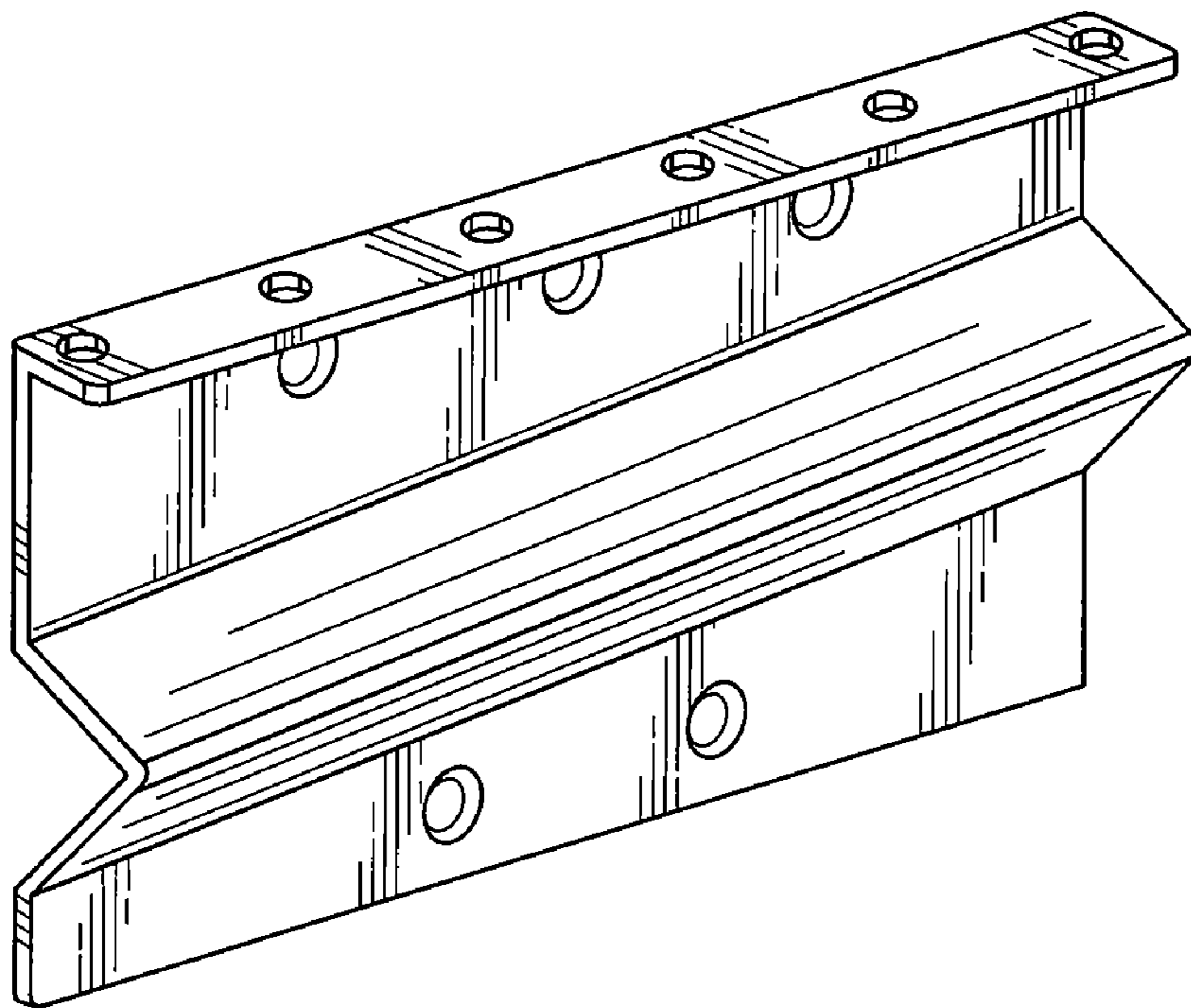


FIG. 1

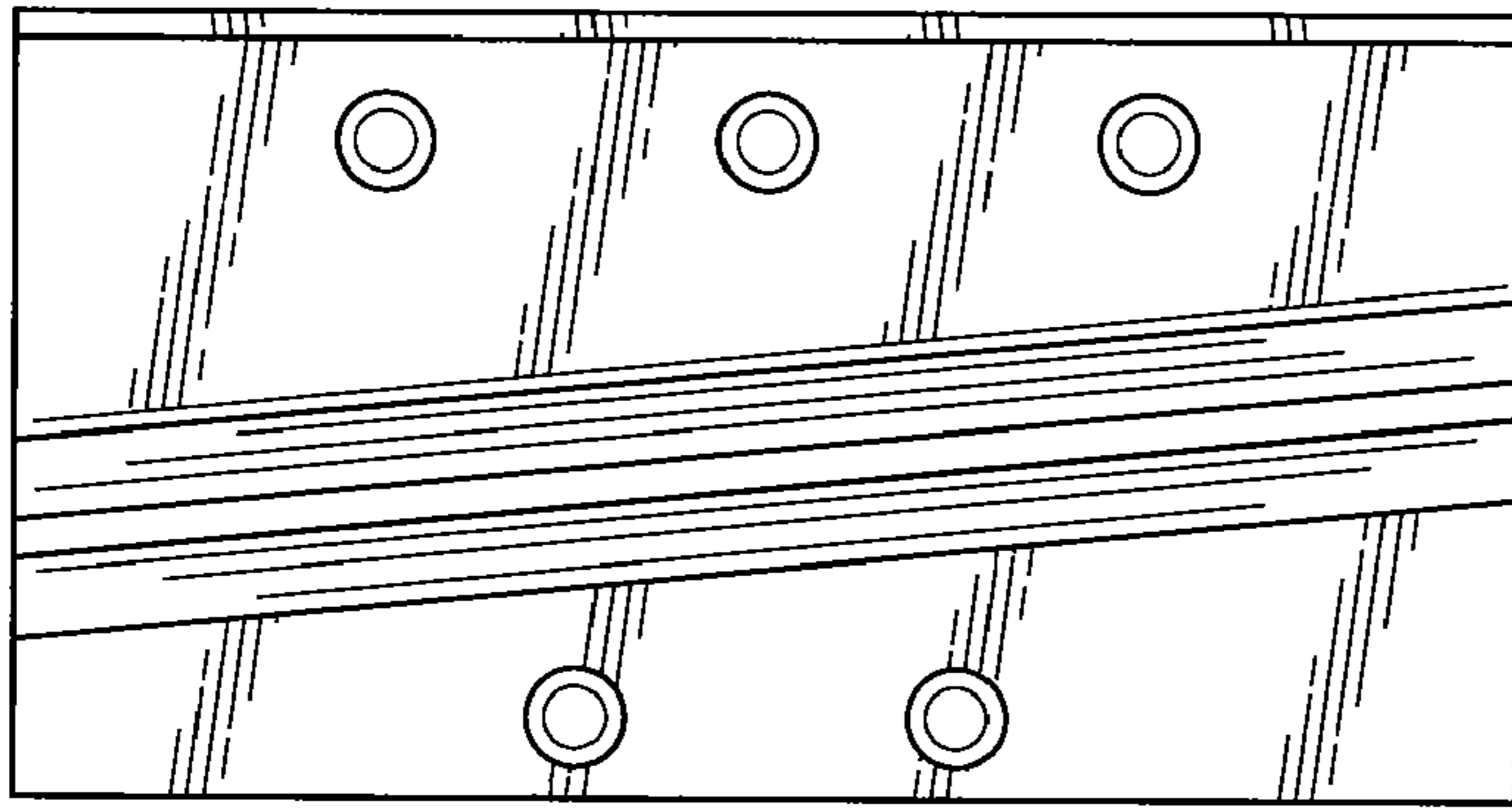


FIG. 2

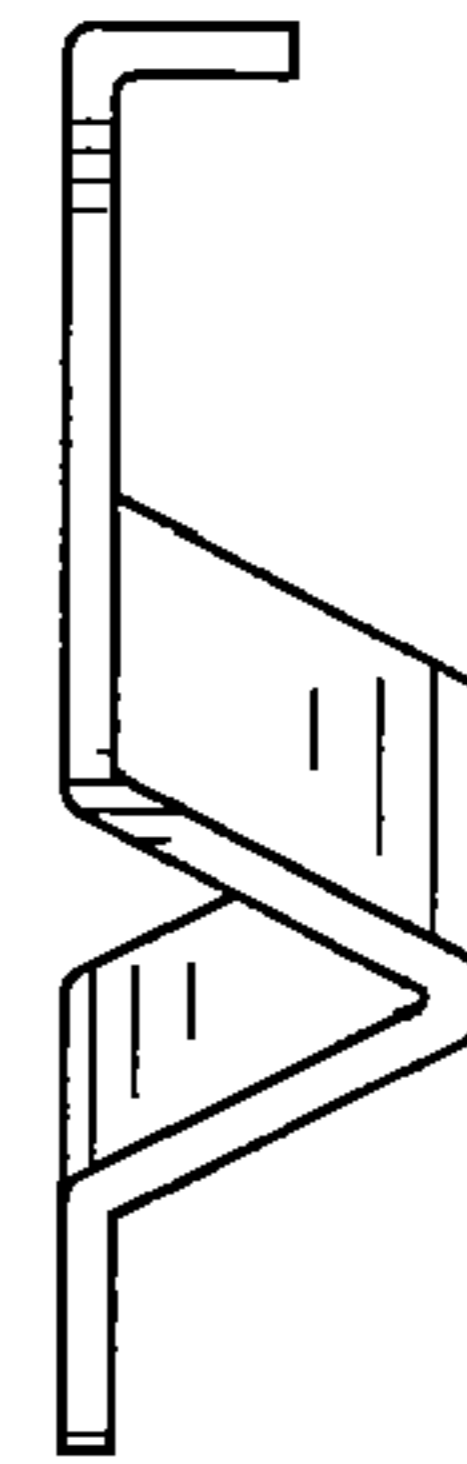


FIG. 4

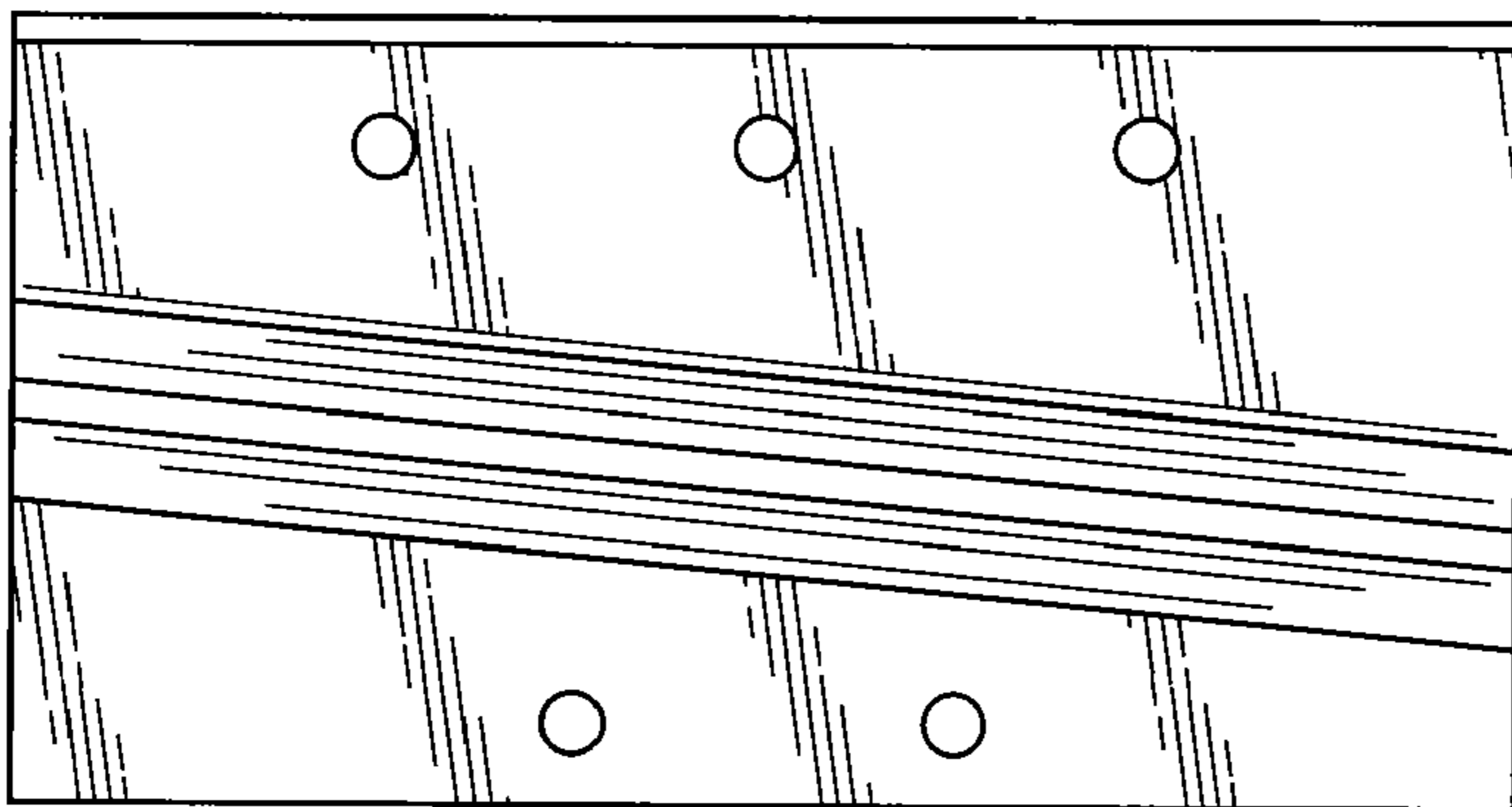


FIG. 3

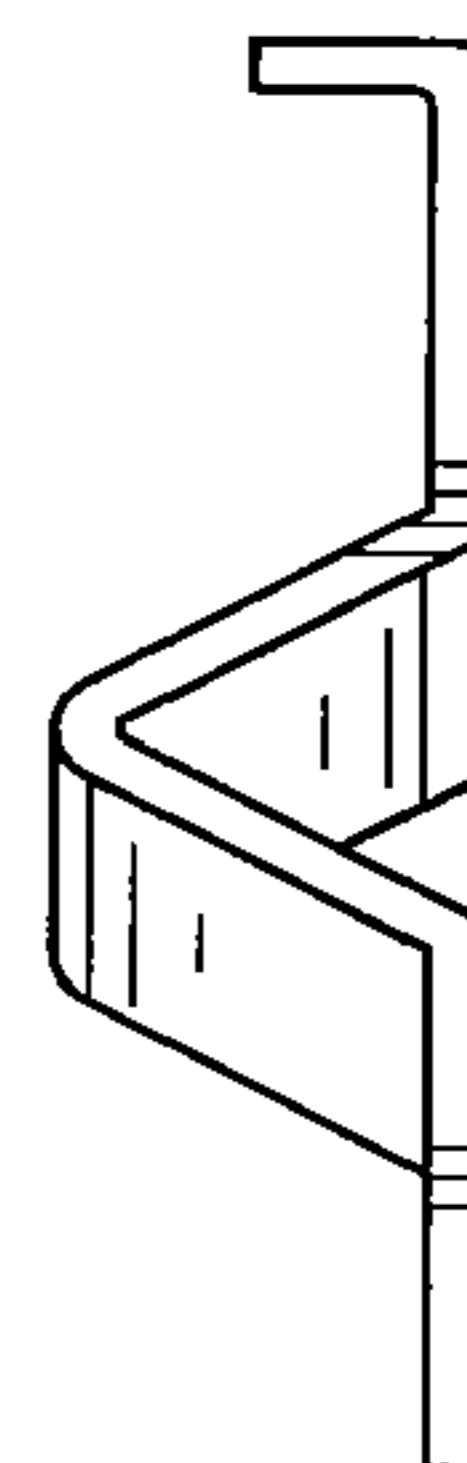


FIG. 5

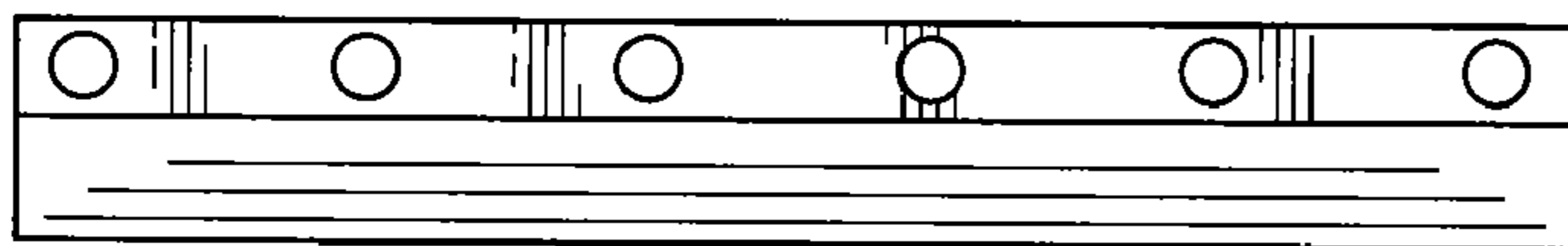


FIG. 6

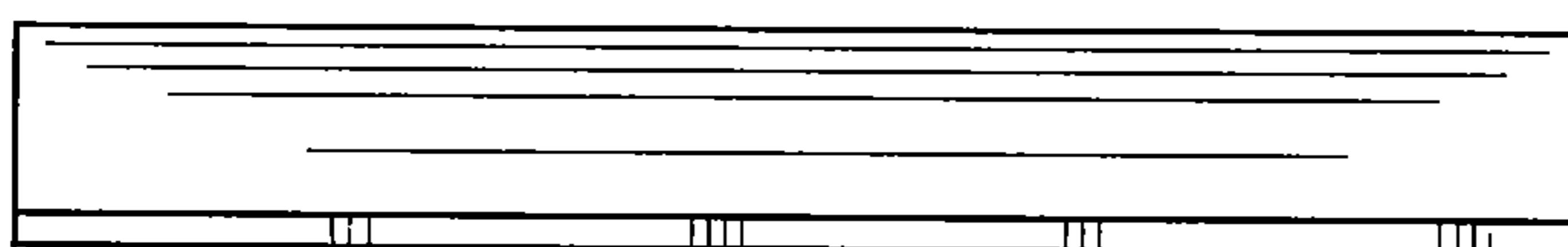


FIG. 7