



US00D556974S

(12) **United States Design Patent** (10) **Patent No.:** **US D556,974 S**
Speir (45) **Date of Patent:** **** Dec. 4, 2007**

(54) **MAILBOX CROWN**

(76) **Inventor:** **Jack Harris Speir**, 2014 Oak Grove Rd. NE., Atlanta, GA (US) 30345

(**) **Term:** **14 Years**

(21) **Appl. No.:** **29/249,490**

(22) **Filed:** **Oct. 9, 2006**

(51) **LOC (8) Cl.** **99-00**

(52) **U.S. Cl.** **D99/43; D20/19**

(58) **Field of Classification Search** D99/25-43, D99/99; 232/17, 21, 33, 38-42, 43.1-43.3, 232/45; 52/3; D8/305-307, 313-320; D3/270, D3/272, 294; D6/510; D20/29, 38; 40/124.14
See application file for complete search history.

(56) **References Cited**

U.S. PATENT DOCUMENTS

D287,899 S	1/1987	Lindheimer	
4,813,595 A *	3/1989	Johns et al.	232/17
D305,824 S	1/1990	Carter	
D313,105 S	12/1990	Klahre	
5,106,016 A	4/1992	Beckmann	
5,178,321 A	1/1993	Majewski	
5,207,378 A *	5/1993	Detchon	232/38
5,323,959 A *	6/1994	Draper	232/33
D385,676 S	10/1997	Childress et al.	
D399,533 S *	10/1998	Krattiger	D20/23
D401,285 S *	11/1998	Krattiger	D20/23
5,946,838 A *	9/1999	Lanoue	40/607.14

5,984,172 A	11/1999	Easterwood	
D454,243 S	3/2002	Pawlowski	
6,772,938 B2 *	8/2004	Martin et al.	232/38
6,962,284 B1 *	11/2005	Hartelius et al.	232/38
2003/0057268 A1 *	3/2003	Martin et al.	232/38
2005/0067480 A1	3/2005	Toussant et al.	
2006/0137230 A1	6/2006	Speir	
2006/0168858 A1 *	8/2006	Taylor	40/606.06
2006/0186188 A1 *	8/2006	Belanger	232/38

* cited by examiner

Primary Examiner—Stella M. Reid

Assistant Examiner—Susan E Krakower

(74) *Attorney, Agent, or Firm*—George Ronald Reardon

(57) **CLAIM**

The ornamental design for a mailbox crown, as shown and described.

DESCRIPTION

FIG. 1 is a front perspective view of a mailbox crown showing my new design;

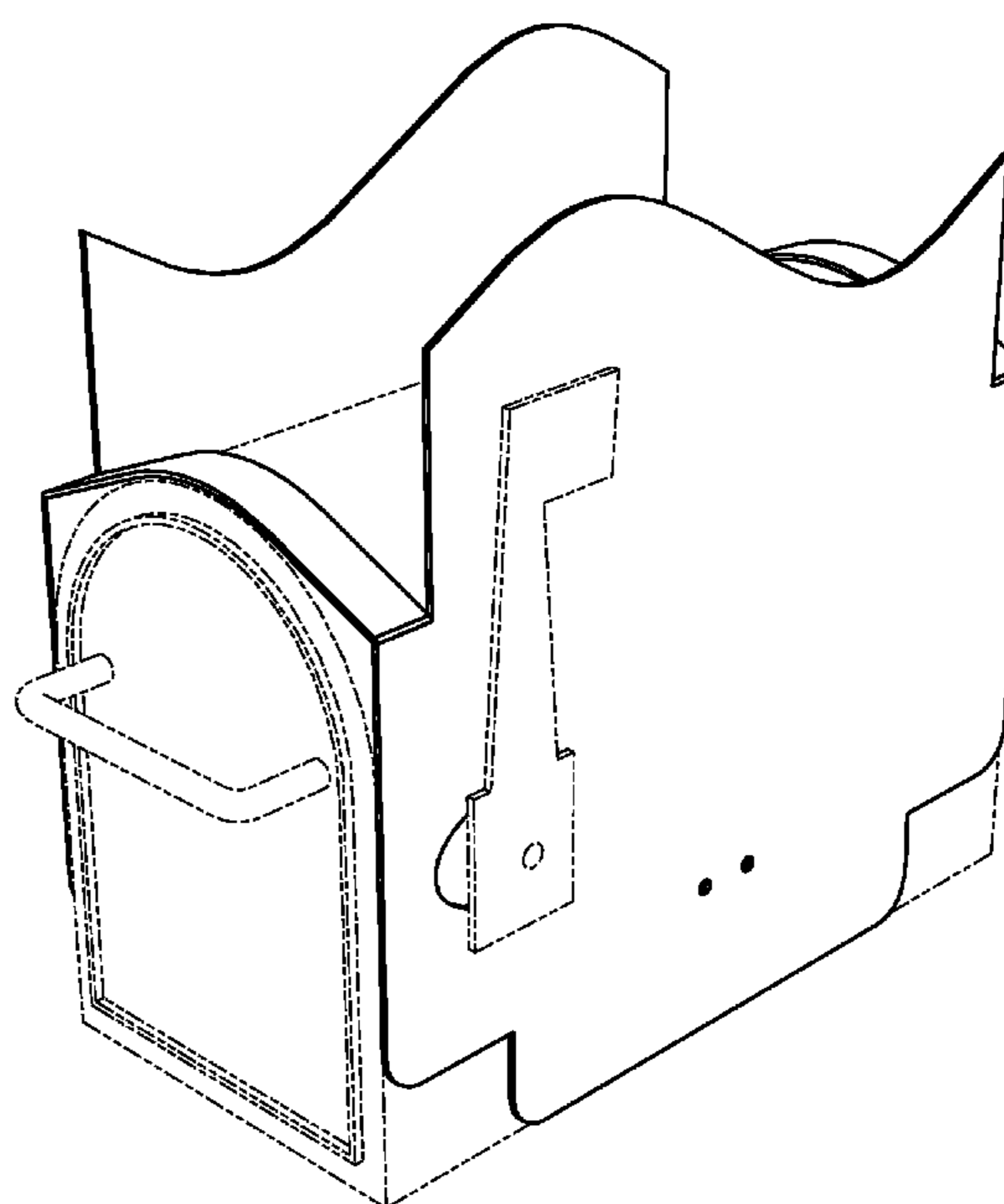
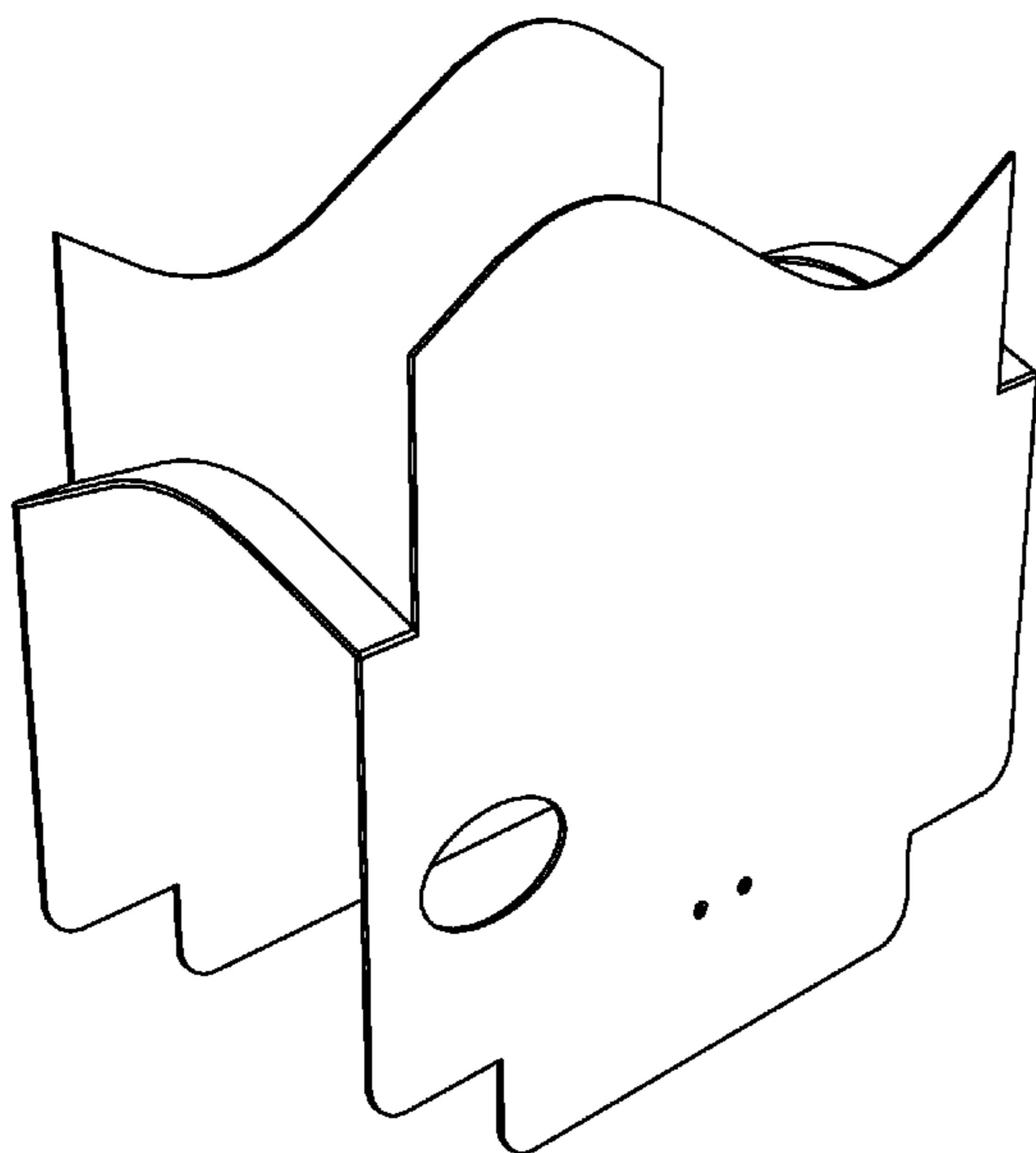
FIG. 2 is a rear perspective view thereof; and,

FIG. 3 is a front perspective view thereof, in use.

All sides not shown in the drawing disclosure forms no part of the claimed design.

The broken line showing of a mailbox is included for the purpose of illustrating environmental structure and forms no part of the claimed design.

1 Claim, 3 Drawing Sheets



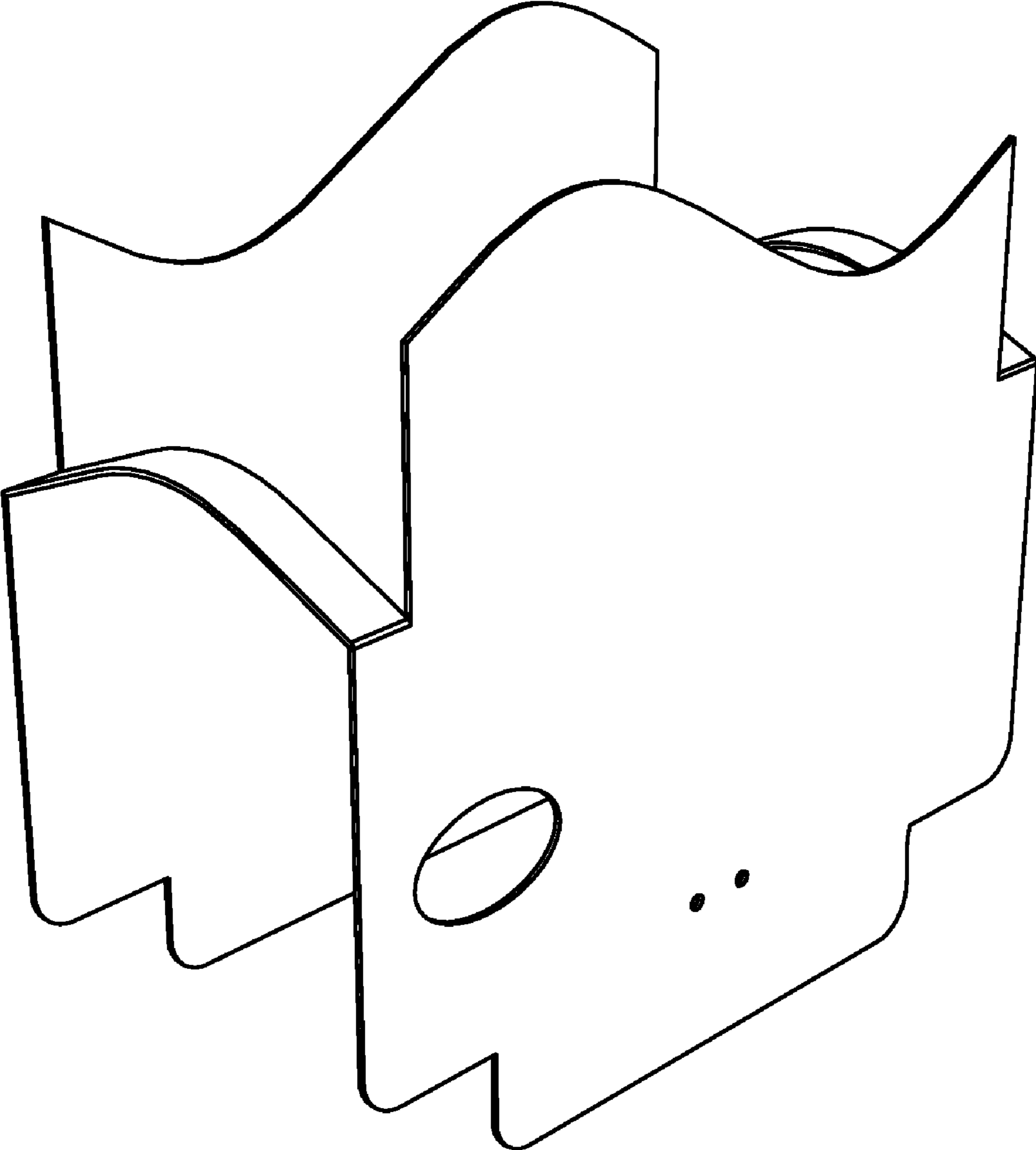


FIG. 1

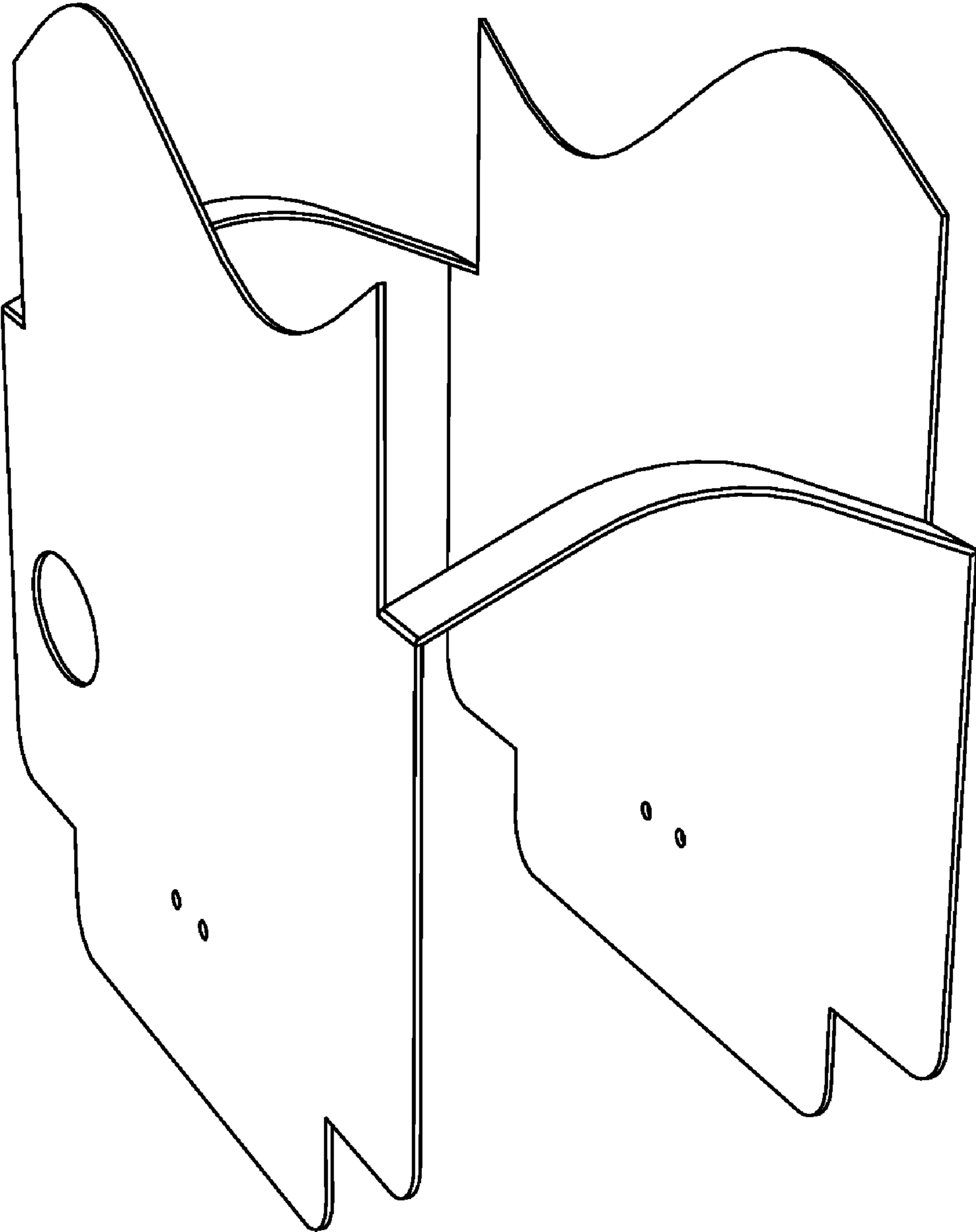


FIG. 2

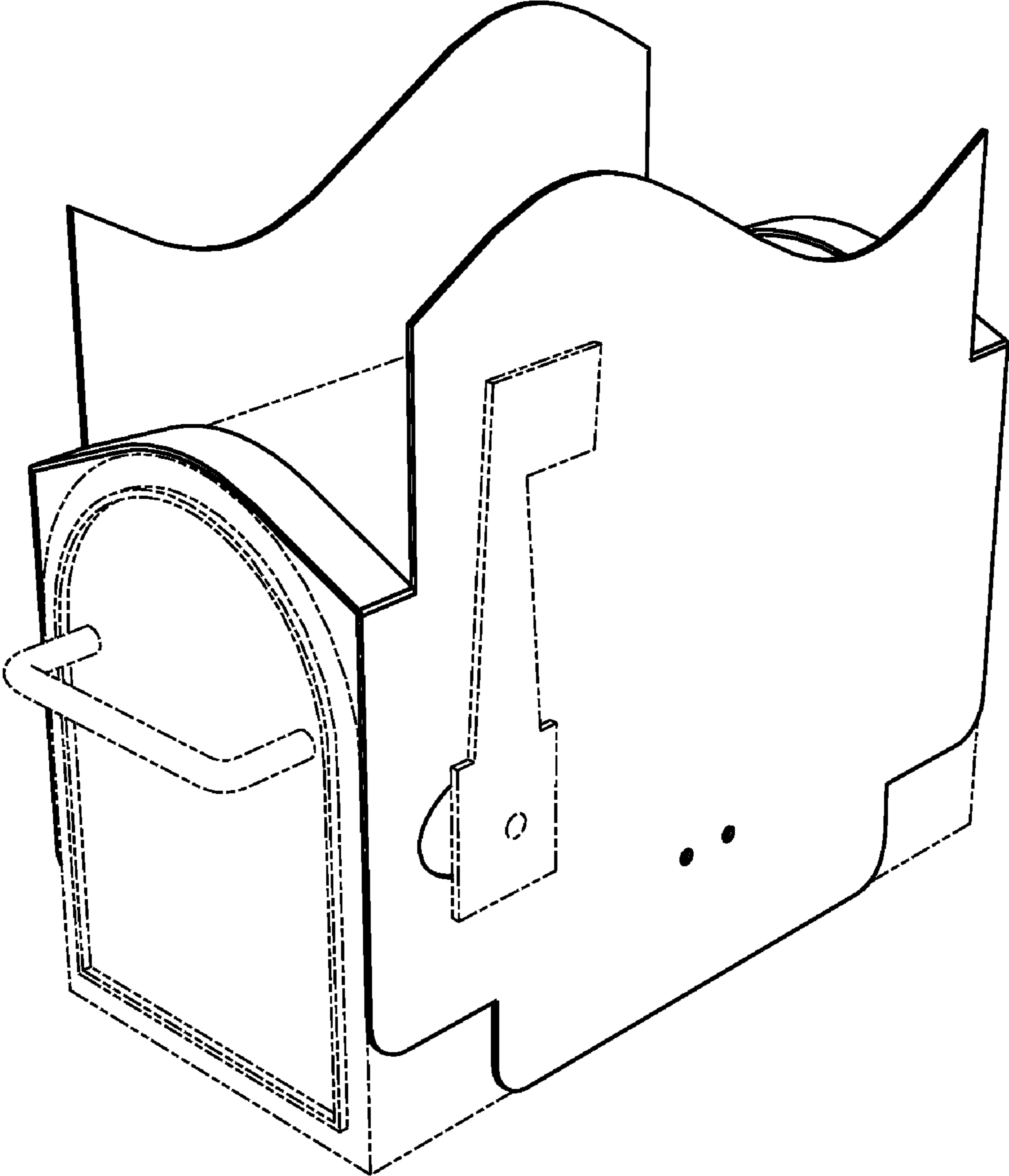


FIG. 3