



US00D556972S

(12) **United States Design Patent** (10) **Patent No.:** **US D556,972 S**
Whiteside et al. (45) **Date of Patent:** **** Dec. 4, 2007**

(54) **MECHANIC'S CREEPER**

(75) Inventors: **Kirt E. Whiteside**, Marion, OH (US);
Robert E. Studer, New Washington,
OH (US); **Keith R. Studer**, Shelby, OH
(US)

(73) Assignee: **Whiteside Manufacturing, Co.**,
Delaware, OH (US)

(**) Term: **14 Years**

(21) Appl. No.: **29/268,425**

(22) Filed: **Nov. 7, 2006**

(51) **LOC (8) Cl.** **12-02**

(52) **U.S. Cl.** **D34/23**

(58) **Field of Classification Search** D34/12,
D34/23-27; 280/79.11, 32.5, 32.6

See application file for complete search history.

(56) **References Cited**

U.S. PATENT DOCUMENTS

5,174,592 A	12/1992	Pool	
5,330,209 A *	7/1994	Pool	280/32.6
D351,707 S *	10/1994	Pill	D34/23
5,413,544 A *	5/1995	Fiore	482/68
5,472,219 A *	12/1995	Eckstrum	280/32.6
5,527,051 A *	6/1996	Plaza	280/32.6
5,624,126 A *	4/1997	Vosbikian et al.	280/32.6
D396,920 S	8/1998	Whiteside et al.	
D398,433 S	9/1998	Whiteside et al.	
D401,029 S *	11/1998	Taylor	D34/23
D401,714 S	11/1998	Whiteside et al.	
D401,715 S	11/1998	Whiteside et al.	
D403,822 S	1/1999	Whiteside et al.	
D406,432 S *	3/1999	Taylor et al.	D34/23
D406,433 S *	3/1999	Taylor et al.	D34/23

D406,683 S *	3/1999	Taylor et al.	D34/23
D409,344 S	5/1999	Whiteside et al.	
D436,708 S	1/2001	Whiteside	
D458,432 S	6/2002	Whiteside et al.	
D460,237 S *	7/2002	Hart	D34/23
6,705,622 B2	3/2004	Whiteside	
6,966,564 B2 *	11/2005	Hernandez, Jr.	280/32.6
D521,206 S *	5/2006	Obbitts et al.	D34/23
D527,159 S *	8/2006	Staples	D34/23
D532,177 S *	11/2006	Hernandez	D34/23
2005/0023780 A1 *	2/2005	Liu	280/32.6

OTHER PUBLICATIONS

Cover only Catalog 43 of Whiteside Mfg. Co., Delaware, Ohio.
Pages 44-45 of a catalog of Lisle Corp., Clarinda, Iowa.
Page 179 of a catalog showing MAC Tools Creepers.

* cited by examiner

Primary Examiner—Cynthia E. Ramirez

(74) *Attorney, Agent, or Firm*—Renner, Kenner, Grèive,
Bobak, Taylor & Weber

(57) **CLAIM**

The ornamental design for a mechanic's creeper, as shown
and described.

DESCRIPTION

FIG. 1 is a top, left side, rear elevational view of a mechan-
ic's creeper showing our new design;

FIG. 2 is a top plan view thereof;

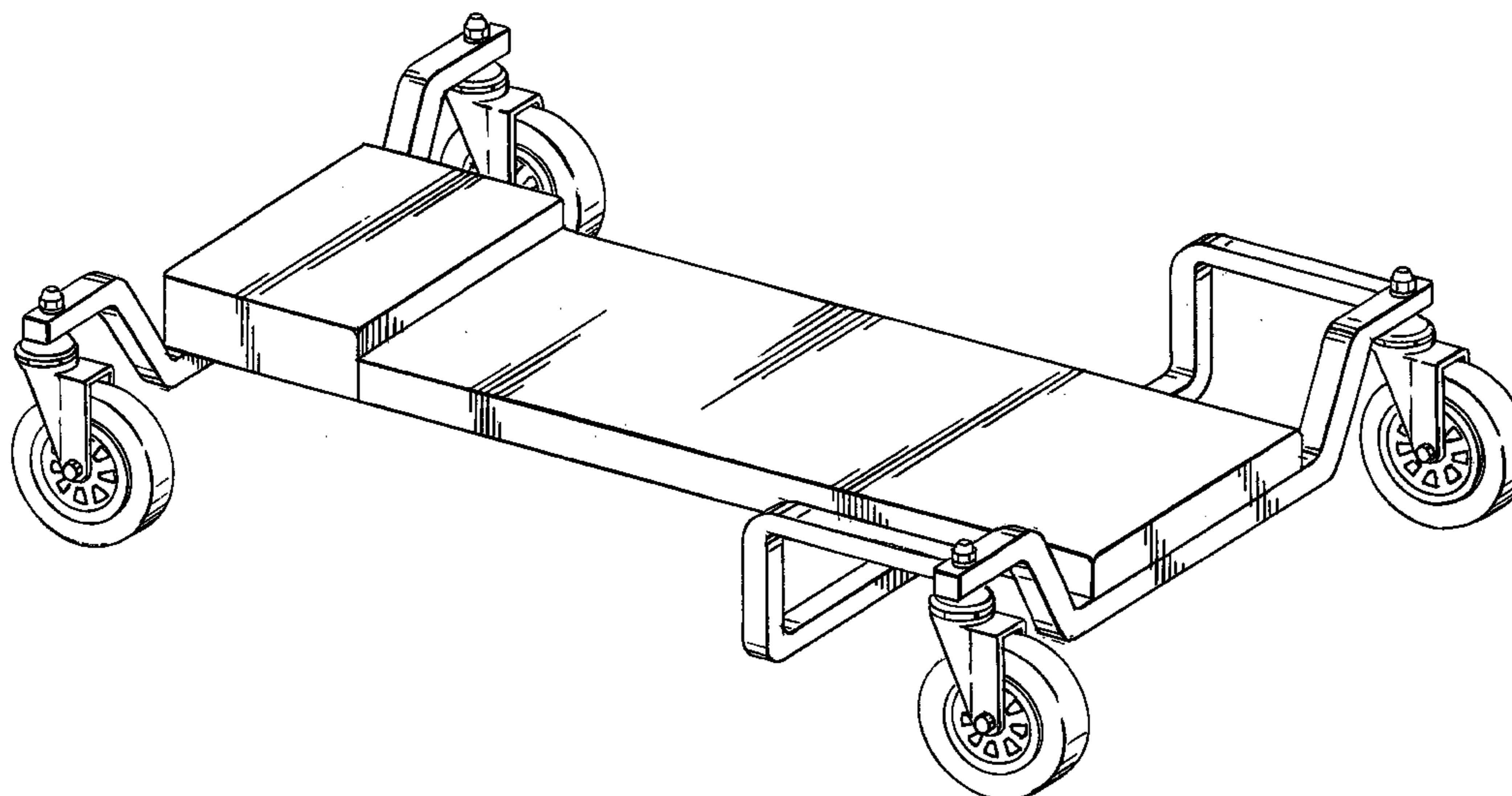
FIG. 3 is a left side elevational view thereof, the right side
being a mirror image of FIG. 3;

FIG. 4 is a rear elevational view thereof;

FIG. 5 is a front elevational view thereof; and,

FIG. 6 is a bottom plan view thereof.

1 Claim, 5 Drawing Sheets



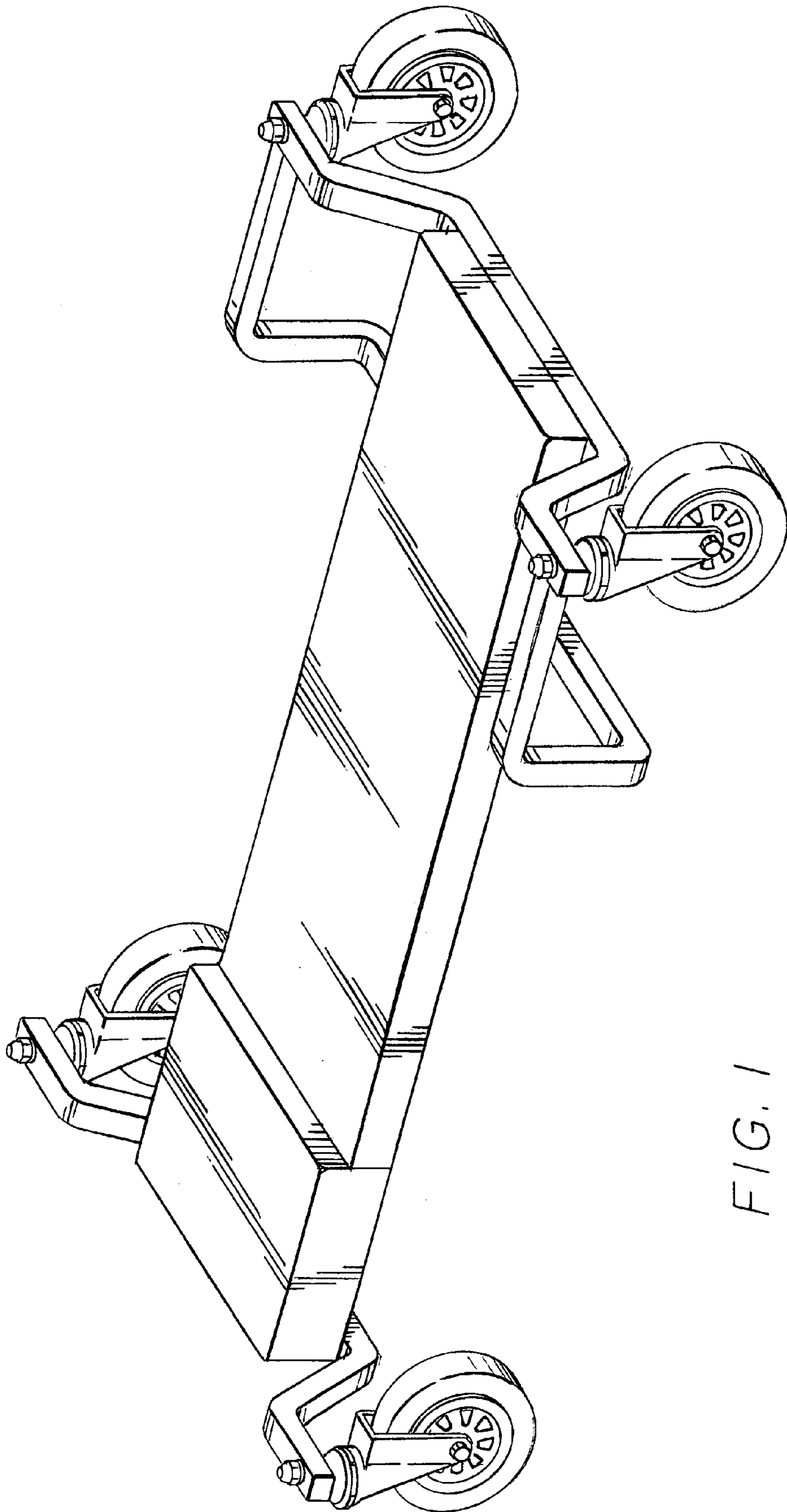


FIG. 1

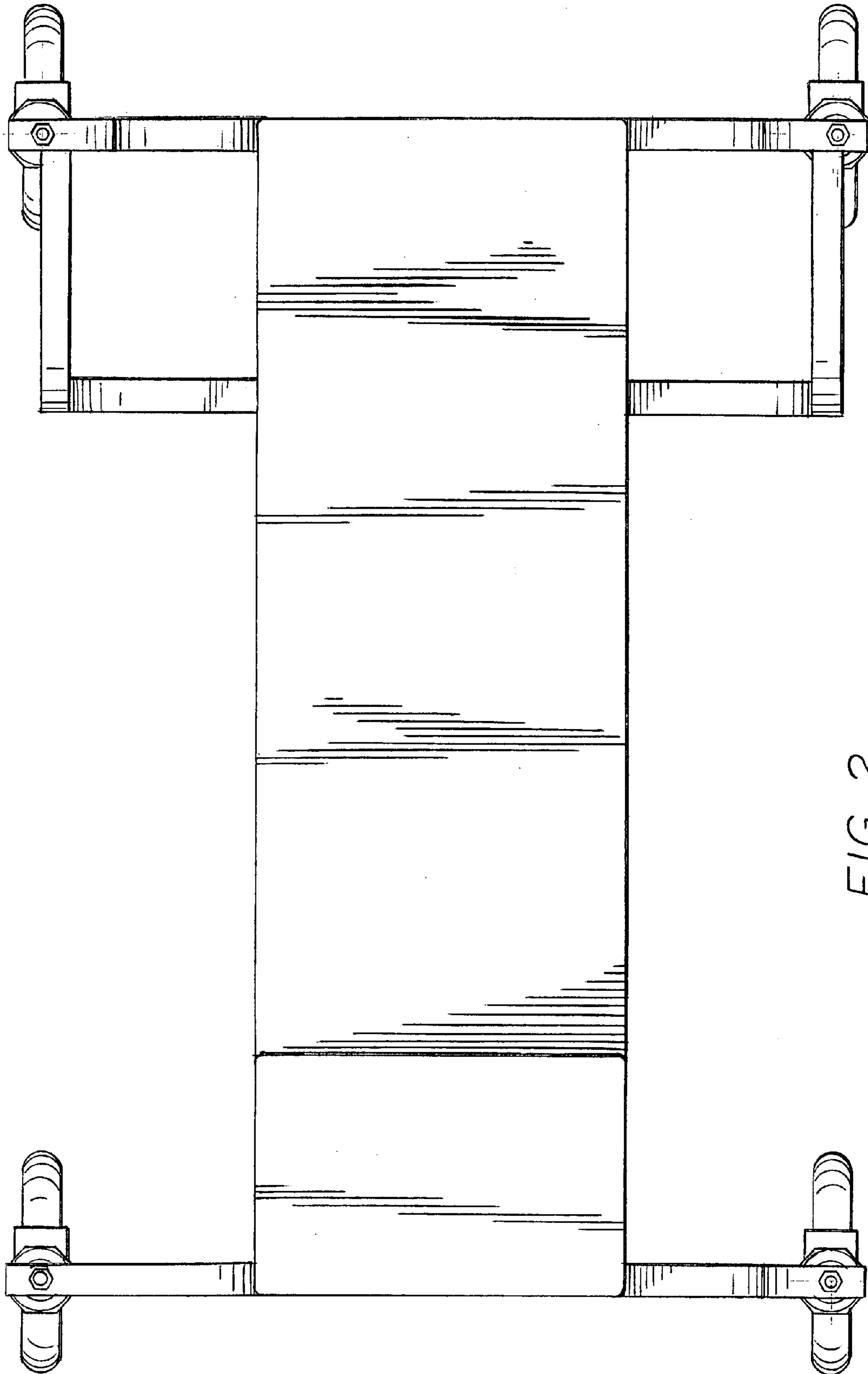


FIG. 2

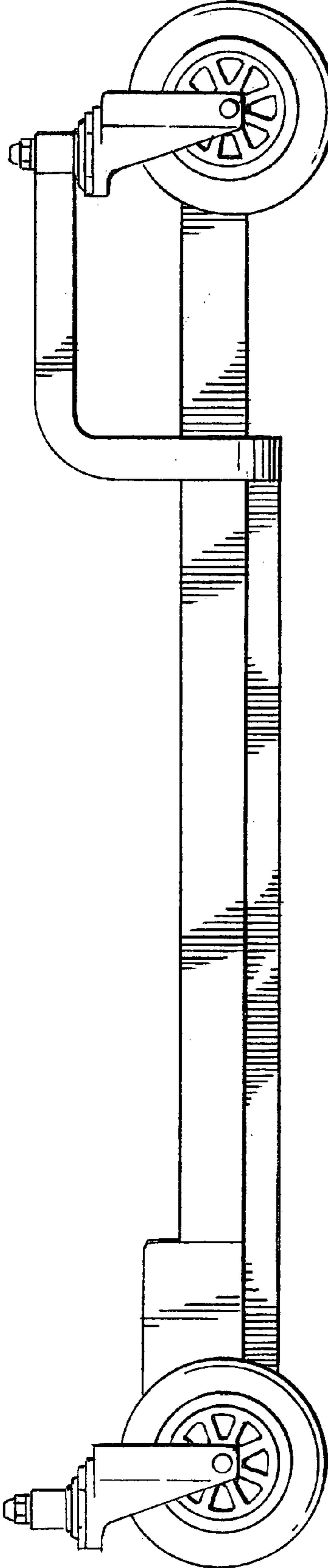


FIG. 3

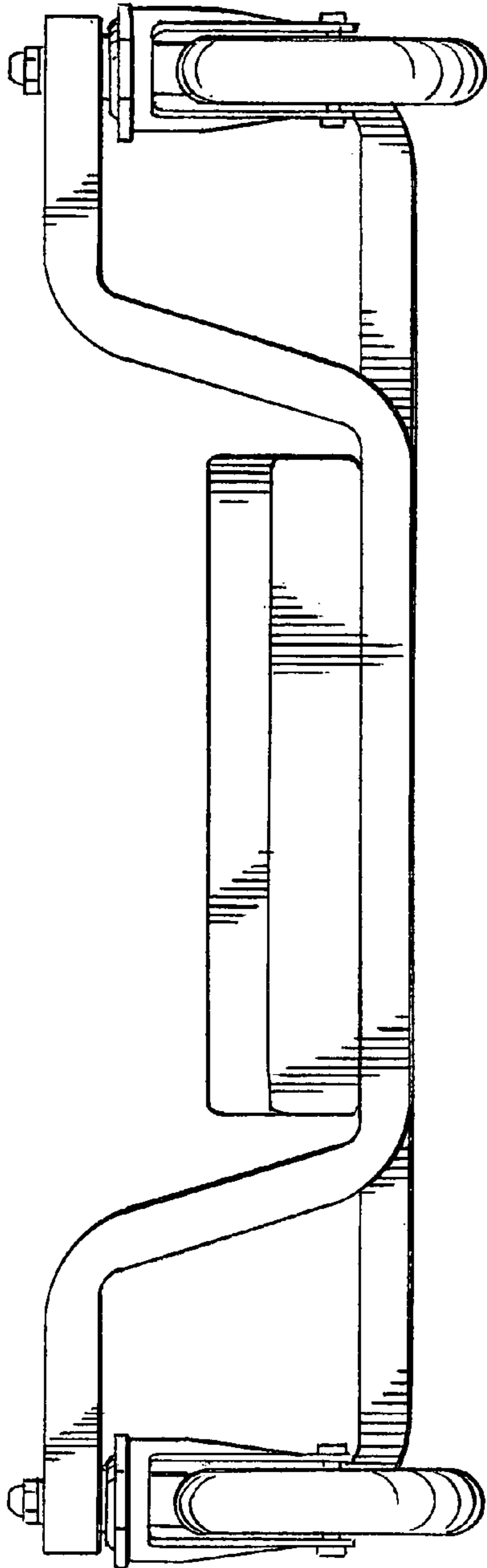


FIG. 4

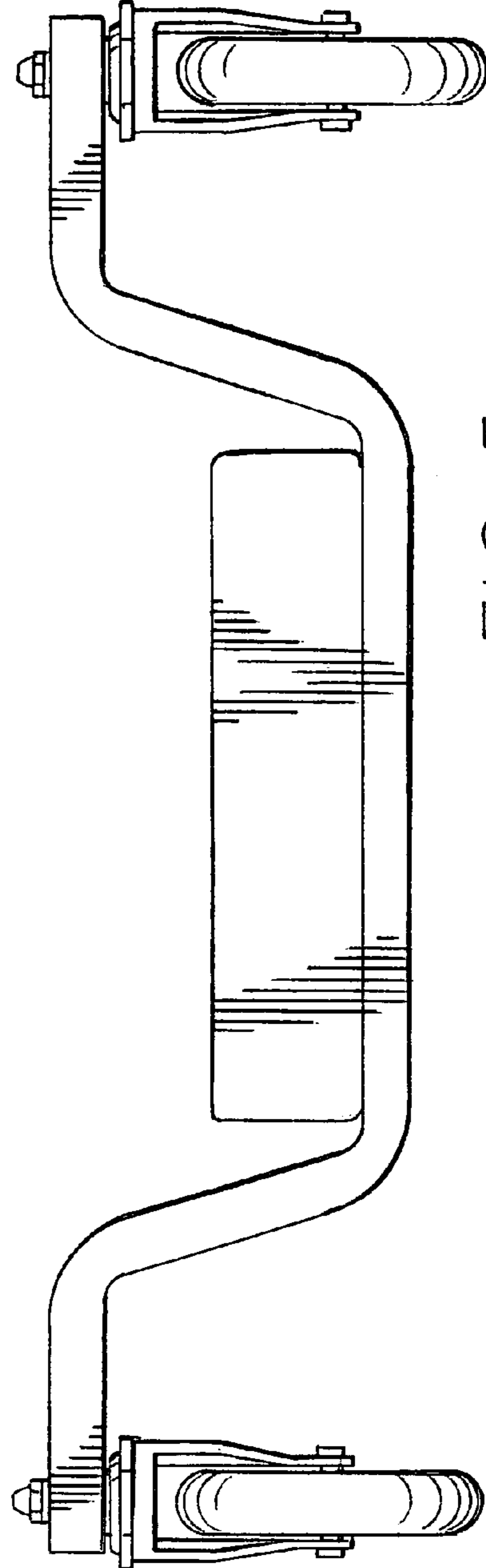


FIG. 5

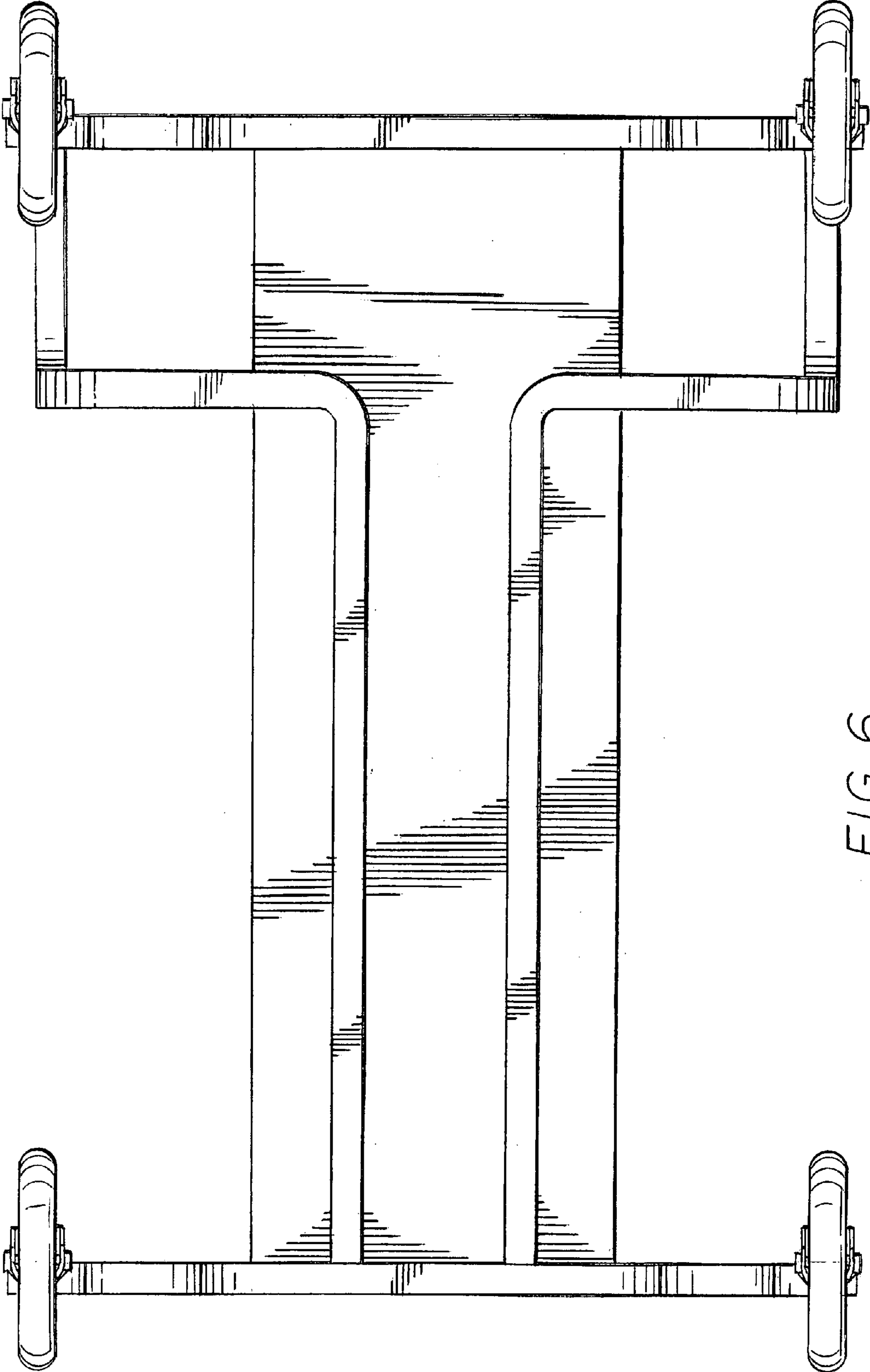


FIG. 6