



US00D556969S

(12) **United States Design Patent**
Duprey

(10) **Patent No.:** **US D556,969 S**

(45) **Date of Patent:** **** Dec. 4, 2007**

(54) **EDGE OF A DUSTPAN**

(76) Inventor: **John F. Duprey**, 807 Sixth St.,
Watervliet, NY (US) 12189

(**) Term: **14 Years**

(21) Appl. No.: **29/200,621**

(22) Filed: **Mar. 3, 2004**

(51) **LOC (8) Cl.** **07-05**

(52) **U.S. Cl.** **D32/74; D25/164**

(58) **Field of Classification Search** D32/74,
D32/46-47, 40; D8/10; D25/164; 15/157.1-157.9;
294/1.3-1.5, 55-56, 54.5; 81/45

See application file for complete search history.

(56) **References Cited**

U.S. PATENT DOCUMENTS

1,345,627	A *	7/1920	Overbury	52/555
2,563,223	A	8/1951	Dreher		
D180,209	S *	4/1957	Tupper	D32/74
2,812,784	A *	11/1957	Palmer	141/98
3,232,505	A *	2/1966	Wyant	225/18
3,917,333	A	11/1975	Grattan		
D345,238	S	3/1994	Berti		
D347,497	S	5/1994	VanSkiver		
5,325,565	A	7/1994	Suzuki		
5,473,790	A	12/1995	Desmarais		
D381,155	S *	7/1997	Powers	D32/74
5,738,399	A	4/1998	Mitchell		
D426,322	S *	6/2000	Anderson et al.	D25/164

6,234,549	B1	5/2001	Brownell
6,237,181	B1	5/2001	Onnuffer
6,249,930	B1	6/2001	Noggle
D466,262	S	11/2002	Chemtob
2002/0008392	A1	1/2002	Harrison
2002/0088075	A1	7/2002	Cann

FOREIGN PATENT DOCUMENTS

JP 8-98790 4/1996

* cited by examiner

Primary Examiner—Pamela J. Burgess

(74) *Attorney, Agent, or Firm*—Richard C. Litman

(57) **CLAIM**

The ornamental design for an edge of a dustpan, as shown and described.

DESCRIPTION

FIG. 1 is a perspective view of an edge of a dustpan showing my new design;

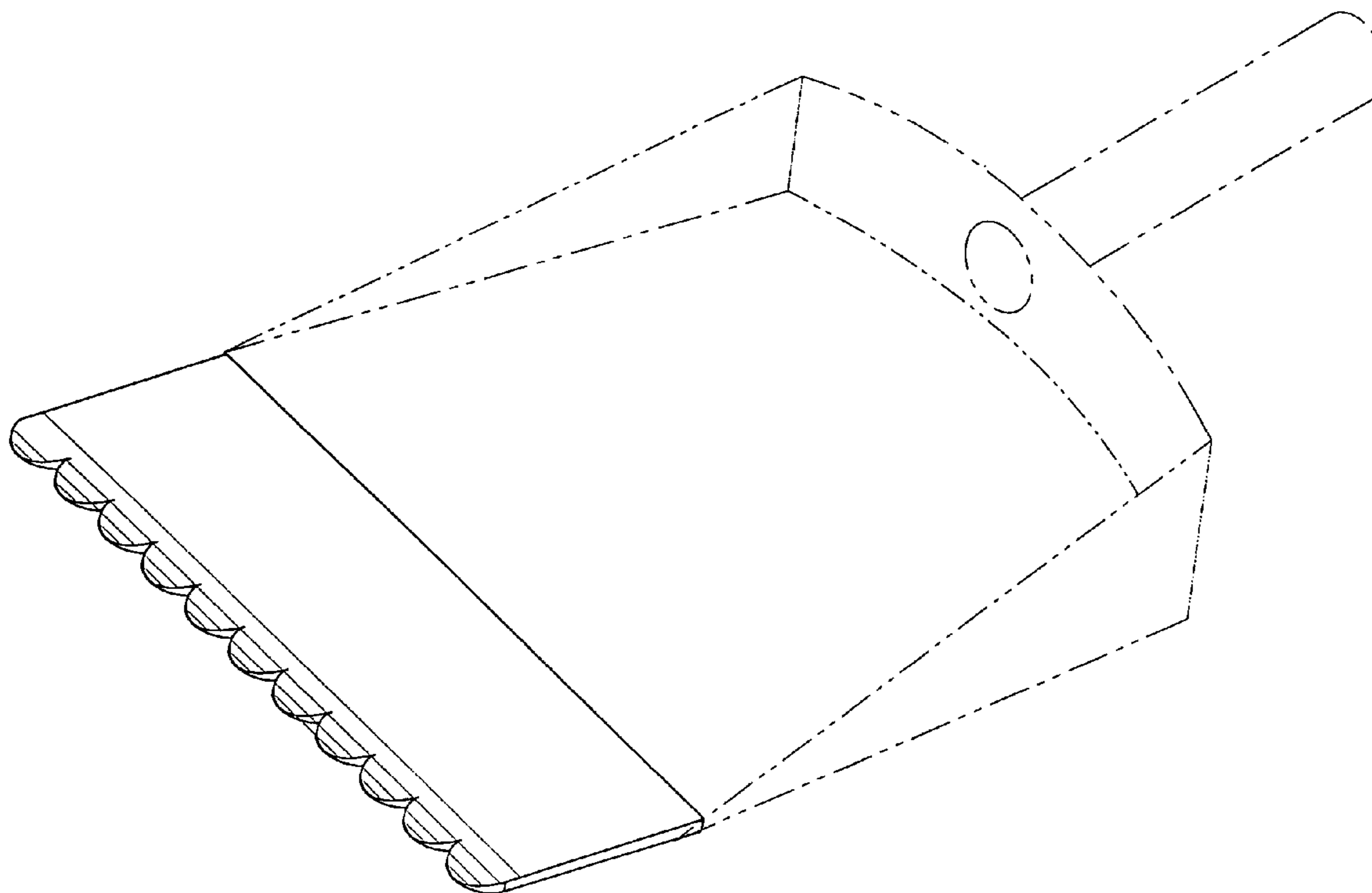
FIG. 2 is a top plan view thereof;

FIG. 3 is a left side elevational view thereof, the right side elevational view being a mirror image; and,

FIG. 4 is a front elevational view thereof.

The broken line showing of the body of a dustpan is for illustrative purposes only and forms no part of the claimed design.

1 Claim, 4 Drawing Sheets



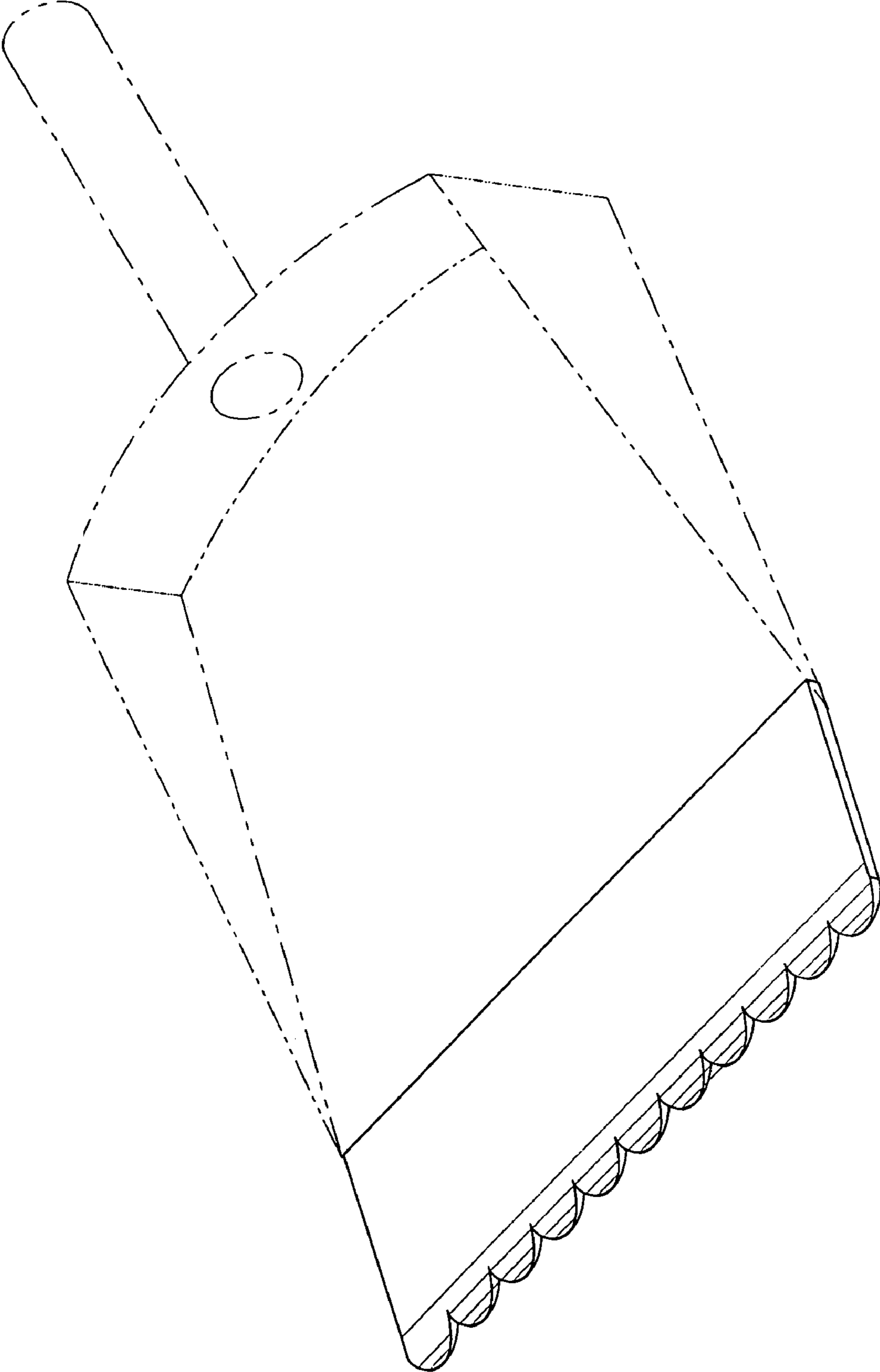


Fig. 1

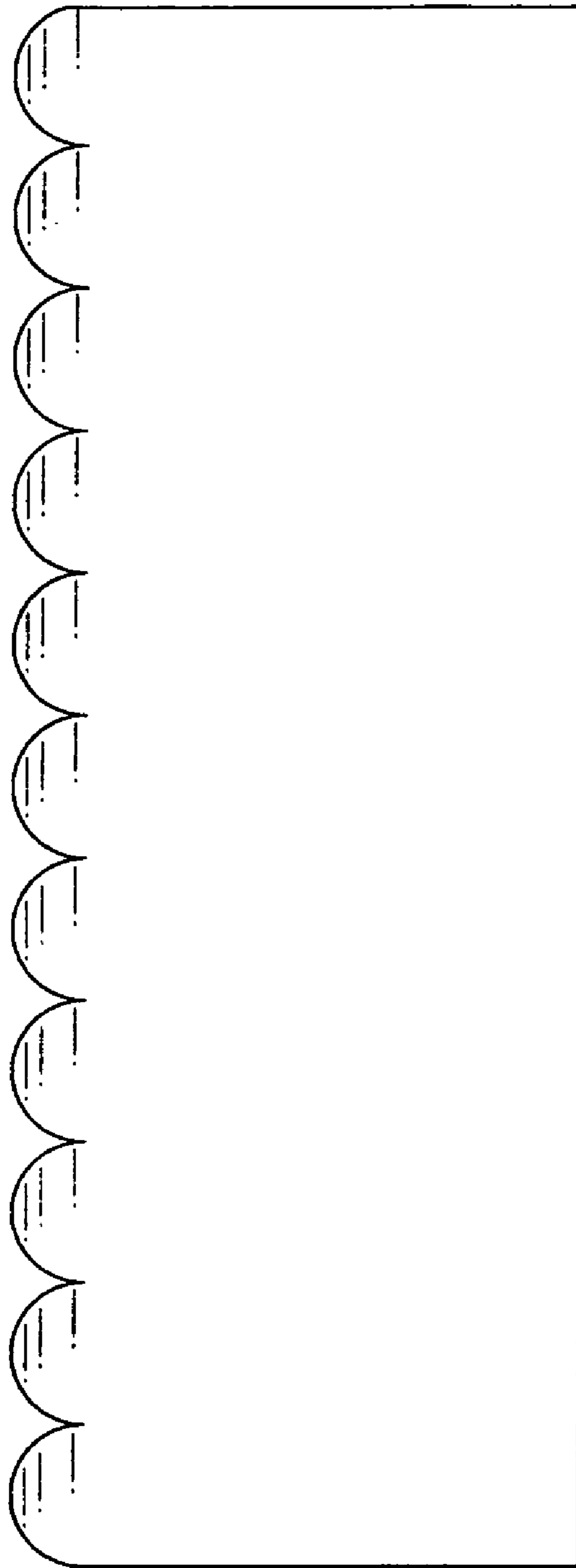


Fig. 2



Fig. 3

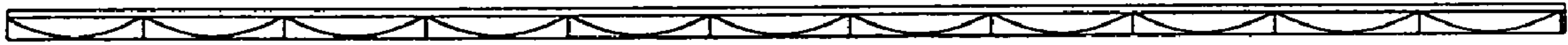


Fig. 4