



US00D556964S

(12) **United States Design Patent**  
**Song et al.**

(10) **Patent No.:** **US D556,964 S**

(45) **Date of Patent:** **\*\* Dec. 4, 2007**

(54) **SUCTION NOZZLE FOR VACUUM CLEANER**

D507,389 S \* 7/2005 Kalman et al. .... D32/32  
D524,498 S \* 7/2006 Luebbering et al. .... D32/32  
D537,587 S \* 2/2007 Scheifele et al. .... D32/32

(75) Inventors: **Seung Hyun Song**, Seoul (KR); **Kye Young Chung**, Seoul (KR)

(73) Assignee: **LG Electronics Inc.**, Seoul (KR)

\* cited by examiner

(\*\*) Term: **14 Years**

*Primary Examiner*—Ruth McInroy

(21) Appl. No.: **29/264,484**

(74) *Attorney, Agent, or Firm*—Birch, Stewart, Kolasch & Birch, LLP

(22) Filed: **Aug. 11, 2006**

(57) **CLAIM**

(30) **Foreign Application Priority Data**

We claim the ornamental design for a suction nozzle for vacuum cleaner, as shown and described.

Feb. 14, 2006 (KR) ..... 30-2006-0005517

(51) **LOC (8) Cl.** ..... **15-05**

**DESCRIPTION**

(52) **U.S. Cl.** ..... **D32/32**

(58) **Field of Classification Search** ..... D32/21–24,  
D32/31–33, 40–42, 45, 50–51; 15/244.1,  
15/209.1, 228, 350–353, 361, 320–322, 400–401,  
15/412–414, 415.1–422, 422.1, 327.1–327.7;  
D12/204–213; D21/779, 563; 401/138,  
401/268

FIG. 1 is a perspective view of a suction nozzle for vacuum cleaner showing our new design;

FIG. 2 is a front view thereof;

FIG. 3 is a rear view thereof;

FIG. 4 is a left side view thereof;

FIG. 5 is a right side view thereof;

FIG. 6 is a top plan view thereof; and,

FIG. 7 is a bottom plan view thereof.

See application file for complete search history.

(56) **References Cited**

**U.S. PATENT DOCUMENTS**

D499,518 S \* 12/2004 Downey et al. .... D32/32

**1 Claim, 5 Drawing Sheets**

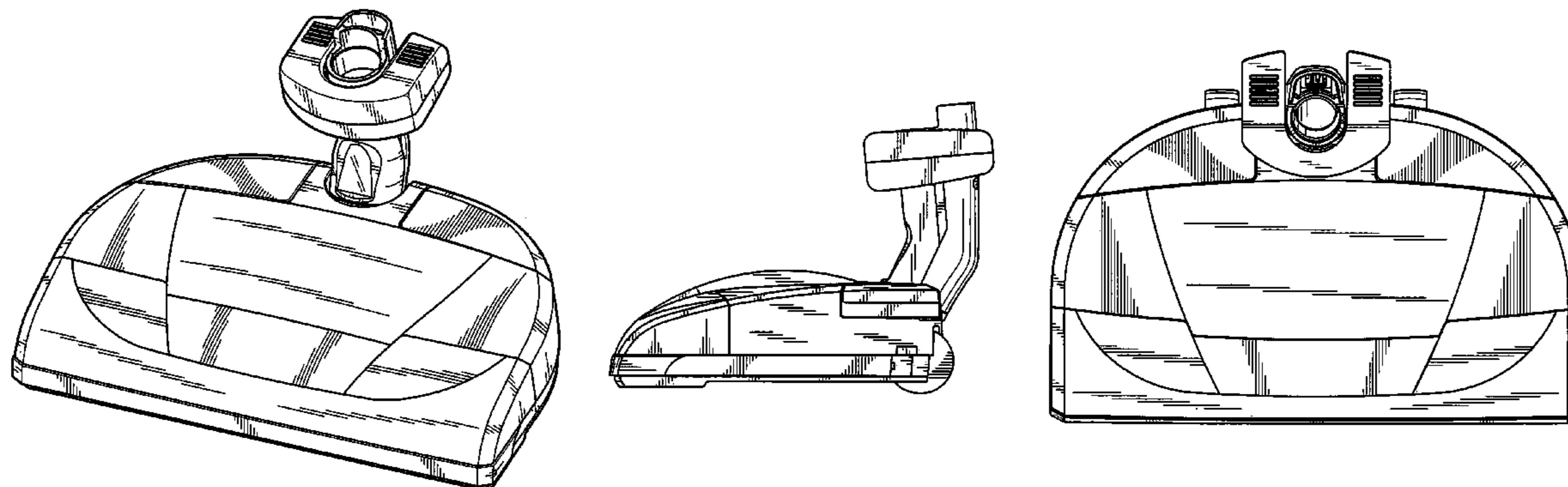


FIG. 1

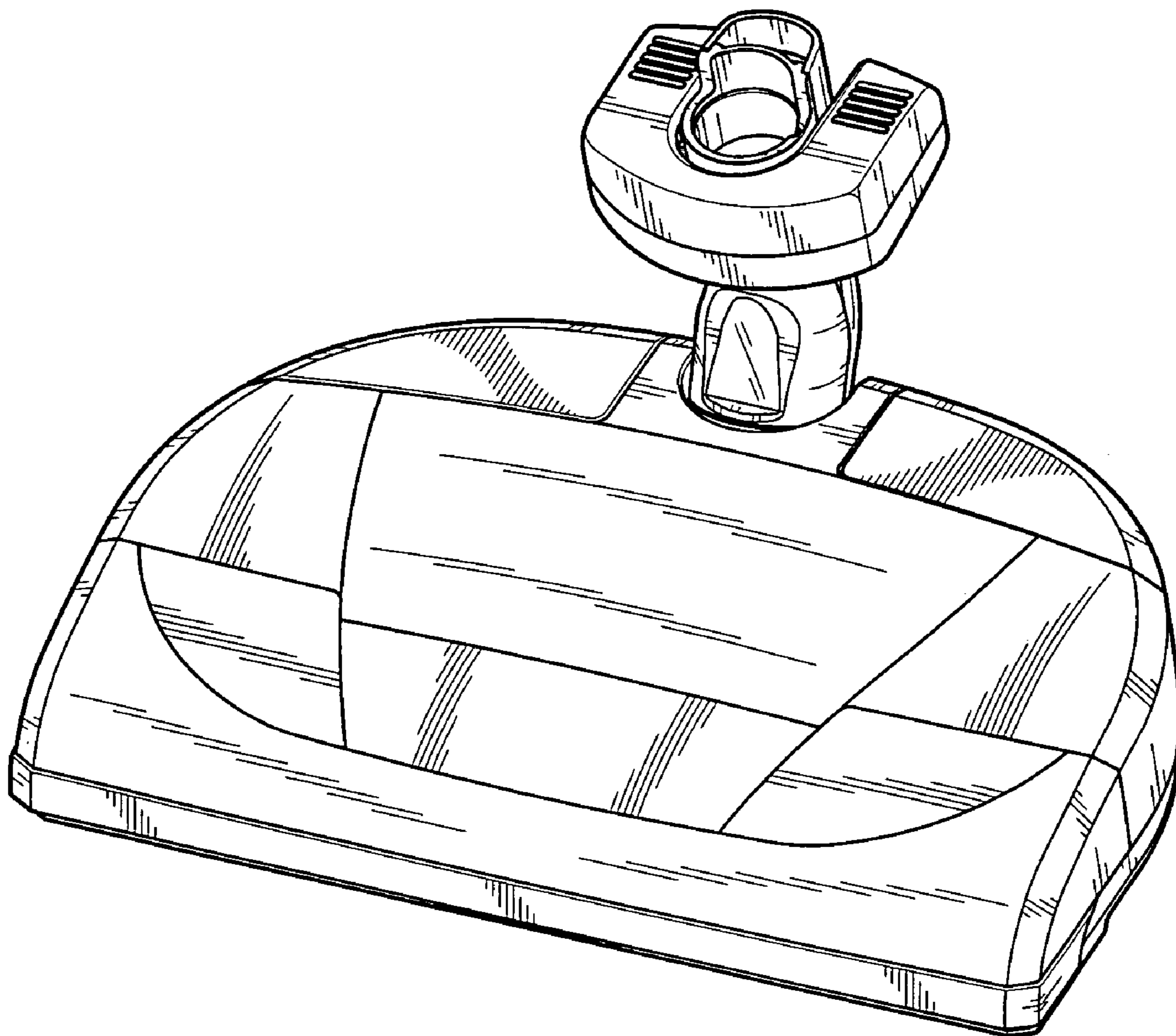


FIG. 2

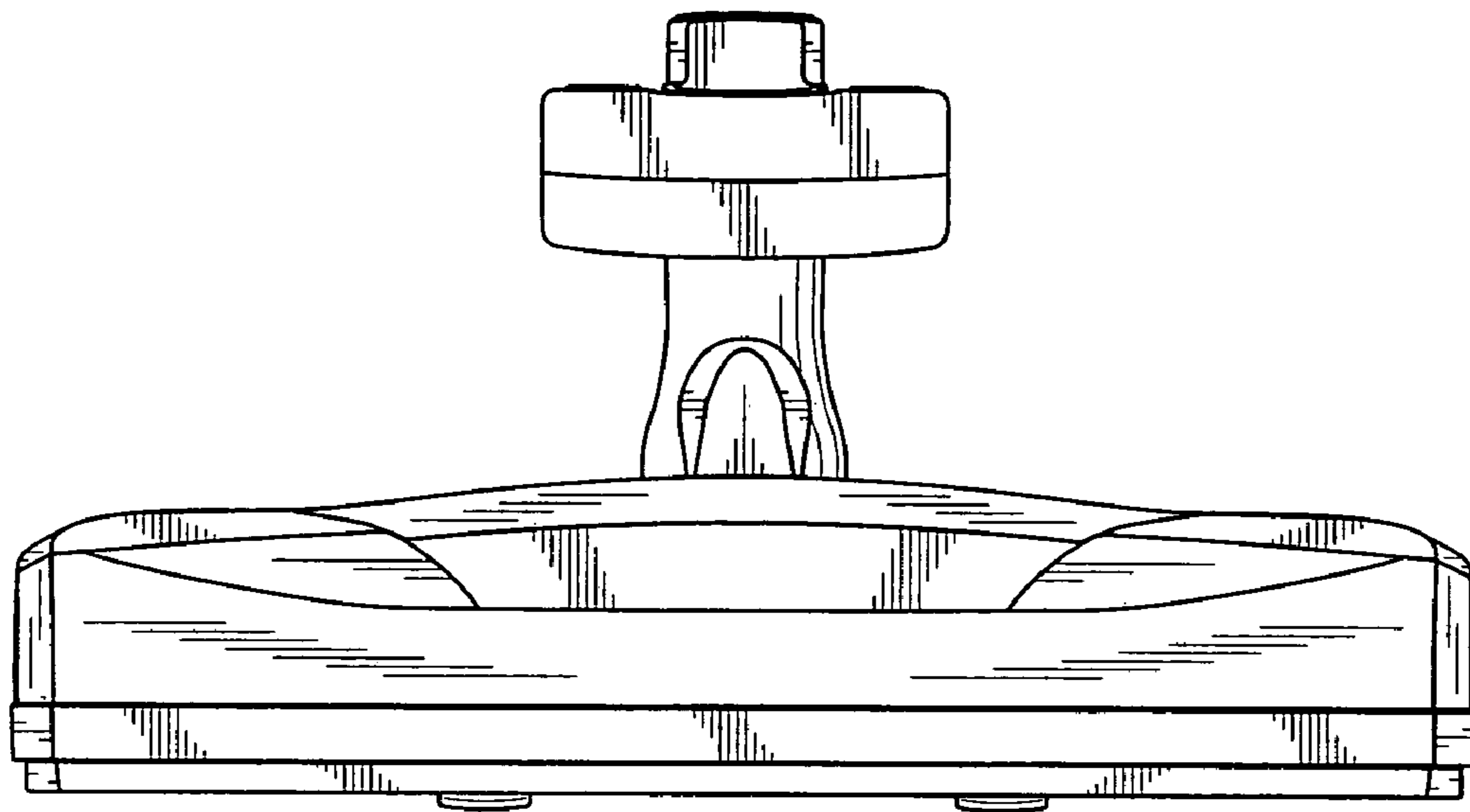


FIG. 3

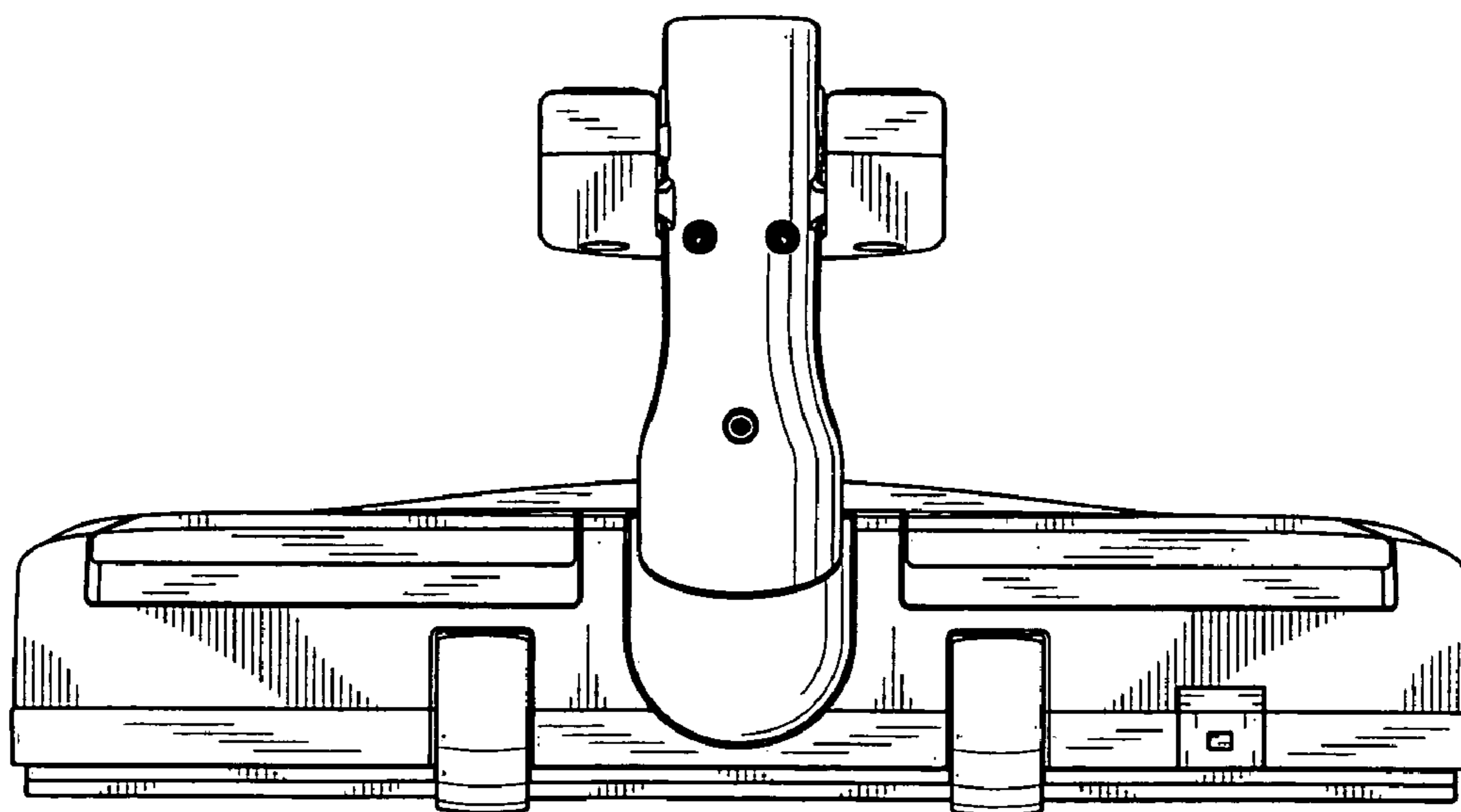


FIG. 4

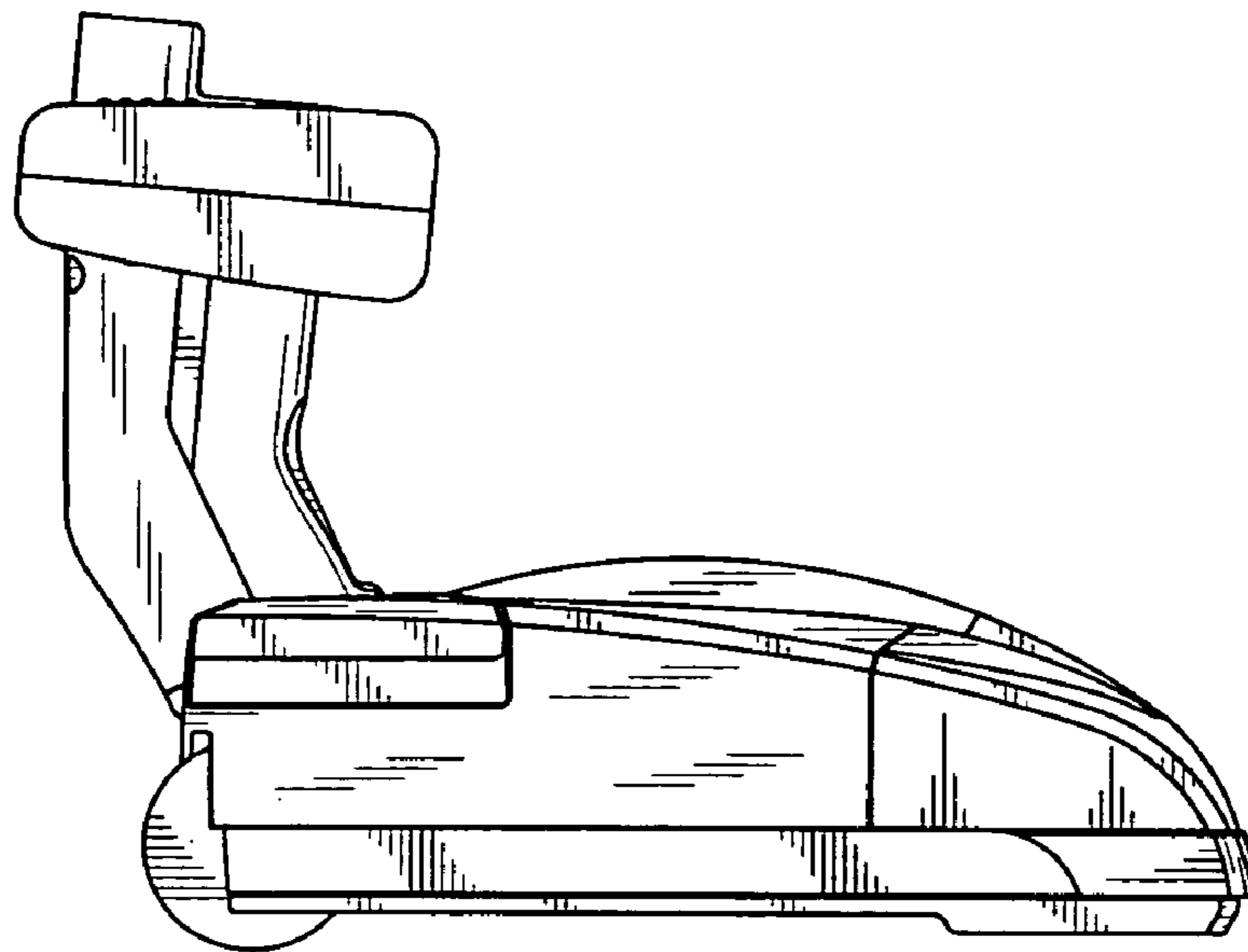


FIG. 5

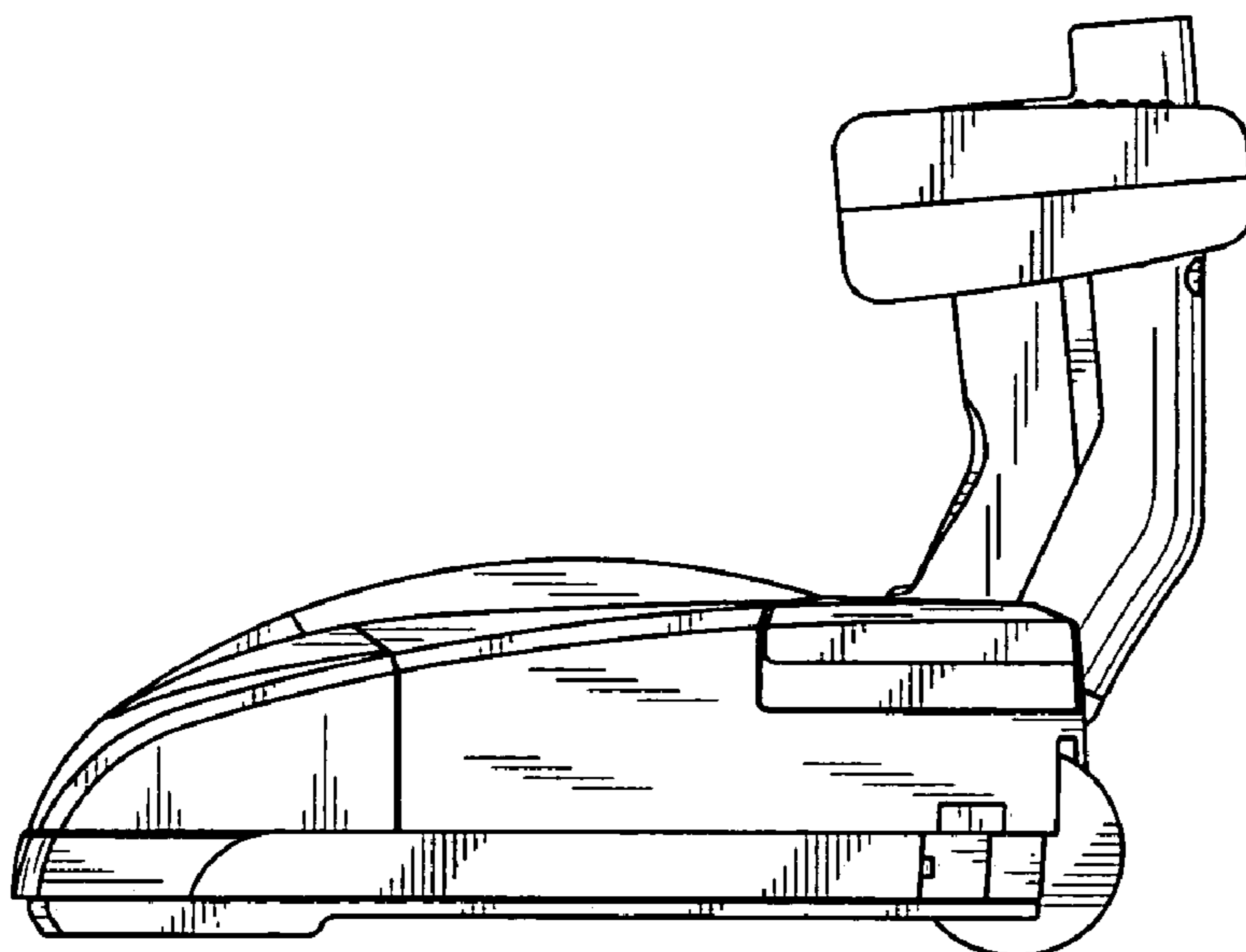


FIG. 6

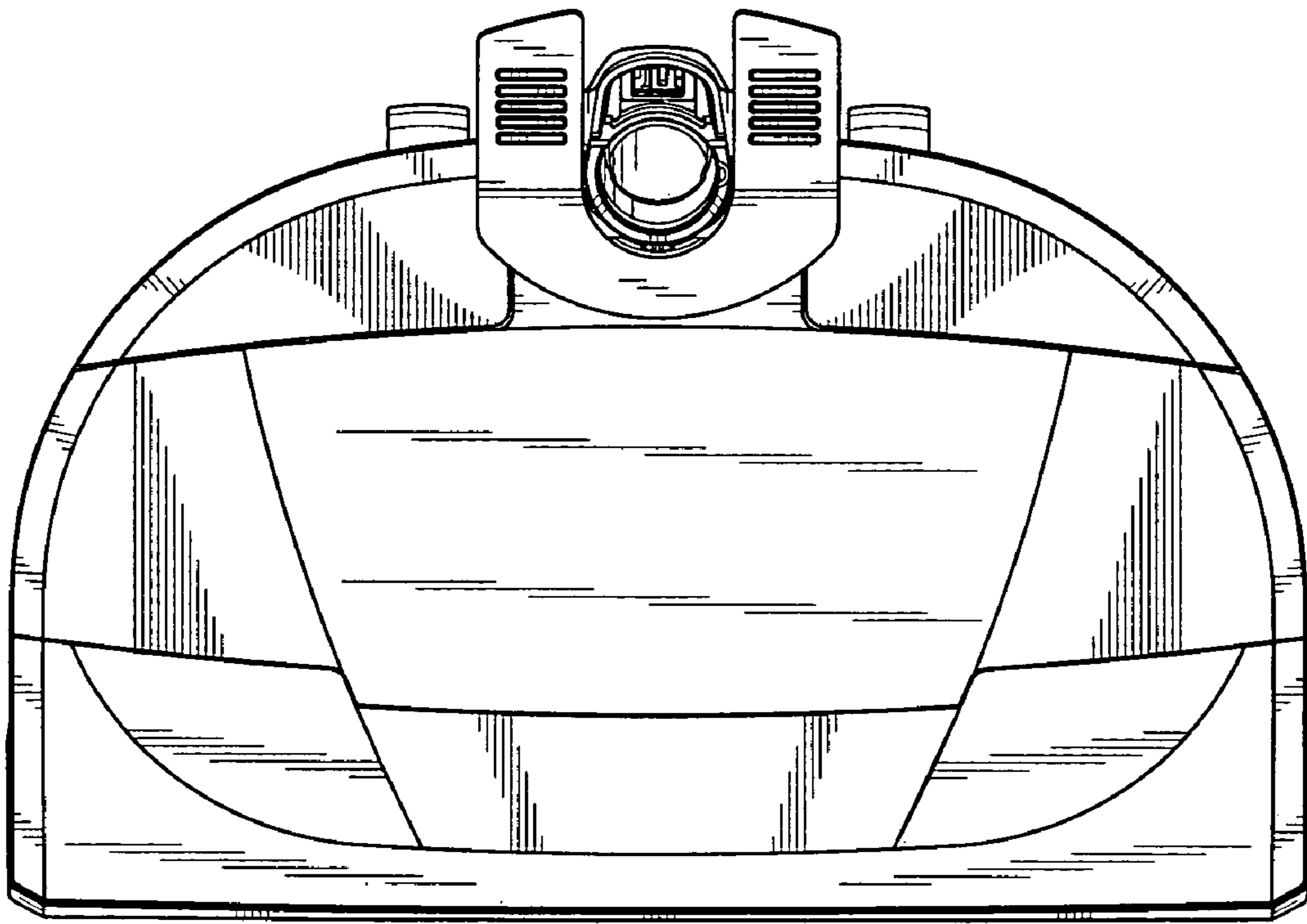


FIG. 7

