



US00D556963S

(12) **United States Design Patent**
Houghton

(10) **Patent No.:** **US D556,963 S**

(45) **Date of Patent:** **** Dec. 4, 2007**

(54) **FLOOR HEAD FOR A VACUUM CLEANER**

(75) Inventor: **Stephen Houghton**, High West
Jesmond (GB)

(73) Assignee: **Black & Decker Inc.**, Newark, DE
(US)

(**) Term: **14 Years**

(21) Appl. No.: **29/263,248**

(22) Filed: **Jul. 19, 2006**

(30) **Foreign Application Priority Data**

Feb. 6, 2006 (EM) 000474697

(51) **LOC (8) Cl.** **15-05**

(52) **U.S. Cl.** **D32/32**

(58) **Field of Classification Search** D32/21-24,
D32/31-33, 40-42, 45, 50-51; 15/244.1,
15/209.1, 228, 350-353, 361, 320-322, 400-401,
15/412-414, 415.1-422, 422.1, 327.1-327.7;
D12/204-213; D21/779, 563; 401/138,
401/268

See application file for complete search history.

(56) **References Cited**

U.S. PATENT DOCUMENTS

D333,021 S * 2/1993 Breur D32/32

D443,120 S * 5/2001 Choi D32/32
D456,967 S * 5/2002 Santiago D32/32
D457,696 S * 5/2002 Worwag D32/32
D487,827 S * 3/2004 Iike et al. D32/32
D487,828 S * 3/2004 Iike et al. D32/32
D507,854 S * 7/2005 Kim D32/32
D543,669 S * 5/2007 Ikeno et al. D32/32

* cited by examiner

Primary Examiner—Ruth McInroy

(74) *Attorney, Agent, or Firm*—John Yun; Bruce S. Shapiro;
Wesley Muller

(57) **CLAIM**

The ornamental design for a floor head for a vacuum cleaner,
as shown and described.

DESCRIPTION

FIG. 1 is a front view of a floor head for a vacuum cleaner
showing my new design;

FIG. 2 is a rear view thereof;

FIG. 3 is a left side view thereof;

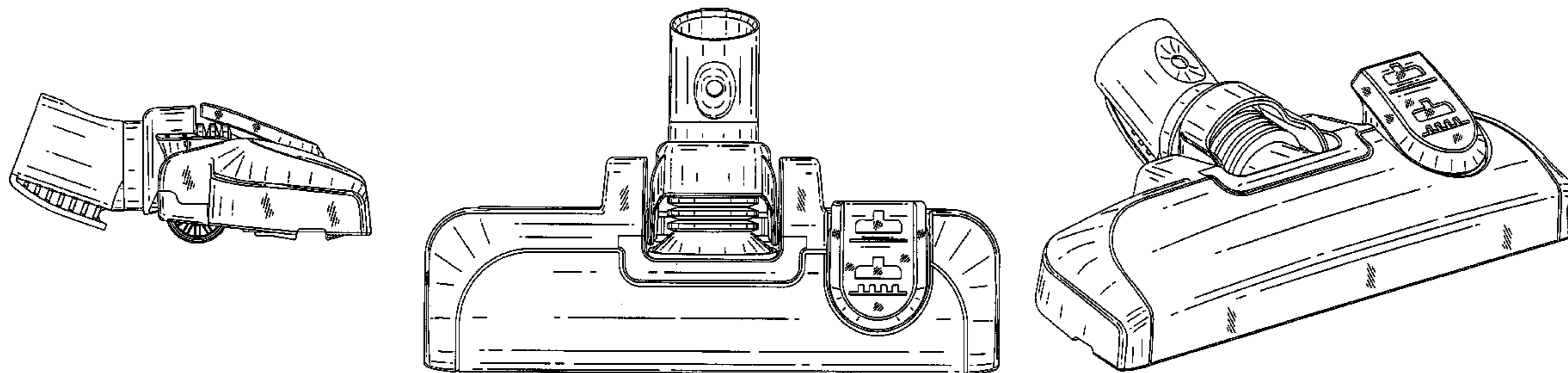
FIG. 4 is a right side view thereof;

FIG. 5 is a top view thereof;

FIG. 6 is a bottom view thereof; and,

FIG. 7 is a perspective view thereof.

1 Claim, 6 Drawing Sheets



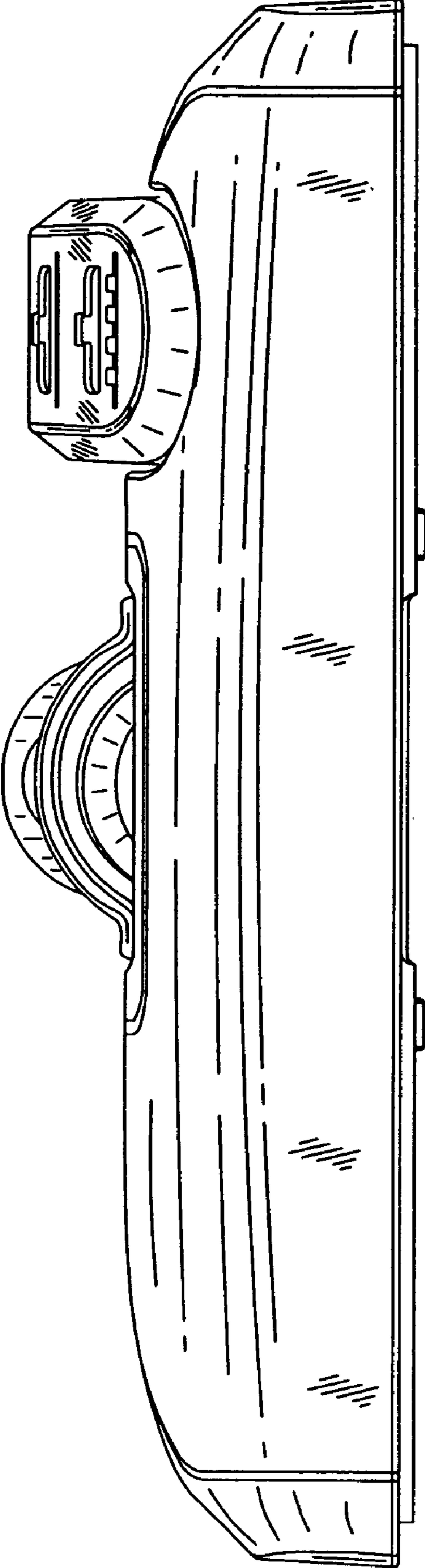


FIG.1

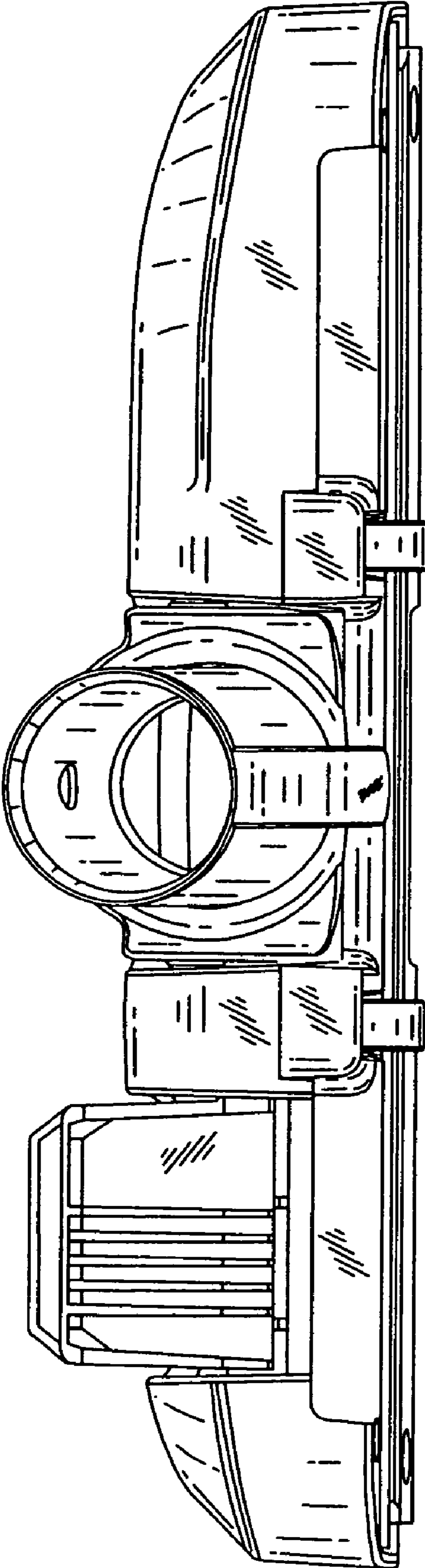


FIG.2

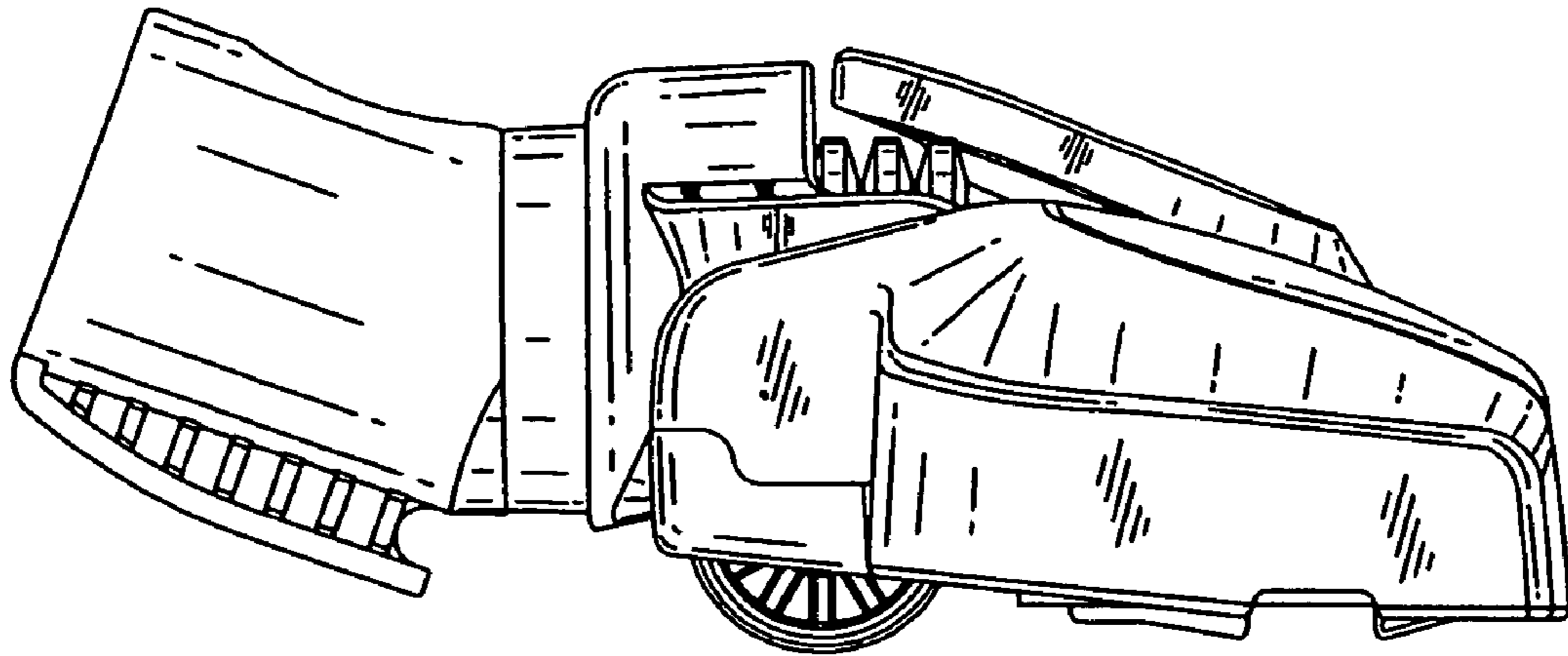


FIG. 3

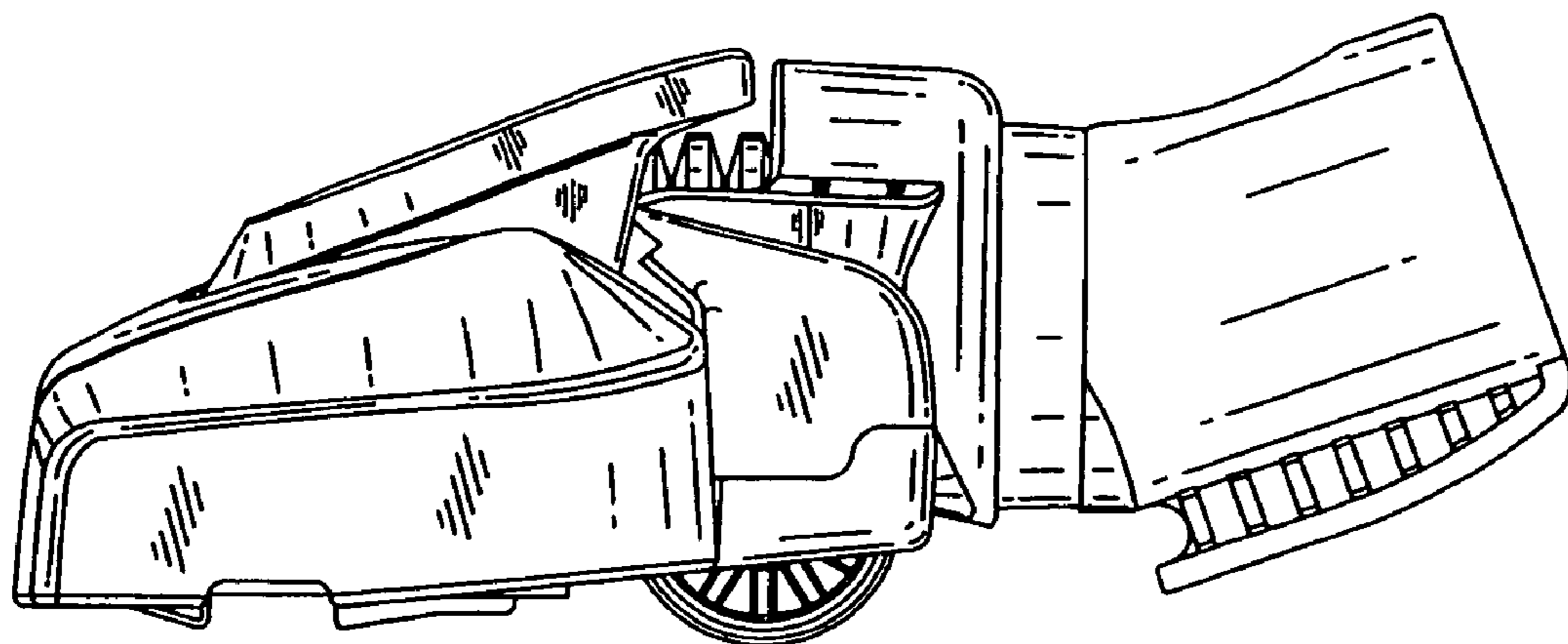


FIG. 4

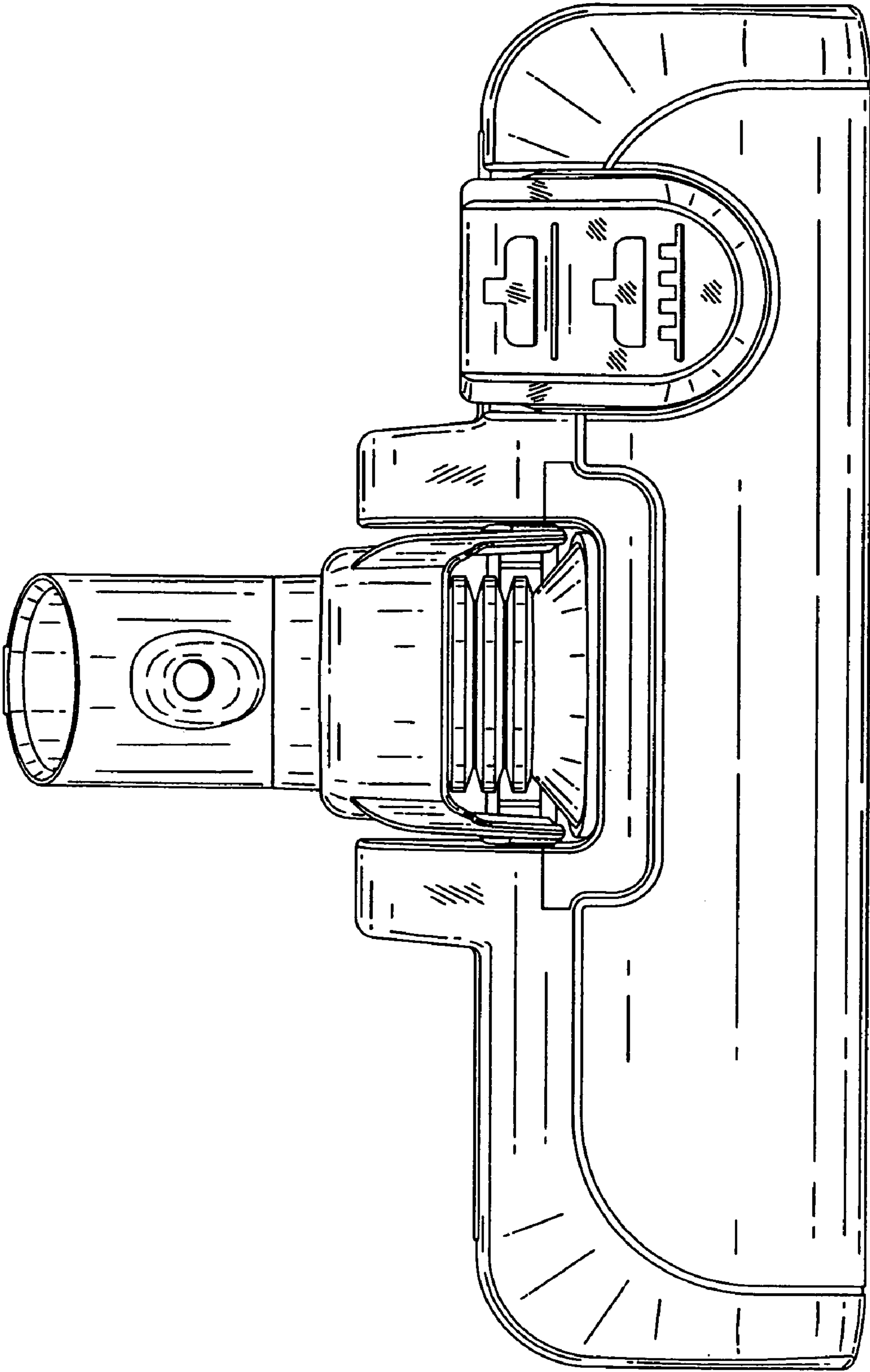


FIG.5

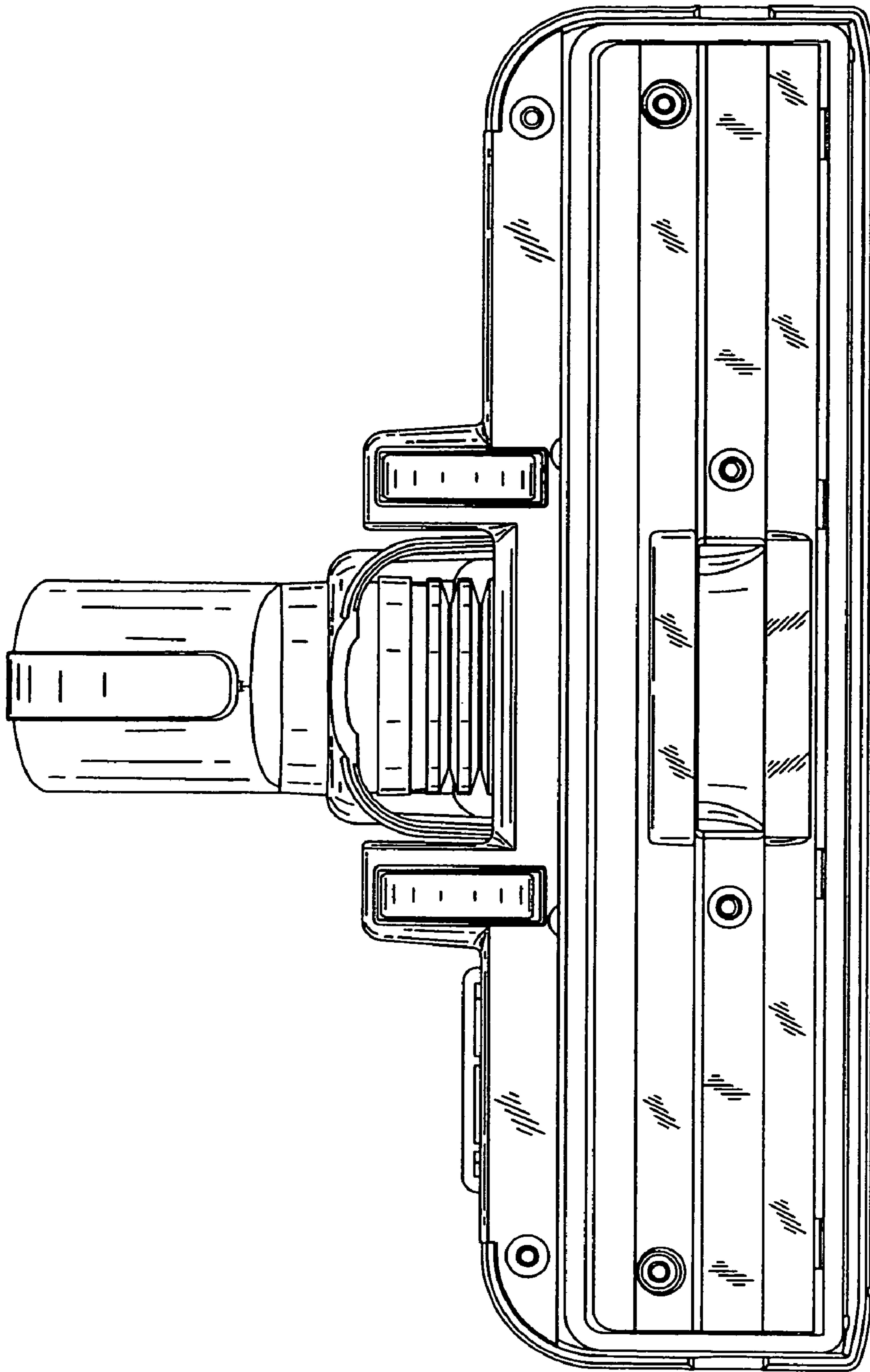


FIG.6

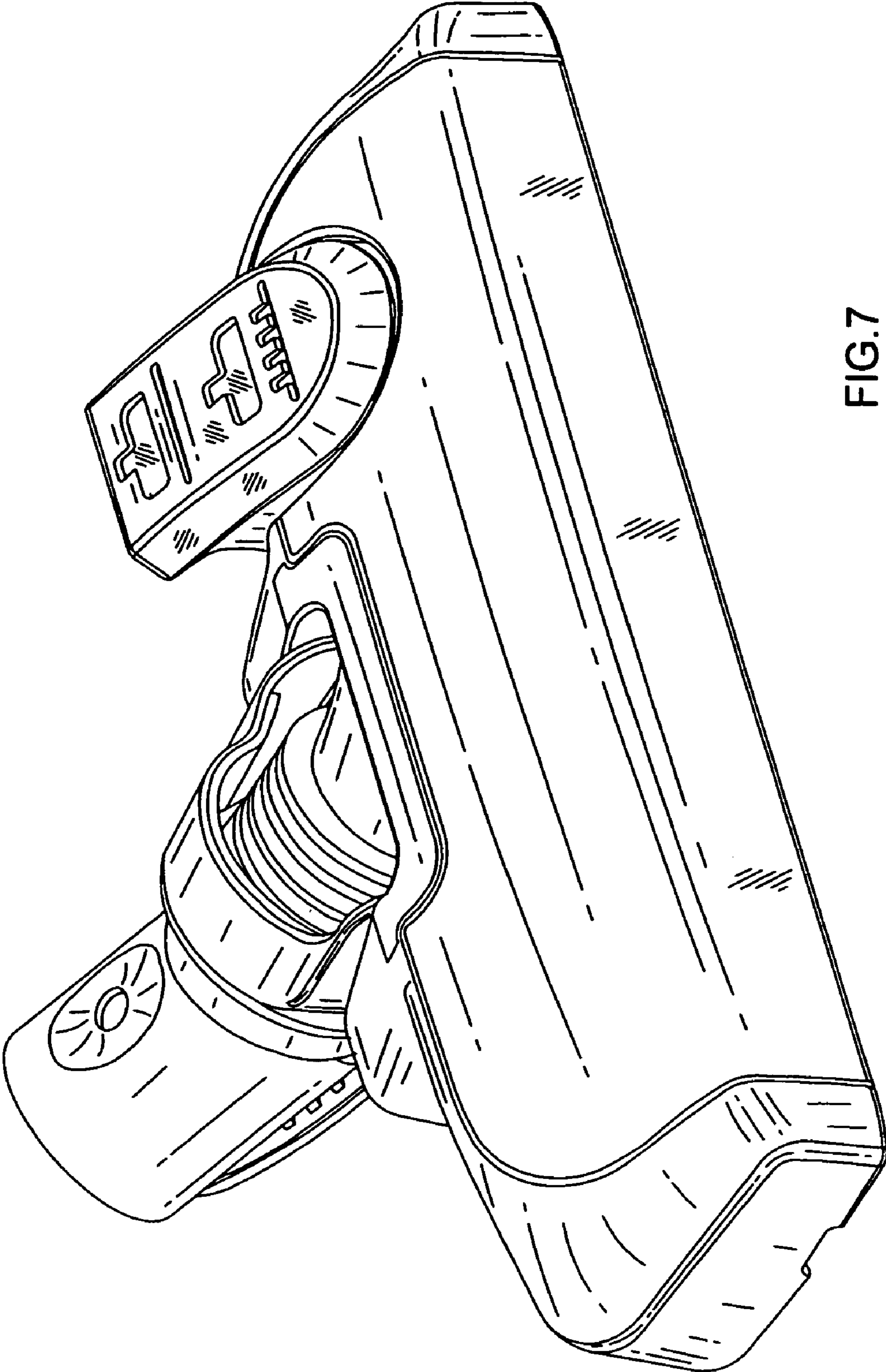


FIG.7