



US00D556961S

(12) **United States Design Patent** (10) **Patent No.:** **US D556,961 S**
Swyst et al. (45) **Date of Patent:** **** Dec. 4, 2007**

(54) **ROBOT**

(75) Inventors: **Thomas Swyst**, Arlington, MA (US);
Stephen A. Hickey, Somerville, MA (US)

(73) Assignee: **iRobot Corporation**, Burlington, MA (US)

(**) Term: **14 Years**

(21) Appl. No.: **29/250,033**

(22) Filed: **Oct. 31, 2006**

(51) **LOC (8) Cl.** **15-05**

(52) **U.S. Cl.** **D32/21; D15/199**

(58) **Field of Classification Search** D10/106;
D15/199; D32/21, 23-25, 31; 15/319, 327.1,
15/340.1, 340.3; 180/8.2, 169; 901/1
See application file for complete search history.

(56) **References Cited**

U.S. PATENT DOCUMENTS

D233,213	S	*	10/1974	Anderson	D32/31
5,050,264	A	*	9/1991	Breslin	15/327.1
D367,622	S	*	3/1996	DeWitt	D10/106
D375,592	S		11/1996	Ljunggren		
D422,521	S	*	4/2000	Morrow	D10/106
D474,312	S		5/2003	Stephens et al.		
D478,697	S	*	8/2003	Song	D32/25
D503,251	S		3/2005	Christianson		
D524,495	S	*	7/2006	Ljunggren	D32/21
D526,753	S	*	8/2006	Tani et al.	D32/21
D539,996	S		4/2007	Owens		
2005/0217042	A1		10/2005	Reindle		
2006/0196003	A1*		9/2006	Song et al.	15/319
2006/0230514	A1*		10/2006	Meincke	4/507
2006/0288519	A1*		12/2006	Jaworski et al.	15/340.1

OTHER PUBLICATIONS

Advertisement - UAMA (Asia) Industrial Co., Ltd., Robot Family (RV-2, RV-7, RV-9, RV-10, RV-11) (1 page).
Internet Product Advertisement, Global Sources, Matsutek Enterprises Co., Ltd. Automatic Recharheable (sic) Vacuum Cleaner, pp.

1-3, Retrieved on Apr. 23, 2007, <http://matsutek.manufacturing.globalsources.com/si/6008801427181/pdf1/Home~vacuum/10...> . . .
Advertisement - RoboKing Commercial Robot, 4 pages.
Device AA - Commercial Robot, 2 drawings.
Device AB - Commercial Robot, 2 drawings.
Device AC - Commercial Robot, 3 drawings.
Device AD - Commercial Robot, 2 drawings.
Device AE - Commercial Robot, 1 drawing.
Device AF - Commercial Robot, 1 drawing.
Device AG - Commercial Robot, 2 drawings.
Device AH - Commercial Robot, 3 drawings.
Device AI - Commercial Robot, 4 drawings.
Device AJ - Commercial Robot, 1 drawing.
Device AK - Commercial Robot, 1 drawing.
Device AL - Commercial Robot, 1 drawing.
Device AM - Commercial Robot, 1 drawing.
Device AN - Commercial Robot, 4 drawings.
Device AO - Commercial Robot, 2 drawings.
Device AP - Commercial Robot, 1 drawing.

(Continued)

Primary Examiner—Gary D. Watson
Assistant Examiner—Patricia Palasik
(74) *Attorney, Agent, or Firm*—Fish & Richardson P.C.

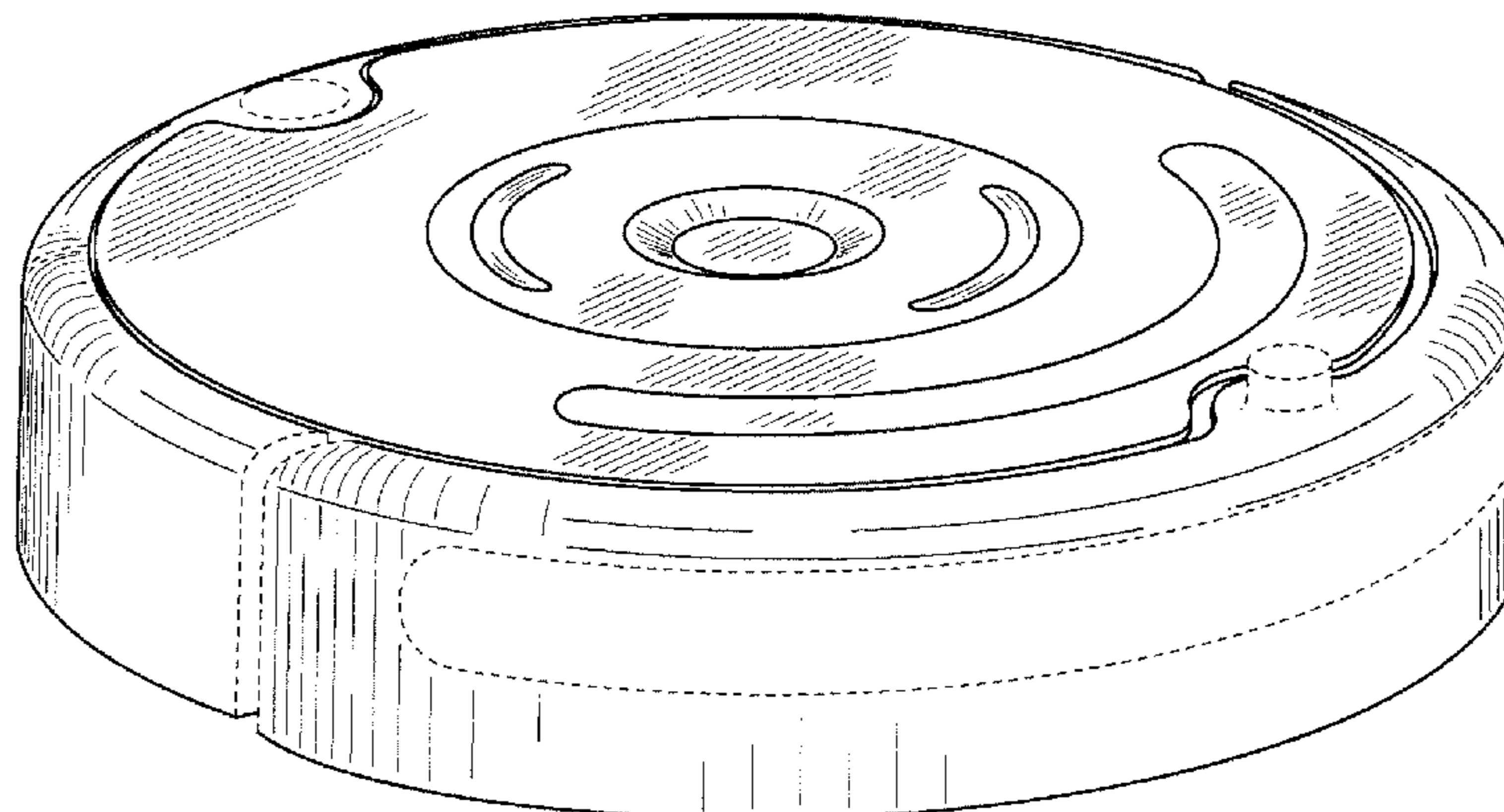
(57) **CLAIM**

The ornamental design for a robot, as shown and described.

DESCRIPTION

FIG. 1 is a perspective view of a robot from the side, showing our design;
FIG. 2 is a front view of the apparatus thereof;
FIG. 3 is a back view of the apparatus thereof;
FIG. 4 is a left side view of the apparatus thereof;
FIG. 5 is a right side view of the apparatus thereof;
FIG. 6 is a top plan view of the apparatus thereof; and,
FIG. 7 is a bottom plan view of the apparatus thereof.
The broken lines which define the bounds of the claimed design form no part thereof.

1 Claim, 4 Drawing Sheets



OTHER PUBLICATIONS

Device BA - Commercial Robot, 1 drawing.
Device BB - Commercial Robot, 1 drawing.
Device BC - Commercial Robot, 1 drawing.
Device BD - Commercial Robot, 1 drawing.
Device BE - Commercial Robot, 1 drawing.
Device BF - Commercial Robot, 1 drawing.
Device AQ - Commercial Robot, 2 drawings.
Device AR - Commercial Robot, 3 drawings.

Device AS - Commercial Robot, 1 drawing.
Device AT - Commercial Robot, 1 drawing.
Device AU - Commercial Robot, 1 drawing.
Device AV - Commercial Robot, 1 drawing.
Device AW - Commercial Robot, 1 drawing.
Device AX - Commercial Robot, 1 drawing.
Device AY - Commercial Robot, 1 drawing.
Device AZ - Commercial Robot, 1 drawing.

* cited by examiner

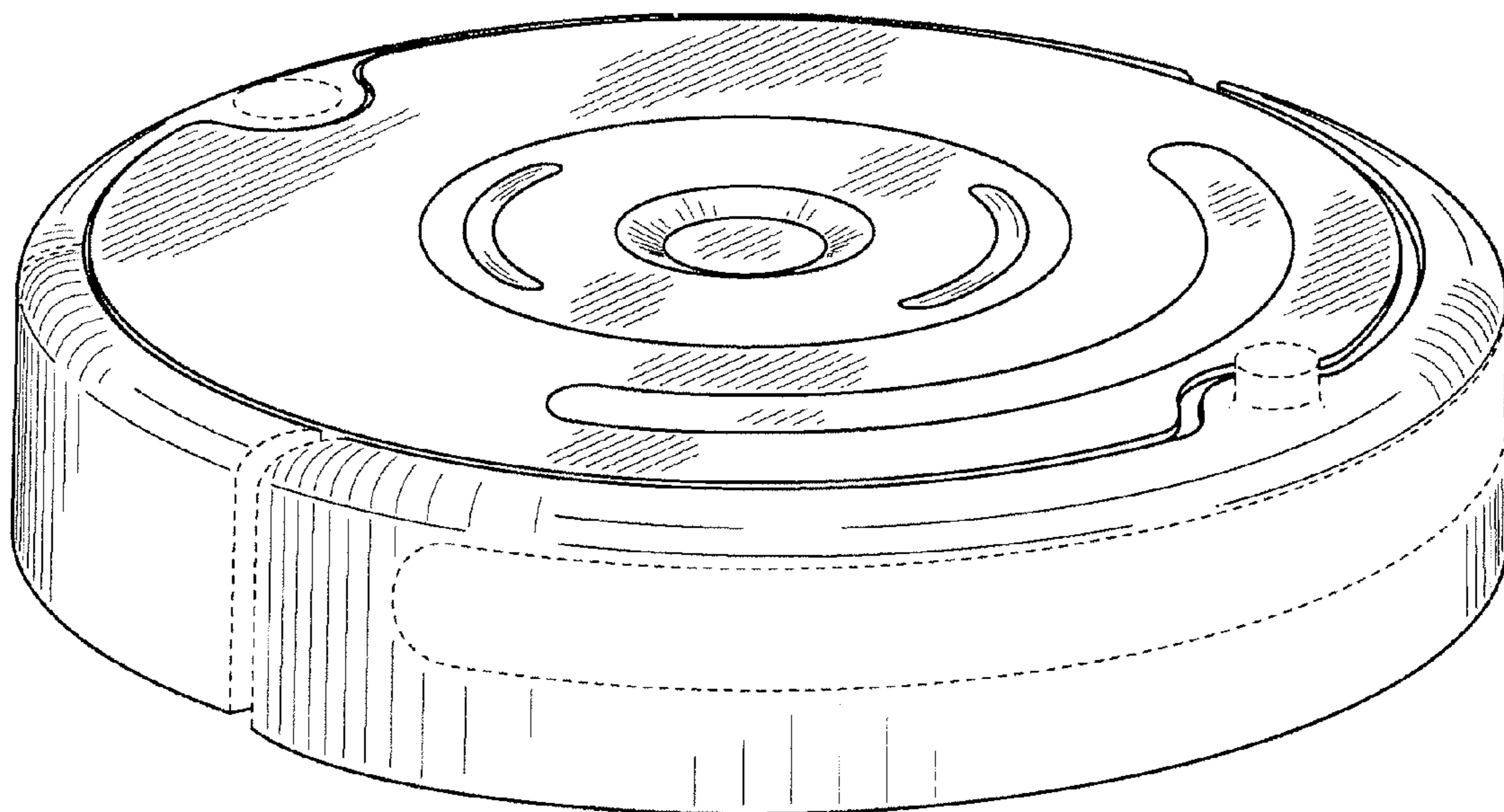


FIG. 1

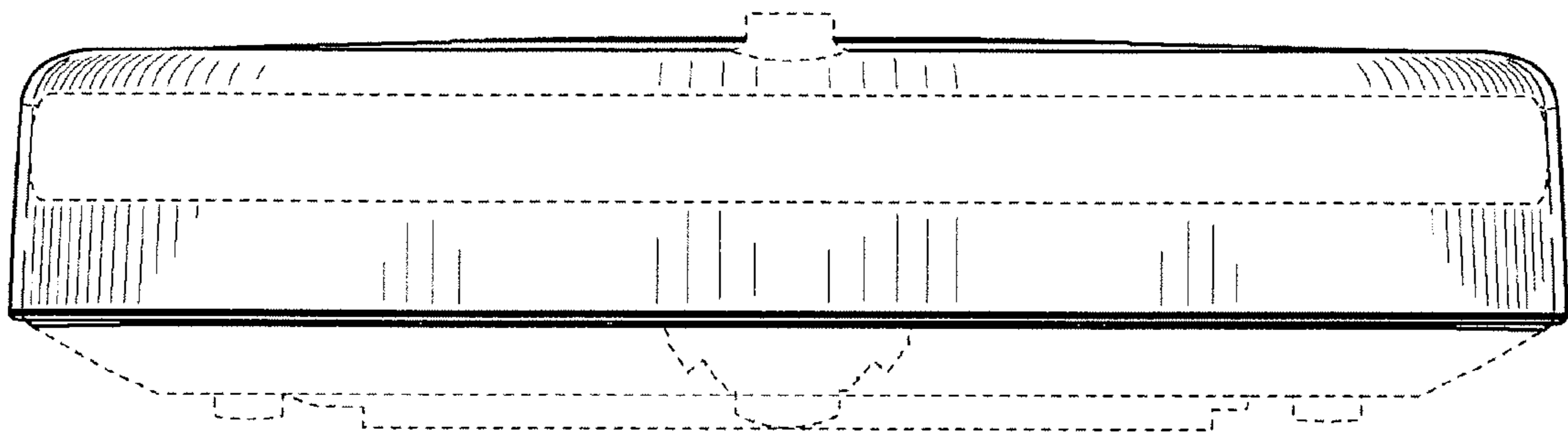


FIG. 2

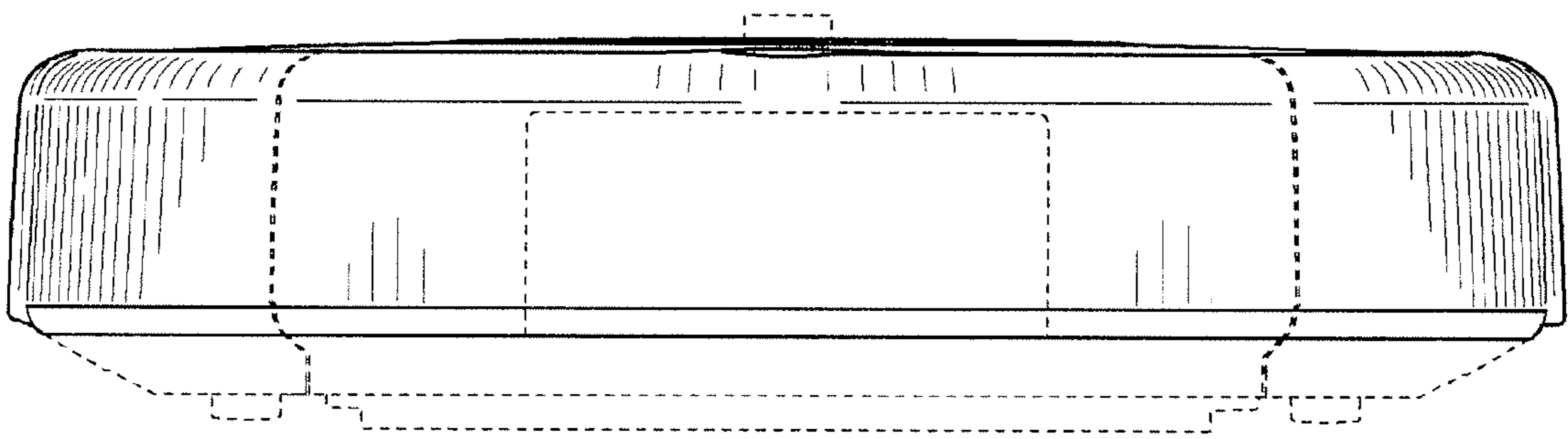


FIG. 3

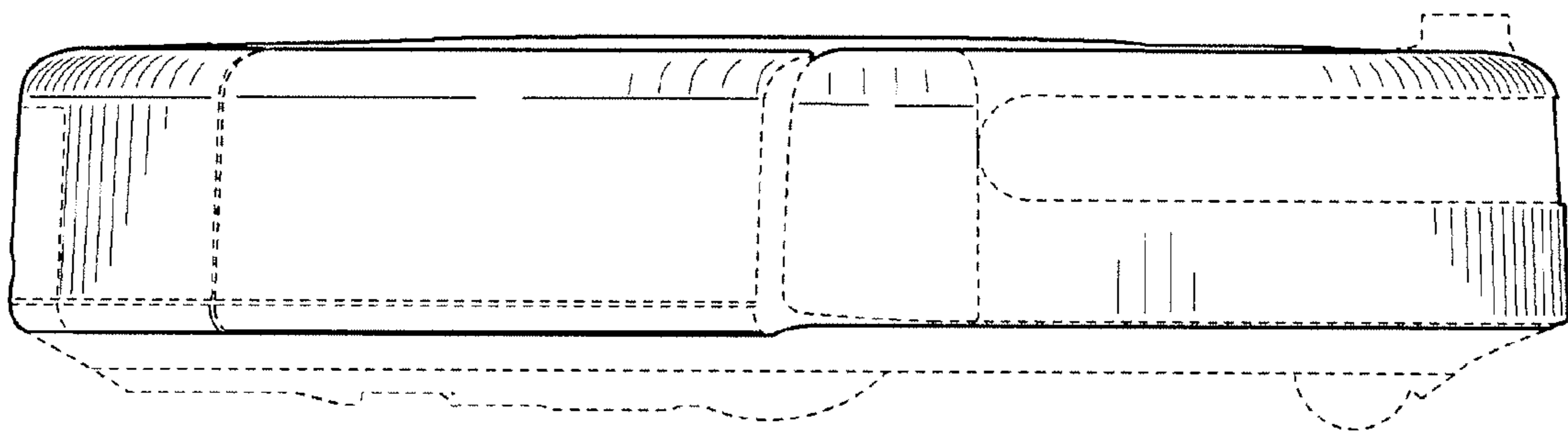


FIG. 4

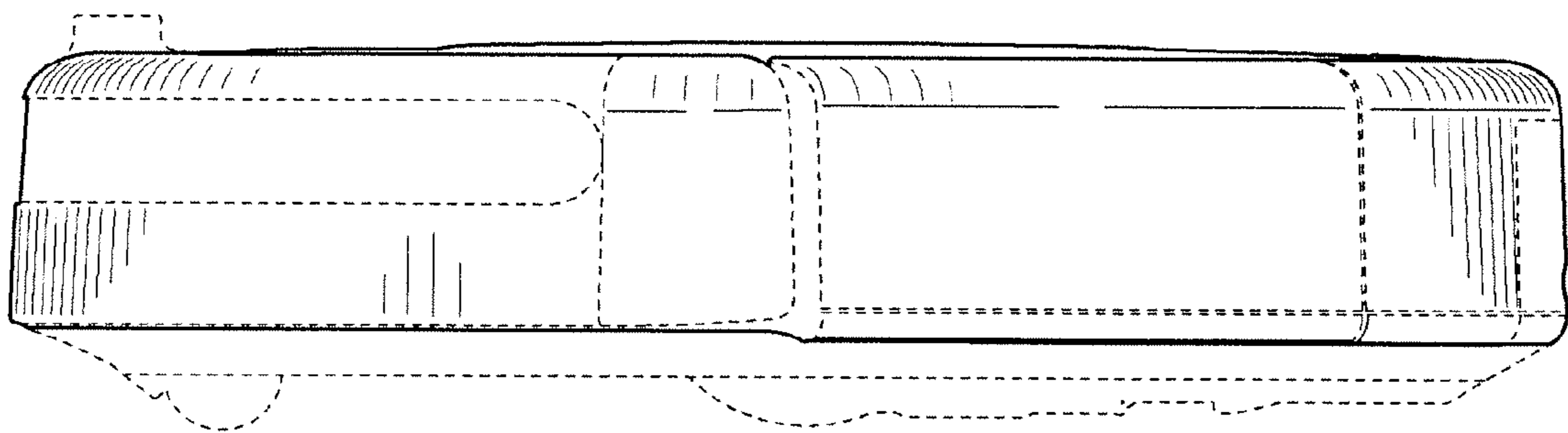


FIG. 5

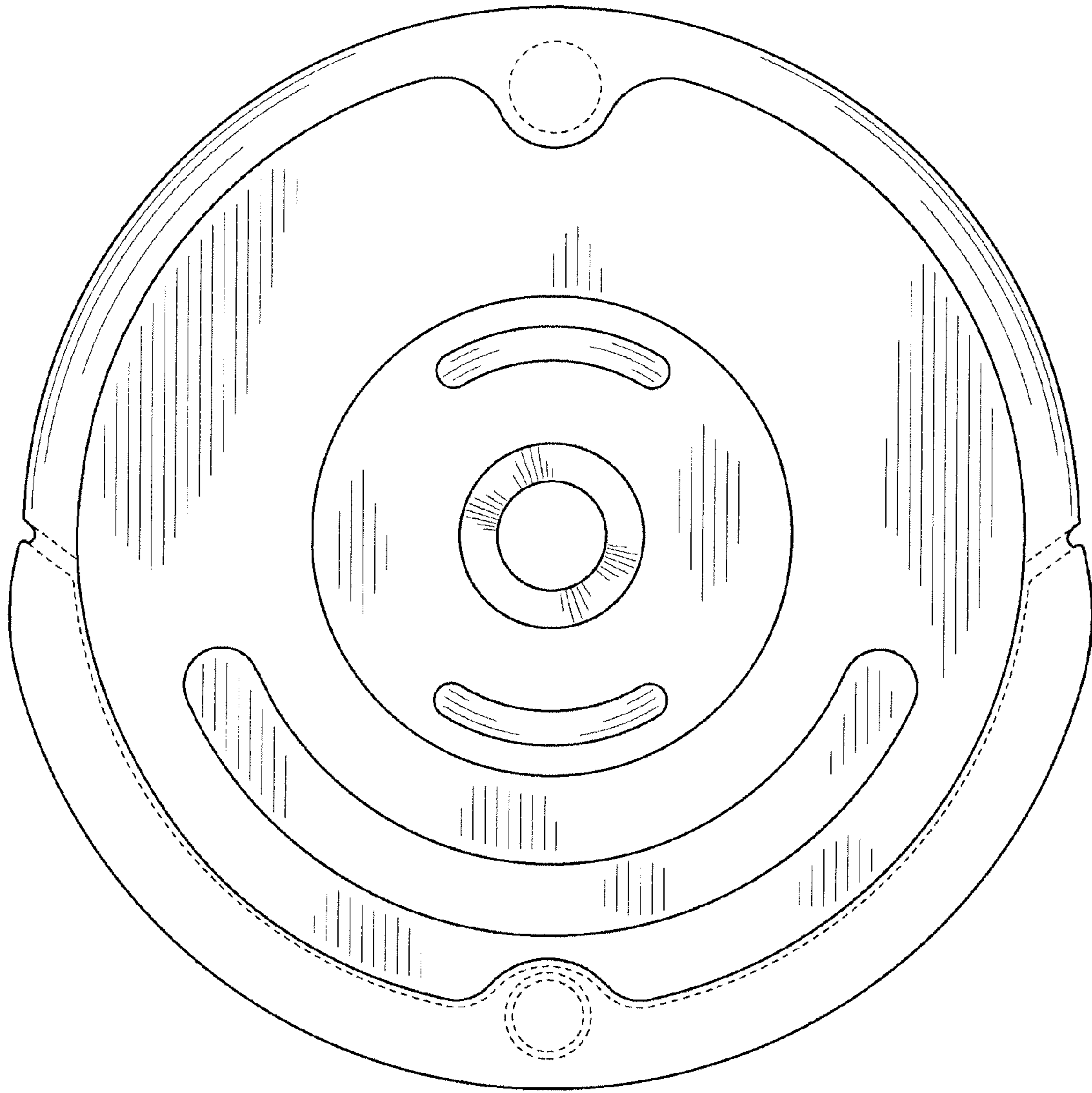


FIG. 6

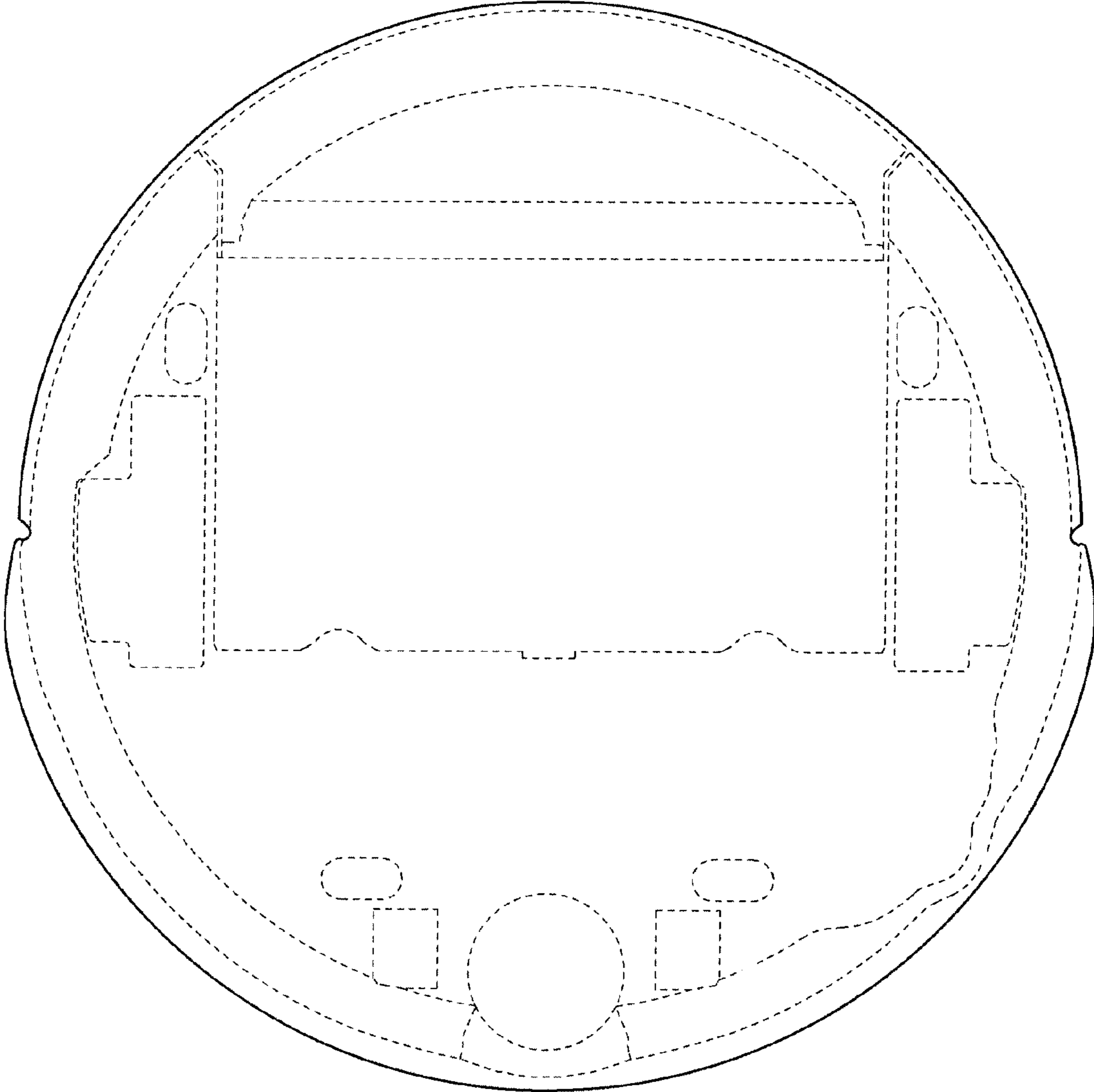


FIG. 7