



US00D556959S

(12) **United States Design Patent**
Li

(10) **Patent No.:** **US D556,959 S**

(45) **Date of Patent:** **** Dec. 4, 2007**

(54) **JET CLEANING MACHINE**

(76) Inventor: **Jianfang Li**, Guoxiangqiao Village,
Lanjiang Street, Yuyao City, Zhejiang
(CN) 315409

(**) Term: **14 Years**

(21) Appl. No.: **29/285,034**

(22) Filed: **Mar. 19, 2007**

(30) **Foreign Application Priority Data**

Sep. 18, 2006 (CN) 2006 3 0146805

(51) **LOC (8) Cl.** **15-05**

(52) **U.S. Cl.** **D32/15**

(58) **Field of Classification Search** D32/1,
D32/15, 16, 25, 21, 22, 31; D15/7; 134/103.2,
134/199, 200-201; 15/3, 320, 323, 332,
15/403

See application file for complete search history.

(56) **References Cited**

U.S. PATENT DOCUMENTS

- D481,838 S * 11/2003 Renner D32/15
- D488,596 S * 4/2004 Cattaneo D32/15
- D489,497 S * 5/2004 Cattaneo D32/15
- D489,498 S * 5/2004 Cattaneo D32/15
- D490,196 S * 5/2004 Lanfredi D32/15

- D490,948 S * 6/2004 Cattaneo D32/15
- D496,503 S * 9/2004 Chen D32/16
- D528,714 S * 9/2006 Hong D32/15
- D532,166 S * 11/2006 Reverberi D32/4

OTHER PUBLICATIONS

http://www.karcher-usa.com/images/pressurewashers/500x550/k_225_500x550.jpg Jul. 26, 2007.*

* cited by examiner

Primary Examiner—Stella M. Reid

Assistant Examiner—Kathleen M. Sims

(74) *Attorney, Agent, or Firm*—The Webb Law Firm

(57) **CLAIM**

The ornamental design for a jet cleaning machine, as shown.

DESCRIPTION

FIG. 1 is a front view of a jet cleaning machine in accordance with the present invention;

FIG. 2 is a back view thereof;

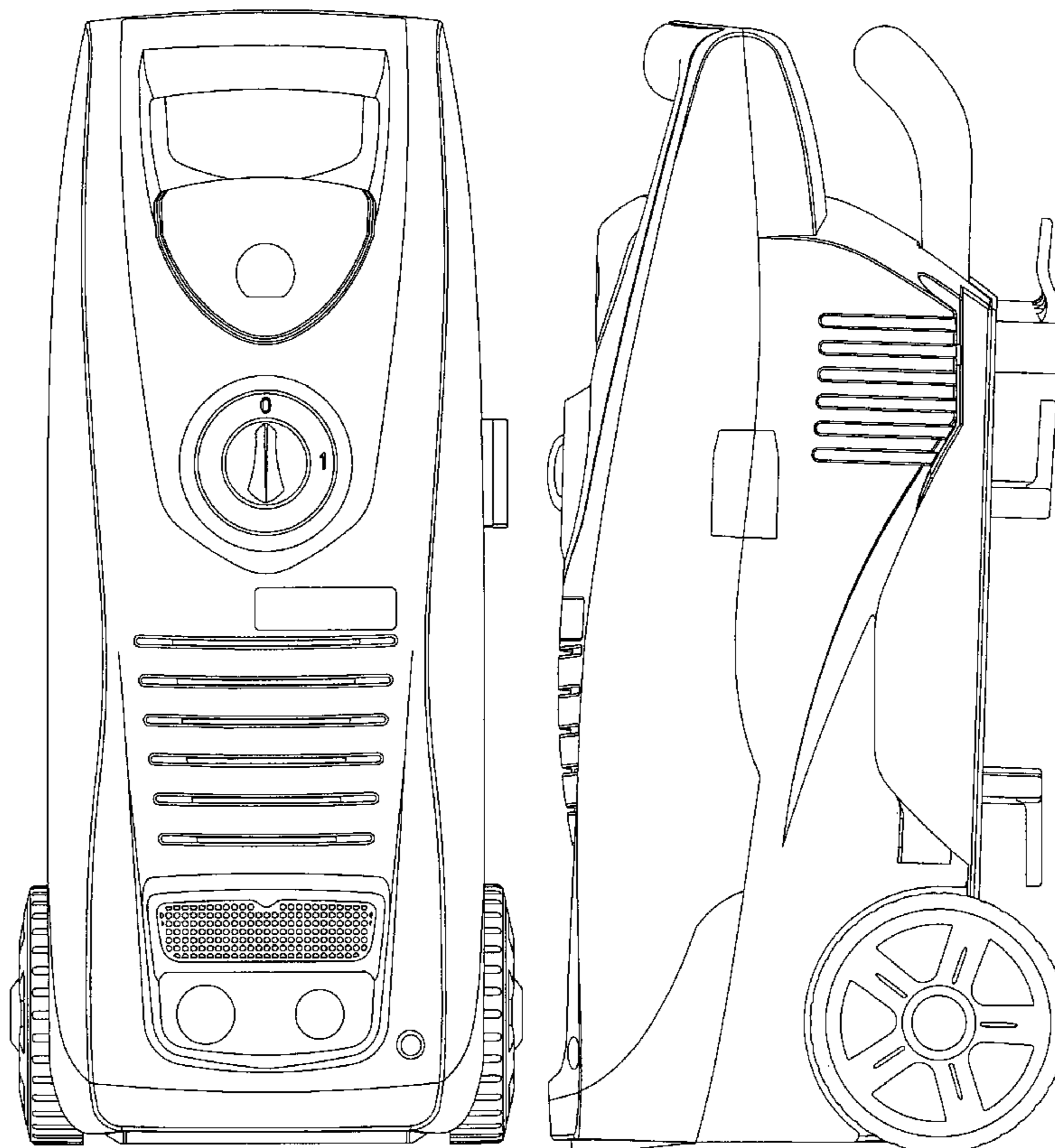
FIG. 3 is left view thereof;

FIG. 4 is a right view thereof;

FIG. 5 is a top view thereof; and,

FIG. 6 is a bottom view thereof.

1 Claim, 6 Drawing Sheets



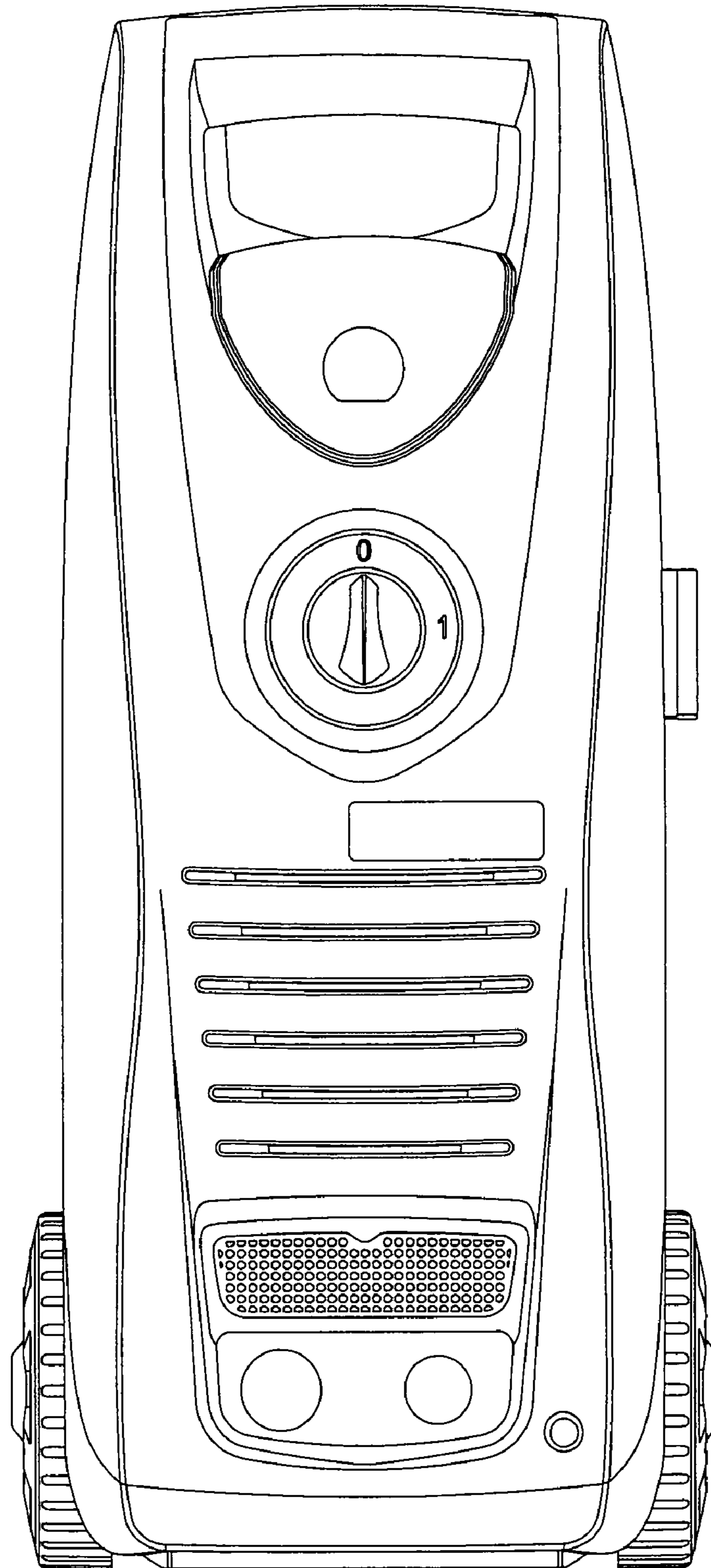


FIG. 1

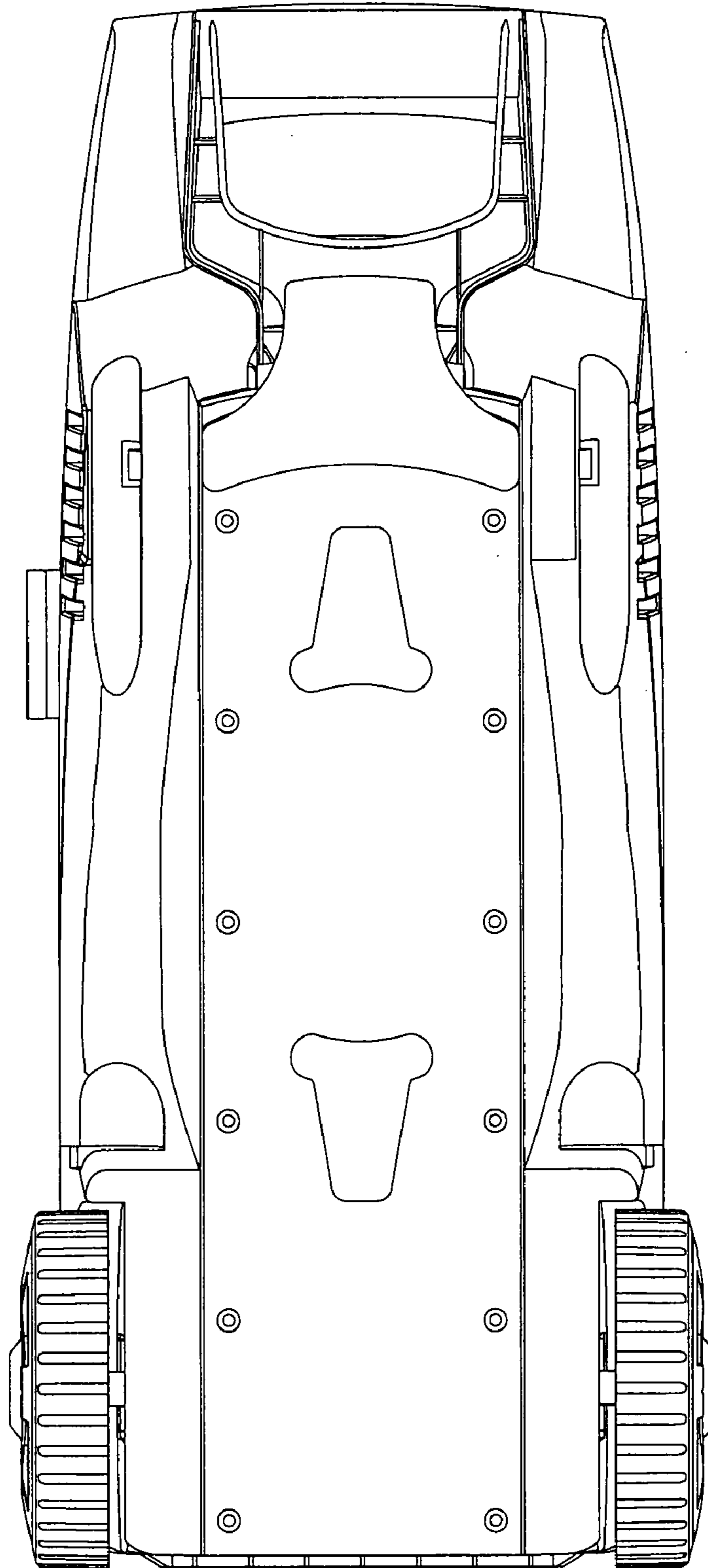


FIG. 2

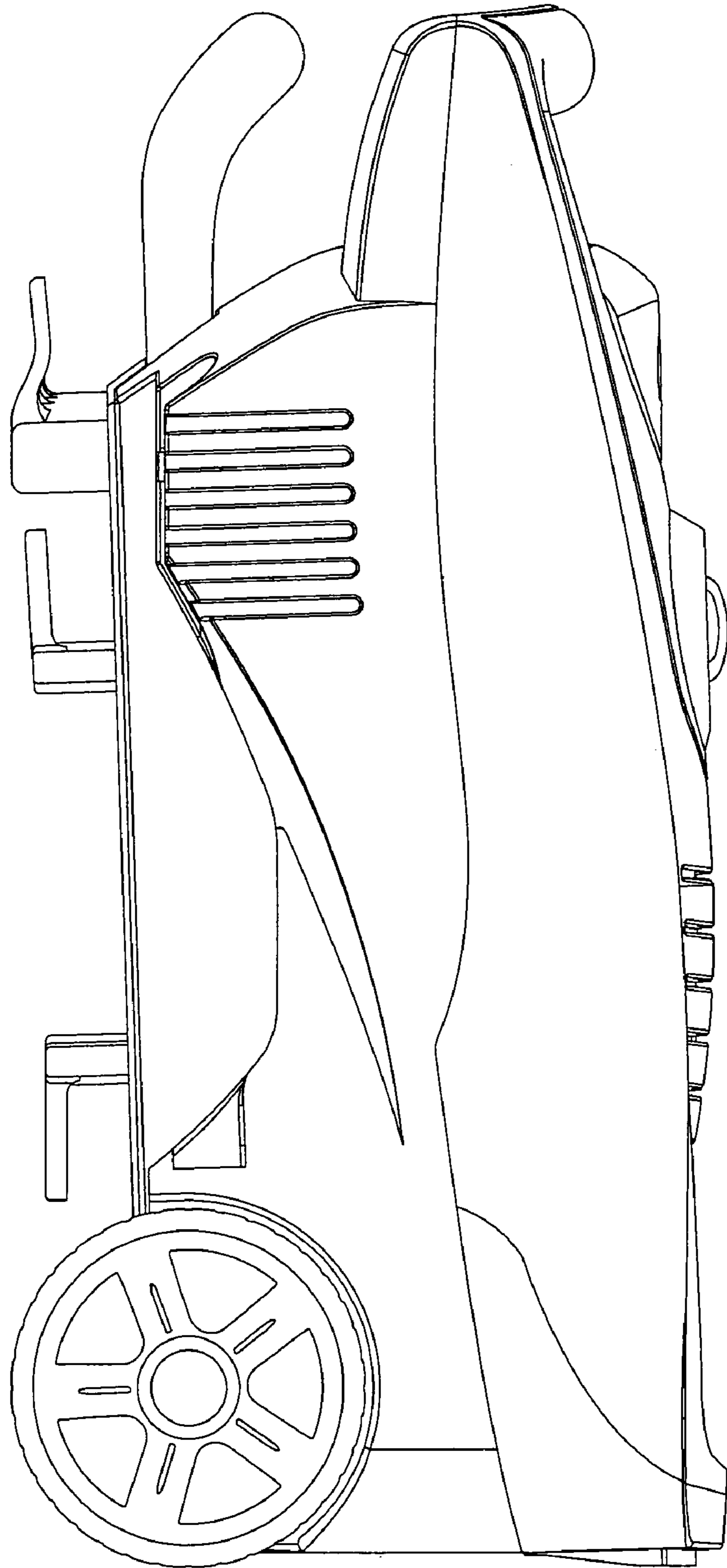


FIG. 3

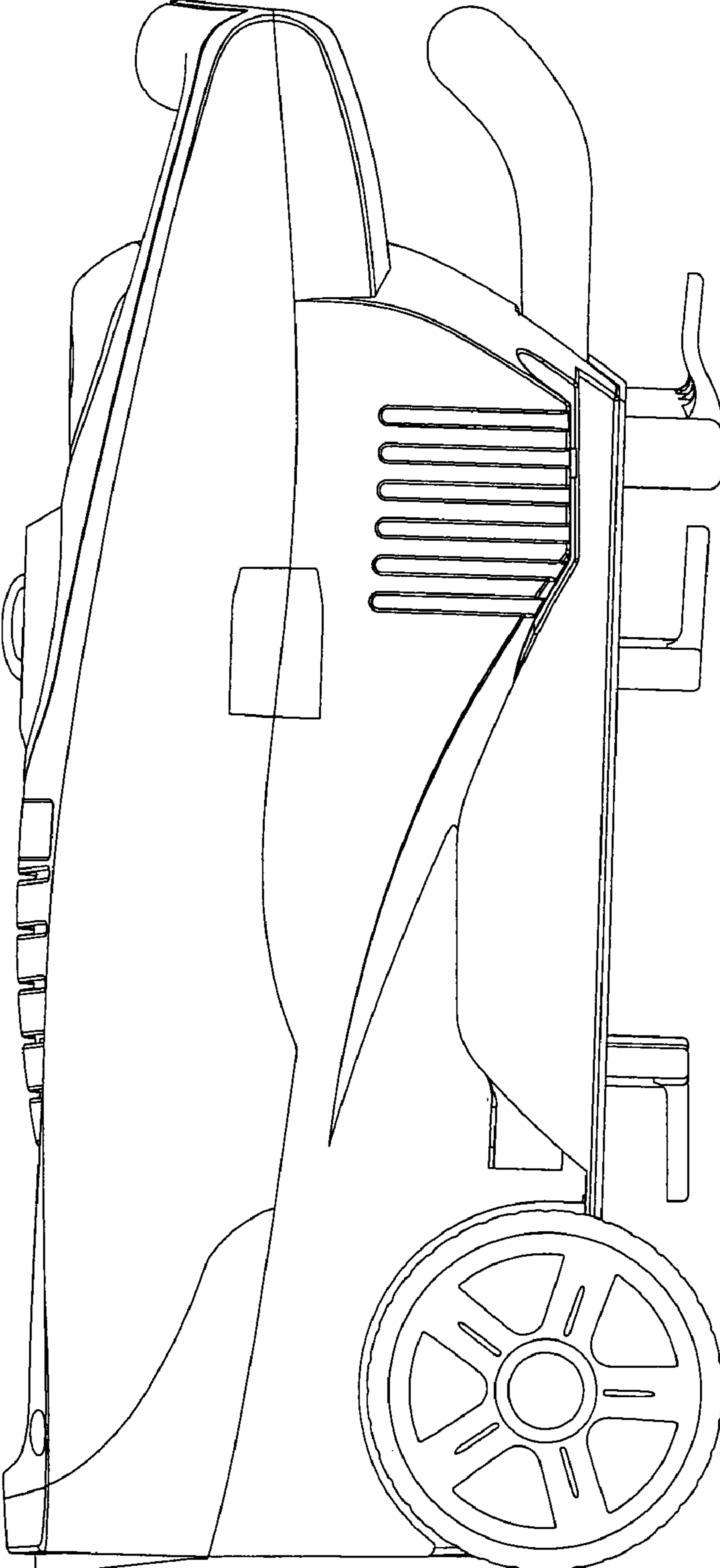


FIG. 4

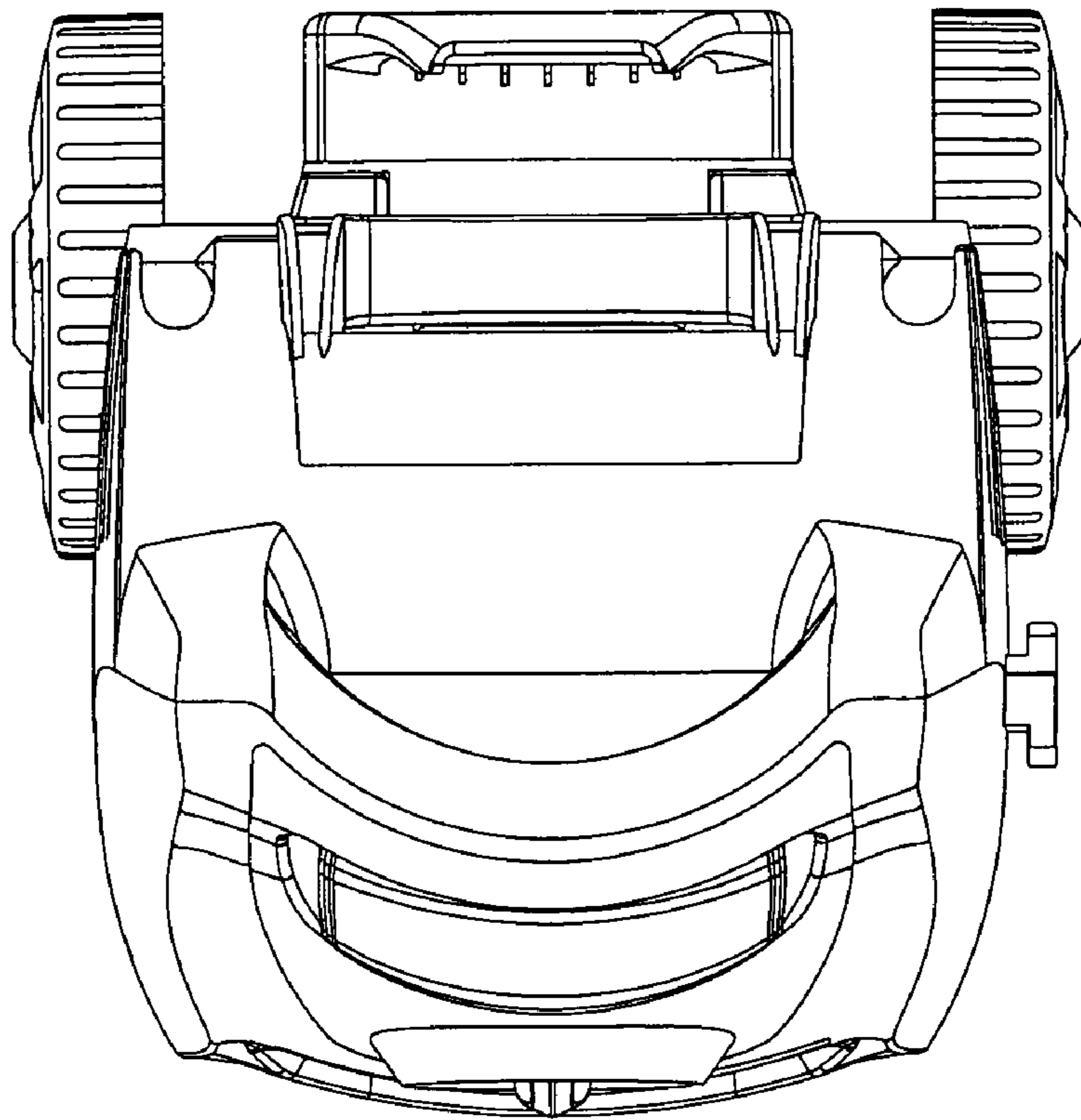


FIG. 5

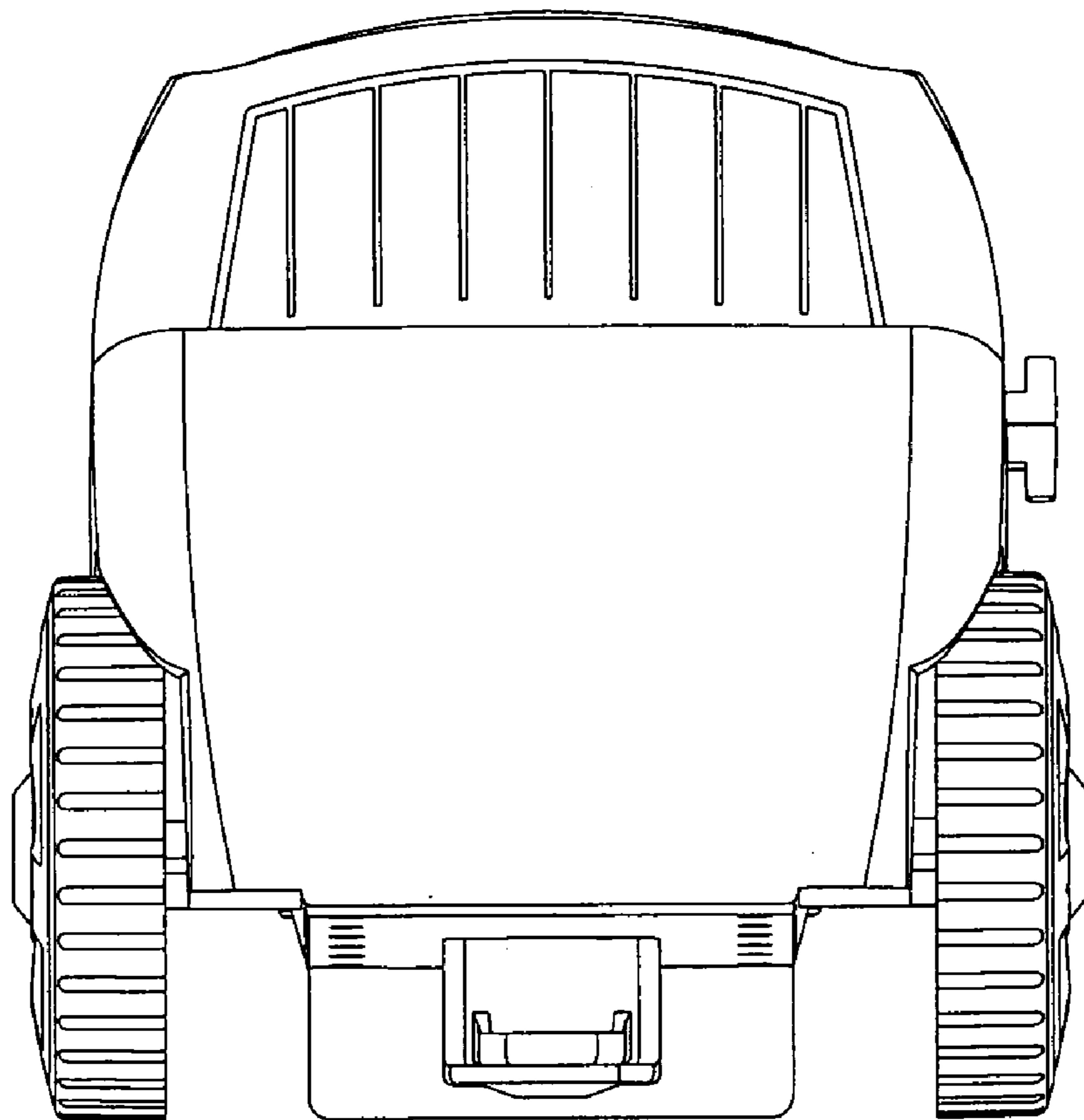


FIG. 6