



US00D556955S

(12) **United States Design Patent** (10) **Patent No.:** **US D556,955 S**
Hanks (45) **Date of Patent:** **** Dec. 4, 2007**

(54) **LITTER BOX DOOR**

(76) Inventor: **Robert Hanks**, 490 Texas Ave., Bridge City, TX (US) 77611

(**) Term: **14 Years**

(21) Appl. No.: **29/258,837**

(22) Filed: **Apr. 28, 2006**

(51) **LOC (8) Cl.** **30-99**

(52) **U.S. Cl.** **D30/161; D30/119**

(58) **Field of Classification Search** 49/169, 49/168, 371, 388, 395, 478.1, 480.1, 381, 49/386; 160/180, 92, 90, 116, 181, 353, 160/354, 16.8, 380; D25/48, 49; 119/501, 119/166, 165, 168; D30/119, 199, 161; D8/353, D8/350; D13/177; 200/302.3, 331, 330, 200/241, 242; 439/536; 174/66, 67; 360/12, 360/5

See application file for complete search history.

(56) **References Cited**

U.S. PATENT DOCUMENTS

| | | | | |
|-----------|-----|---------|----------|---------|
| 1,131,093 | A * | 3/1915 | Sperry | 220/242 |
| 2,582,379 | A * | 1/1952 | Goldberg | 200/331 |
| D173,628 | S * | 12/1954 | Schlage | D8/353 |
| D179,659 | S * | 2/1957 | Schoepe | D8/353 |
| D182,305 | S * | 3/1958 | Russell | D8/353 |
| D187,491 | S * | 3/1960 | Vytant | D8/353 |
| D199,410 | S * | 10/1964 | Russell | D8/353 |
| D214,380 | S * | 6/1969 | Moodie | D13/177 |
| D265,485 | S * | 7/1982 | Liptak | D20/10 |
| D267,226 | S * | 12/1982 | Oster | D8/353 |
| 4,603,724 | A * | 8/1986 | Borwick | 160/180 |
| 4,707,564 | A * | 11/1987 | Gonzales | 174/66 |
| 4,776,133 | A * | 10/1988 | Green | 49/394 |

| | | | | |
|-----------|-----|--------|----------------|---------|
| 5,117,890 | A * | 6/1992 | Taylor et al. | 160/180 |
| D350,422 | S * | 9/1994 | Foster, Sr. | D30/161 |
| D379,453 | S * | 5/1997 | Fabrizi | D13/177 |
| D407,500 | S * | 3/1999 | Gribble | D25/48 |
| D448,088 | S * | 9/2001 | McFee | D25/48 |
| D461,393 | S * | 8/2002 | Aubert Capella | D8/353 |
| D468,836 | S * | 1/2003 | McFee | D25/48 |
| D502,576 | S * | 3/2005 | Miller et al. | D30/161 |

* cited by examiner

Primary Examiner—M. H. Tung

Assistant Examiner—Susan Moon Lee

(74) *Attorney, Agent, or Firm*—Egbert Law Offices

(57) **CLAIM**

I claim the ornamental design for a litter box door, as shown and described.

DESCRIPTION

FIG. 1 is a front perspective view of the litter box door showing my design;

FIG. 2 is a front view thereof;

FIG. 3 is a back view thereof;

FIG. 4 is a side view thereof;

FIG. 5 is an opposite side view thereof.

FIG. 6 is a top plan view thereof;

FIG. 7 is a bottom view thereof; and,

FIG. 8 is a reduced illustrative front view, shown in use, attached to a litter box shown in phantom lines.

The portions rendered in broken line are for illustrative purposes only and form no part of the claimed design.

1 Claim, 3 Drawing Sheets

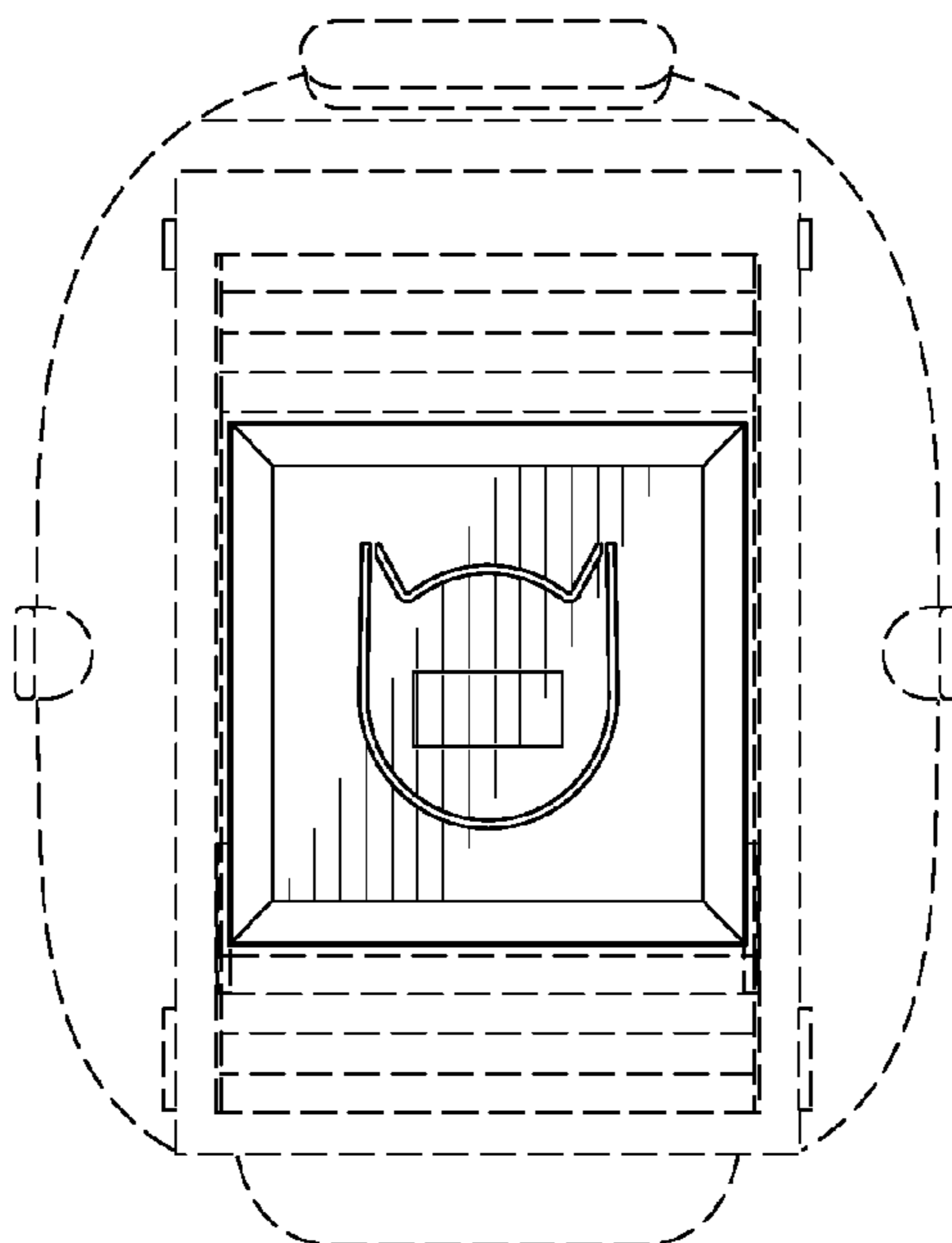


FIG. 1

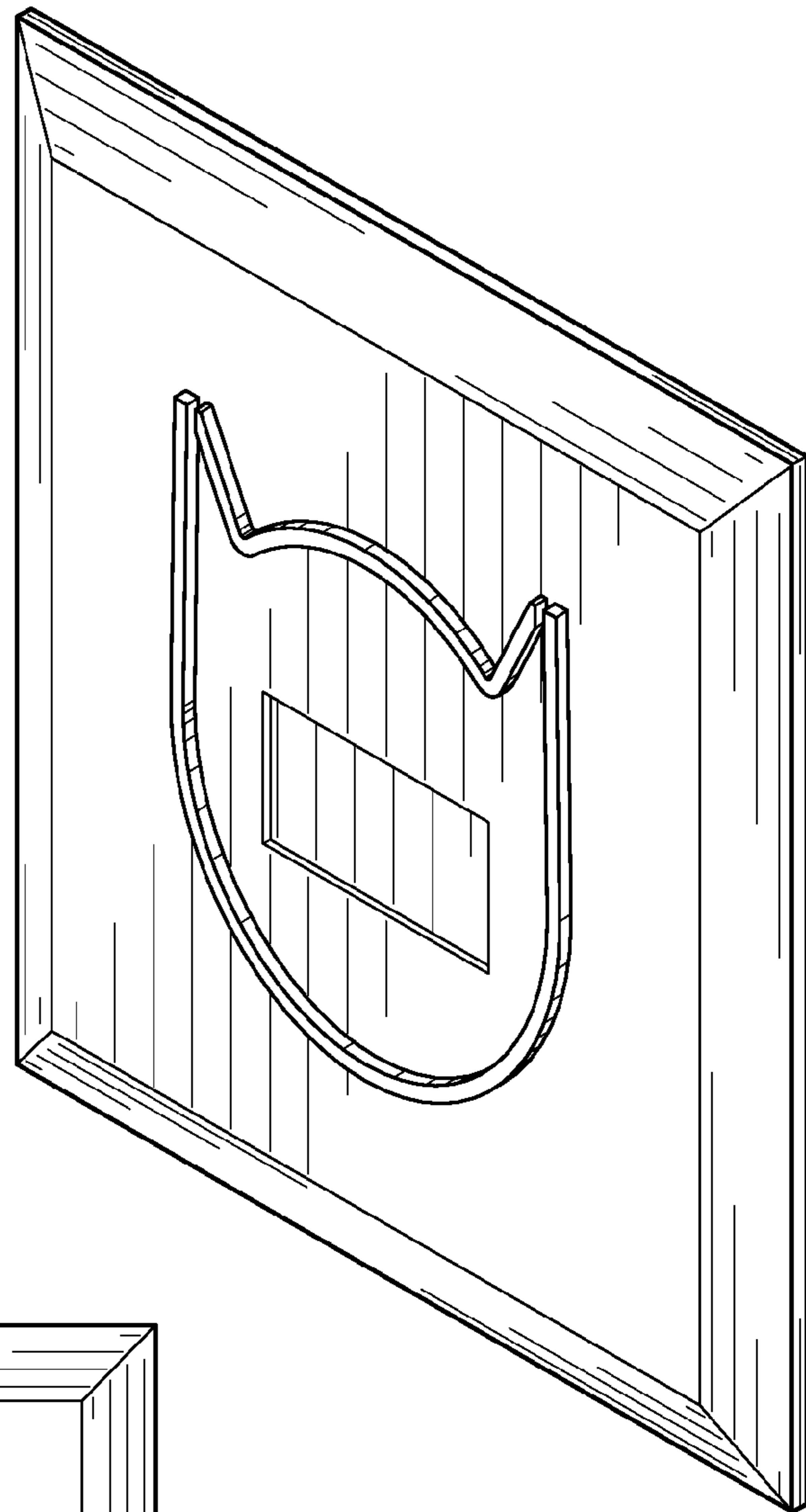
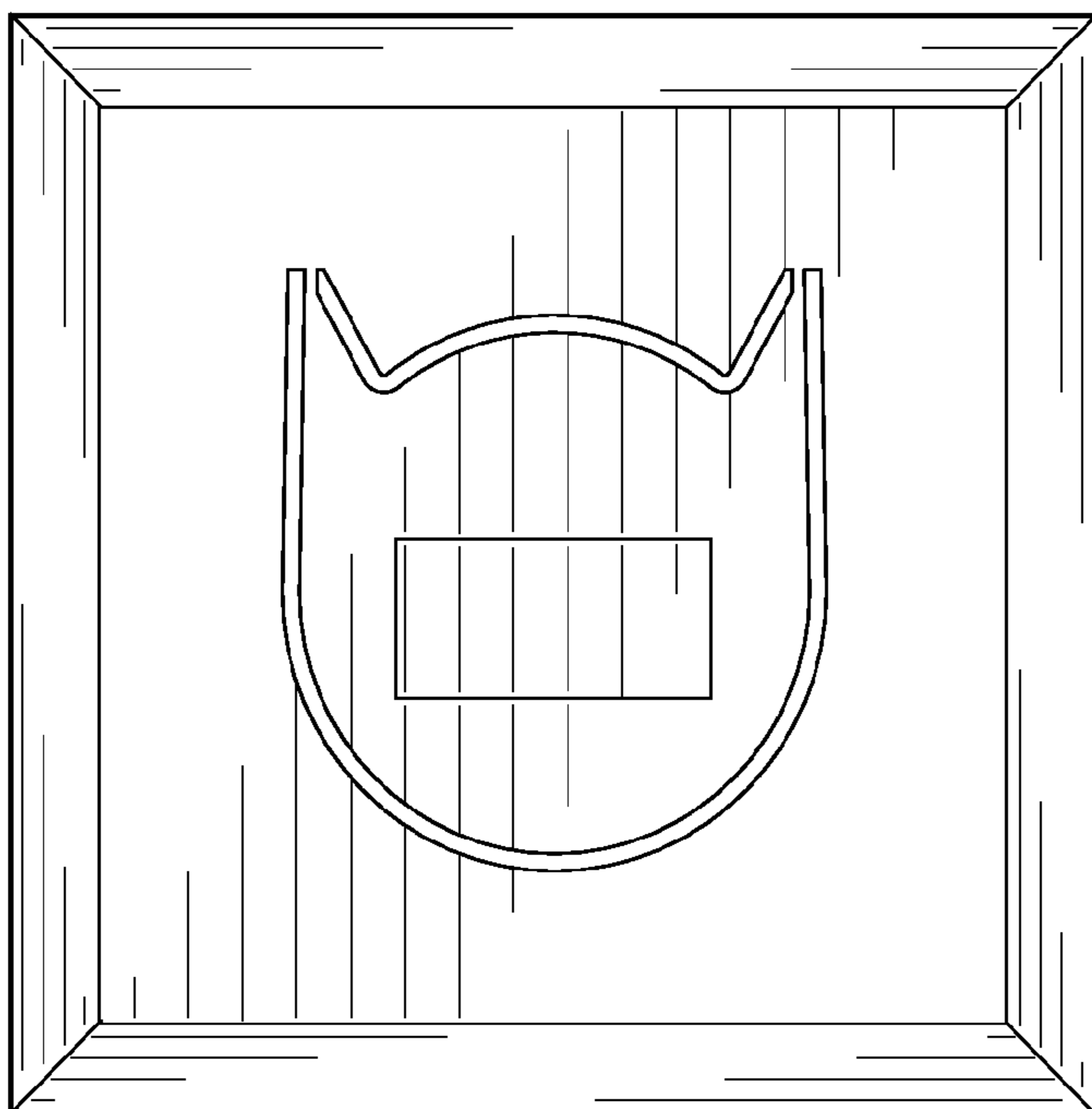


FIG. 2



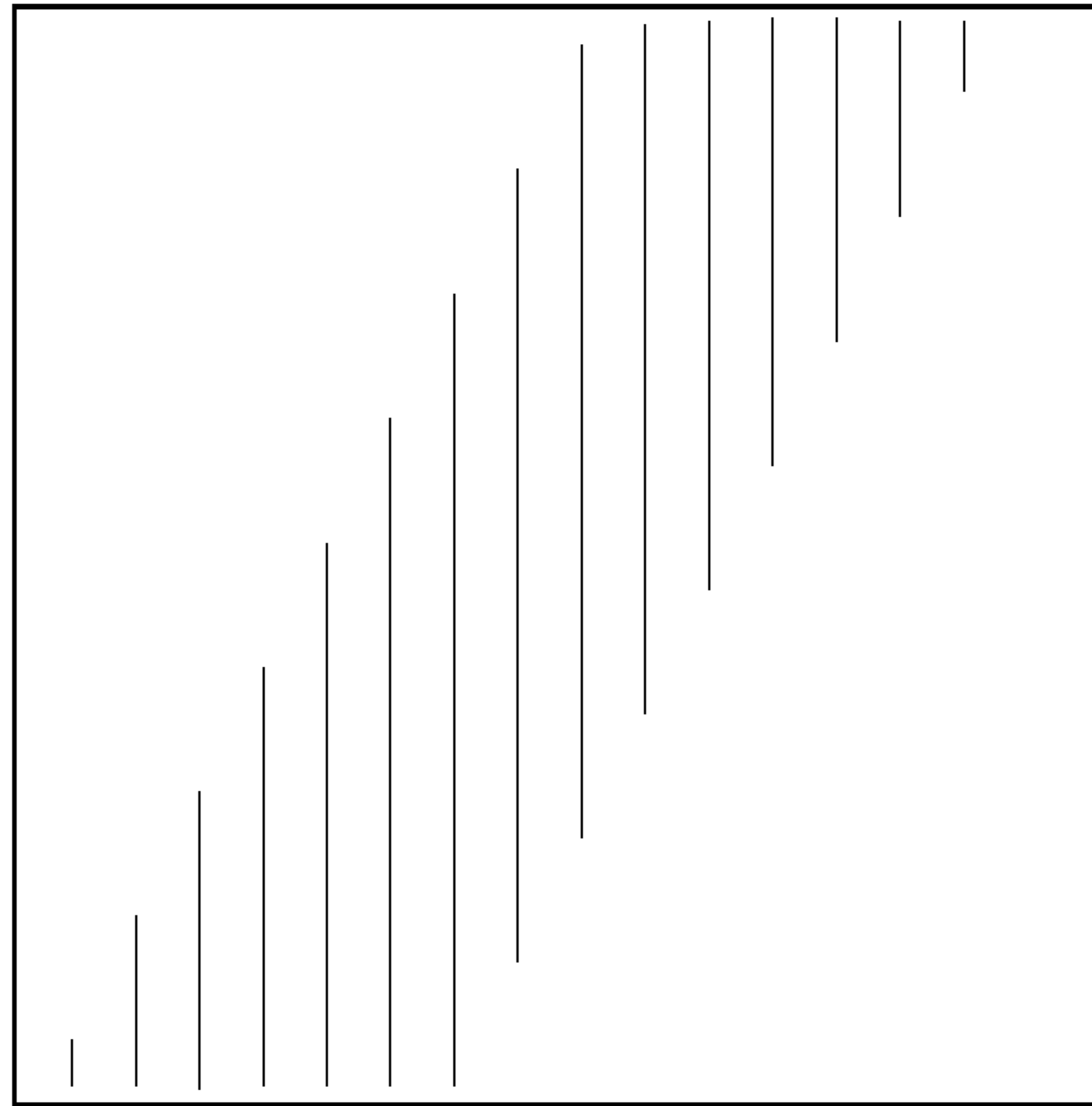


FIG. 3

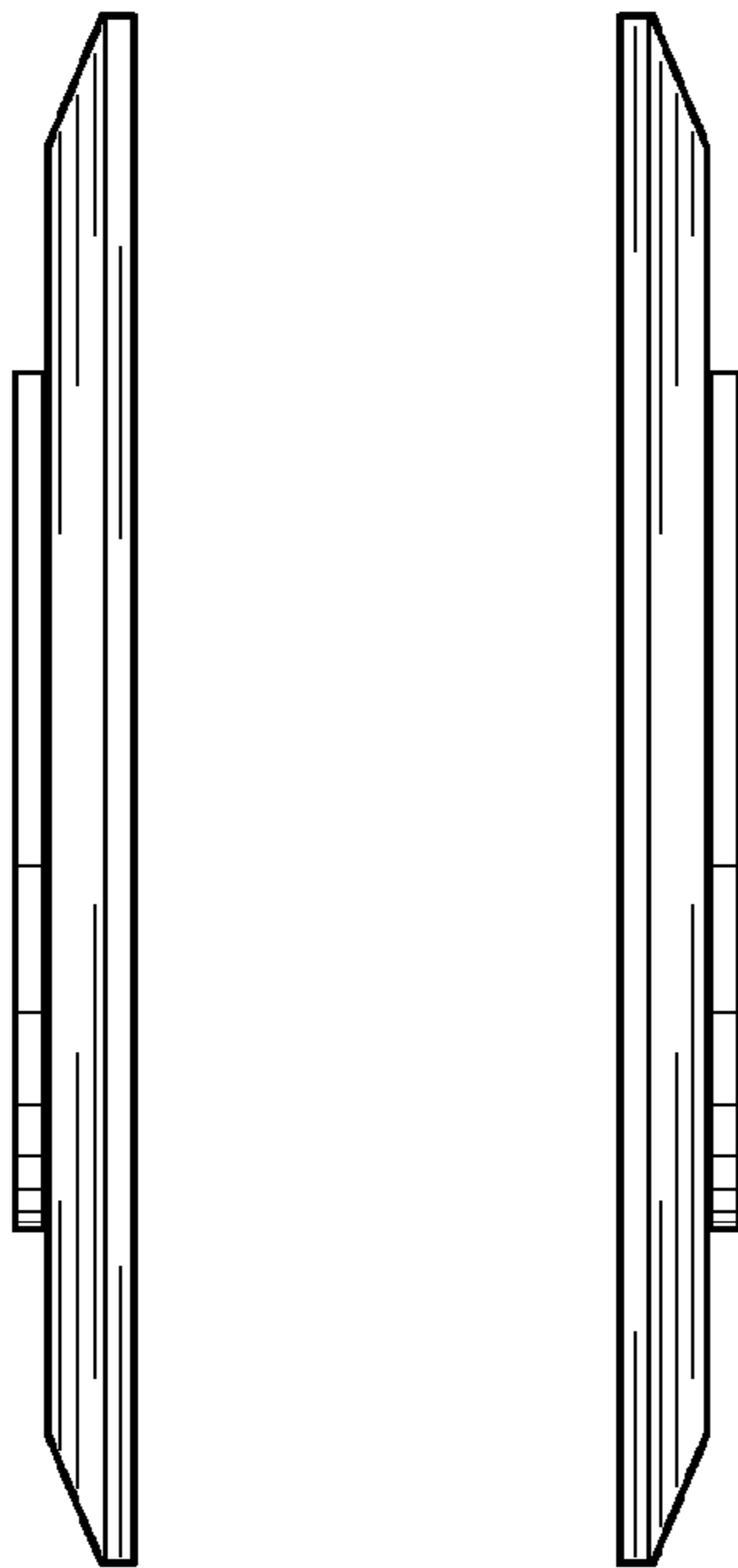


FIG. 4

FIG. 5

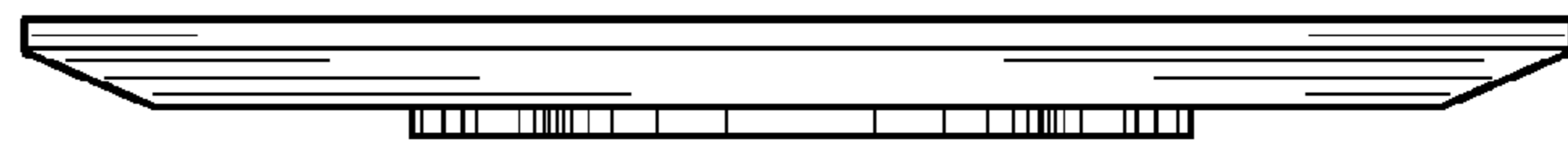


FIG. 6

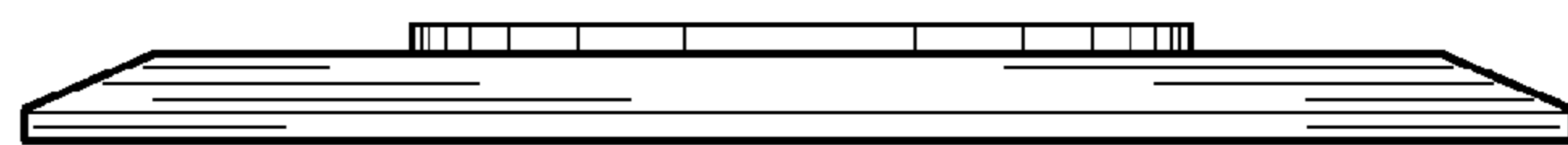


FIG. 7

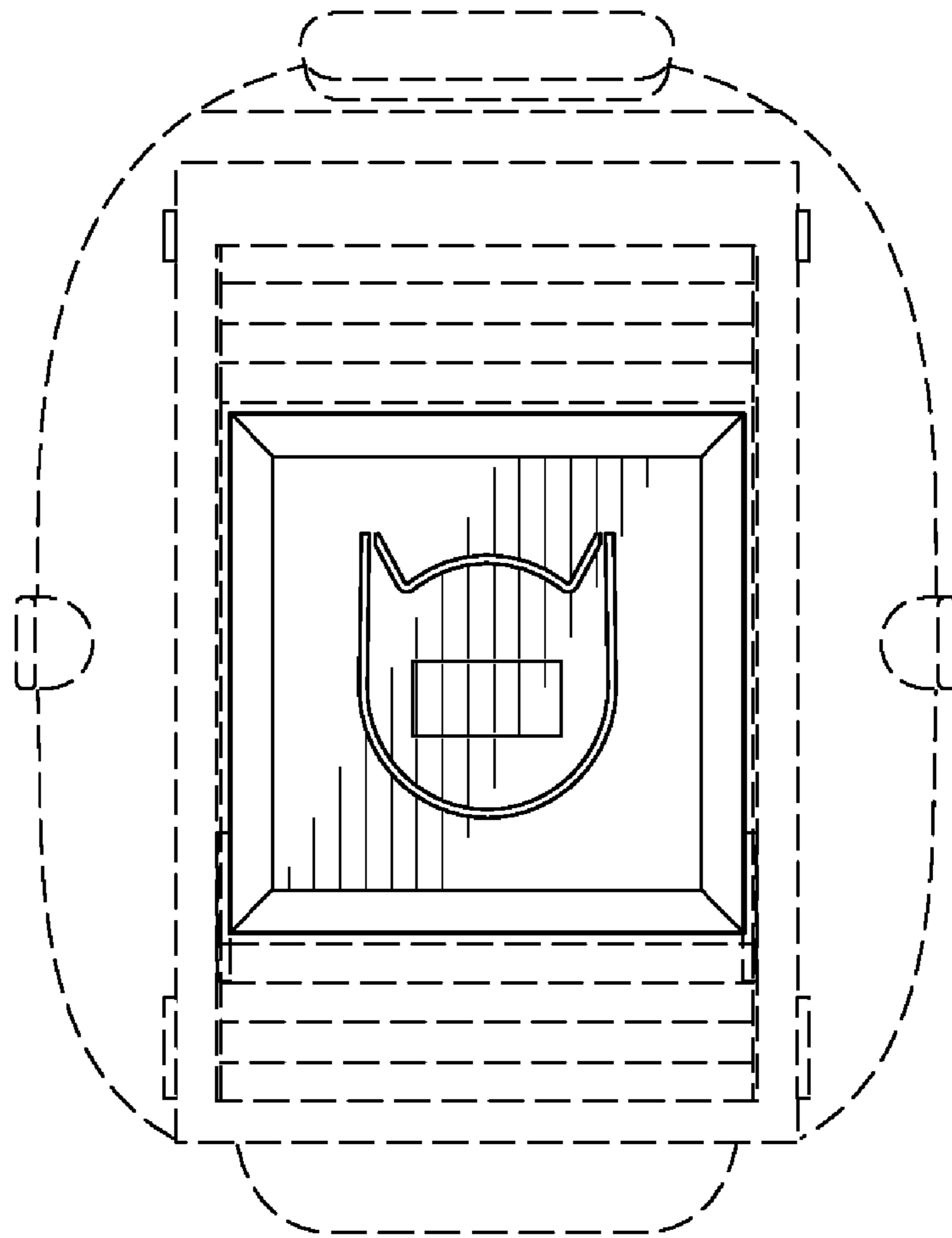


FIG. 8