



US00D556954S

(12) **United States Design Patent** (10) **Patent No.:** **US D556,954 S**
May (45) **Date of Patent:** **** Dec. 4, 2007**

(54) **PET FOOD DISH**

(76) Inventor: **Kim W. May**, 8789 N. 75th Ave.,
Peoria, AZ (US) 85345

(**) Term: **14 Years**

(21) Appl. No.: **29/285,967**

(22) Filed: **Apr. 18, 2007**

(51) **LOC (8) Cl.** **30-03**

(52) **U.S. Cl.** **D30/129**

(58) **Field of Classification Search** D30/129-133,
D30/121; 119/61.5, 74, 51.01, 59, 61.53,
119/61.54, 51.5, 63; D7/584, 505; D22/122;
43/133; 248/128, 146

See application file for complete search history.

(56) **References Cited**

U.S. PATENT DOCUMENTS

223,321	A *	1/1880	Avila	43/109
D57,119	S *	2/1921	Eaton	D30/129
D60,267	S *	1/1922	Schlesinger	D23/201
4,128,080	A *	12/1978	Haney	119/51.5
D273,430	S *	4/1984	Salinas	D30/130
D289,208	S *	4/1987	Fanciullo	D30/129
D294,531	S *	3/1988	Neunzig	D30/130
D299,771	S *	2/1989	Kennedy	D30/130
D302,755	S *	8/1989	Zaliti	D30/130
4,896,627	A	1/1990	Riddell	
D316,918	S *	5/1991	Harris	D30/130
5,031,575	A	7/1991	Phillips	
5,117,778	A *	6/1992	Imamura	119/51.5
5,125,363	A *	6/1992	McGaha	119/51.5
5,165,365	A *	11/1992	Thompson	119/61.53
D338,288	S *	8/1993	Key	D30/129
D342,353	S	12/1993	Anastasi	
5,277,149	A	1/1994	East	
D346,465	S *	4/1994	Russell et al.	D30/130

D352,576	S *	11/1994	Trigoboff et al.	D30/129
D362,090	S *	9/1995	Baldwin et al.	D30/130
5,467,738	A *	11/1995	Cass	119/61.53
5,564,362	A *	10/1996	Fiveash	119/51.5
5,577,461	A	11/1996	Sebastian et al.	
5,632,228	A	5/1997	Ybarra	
D379,684	S *	6/1997	Dennis	D30/130
D402,425	S *	12/1998	Lacz et al.	D30/121
5,855,185	A *	1/1999	Scott	119/61.53
5,979,360	A	11/1999	Tharp	
6,125,790	A *	10/2000	Breedwell	119/51.5
6,142,099	A *	11/2000	Lange, Jr.	119/51.5
D435,321	S *	12/2000	Avila	D30/130
6,205,950	B1 *	3/2001	Thompson, Jr.	119/51.5
D498,564	S *	11/2004	Northrop et al.	D30/121

* cited by examiner

Primary Examiner—Melanie Tung

Assistant Examiner—Susan Moon Lee

(74) *Attorney, Agent, or Firm*—Lawrence J. Gibney, Jr.

(57) **CLAIM**

The ornamental design for a pet food dish, as shown and described.

DESCRIPTION

FIG. 1 is a side elevational view of a pet food dish showing my new design, the opposite side view being a mirror image thereof;

FIG. 2 is a front elevational view thereof;

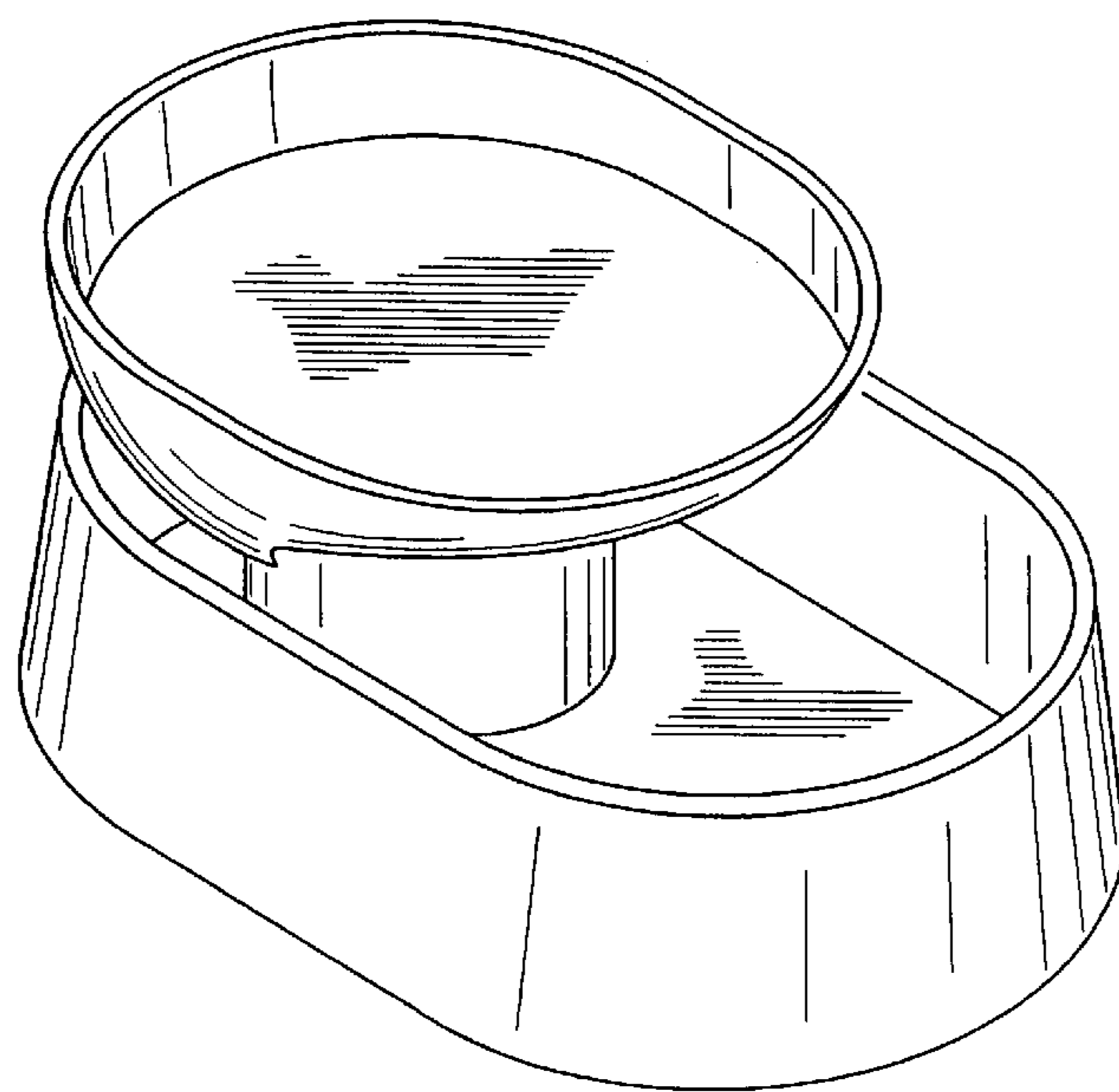
FIG. 3 is a rear elevational view thereof;

FIG. 4 is a top plan view thereof;

FIG. 5 is a bottom view thereof; and,

FIG. 6 is a perspective view thereof.

1 Claim, 3 Drawing Sheets



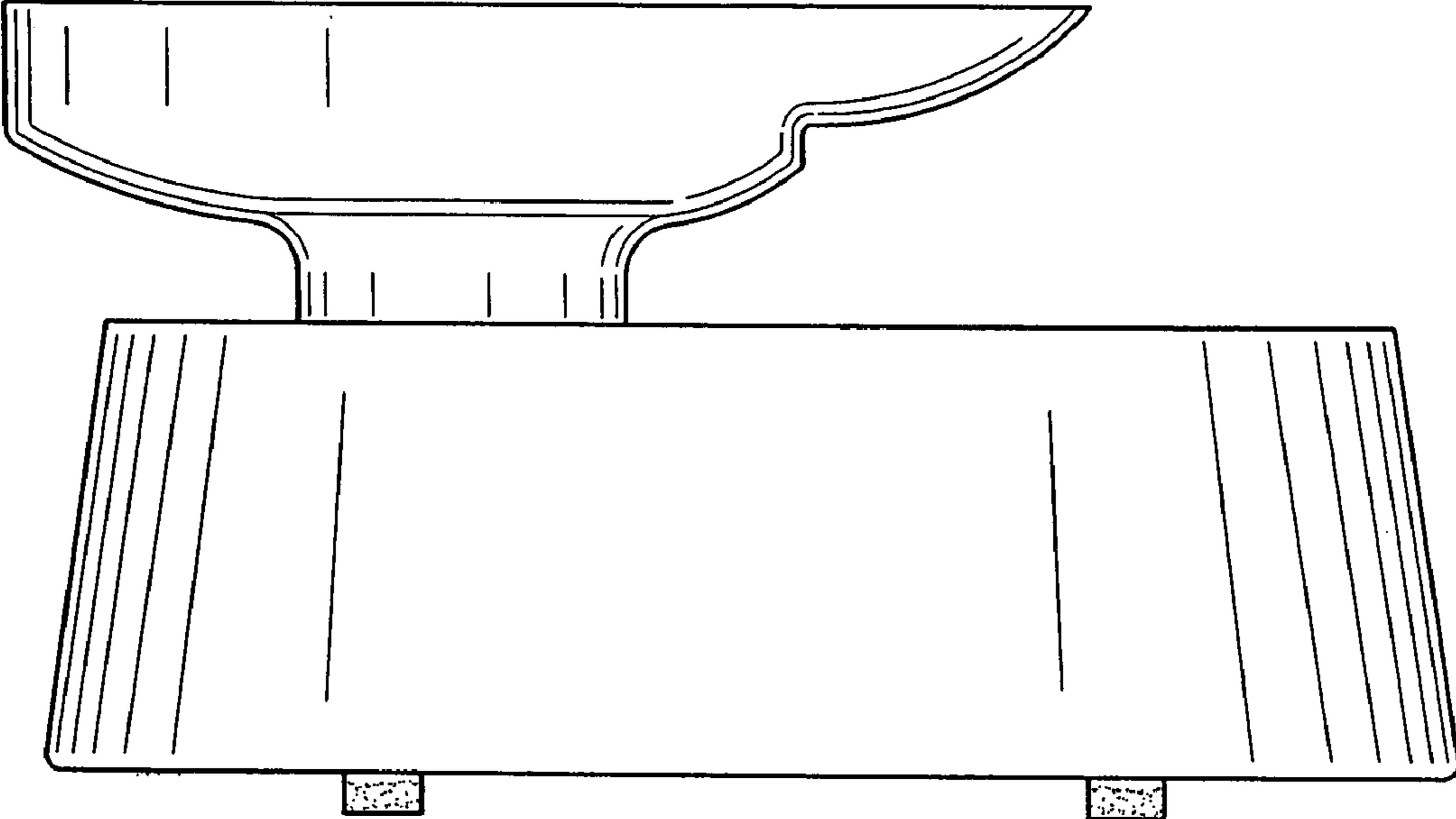


FIG. 1

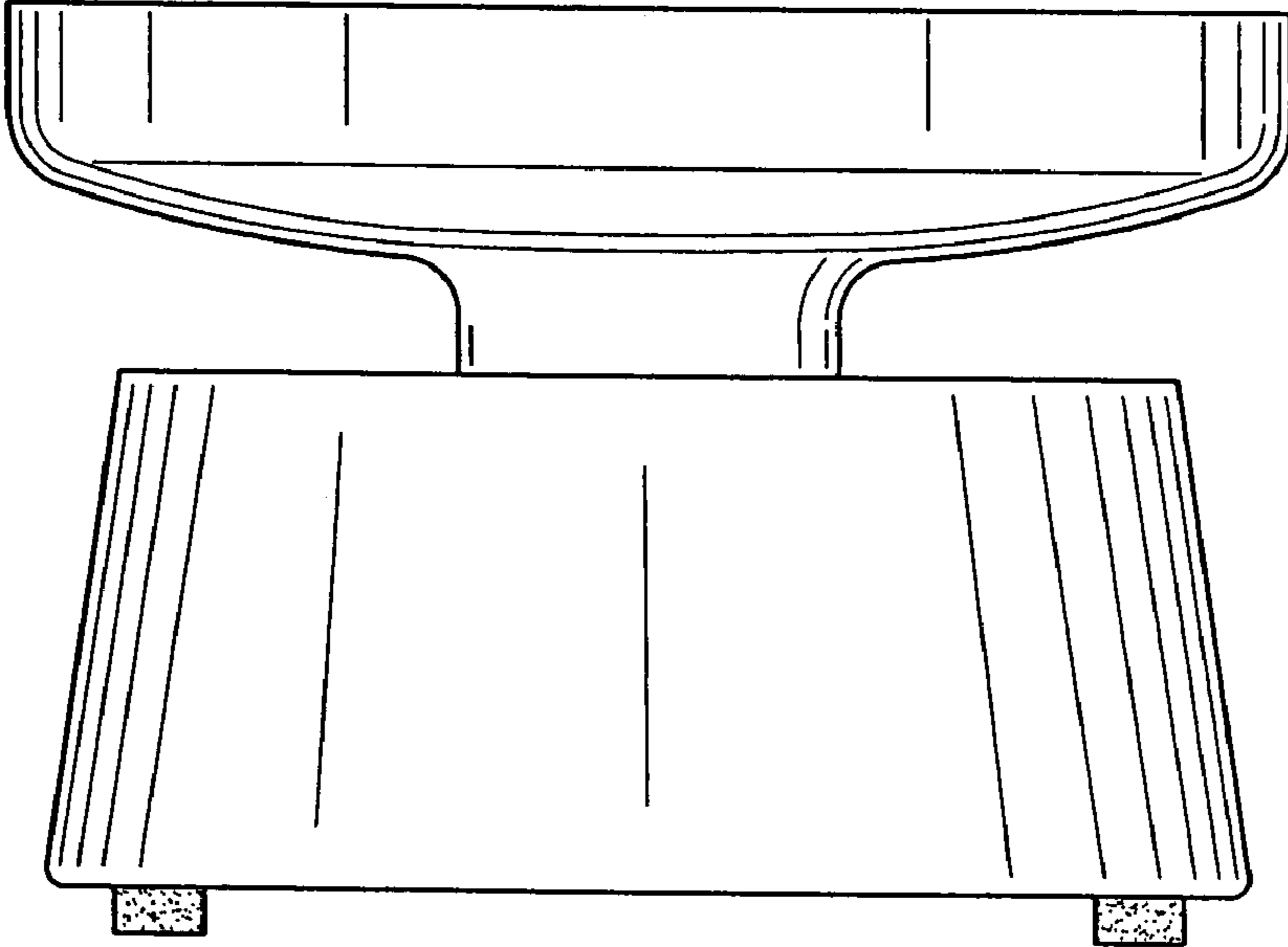


FIG. 2

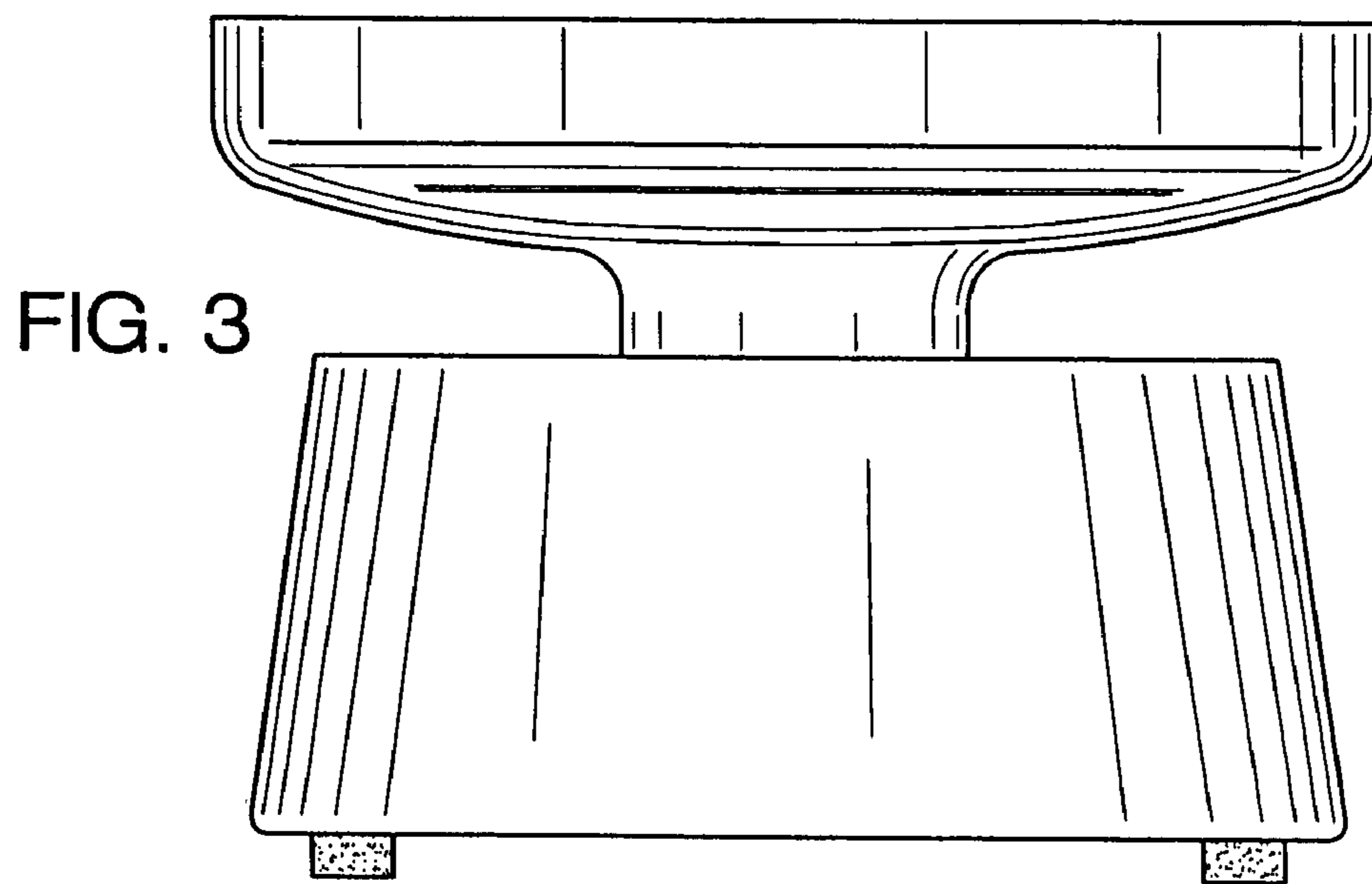


FIG. 3

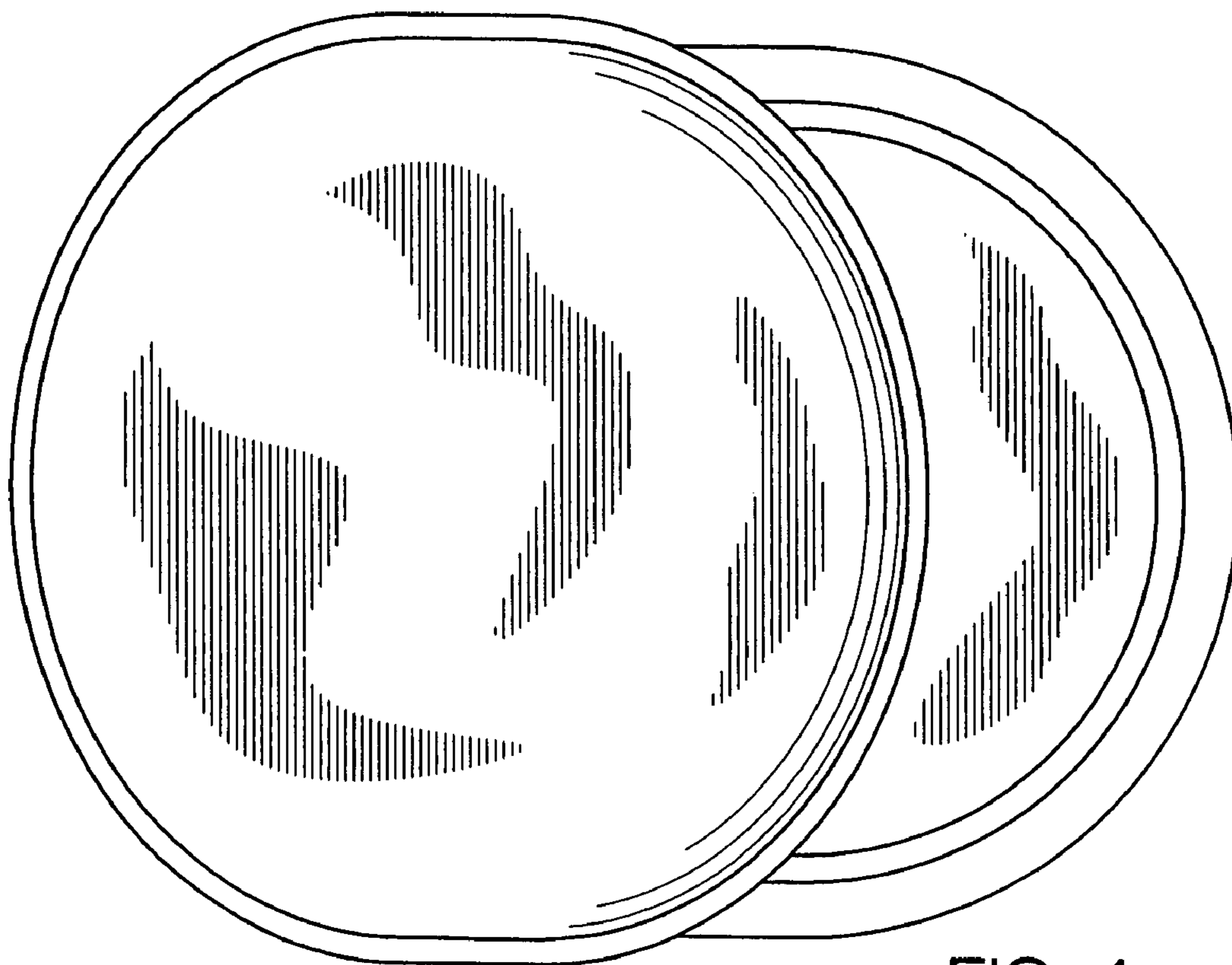


FIG. 4

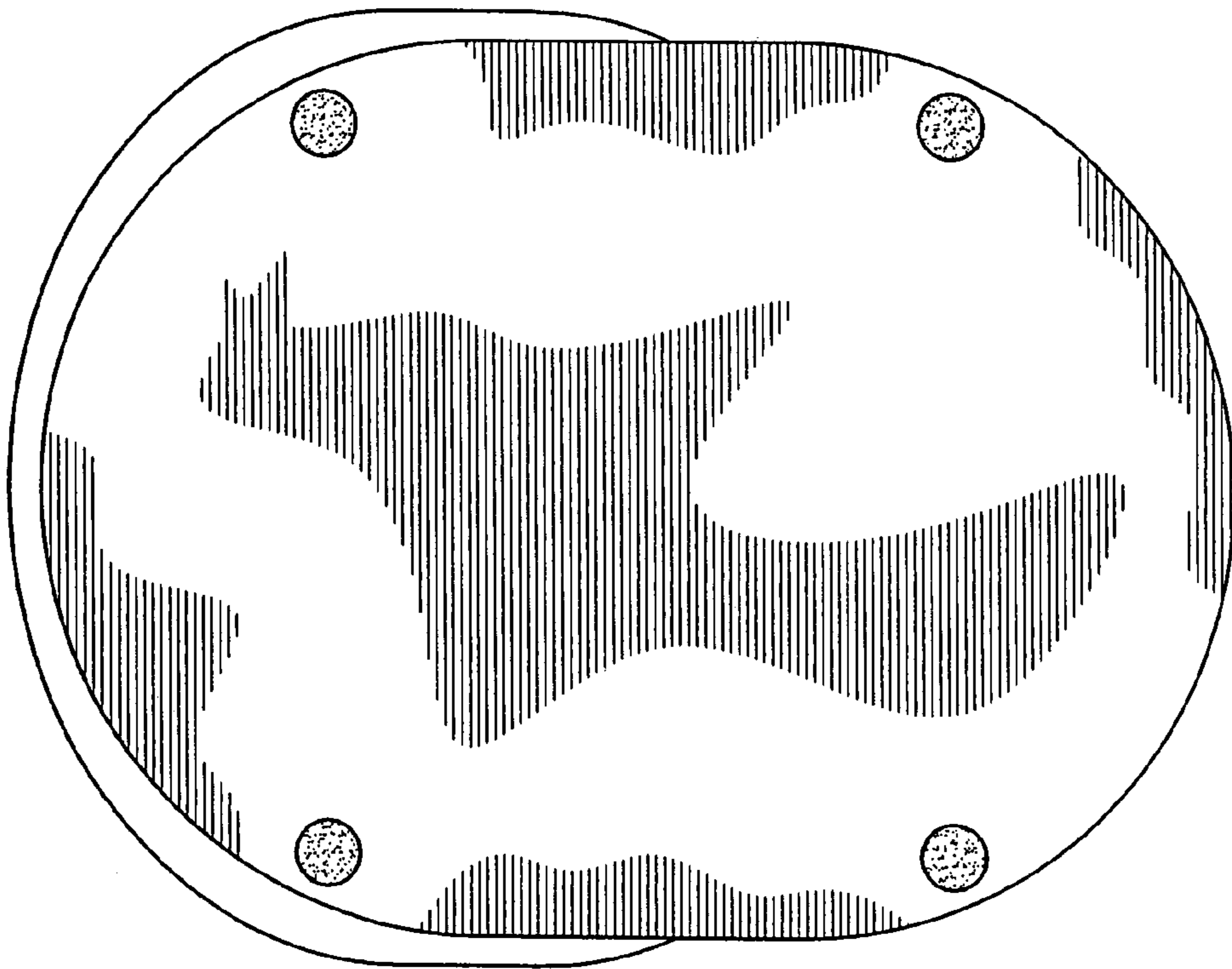


FIG. 5

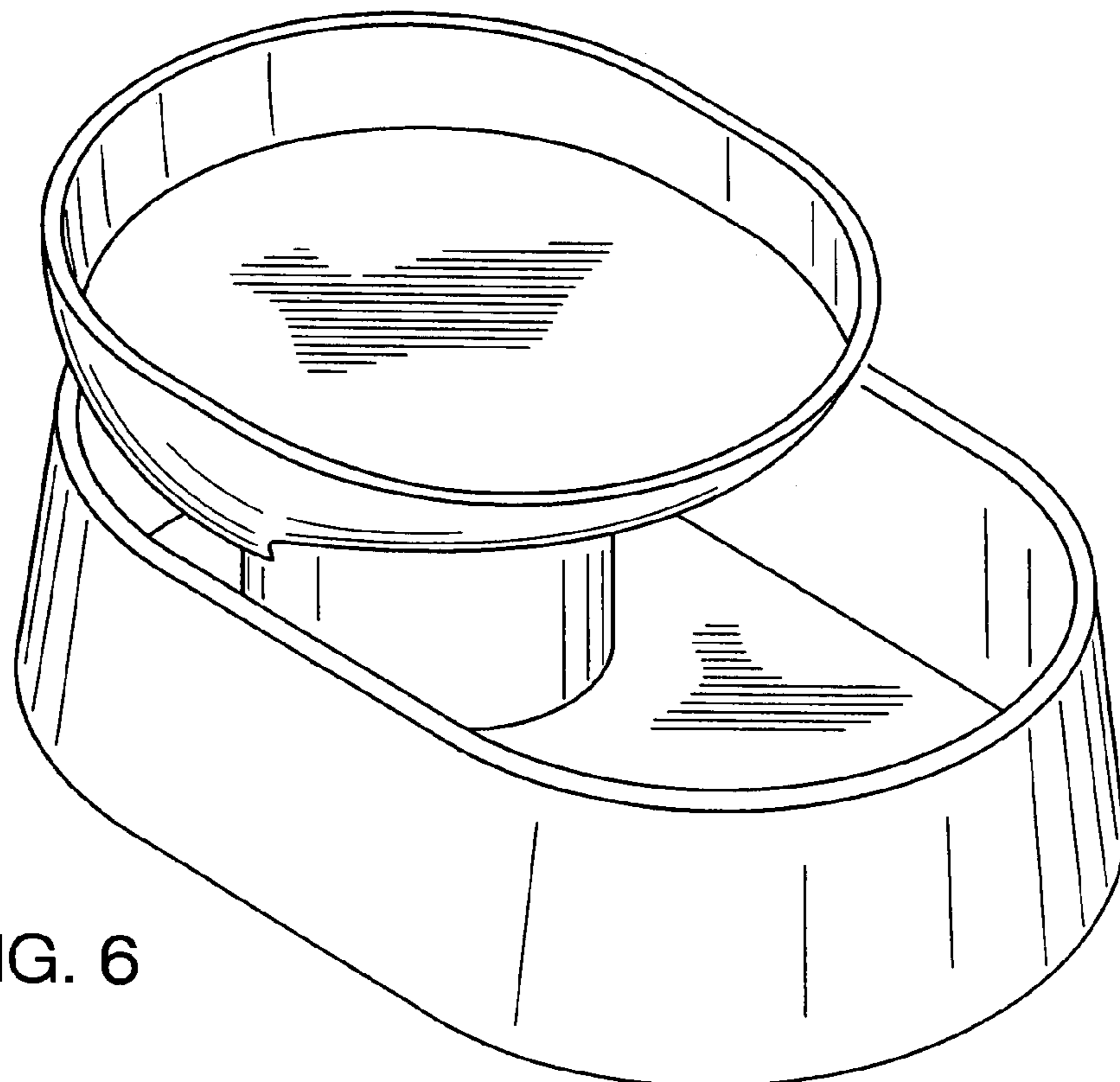


FIG. 6