



US00D556949S

(12) **United States Design Patent**
Leung

(10) **Patent No.:** **US D556,949 S**

(45) **Date of Patent:** **** Dec. 4, 2007**

(54) **CURLING IRON**

2007/0095810 A1* 5/2007 Gniadek 219/225

* cited by examiner

(75) Inventor: **Anthony Kit Lun Leung**, North Point
(CN)

Primary Examiner—Jennifer Rivard

(73) Assignee: **Conair Corporation**, Stamford, CT
(US)

(74) *Attorney, Agent, or Firm*—Lawrence Cruz

(**) Term: **14 Years**

(57) **CLAIM**

I claim the ornamental design for a curling iron, as shown and described.

(21) Appl. No.: **29/285,774**

DESCRIPTION

(22) Filed: **Apr. 10, 2007**

FIG. 1 is a perspective view of a curling iron showing my new design;

(51) **LOC (8) Cl.** **28-03**

FIG. 2 is a front view thereof;

(52) **U.S. Cl.** **D28/35**

FIG. 3 is a rear view thereof;

(58) **Field of Classification Search** 132/222–225,
132/227–229, 236, 245; 219/222, 225, 226;
D28/35

FIG. 4 is a left side view thereof;

FIG. 5 is a right side view thereof;

See application file for complete search history.

FIG. 6 is a top view thereof; and,

FIG. 7 is a bottom view.

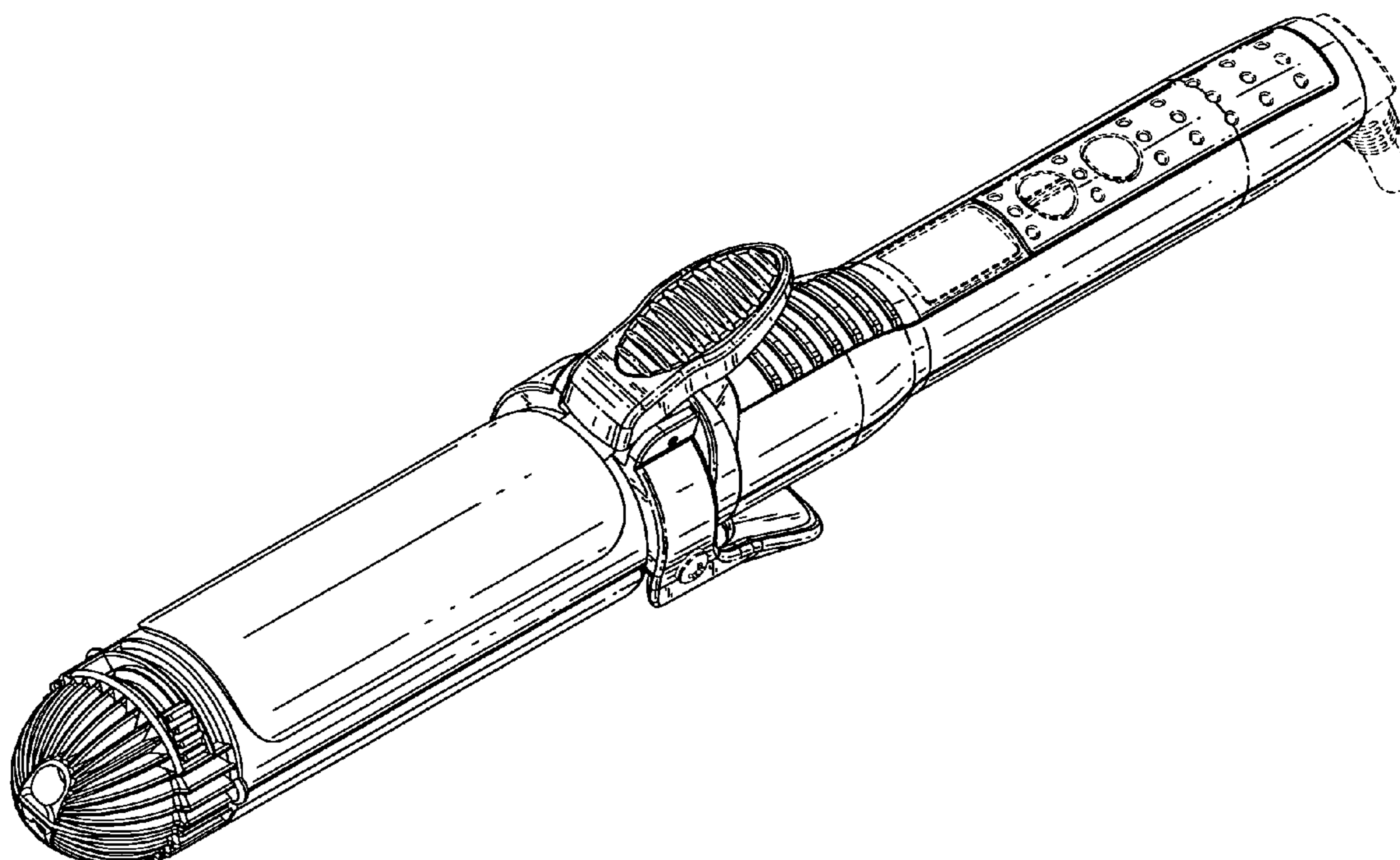
(56) **References Cited**

The broken lines are shown for illustrative purposes only and form no part of the claimed design.

U.S. PATENT DOCUMENTS

D469,576 S * 1/2003 Spagnolo D28/35

1 Claim, 3 Drawing Sheets



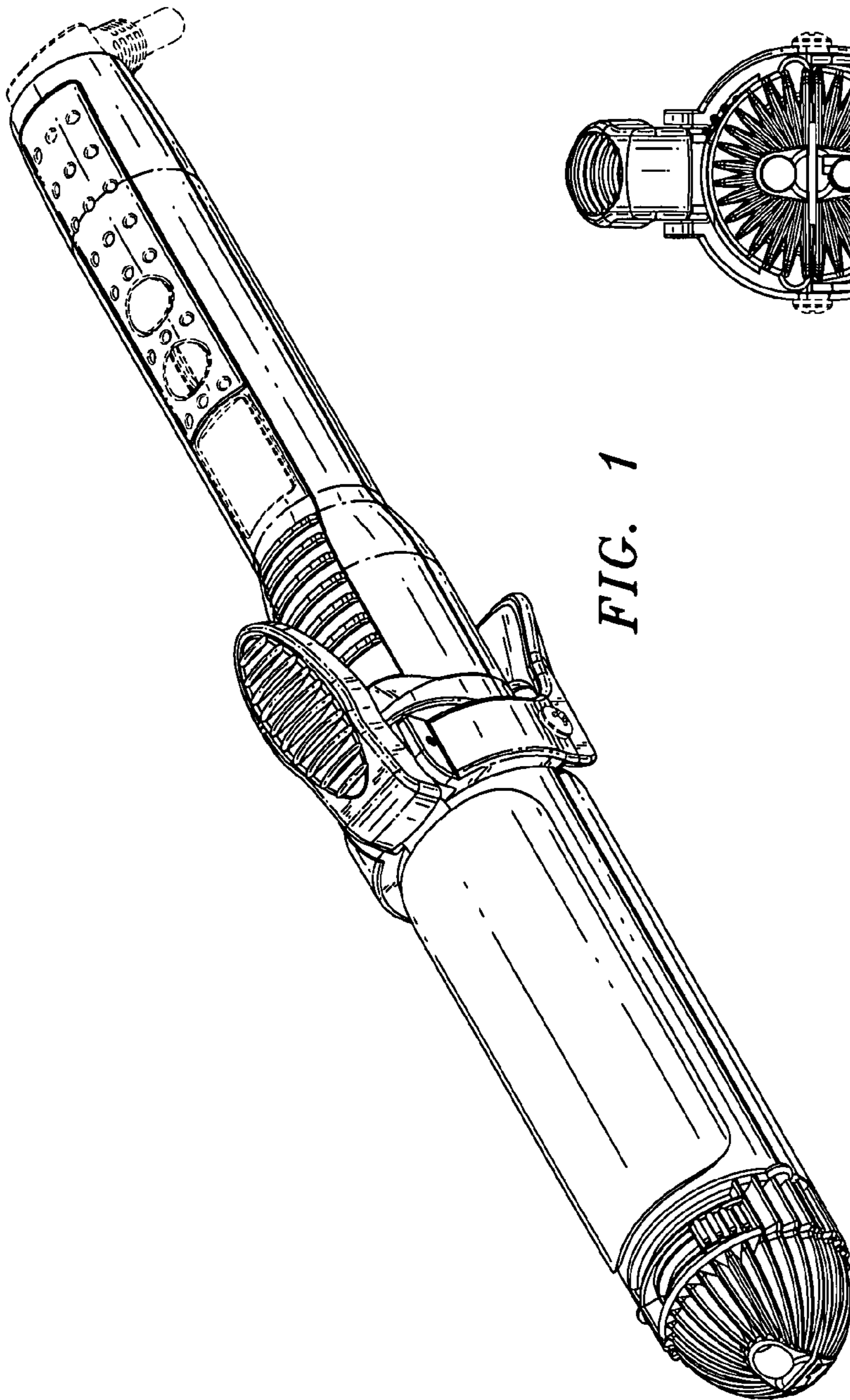


FIG. 1

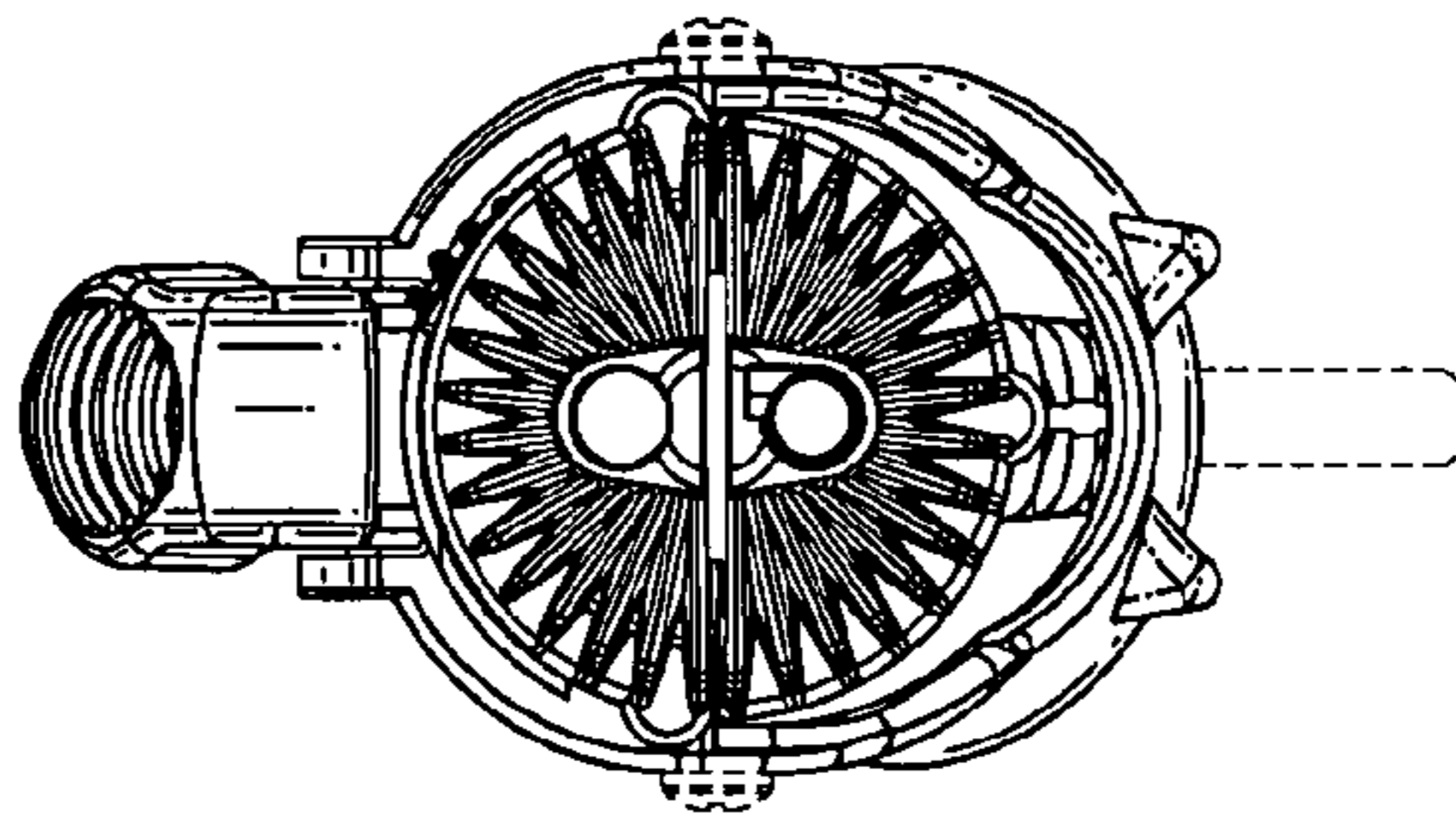


FIG. 2

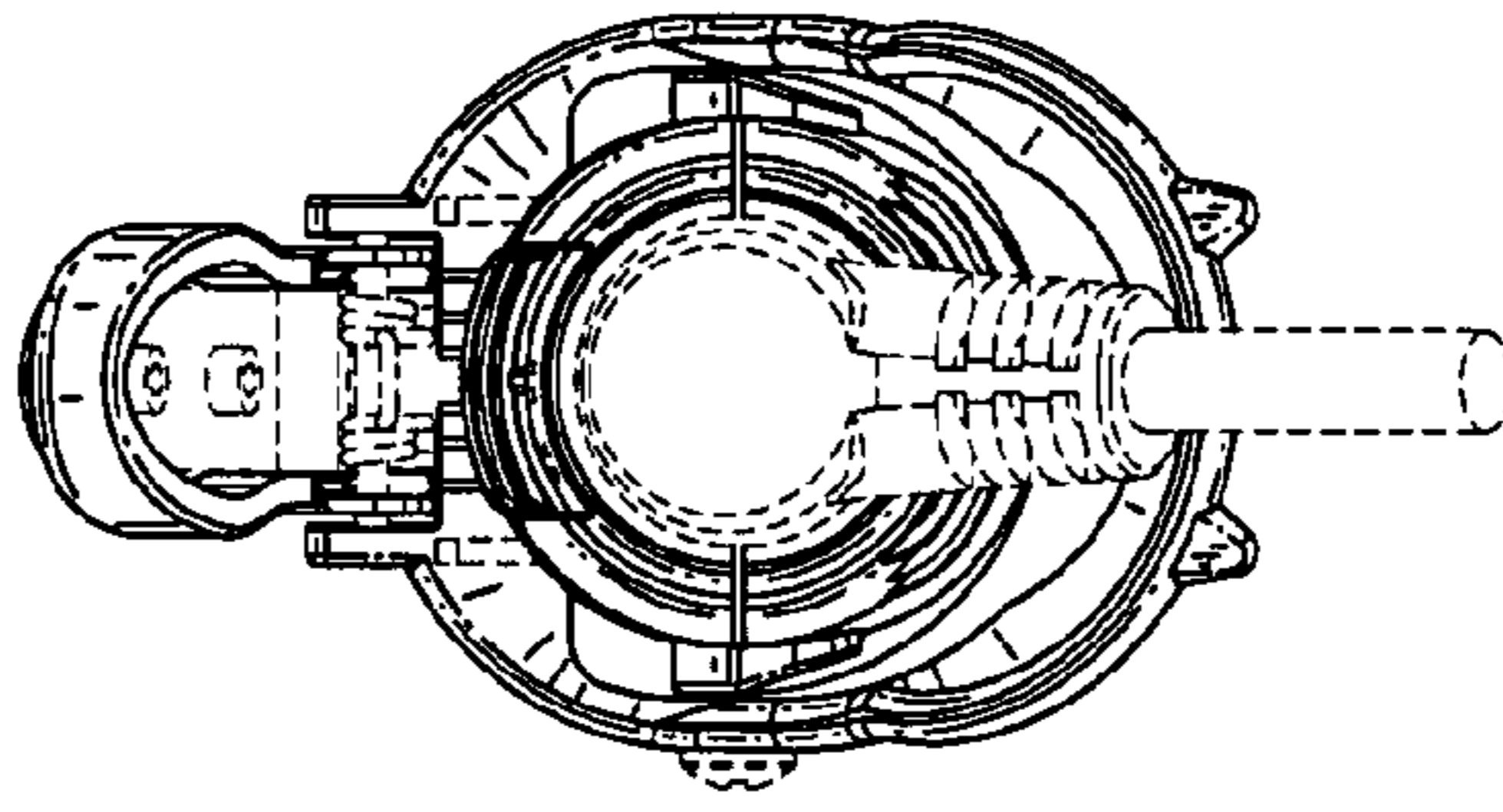


FIG. 3

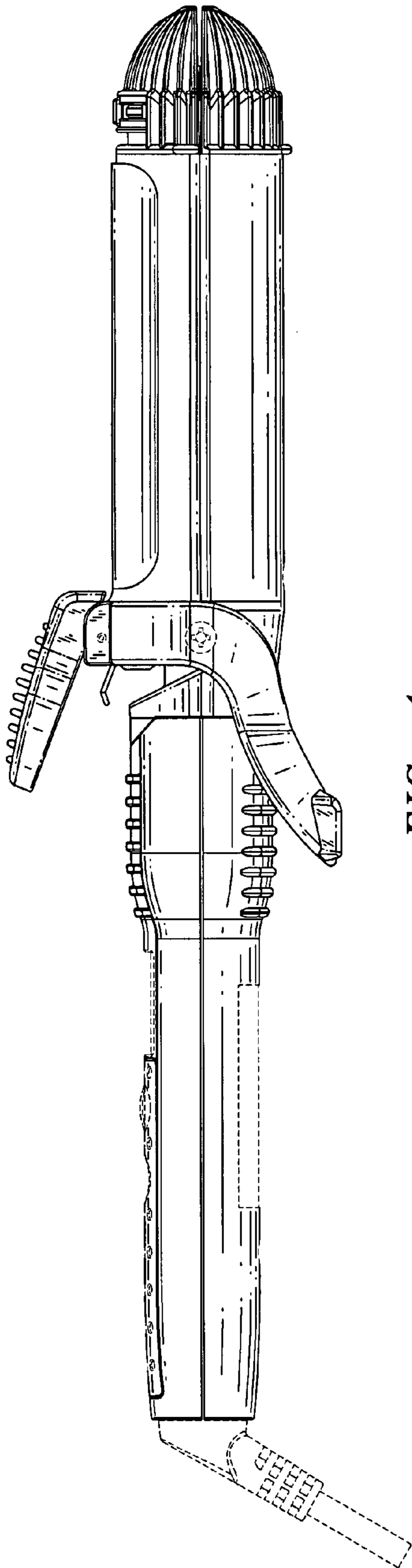


FIG. 4

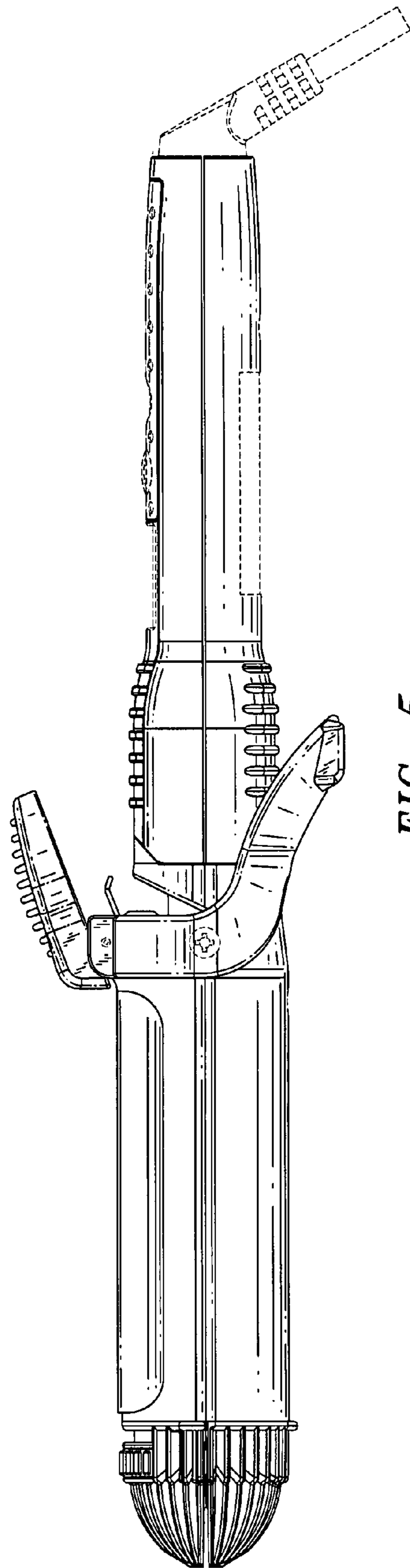


FIG. 5

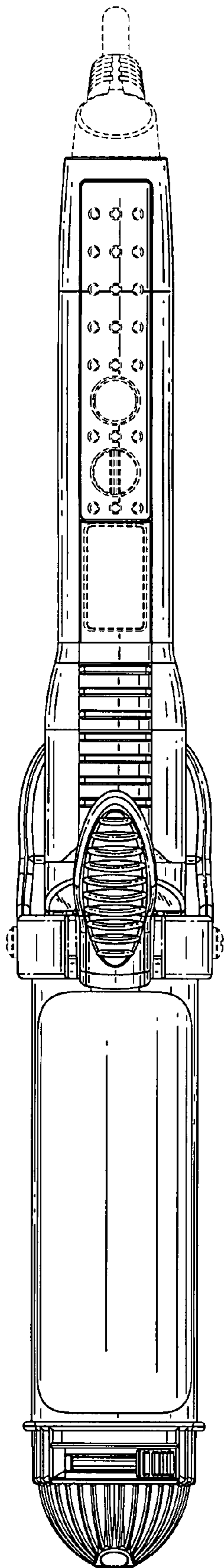


FIG. 6

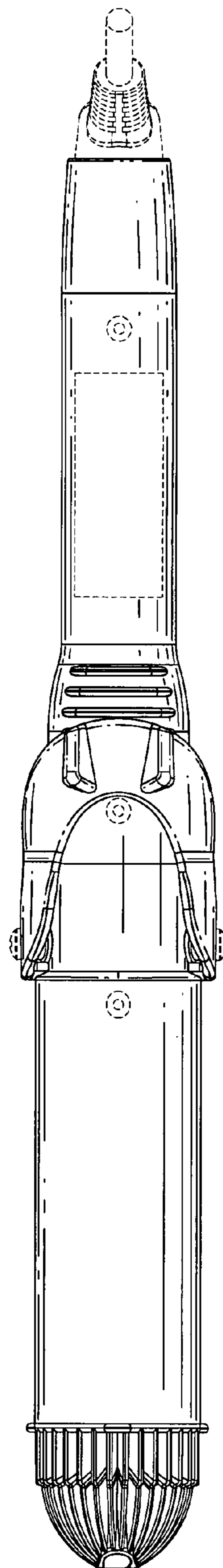


FIG. 7