



US00D556948S

(12) **United States Design Patent**  
**Leung**

(10) **Patent No.:** **US D556,948 S**

(45) **Date of Patent:** **\*\* Dec. 4, 2007**

(54) **CURLING IRON**

2003/0052115 A1\* 3/2003 Leung ..... 219/222

(75) Inventor: **Anthony Kit Lun Leung**, North Point  
(CN)

\* cited by examiner

*Primary Examiner*—Jennifer Rivard

(73) Assignee: **Conair Corporation**, Stamford, CT  
(US)

(74) *Attorney, Agent, or Firm*—Lawrence Cruz

(\*\*) Term: **14 Years**

(57) **CLAIM**

(21) Appl. No.: **29/285,527**

I claim the ornamental design for a curling iron, as shown and described.

(22) Filed: **Mar. 30, 2007**

**DESCRIPTION**

(51) **LOC (8) Cl.** ..... **28-03**

FIG. 1 is a perspective view of a curling iron showing my new design;

(52) **U.S. Cl.** ..... **D28/35**

FIG. 2 is a front view thereof;

(58) **Field of Classification Search** ..... 132/222–225,  
132/227–229, 236, 245; 219/222, 225, 226;  
D28/35

FIG. 3 is a rear view thereof;

FIG. 4 is a bottom view thereof;

See application file for complete search history.

FIG. 5 is a top view thereof;

FIG. 6 is a right side view thereof; and,

FIG. 7 is a left side view.

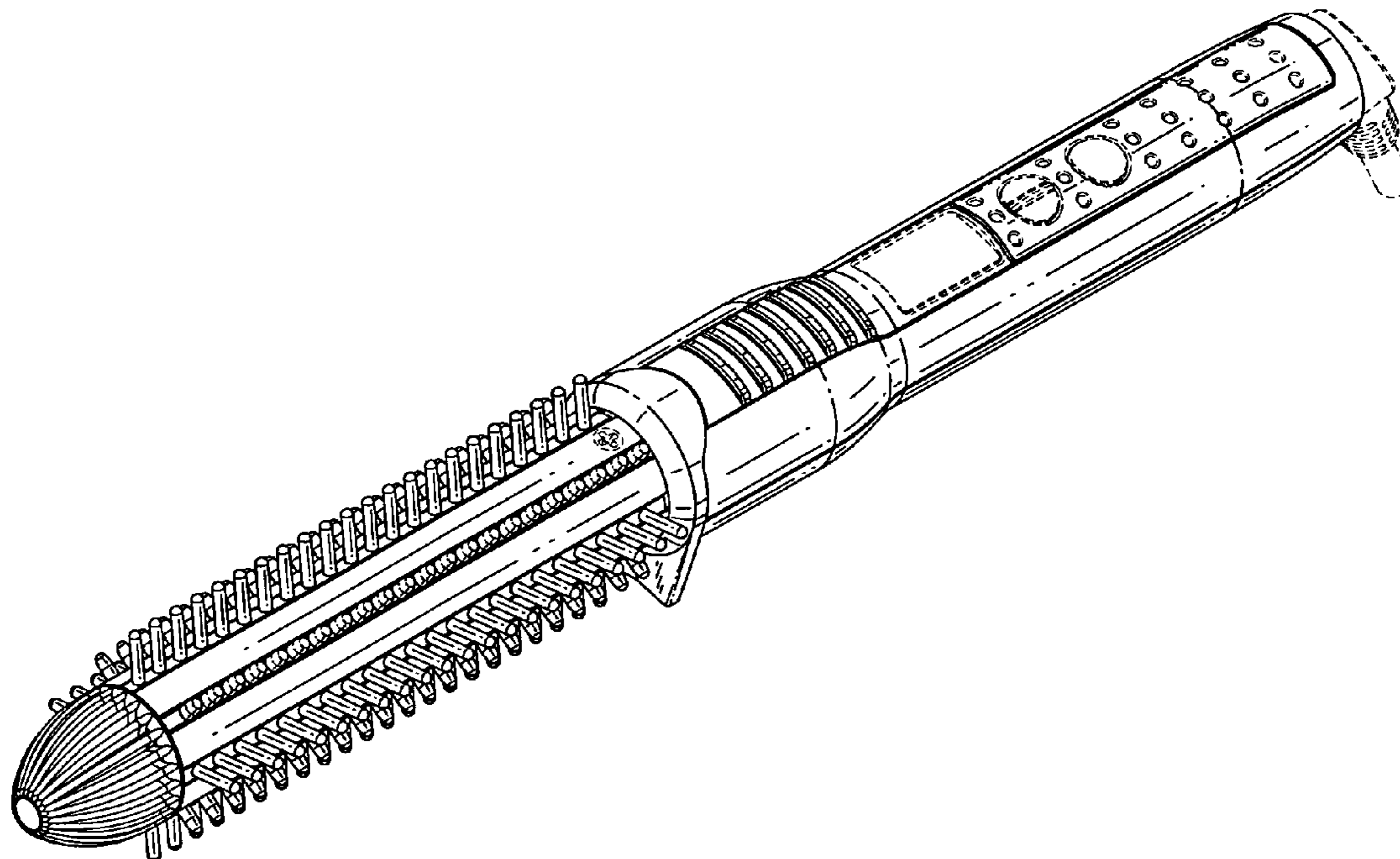
(56) **References Cited**

The broken lines are shown for illustrative purposes only and form no part of the claimed design.

**U.S. PATENT DOCUMENTS**

D289,697 S *	5/1987	Yui	.....	D28/35
D294,743 S *	3/1988	Seki et al.	.....	D28/35
D314,064 S *	1/1991	Ho	.....	D28/35
D455,861 S *	4/2002	McCurrach	.....	D28/35

**1 Claim, 3 Drawing Sheets**



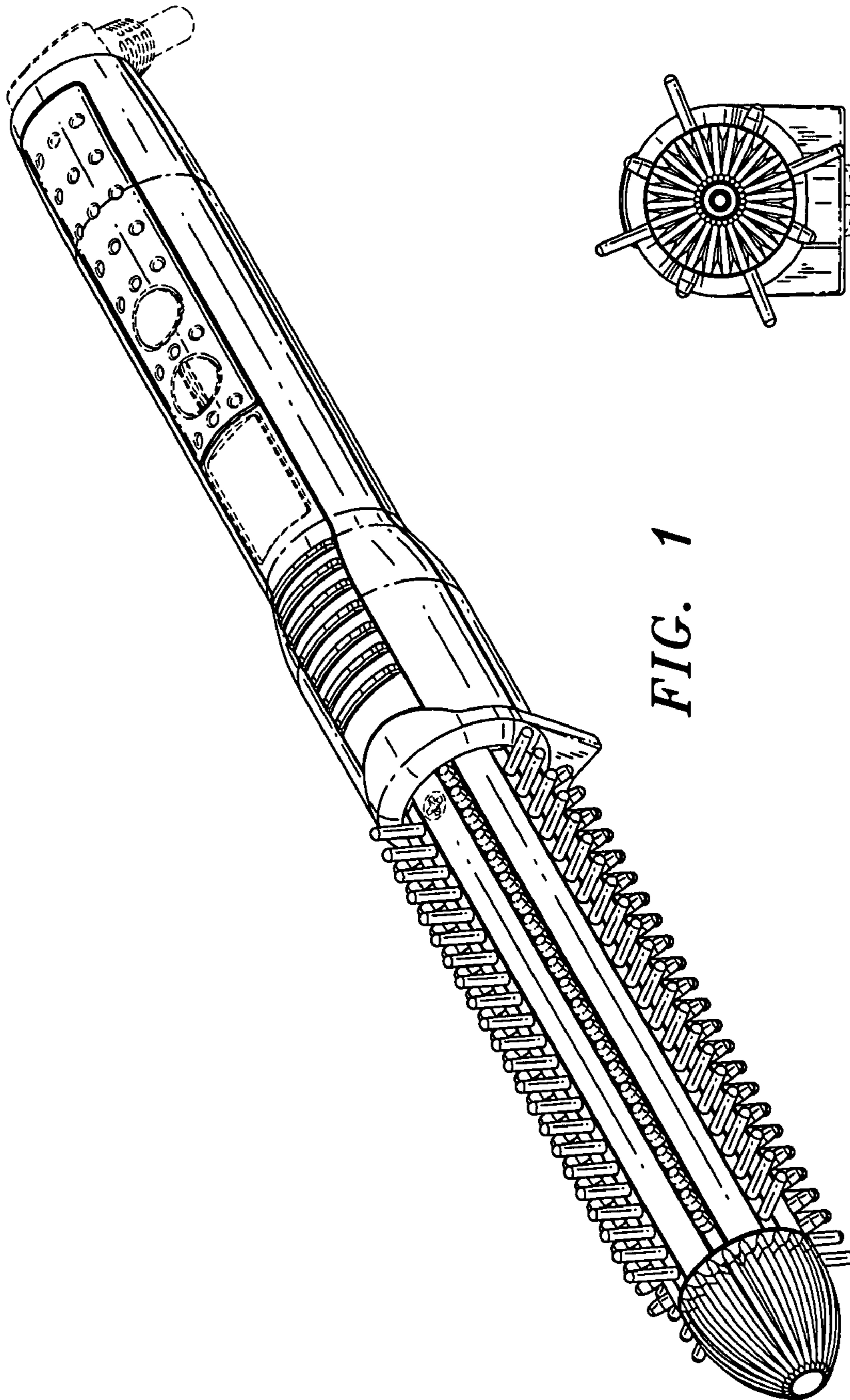


FIG. 1

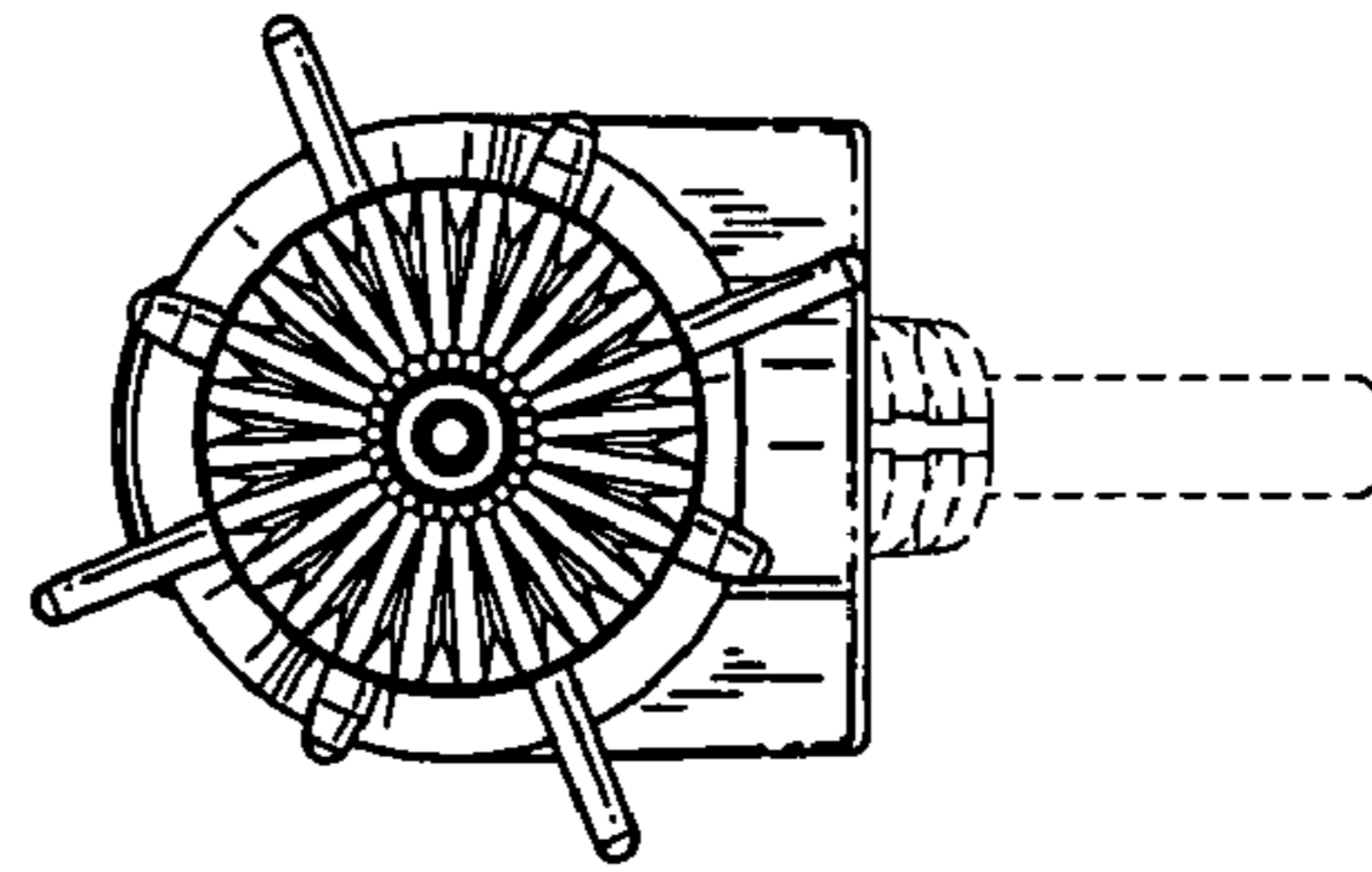


FIG. 2

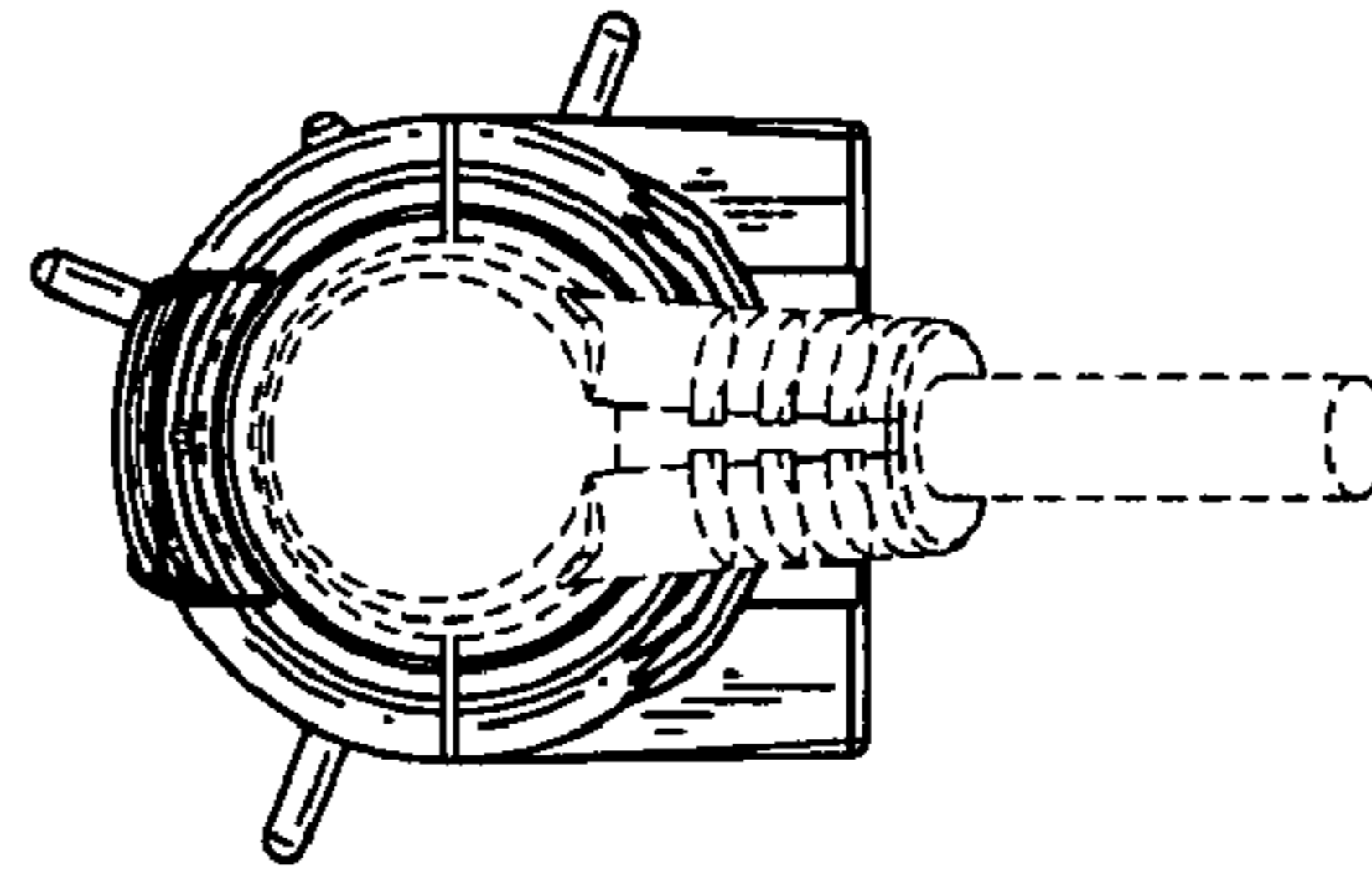


FIG. 3

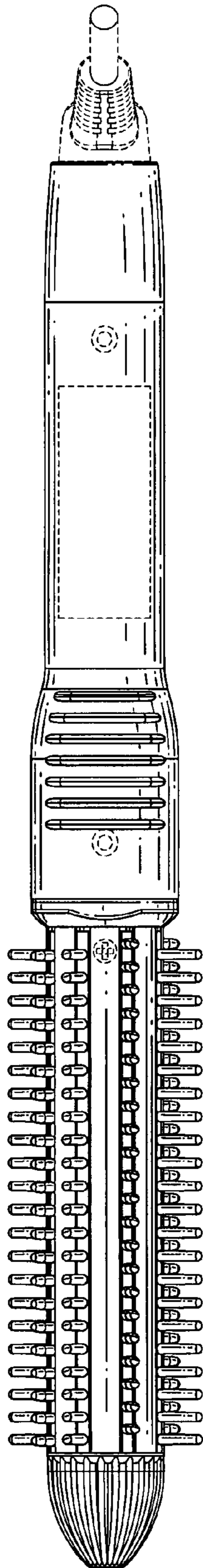


FIG. 4

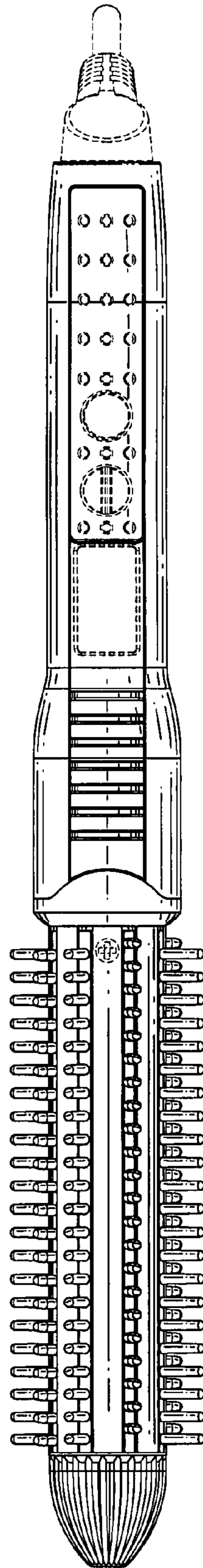


FIG. 5



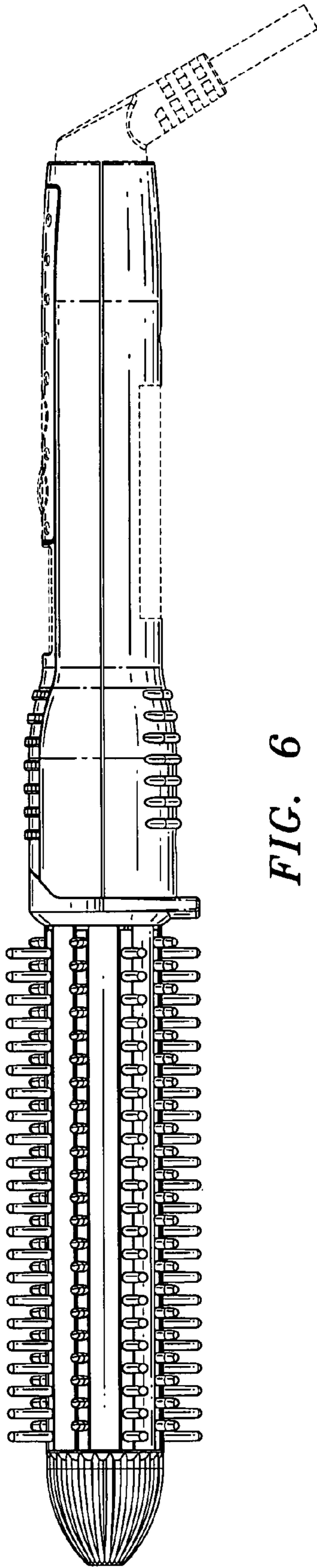


FIG. 6

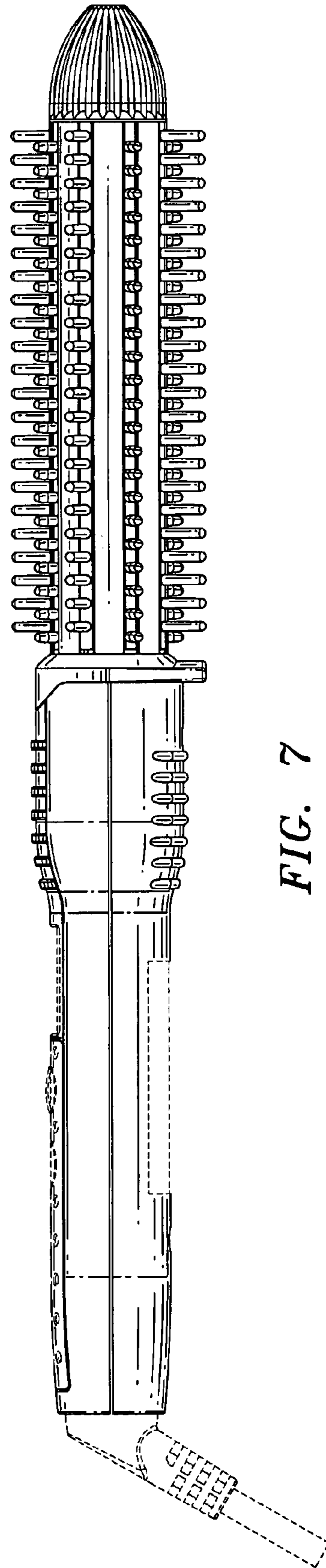


FIG. 7