



US00D556945S

(12) **United States Design Patent**
Compton

(10) **Patent No.:** **US D556,945 S**

(45) **Date of Patent:** **** Dec. 4, 2007**

(54) **LIGHTING FIXTURE SUPPORT ARM**

D537,196 S * 2/2007 Summerford et al. D26/155

(75) Inventor: **Wayne W. Compton**, Chino Hills, CA
(US)

* cited by examiner

(73) Assignee: **Hubbell Incorporated**, Orange, CT
(US)

Primary Examiner—Freda S. Nunn

Assistant Examiner—Kevin K. Rudzinski

(74) *Attorney, Agent, or Firm*—Jenae C. Avallone; Mark S. Bicks; Alfred N. Goodman

(**) Term: **14 Years**

(57) **CLAIM**

(21) Appl. No.: **29/222,800**

The ornamental design for a lighting fixture support arm, as shown and described.

(22) Filed: **Feb. 4, 2005**

DESCRIPTION

(51) **LOC (8) Cl.** **26-99**

FIG. 1 is a top plan view of a lighting fixture support arm in accordance with a first embodiment of the present invention;

(52) **U.S. Cl.** **D26/155**

FIG. 2 is a left side view thereof;

(58) **Field of Classification Search** D26/155,

FIG. 3 is a front view thereof;

D26/138, 145, 142, 87, 92, 63, 80, 84, 152,

FIG. 4 is a right side view thereof;

D26/61, 64, 72, 113, 140, 1, 141, 143, 147,

FIG. 5 is a bottom view thereof;

D26/153; 362/427, 405, 147, 151, 269, 277,

FIG. 6 is a perspective view thereof showing the lighting fixture support arm supporting a light fixture mounted to a pole;

362/285, 319, 368, 369, 371; 403/164

See application file for complete search history.

FIG. 7 is a top plan view of a lighting fixture support arm in accordance with a second embodiment of the present invention;

(56) **References Cited**

U.S. PATENT DOCUMENTS

D60,026 S *	12/1921	Howell	D26/145
D63,602 S *	12/1923	Ainsworth	D26/145
D72,912 S *	6/1927	Peinlich	D26/145
D73,934 S *	11/1927	Lindsay	D26/145
D200,593 S *	3/1965	Pettengill	D26/145
D357,547 S *	4/1995	Layh	D26/63
5,918,970 A *	7/1999	Brohard et al.	362/370
D441,130 S *	4/2001	Compton et al.	D26/155
D454,975 S *	3/2002	De'Armond et al.	D26/155
D465,302 S *	11/2002	Compton et al.	D26/155
D479,624 S *	9/2003	Svendsen et al.	D26/155

FIG. 8 is a left side view thereof;

FIG. 9 is a front view thereof;

FIG. 10 is a right side view thereof; and,

FIG. 11 is a bottom view thereof.

The broken lines are shown for illustrative purposes only and form no part of the claimed design.

1 Claim, 3 Drawing Sheets

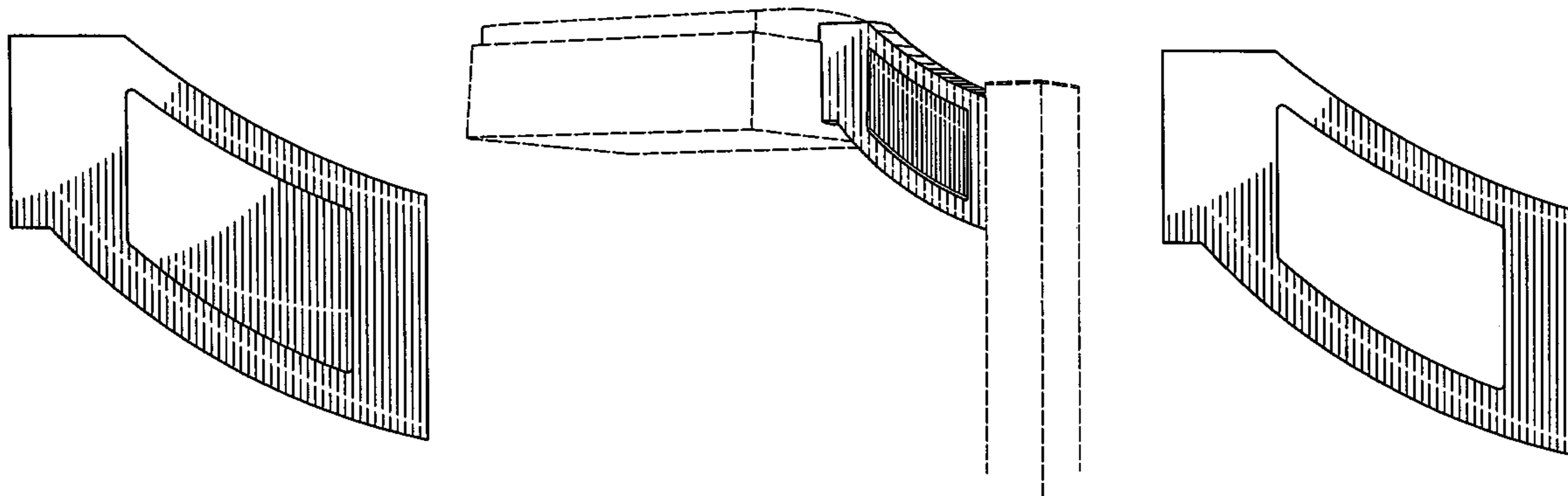




FIG. 1

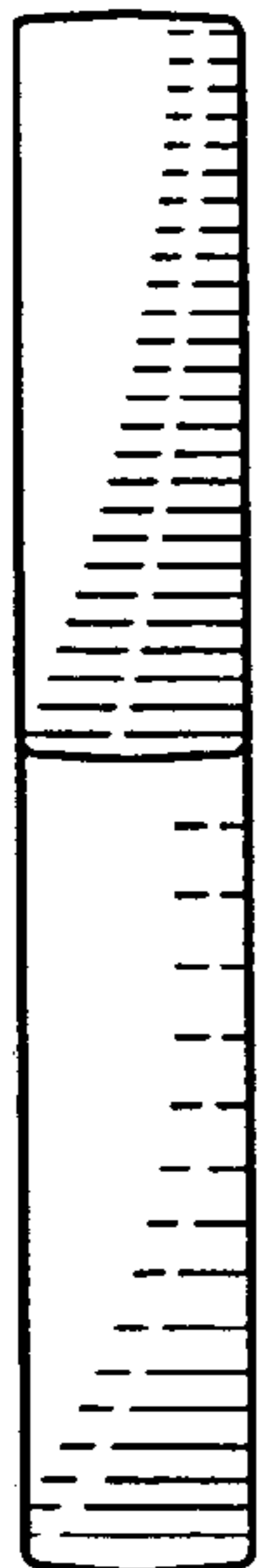


FIG. 2

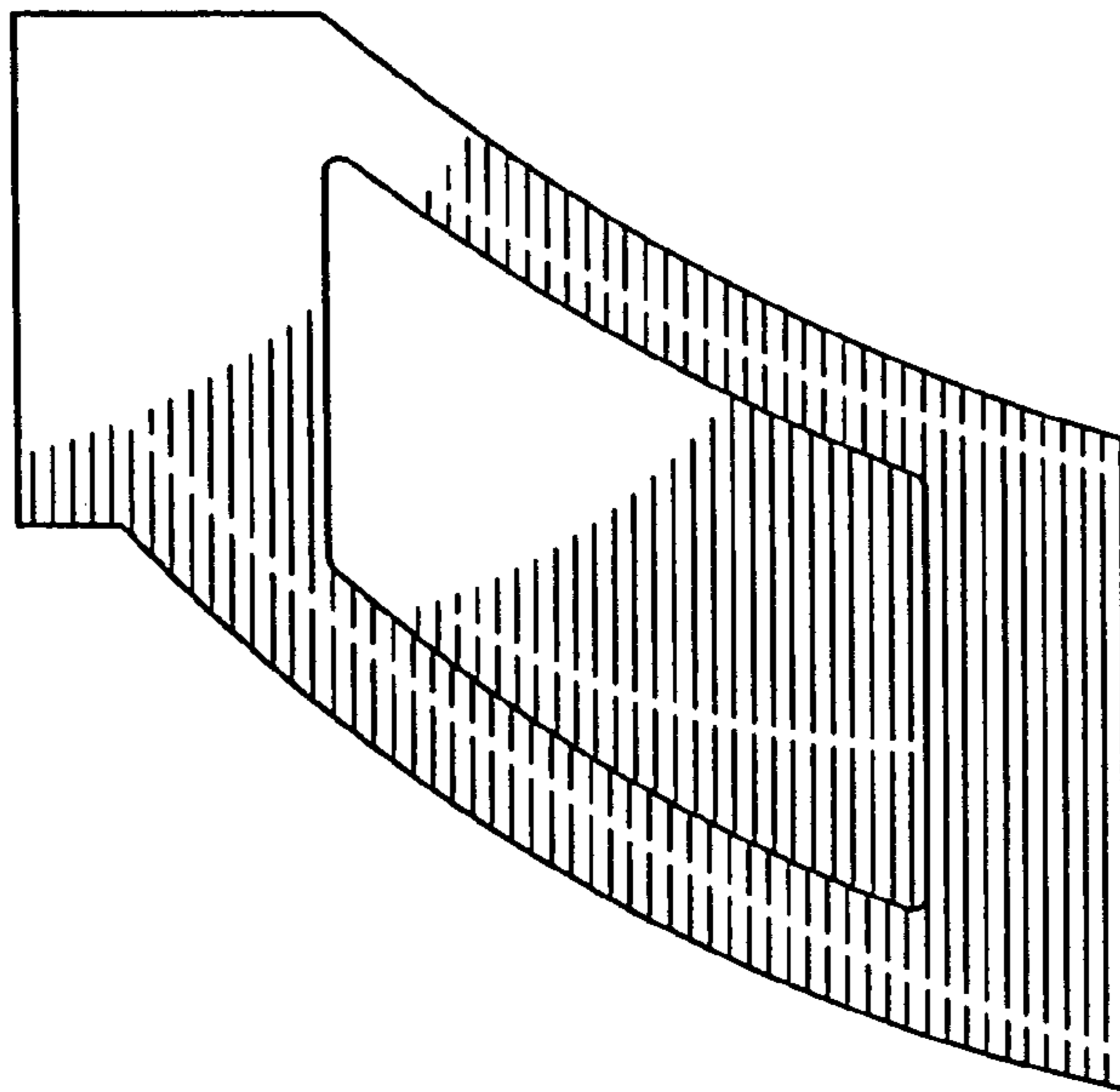


FIG. 3

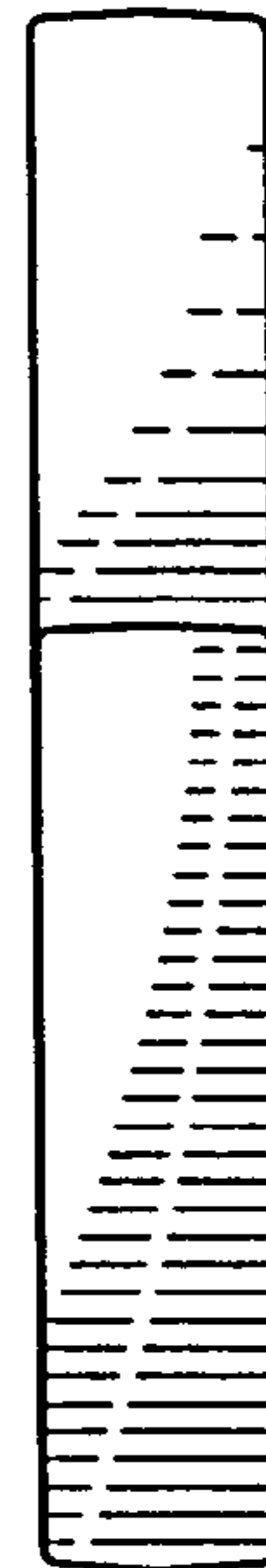


FIG. 4

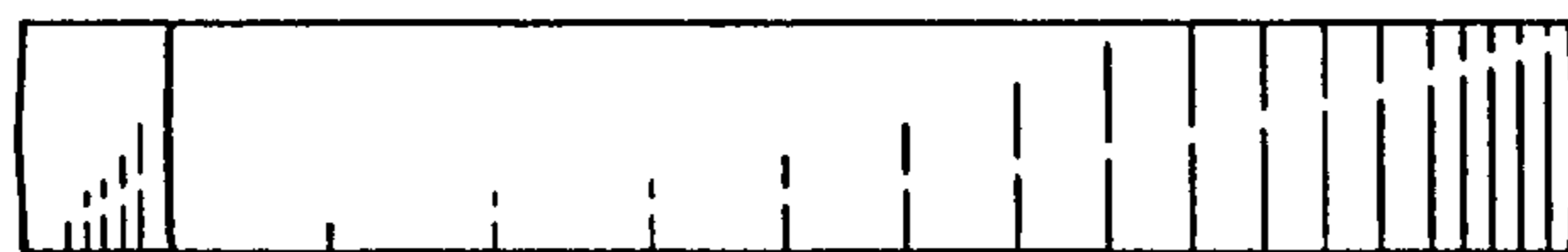


FIG. 5

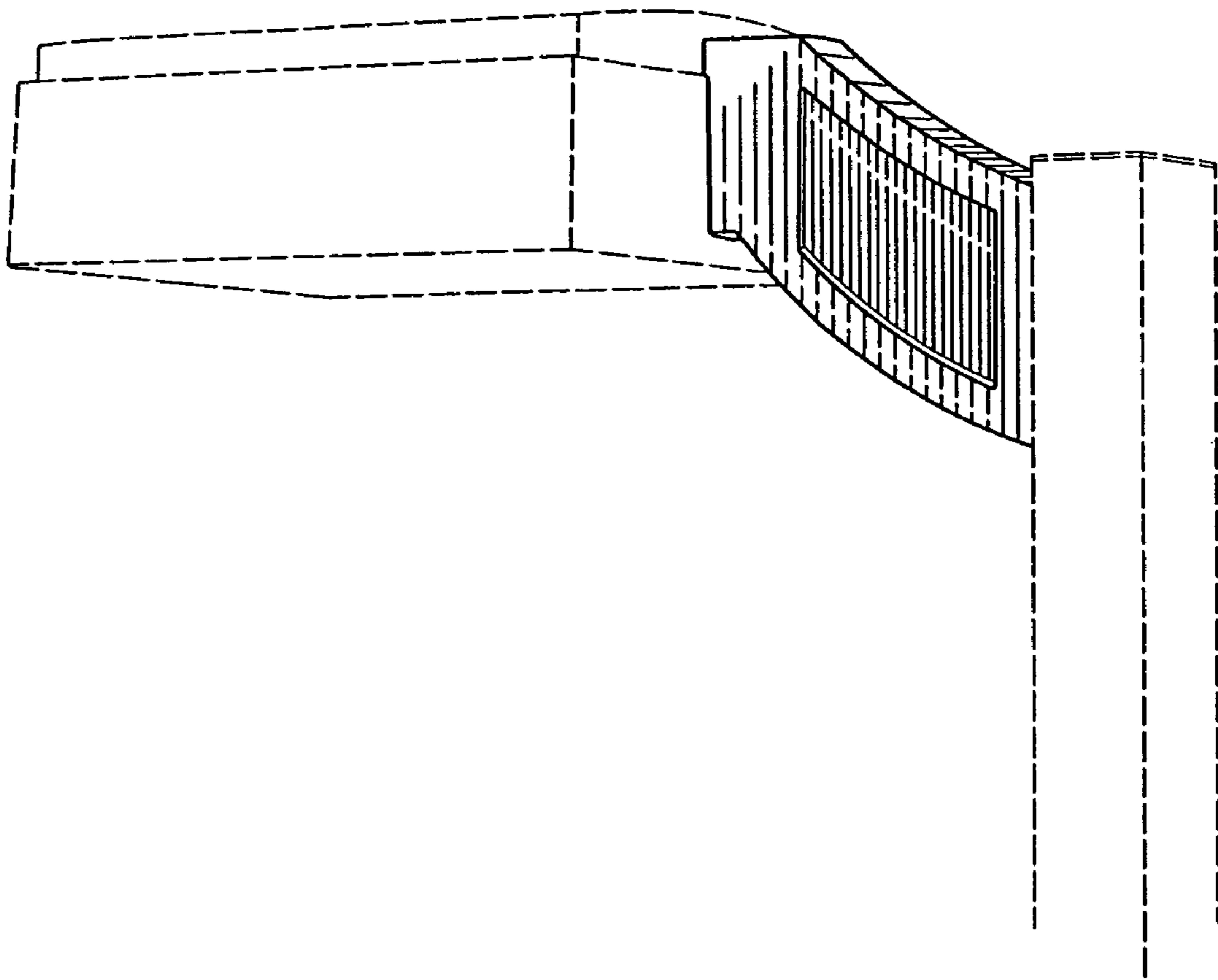


FIG. 6

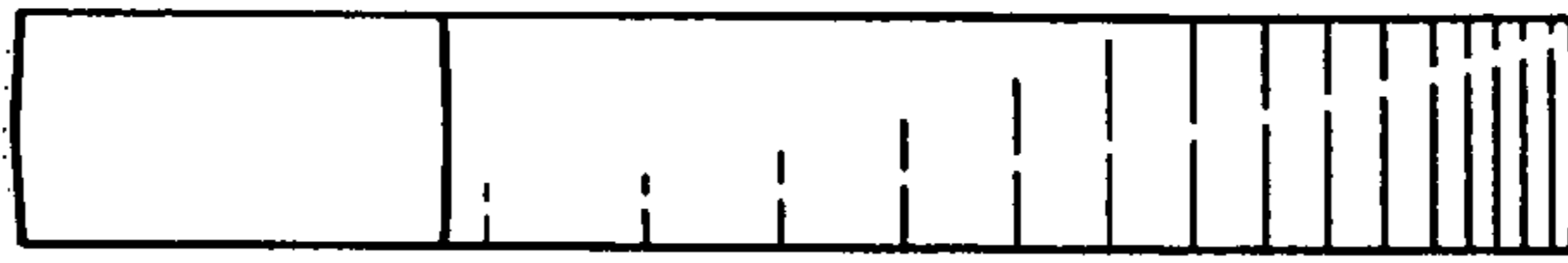


FIG. 7

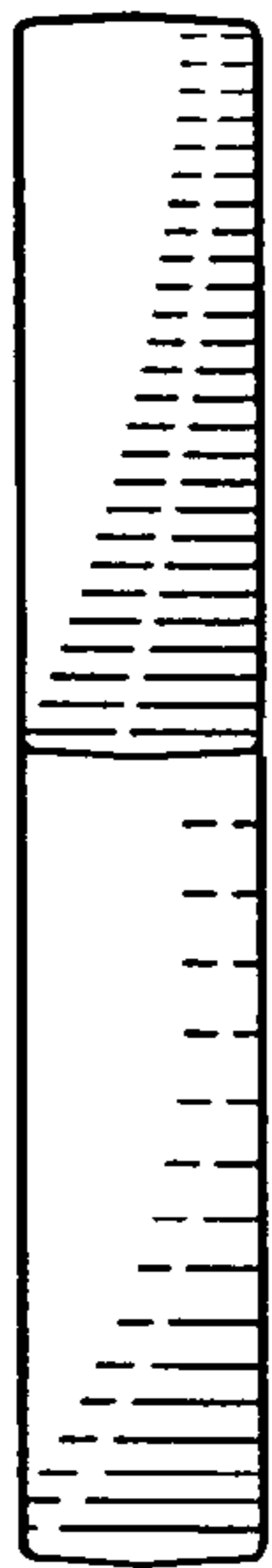


FIG. 8

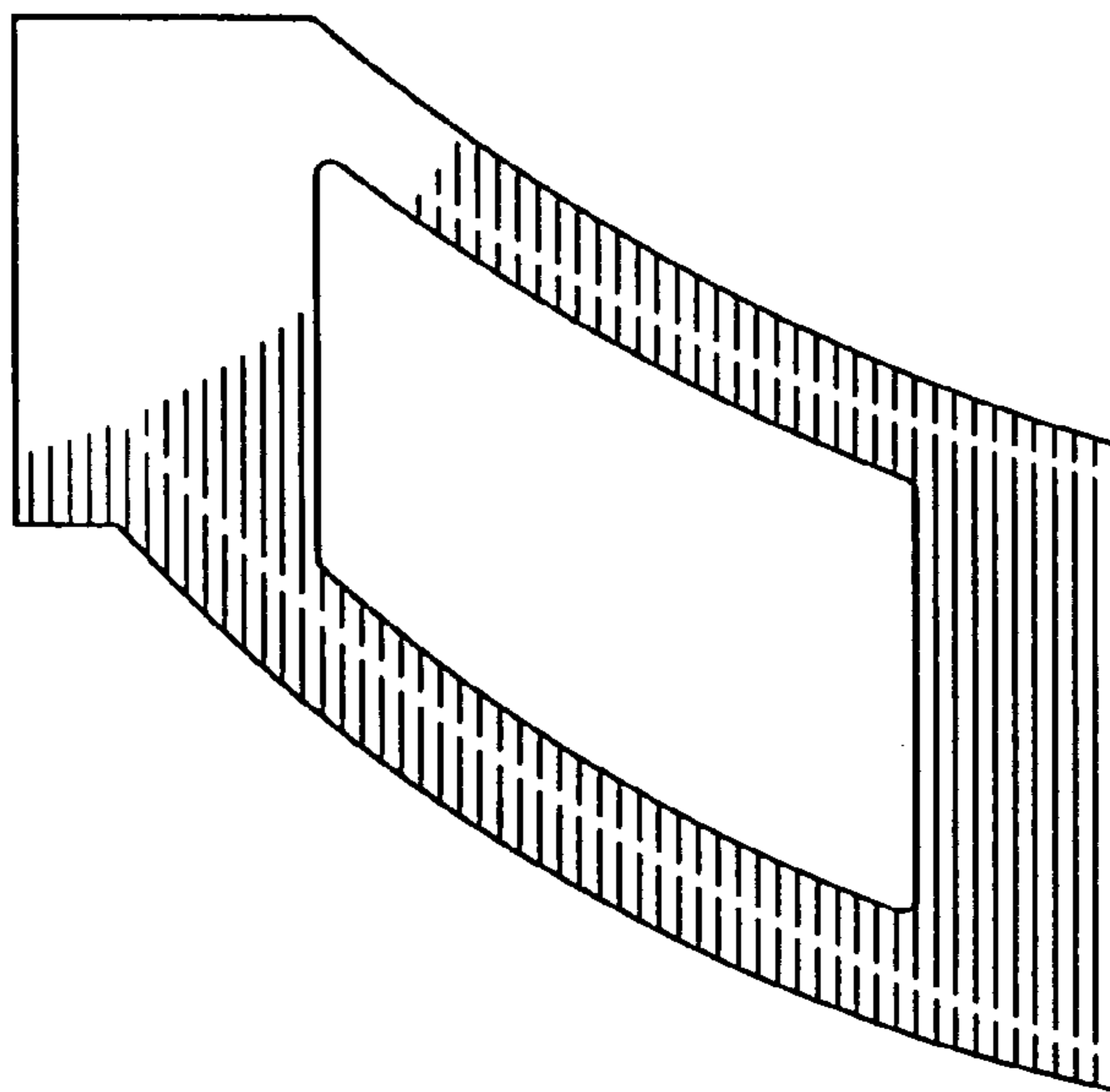


FIG. 9



FIG. 10

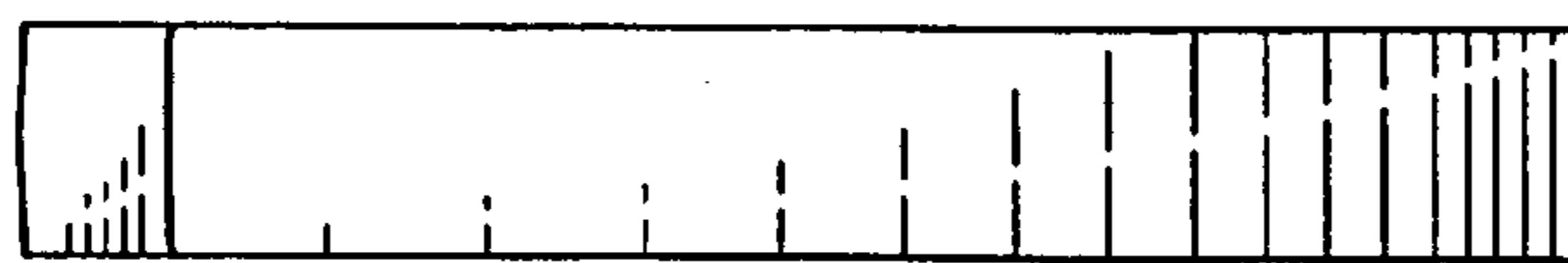


FIG. 11