



US00D556941S

(12) **United States Design Patent**  
**Hidalgo**

(10) **Patent No.:** **US D556,941 S**

(45) **Date of Patent:** **\*\* Dec. 4, 2007**

(54) **LIGHT FIXTURE**

(75) Inventor: **Rolando Hidalgo**, Orange, CA (US)

(73) Assignee: **Minka Lighting, Inc.**, Corona, CA (US)

(\*\*) Term: **14 Years**

(21) Appl. No.: **29/249,971**

(22) Filed: **Oct. 27, 2006**

(51) **LOC (8) Cl.** ..... **26-03**

(52) **U.S. Cl.** ..... **D26/89; D26/59; D26/132**

(58) **Field of Classification Search** ..... D26/59,  
D26/72, 84, 85, 88, 89, 128, 130-136; D23/377,  
D23/379, 411; 416/5; 362/96, 147, 312,  
362/404-408

See application file for complete search history.

(56) **References Cited**

**U.S. PATENT DOCUMENTS**

D49,560 S *	8/1916	Bayley	.....	D26/89
D49,565 S *	8/1916	Bayley	.....	D26/88
D60,475 S *	2/1922	Strahan et al.	.....	D26/130
D62,582 S *	6/1923	Pfleager	.....	D26/88
D76,172 S *	8/1928	Wolter	.....	D26/88
D139,439 S *	11/1944	Knoblock	.....	D26/134
5,681,147 A *	10/1997	Yung-Chung	.....	416/5
D457,235 S *	5/2002	Hidalgo	.....	D23/411
D496,489 S *	9/2004	Thomas, Jr.	.....	D26/128
D532,921 S *	11/2006	Flores	.....	D26/89

**OTHER PUBLICATIONS**

U.S. Appl. No. 29/249,967, filed on Oct. 27, 2006.

U.S. Appl. No. 29/250,243, filed on Oct. 27, 2006.

U.S. Appl. No. 29/250,218, filed on Oct. 27, 2006.

Hunter Internet Catalog; Piedmont ceiling fan; Model HU-25417; printed from hansenwholesale.com on Nov. 10, 2006.

Emerson Internet Catalog; Lorraine ceiling fan; Model EM-KF240PRZ; printed from hansenwholesale.com on Nov. 10, 2006.

\* cited by examiner

*Primary Examiner*—Clare E Heflin

(74) *Attorney, Agent, or Firm*—Baker & McKenzie LLP

(57) **CLAIM**

The ornamental design for a light fixture, as shown and described.

**DESCRIPTION**

FIG. 1 is a perspective view from below of a light fixture in accordance with my design;

FIG. 2 is a reduced top plan view of the light fixture in accordance with my design;

FIG. 3 is a reduced bottom plan view of the light fixture in accordance with my design;

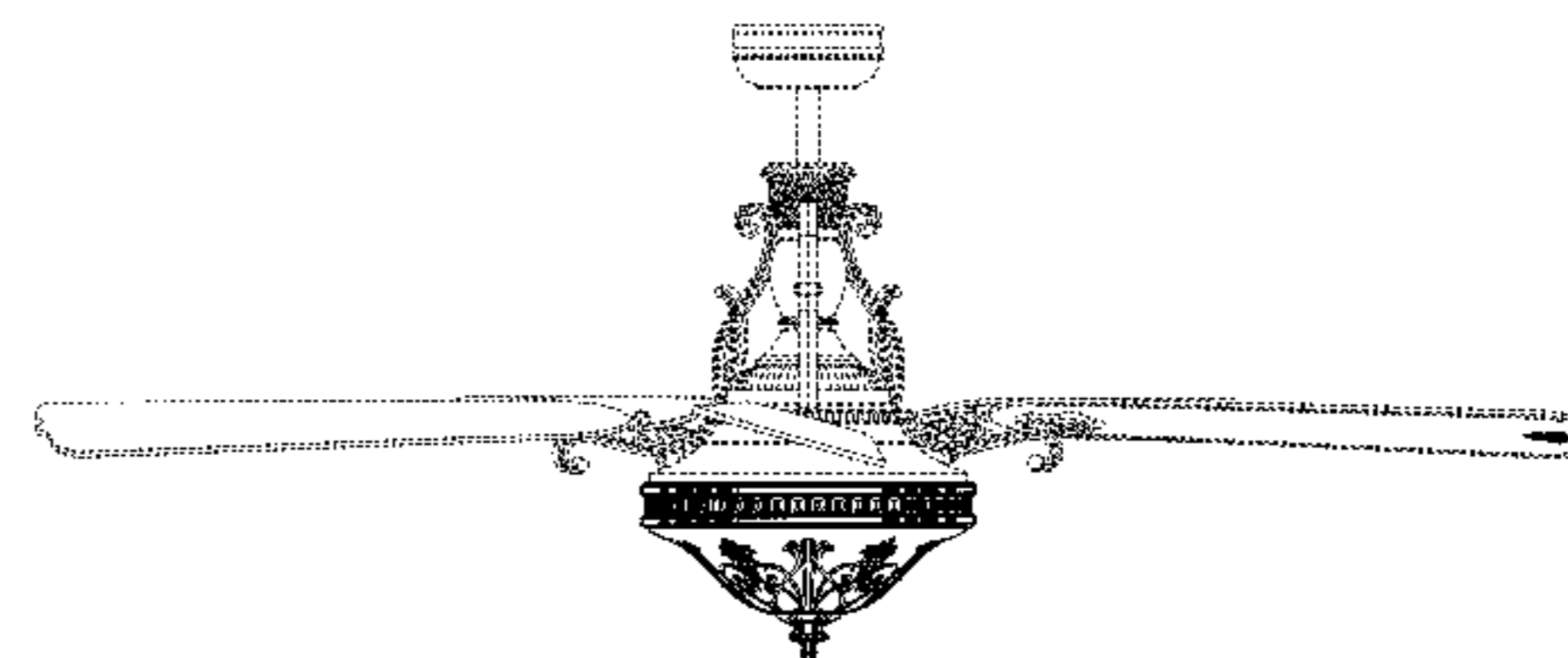
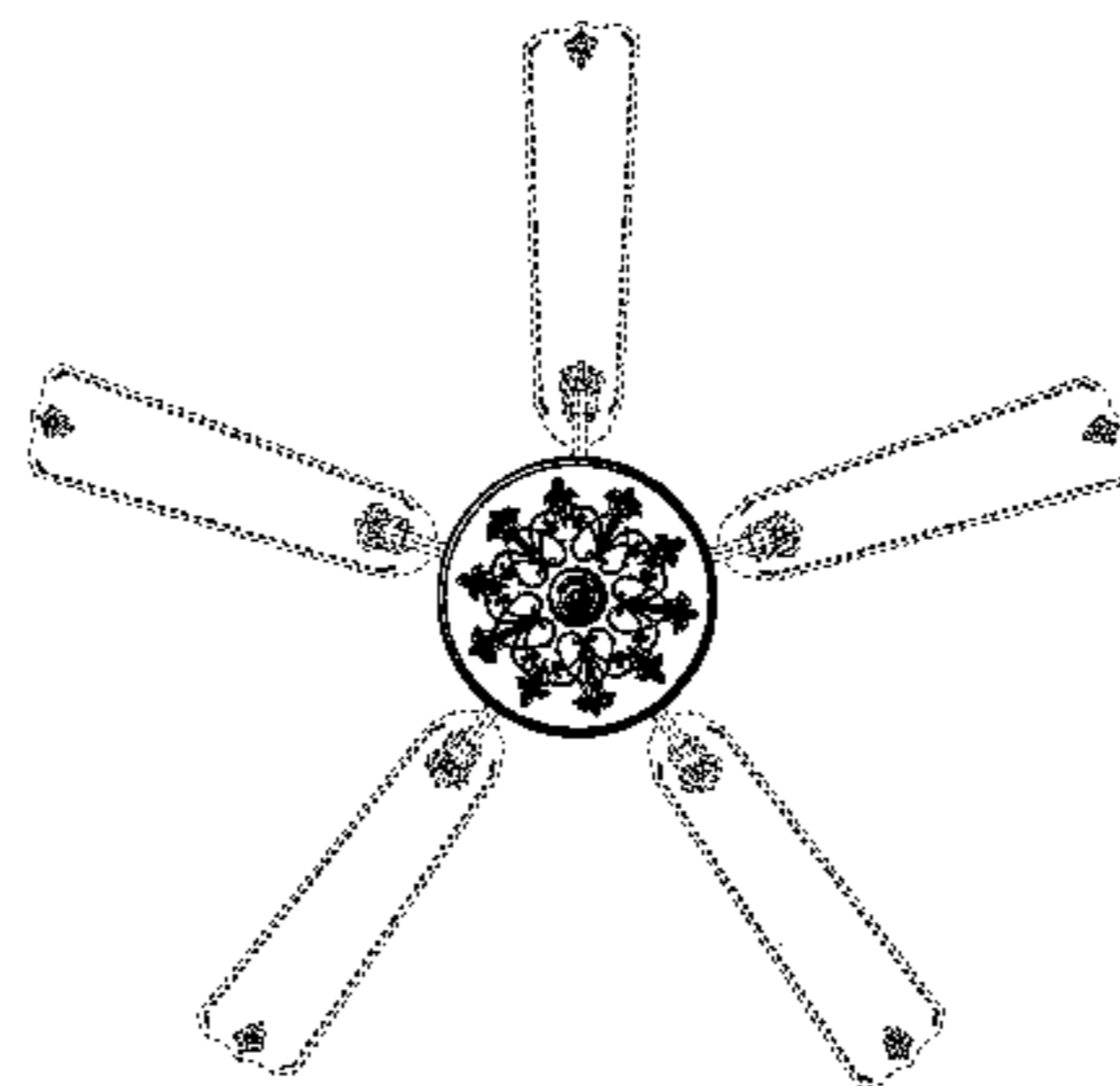
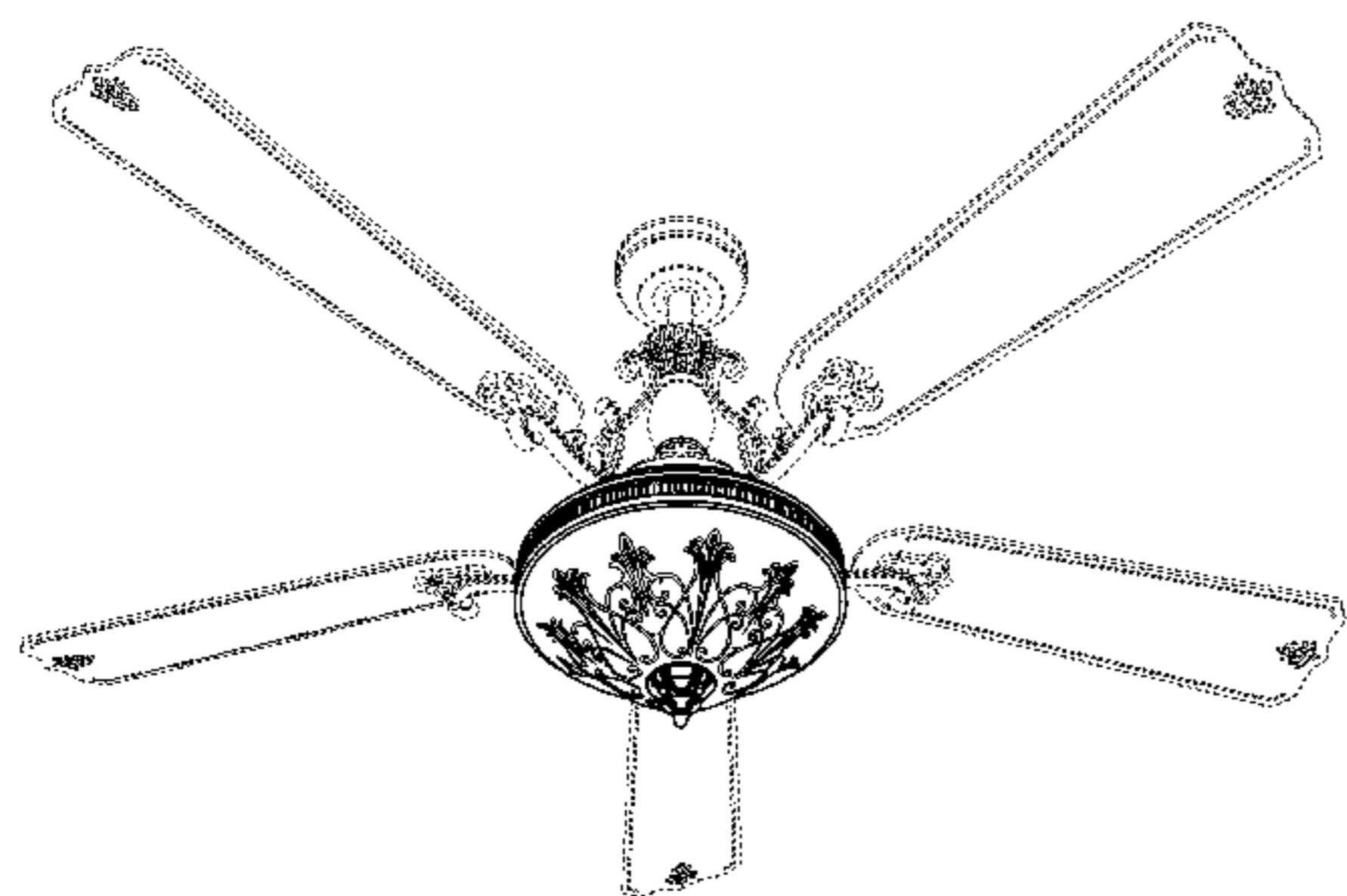
FIG. 4 is a front elevation view of the light fixture in accordance with my design;

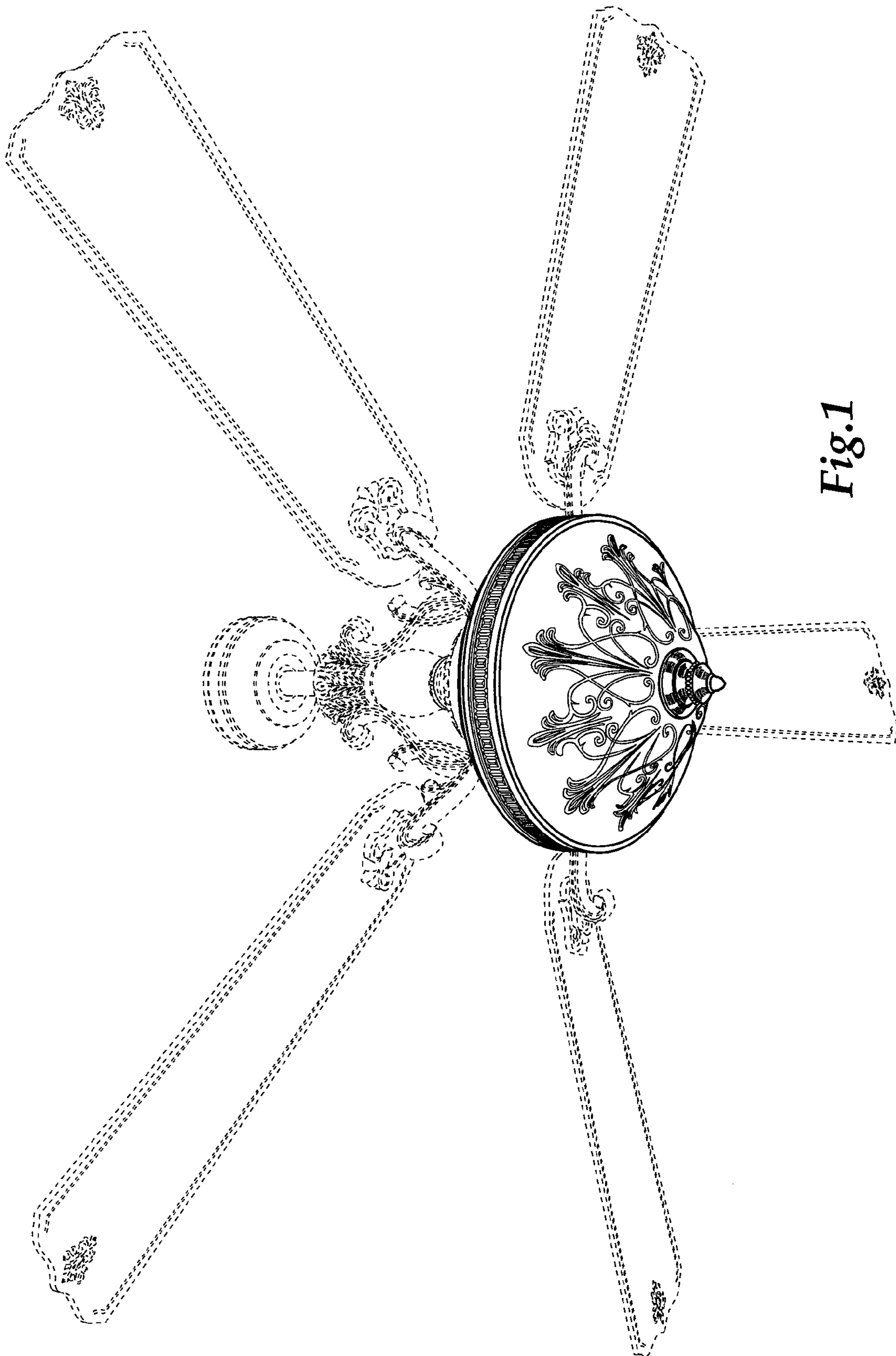
FIG. 5 is a back elevation view of the light fixture in accordance with my design; and,

FIG. 6 is a side elevation view of the light fixture in accordance with my design, the opposite side being a mirror image of that shown.

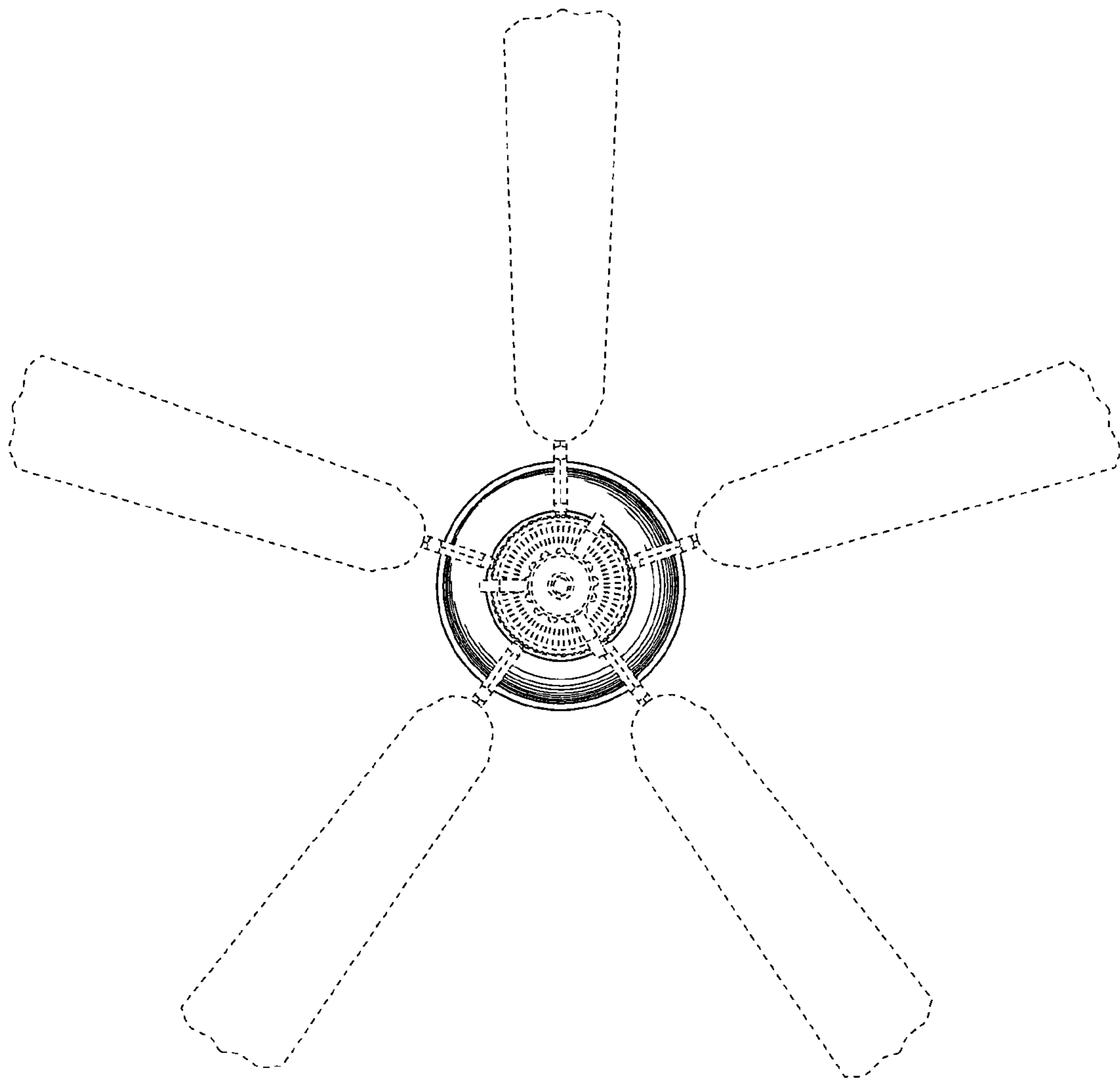
The broken lines showing environmental structure are for illustrative purposes and form no part of the claimed design.

**1 Claim, 6 Drawing Sheets**

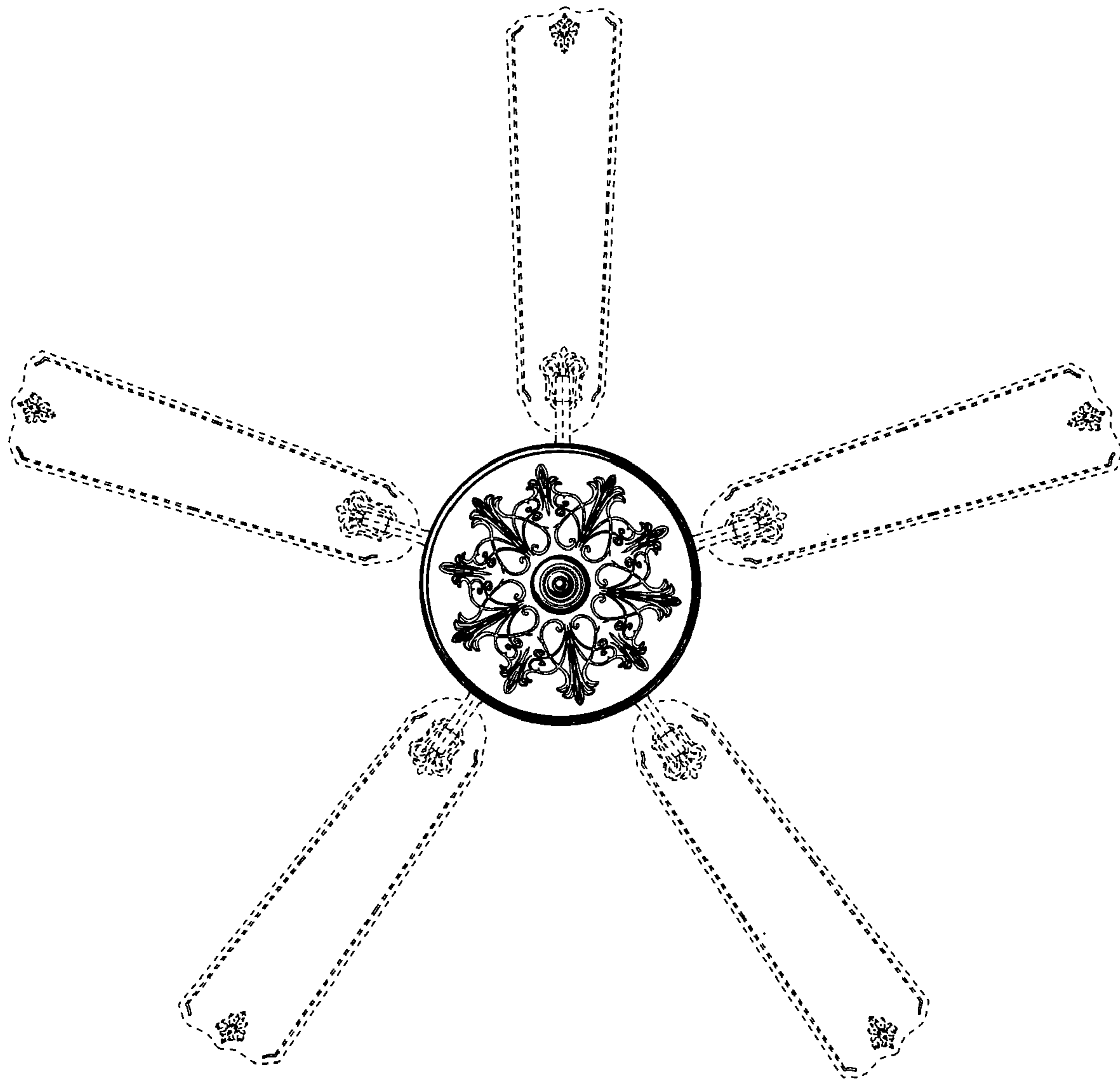




*Fig. 1*



*Fig.2*



*Fig.3*

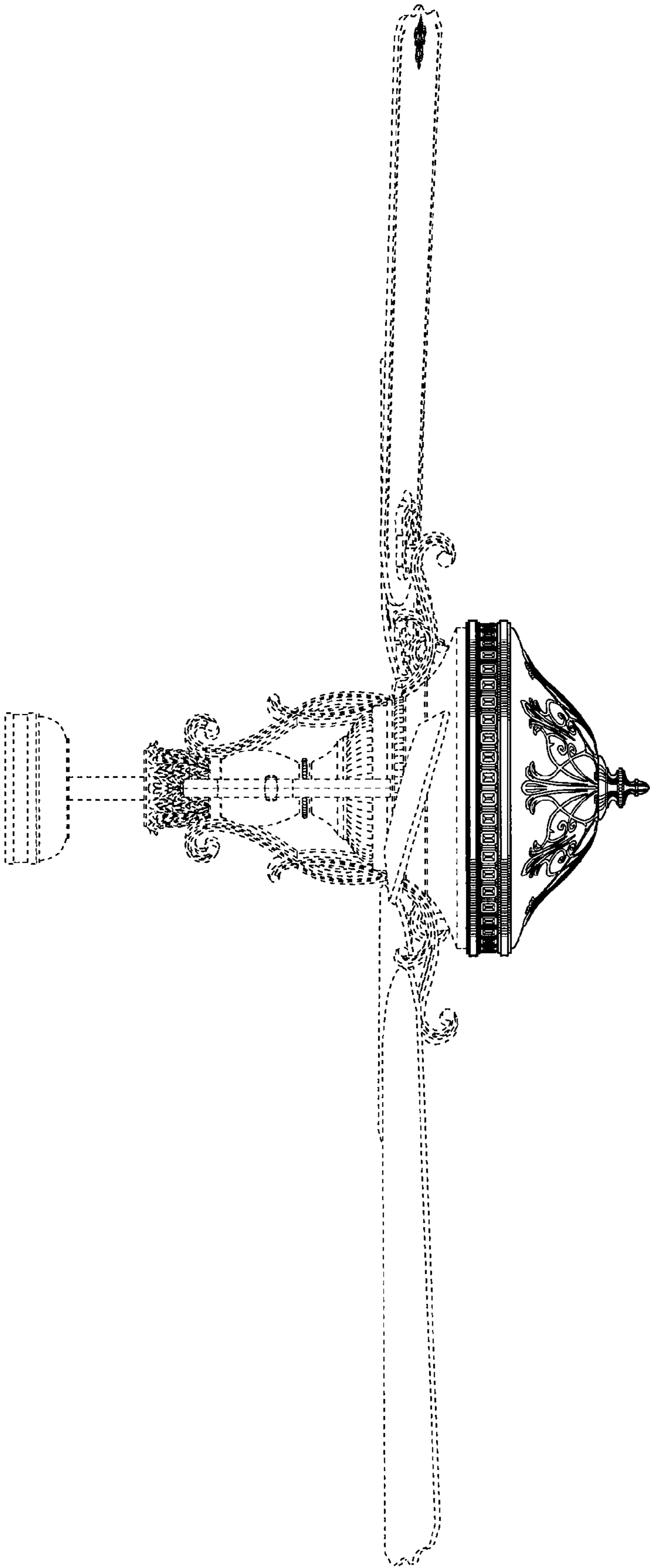
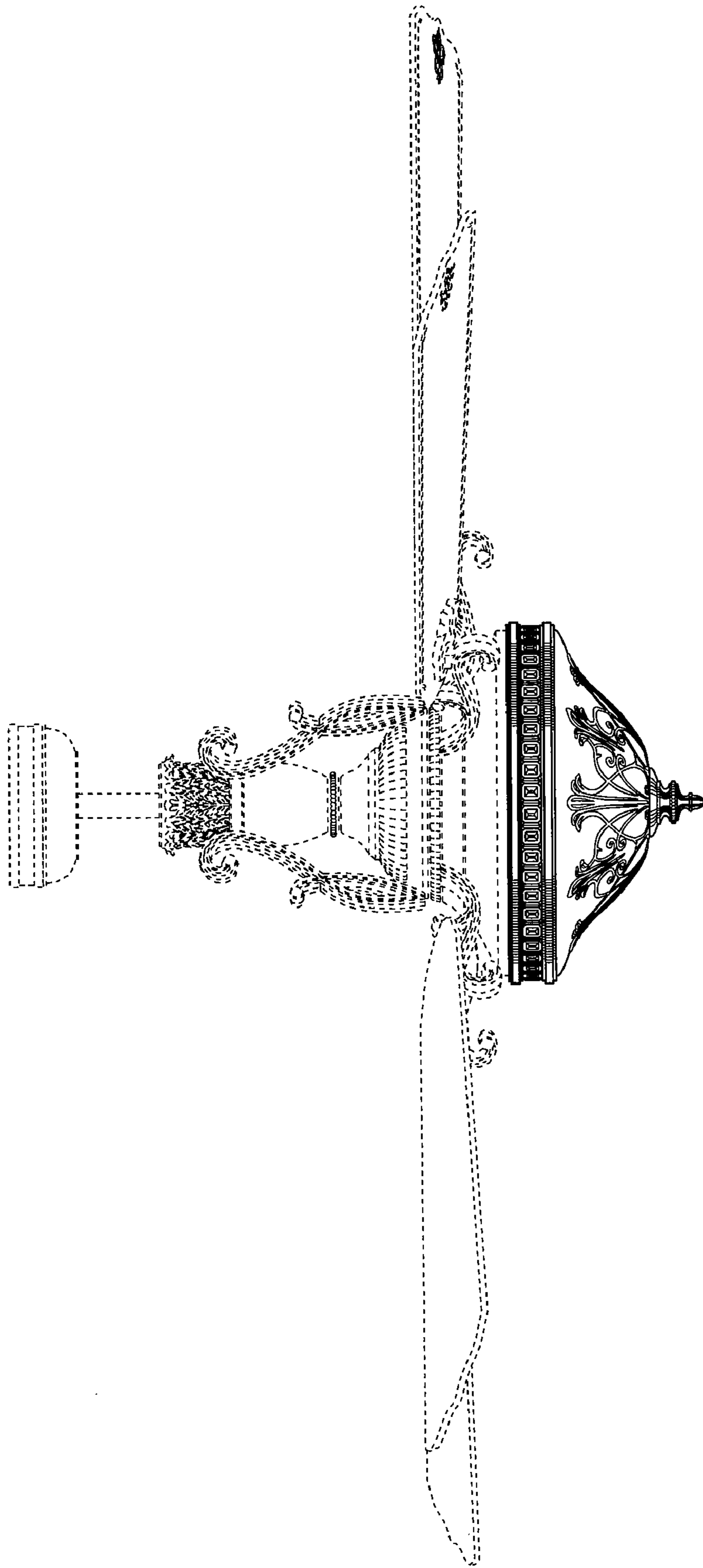


Fig.4



*Fig. 5*

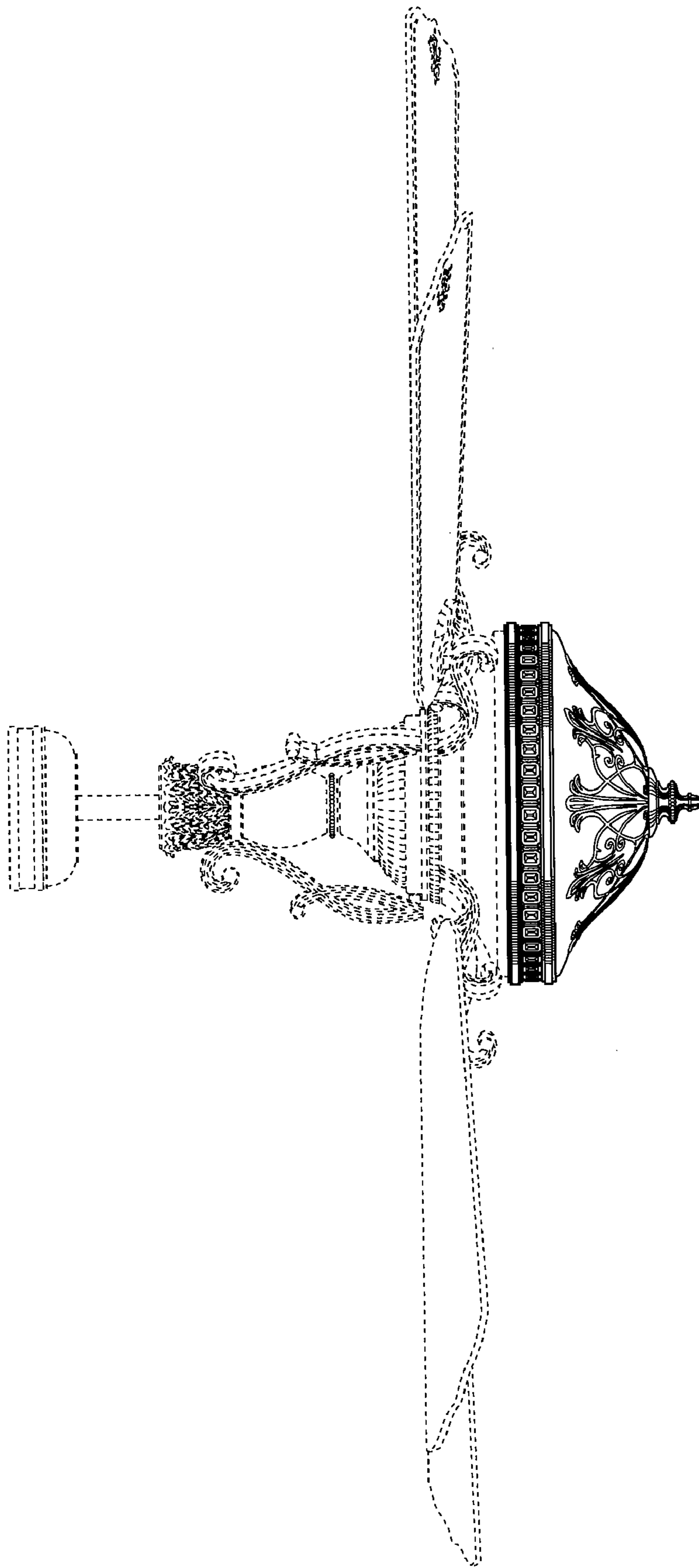


Fig. 6