



US00D556939S

(12) **United States Design Patent**  
**Gajewski**

(10) **Patent No.:** **US D556,939 S**

(45) **Date of Patent:** **\*\* Dec. 4, 2007**

(54) **LIGHT FIXTURE**

(75) Inventor: **Mark Gajewski**, Avila Beach, CA (US)

(73) Assignee: **Minka Lighting, Inc.**, Corona, CA (US)

(\*\*) Term: **14 Years**

(21) Appl. No.: **29/249,802**

(22) Filed: **Oct. 23, 2006**

(51) **LOC (8) Cl.** ..... **26-03**

(52) **U.S. Cl.** ..... **D26/89; D26/59; D26/128**

(58) **Field of Classification Search** ..... D26/59,  
D26/72, 84, 85, 88, 89, 128, 130-136; D23/377,  
D23/379, 411; 416/5; 362/96, 147, 312,  
362/404-408

See application file for complete search history.

(56) **References Cited**

**U.S. PATENT DOCUMENTS**

D31,587 S *	10/1899	Rhind	.....	D26/128
D50,131 S *	1/1917	Hoeverler	.....	D26/128
D63,887 S *	2/1924	Dickerson	.....	D26/131
D169,972 S *	7/1953	Glatthar et al.	.....	D26/89
D189,313 S *	11/1960	Rambusch	.....	D26/88
3,182,187 A *	5/1965	Gellert	.....	362/366
D242,943 S *	1/1977	Lazerson	.....	D26/88
D383,565 S *	9/1997	Demshki, Jr. et al.	.....	D26/131
D435,683 S *	12/2000	Hoffbauer	.....	D26/135
D448,108 S *	9/2001	Hoffbauer	.....	D26/128
D478,185 S *	8/2003	Brunner	.....	D26/128

**OTHER PUBLICATIONS**

U.S. Appl. No. 29/249,800 filed on Oct. 23, 2006.

U.S. Appl. No. 29/249,801 filed on Oct. 23, 2006.

U.S. Appl. No. 29/249,805 filed on Oct. 23, 2006.

Besa Internet Catalog; Trilo Collection Mini Pendant; Model 33646; printed from lampsplus.com on Nov. 10, 2006.

Besa Internet Catalog; High Hat Glass Mini Pendant; Model 12433; printed from lampsplus.com on Nov. 10, 2006.

Ellington Fan Internet Catalog; Enclave ceiling fan; Model ENC54BC5CR; printed from ellingtonfans.com on Feb. 9, 2007.

\* cited by examiner

*Primary Examiner*—Clare E Heflin

(74) *Attorney, Agent, or Firm*—Baker & McKenzie LLP

(57) **CLAIM**

The ornamental design for a light fixture, as shown and described.

**DESCRIPTION**

FIG. 1 is a perspective view from below of a light fixture in accordance with my design;

FIG. 2 is a reduced top plan view of the light fixture in accordance with my design;

FIG. 3 is a reduced bottom plan view of the light fixture in accordance with my design;

FIG. 4 is a front elevation view of the light fixture in accordance with my design;

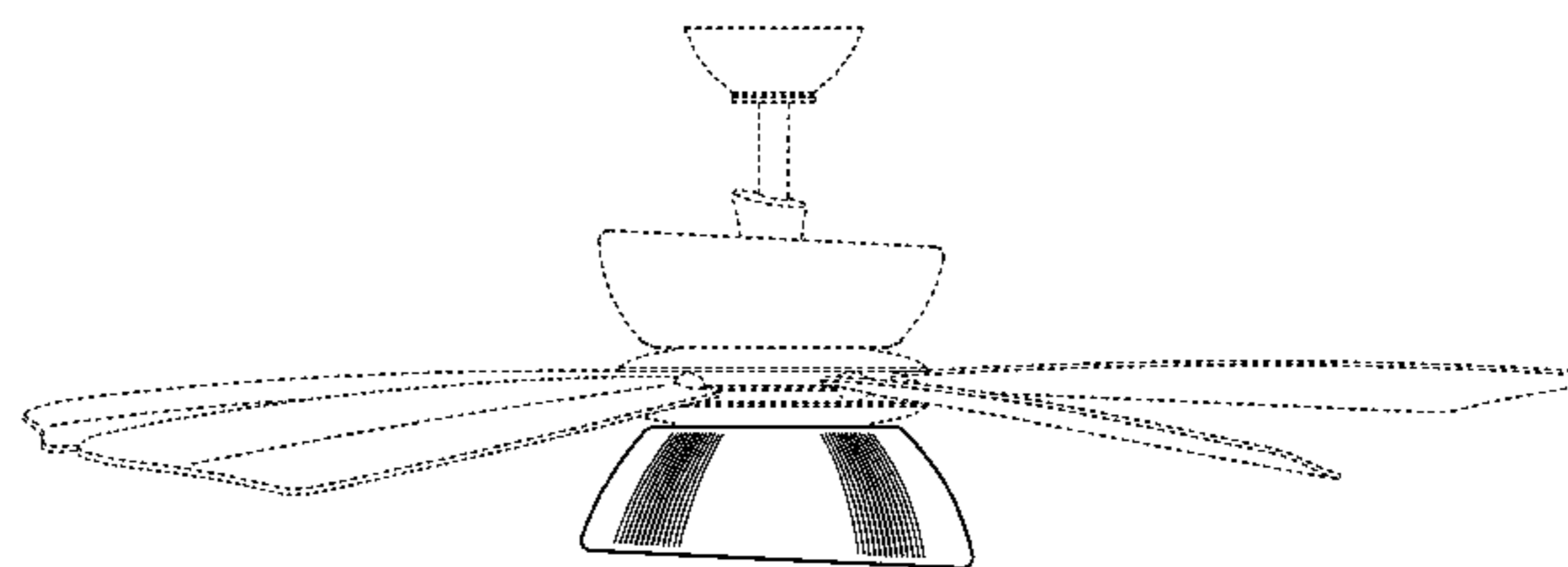
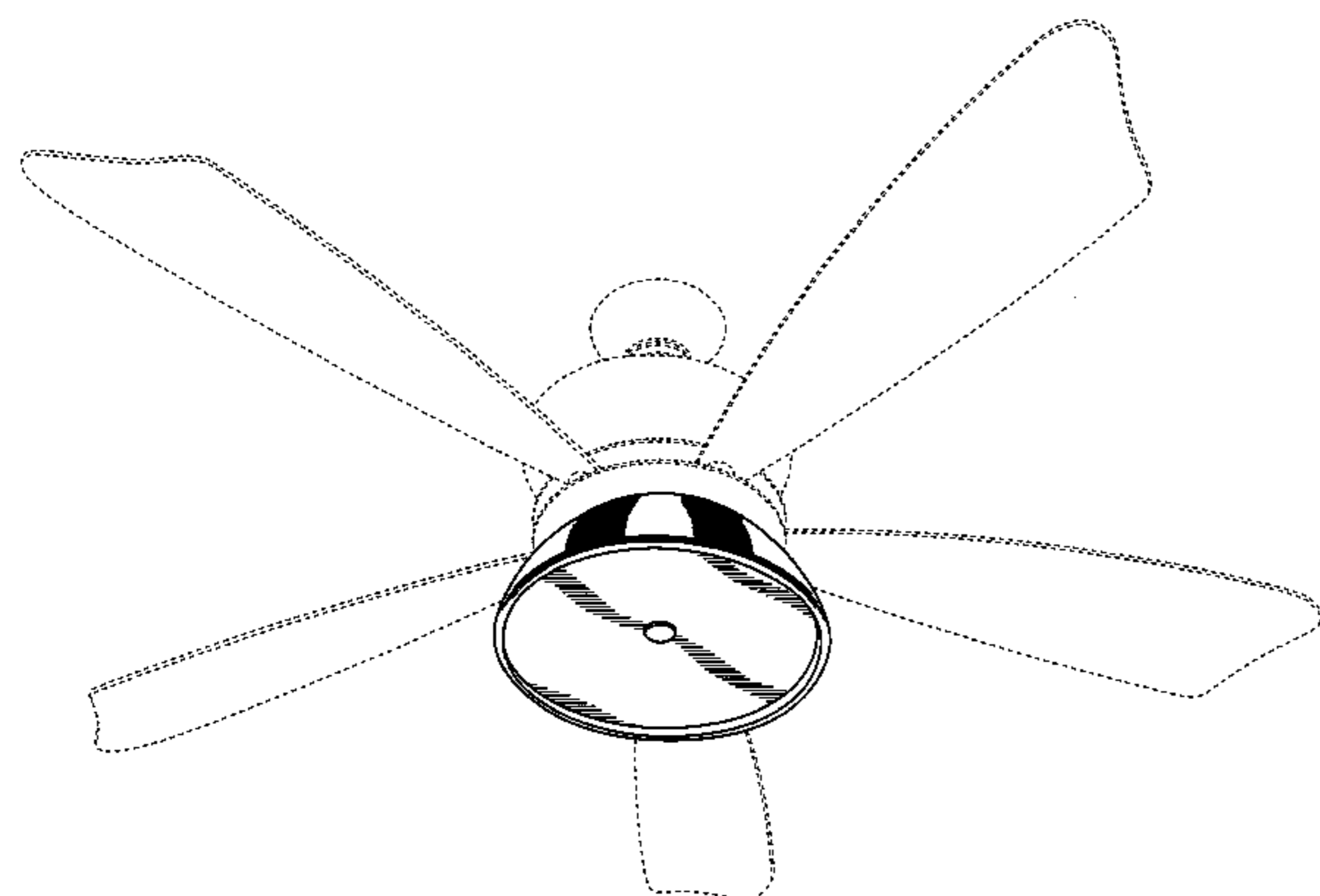
FIG. 5 is a right side elevation view of the light fixture in accordance with my design;

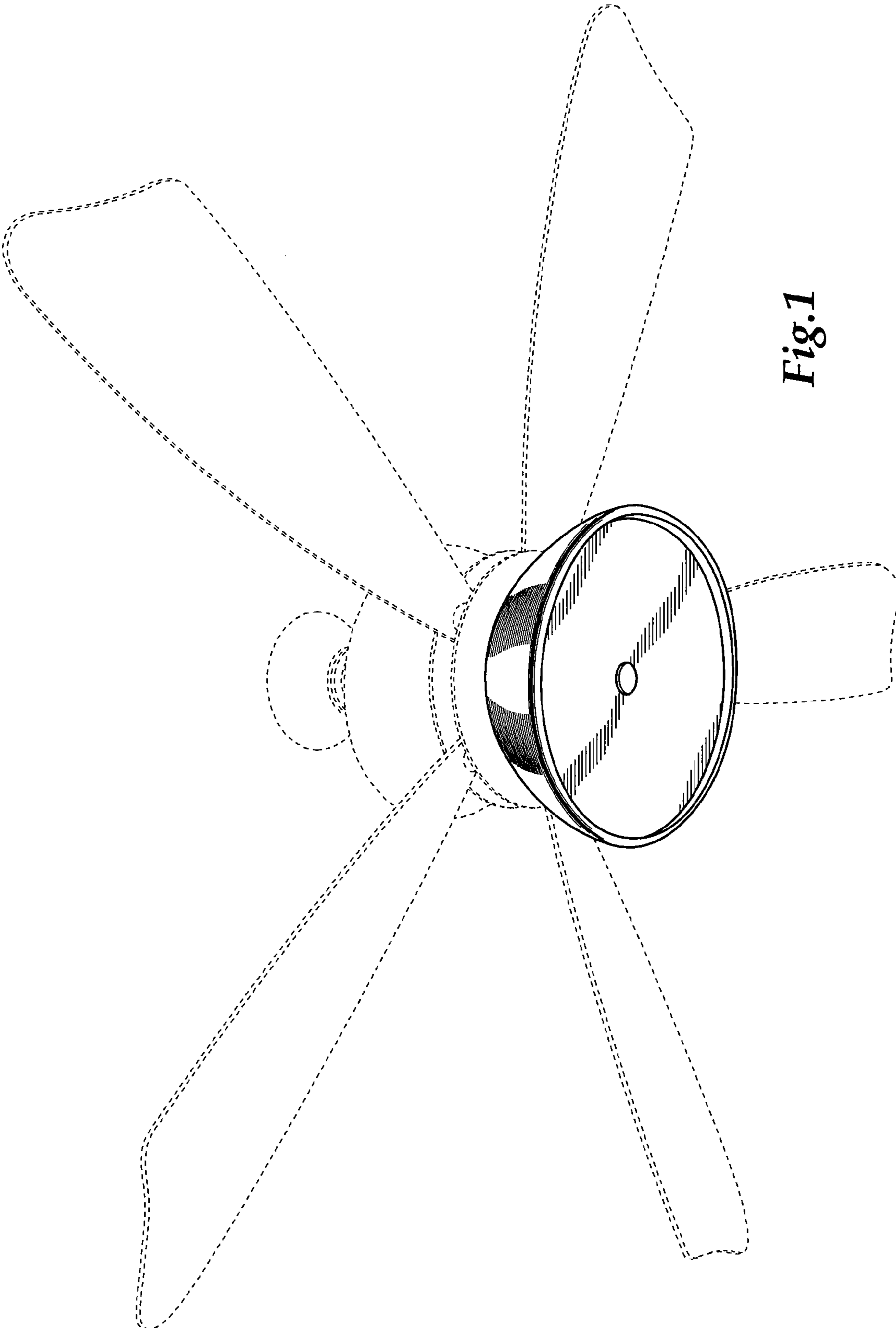
FIG. 6 is a back elevation view of the light fixture in accordance with my design; and,

FIG. 7 is a left side elevation view of the light fixture in accordance with my design.

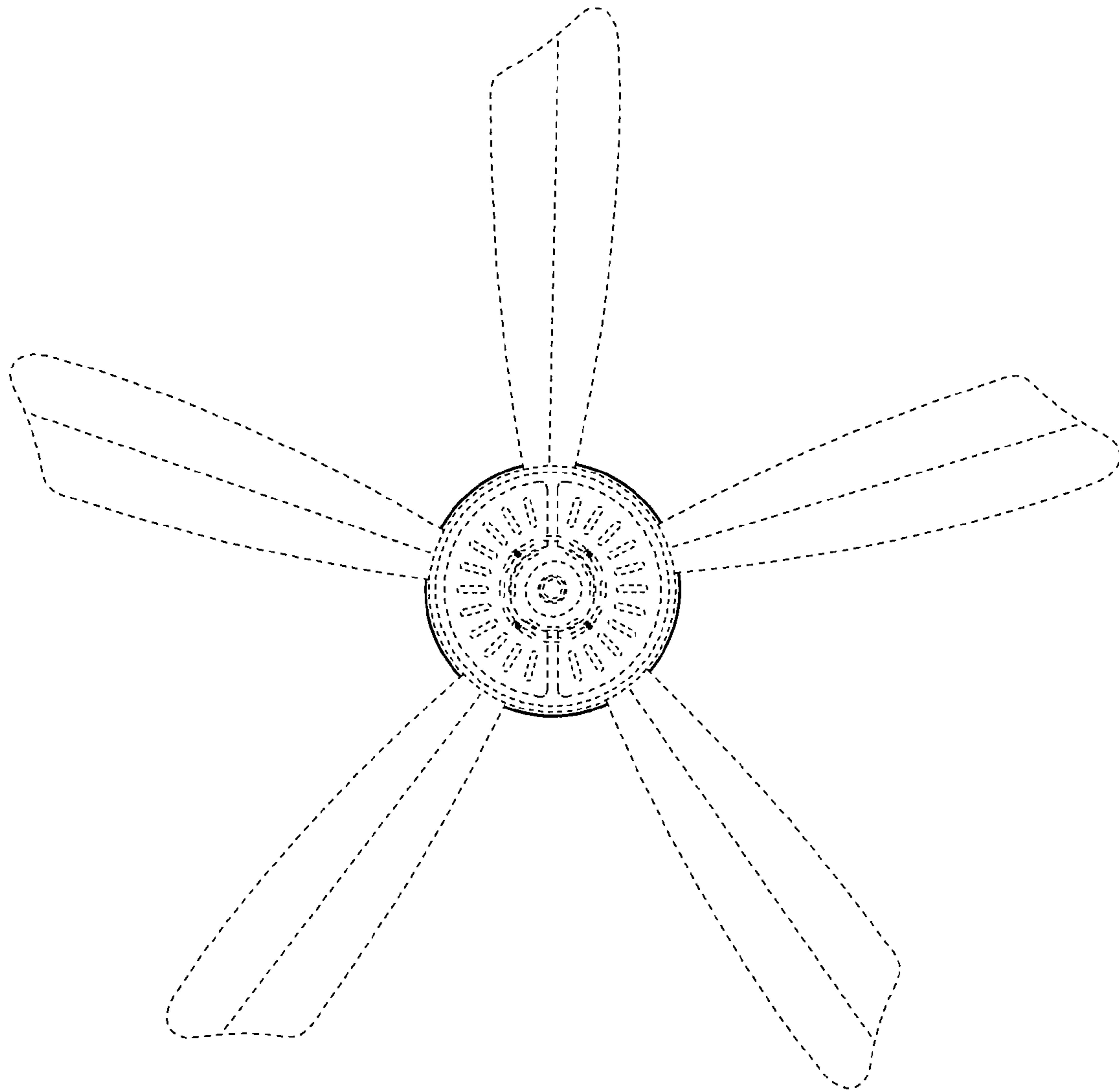
The broken lines showing environmental structure are for illustrative purposes and form no part of the claimed design.

**1 Claim, 7 Drawing Sheets**

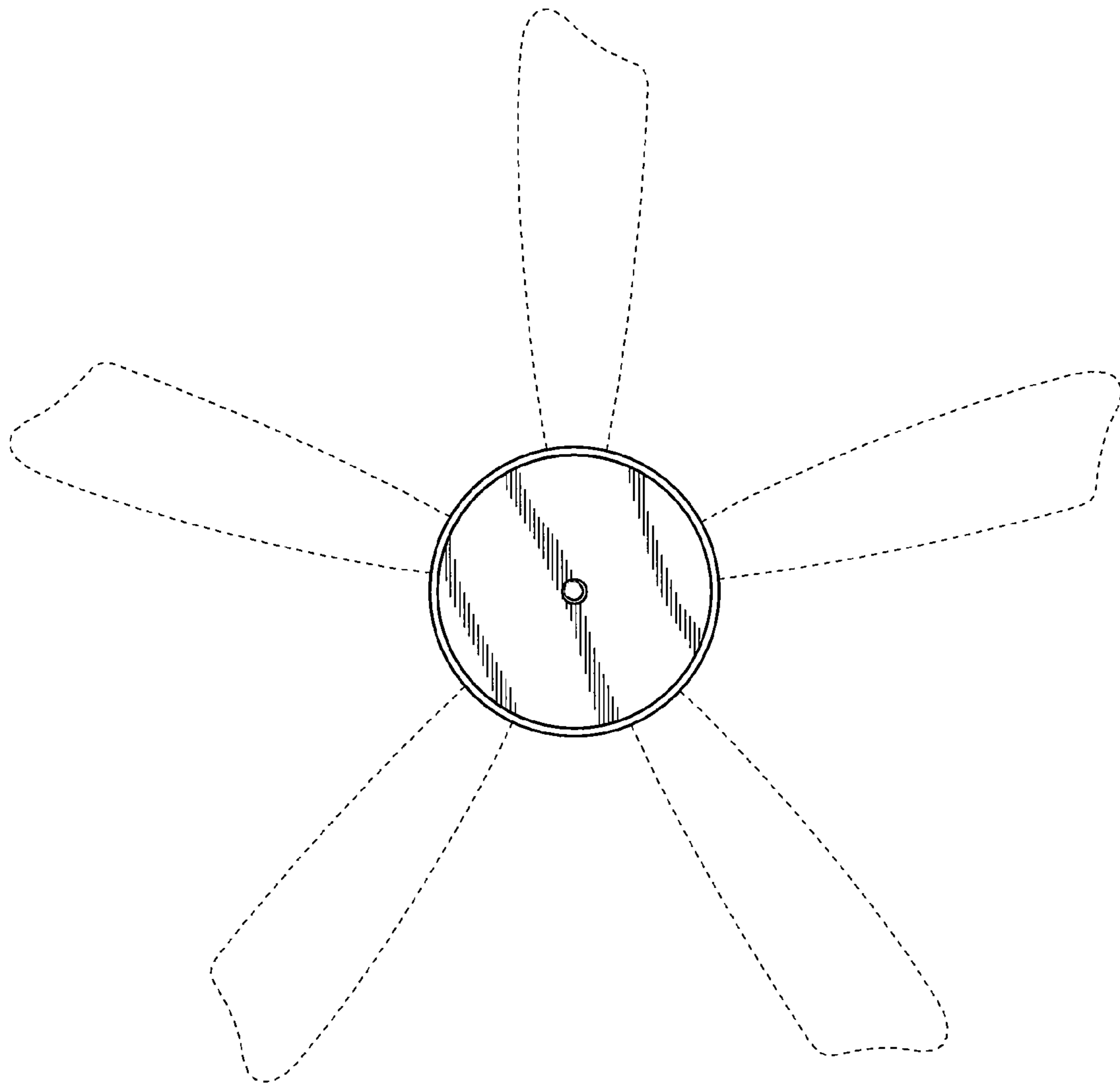




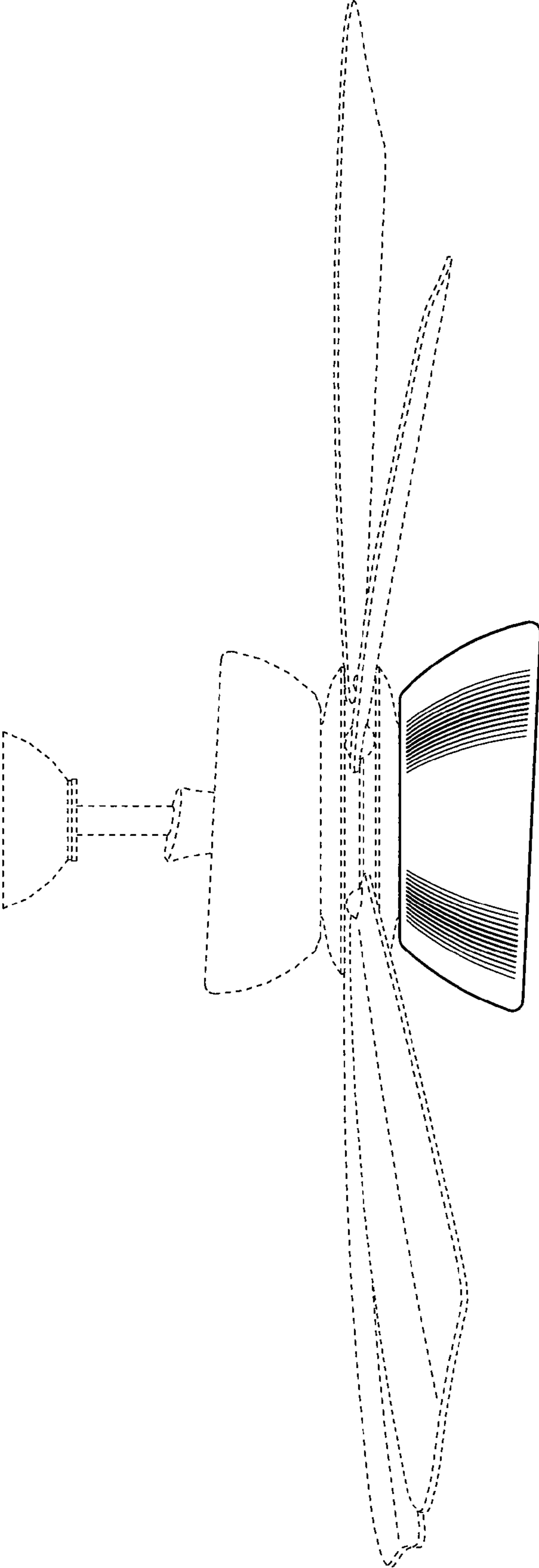
*Fig. 1*



*Fig.2*



*Fig.3*



*Fig.4*

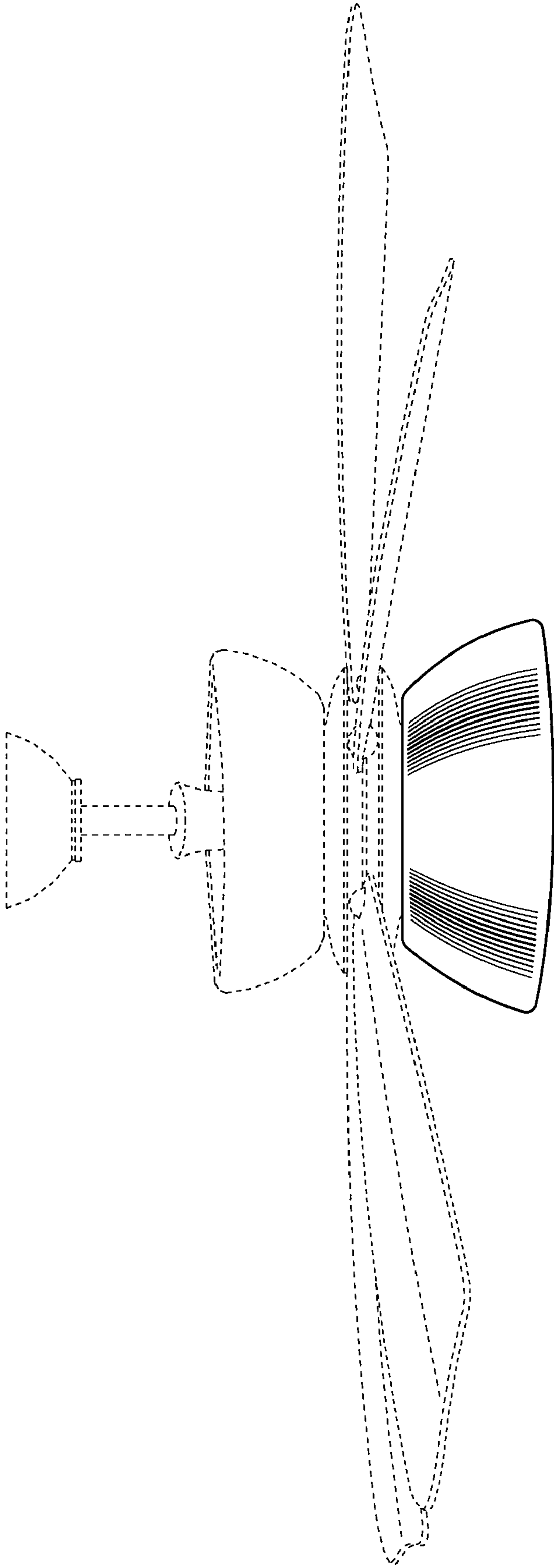
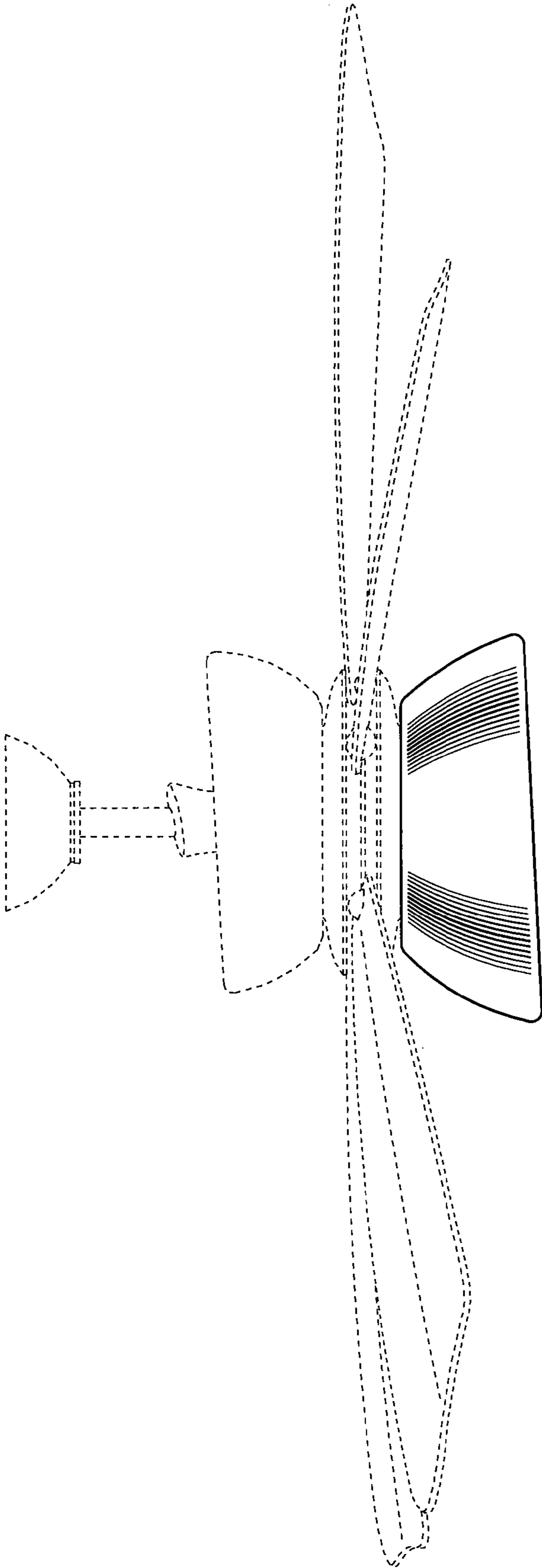
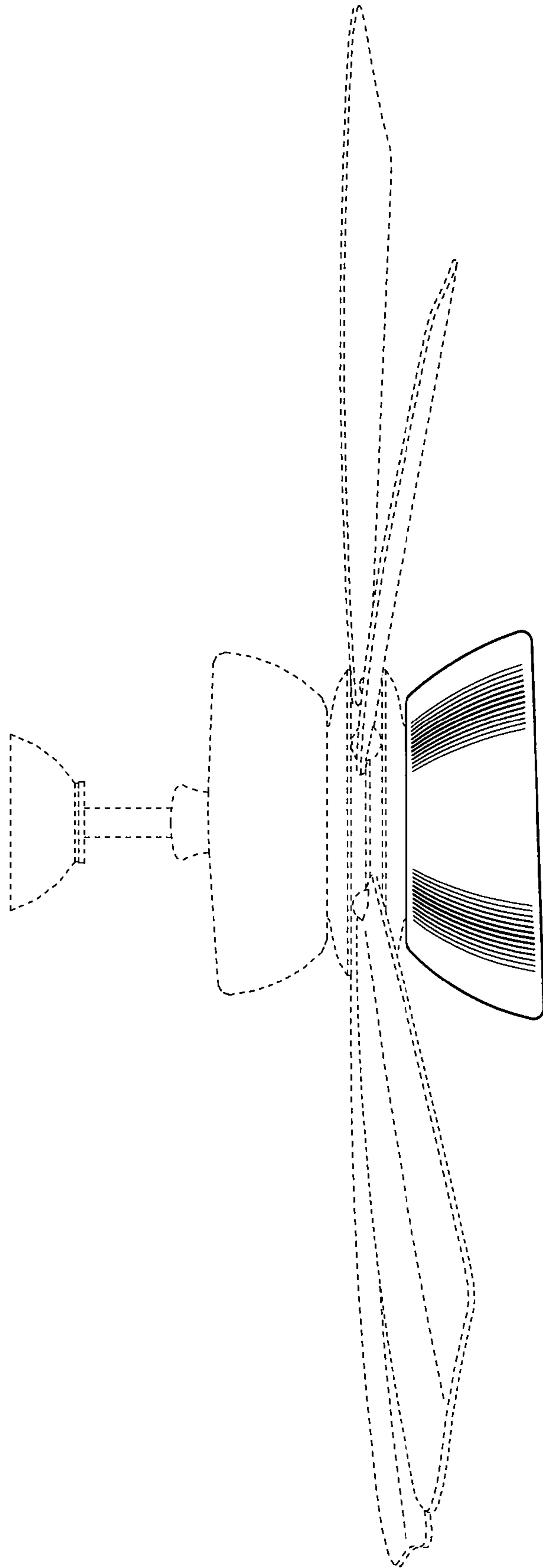


Fig.5



*Fig.6*





*Fig. 7*