



US00D556938S

(12) **United States Design Patent**
Russello et al.

(10) **Patent No.:** **US D556,938 S**

(45) **Date of Patent:** **** Dec. 4, 2007**

(54) **LUMINAIRE**

(75) Inventors: **Thomas Russello**, Freehold, NJ (US);
Dylan Akinrele, Leonia, NJ (US)

(73) Assignee: **Genlyte Thomas Group, LLC**,
Louisville, KY (US)

(**) Term: **14 Years**

(21) Appl. No.: **29/246,632**

(22) Filed: **Apr. 28, 2006**

(51) **LOC (8) Cl.** **26-03**

(52) **U.S. Cl.** **D26/89**

(58) **Field of Classification Search** D26/59,
D26/85, 88, 89, 91, 128, 130-136, 83; D23/377,
D23/379, 411; 416/5; 362/147, 350, 364,
362/365, 404, 406, 408

See application file for complete search history.

(56) **References Cited**

U.S. PATENT DOCUMENTS

| | | | |
|---------------|---------|----------------------|---------|
| 1,215,894 A | 2/1917 | Yuyama | |
| D51,774 S | 2/1918 | Coppinger | |
| 1,356,145 A | 10/1920 | Hawthorne | |
| 1,486,745 A | 3/1924 | Haselton | |
| 1,545,711 A | 7/1925 | Townsend | |
| 1,639,753 A | 8/1927 | Shelton | |
| 1,925,716 A * | 9/1933 | Olier, Jr. | 439/369 |
| D94,686 S * | 2/1935 | Guild et al. | D26/88 |
| 2,075,199 A | 3/1937 | Horner | |
| D104,401 S | 5/1937 | Kanter | |
| D106,593 S * | 10/1937 | Guth | D26/88 |
| 2,132,784 A | 10/1938 | Guth | |
| D114,805 S | 5/1939 | Brooks | |
| D115,417 S | 6/1939 | McCann | |
| D137,508 S | 3/1944 | Asay | |
| 2,632,095 A | 3/1953 | Dove | |
| D169,972 S * | 7/1953 | Glatthar et al. | D26/89 |
| D172,522 S | 6/1954 | Stone | |
| D174,219 S * | 3/1955 | Ensign | D26/134 |

| | | |
|-------------|---------|------------------|
| 2,732,484 A | 1/1956 | Lipscomb |
| D178,282 S | 7/1956 | Runtz |
| 2,767,305 A | 10/1956 | Onksen et al. |
| 2,853,599 A | 9/1958 | Kliegl |
| D190,385 S | 5/1961 | Schreckengost |
| D199,142 S | 9/1964 | Daum |
| D199,144 S | 9/1964 | Daum |
| D202,212 S | 9/1965 | Izzi |
| D217,638 S | 5/1970 | Magi |
| D222,103 S | 9/1971 | Anderson |
| 3,610,915 A | 10/1971 | Moore |
| 3,666,935 A | 5/1972 | Pritchett et al. |
| 3,711,702 A | 1/1973 | Adra |
| 3,755,665 A | 8/1973 | Grindle |
| D229,713 S | 12/1973 | Wince et al. |
| D231,406 S | 4/1974 | Biallo |
| 3,895,227 A | 7/1975 | Murray et al. |
| 3,919,542 A | 11/1975 | Castic |
| 4,164,784 A | 8/1979 | Jaksich |
| 4,288,846 A | 9/1981 | Fletcher et al. |

(Continued)

Primary Examiner—Clare E Hefflin

(74) *Attorney, Agent, or Firm*—Steven A. Witters;
Middleton Reutlinger

(57) **CLAIM**

The ornamental design for a luminaire, as shown and described.

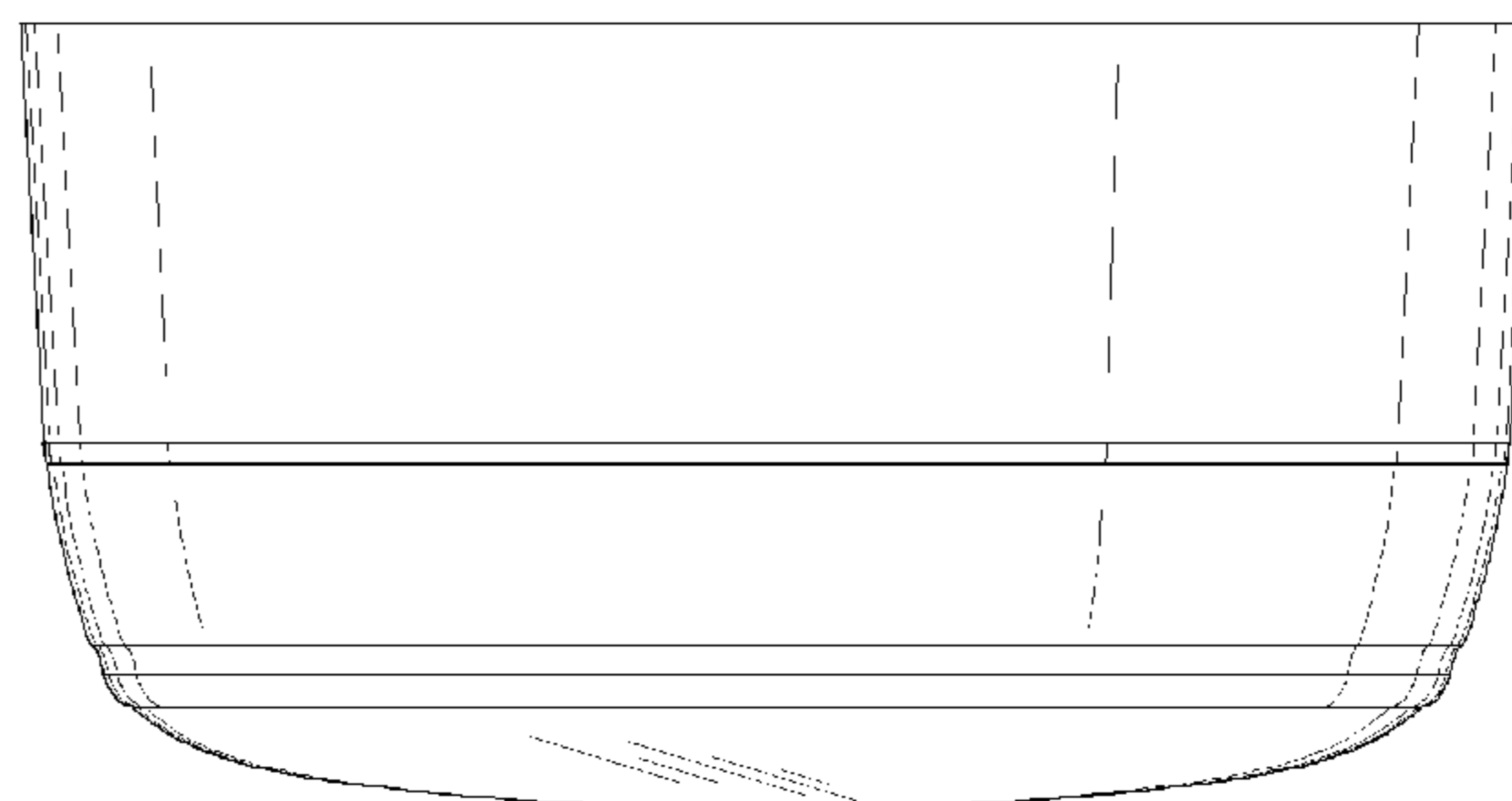
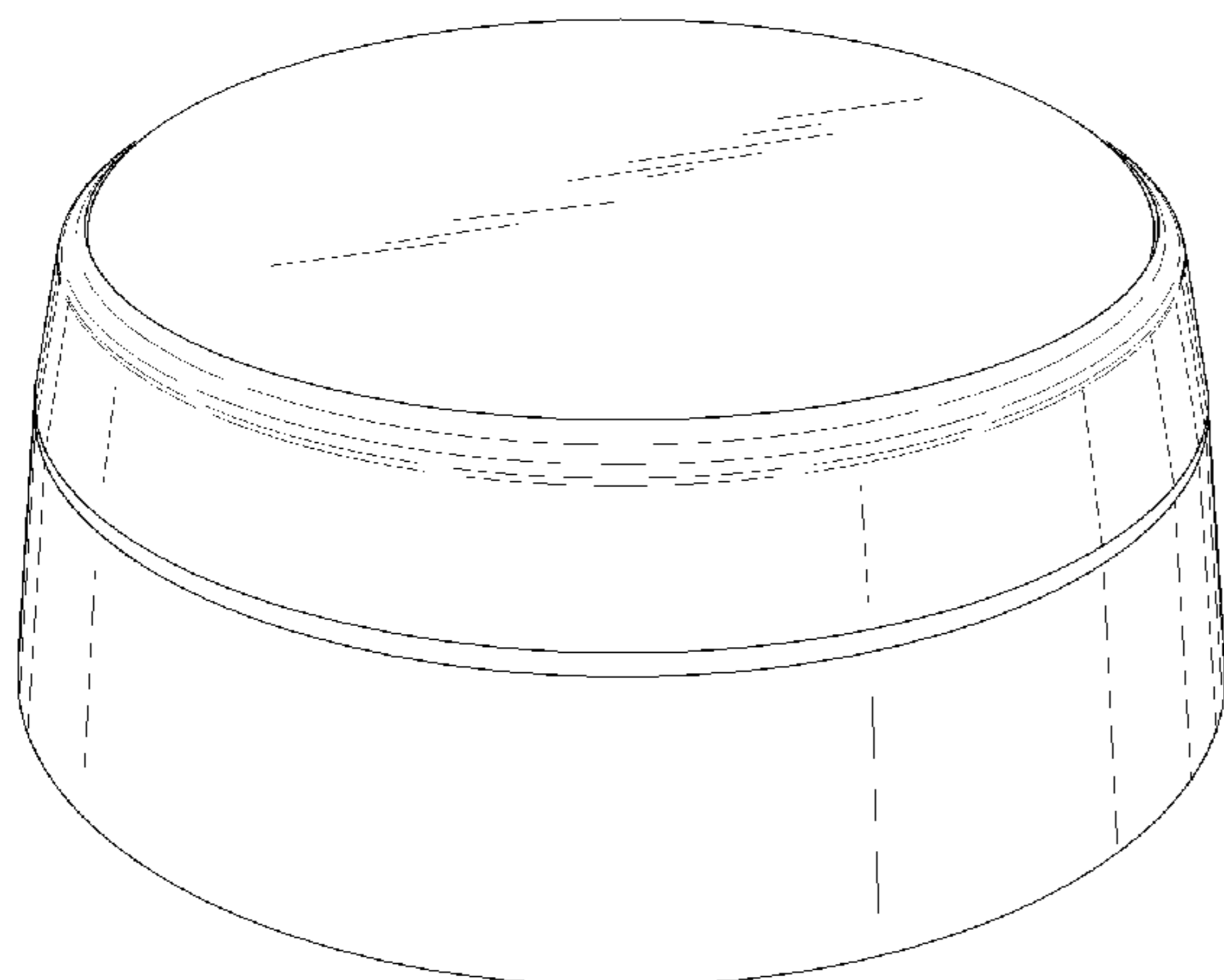
DESCRIPTION

FIG. 1 is a perspective view of a luminaire showing the design with an accent ring visible along a side wall;

FIG. 2 is a right side view of a luminaire thereof showing the design with the accent ring visible along the side wall where the left side, top, and bottom views are a mirror image of this view; and,

FIG. 3 is a front view thereof with the accent ring visible along the side wall, a back view not being shown as it is devoid of ornamentation.

1 Claim, 3 Drawing Sheets



US D556,938 S

U.S. PATENT DOCUMENTS

| | | | | | |
|--------------|---------|---------------------|---------------|---------|------------------------------|
| D262,914 S | 2/1982 | Kristofek | D358,898 S | 5/1995 | Compton |
| 4,323,953 A | 4/1982 | Hutchison | D358,902 S | 5/1995 | Webster, III |
| D267,516 S | 1/1983 | Rambusch et al. | 5,416,684 A | 5/1995 | Pearce |
| D272,193 S | 1/1984 | Sangiamo | D364,242 S | 11/1995 | Fiorato |
| 4,434,455 A | 2/1984 | Merritt | D370,228 S | 5/1996 | Chapman et al. |
| 4,447,863 A | 5/1984 | Fenne | 5,584,574 A | 12/1996 | Haddad |
| 4,519,018 A | 5/1985 | Rowland | D377,990 S | 2/1997 | Nakano |
| 4,602,320 A | 7/1986 | Tomkin et al. | 5,642,934 A | 7/1997 | Haddad |
| D286,206 S | 10/1986 | Joosten et al. | D385,643 S | 10/1997 | Brohard et al. |
| D286,446 S | 10/1986 | Caroli et al. | D390,999 S | 2/1998 | Gaskins et al. |
| 4,695,930 A | 9/1987 | Wierzbicki et al. | D391,659 S | 3/1998 | Gaskins et al. |
| 4,709,312 A | 11/1987 | Heinisch et al. | D393,733 S | 4/1998 | Gaskins et al. |
| D294,066 S | 2/1988 | Ewing et al. | D399,331 S | 10/1998 | Greene et al. |
| 4,760,499 A | 7/1988 | II | D399,332 S | 10/1998 | Greene et al. |
| 4,816,969 A | 3/1989 | Miller | D399,333 S | 10/1998 | Greene et al. |
| D301,175 S | 5/1989 | Benjamin | D400,286 S | 10/1998 | Greene et al. |
| D302,326 S | 7/1989 | DiCola | D408,492 S * | 4/1999 | Thomas D23/411 |
| D302,327 S | 7/1989 | DiCola | D415,304 S | 10/1999 | Brown |
| D302,328 S | 7/1989 | Fretz | 5,971,571 A | 10/1999 | Rose |
| D302,329 S | 7/1989 | Fretz et al. | D418,626 S | 1/2000 | Herst et al. |
| D302,330 S | 7/1989 | Fretz | 6,042,251 A * | 3/2000 | McCarthy et al. 362/308 |
| 4,858,091 A | 8/1989 | Fouke | D424,736 S | 5/2000 | Johnson |
| D305,694 S | 1/1990 | Brown | D429,362 S | 8/2000 | Landefeld |
| D309,956 S | 8/1990 | Sikora et al. | D437,958 S | 2/2001 | Doron, Jr. et al. |
| D315,612 S | 3/1991 | Hughes et al. | D440,692 S | 4/2001 | Janos et al. |
| D316,457 S | 4/1991 | De'Armond | D442,313 S | 5/2001 | Wojtkowiak et al. |
| D321,408 S | 11/1991 | Hughes et al. | D444,258 S | 6/2001 | Bradford et al. |
| D323,897 S | 2/1992 | Compton | D445,943 S | 7/2001 | Littman |
| 5,086,379 A | 2/1992 | Denison et al. | D446,340 S | 8/2001 | Bradford et al. |
| 5,158,348 A | 10/1992 | Sakamoto et al. | D447,590 S | 9/2001 | Raouf et al. |
| D331,101 S * | 11/1992 | Rezek D23/377 | D456,551 S | 4/2002 | Russello et al. |
| 5,174,648 A | 12/1992 | Clary et al. | D456,552 S | 4/2002 | Russello et al. |
| D336,536 S | 6/1993 | Shaanan et al. | D456,553 S | 4/2002 | Russello et al. |
| D336,964 S | 6/1993 | Janssen et al. | D456,926 S | 5/2002 | Gaskins et al. |
| D337,835 S | 7/1993 | Donato et al. | D456,927 S | 5/2002 | Russello et al. |
| D338,980 S | 8/1993 | Dieperink | D456,928 S | 5/2002 | Russello et al. |
| D343,245 S | 1/1994 | Fouke et al. | D456,929 S | 5/2002 | Russello et al. |
| D343,250 S | 1/1994 | Fouke et al. | D456,930 S | 5/2002 | Russello et al. |
| D343,251 S | 1/1994 | Fouke et al. | D459,515 S | 6/2002 | Gaskins et al. |
| 5,278,737 A | 1/1994 | Luce et al. | D459,519 S | 6/2002 | Russello et al. |
| D344,606 S | 2/1994 | Fouke et al. | D460,575 S | 7/2002 | Tergny et al. |
| D345,432 S | 3/1994 | Gruber et al. | 6,422,709 B1 | 7/2002 | Panagiotou |
| D345,433 S | 3/1994 | Gruber et al. | D465,048 S | 10/2002 | Gaskins et al. |
| D345,434 S | 3/1994 | Gruber et al. | D465,868 S | 11/2002 | Gaskins et al. |
| D346,874 S | 5/1994 | Fiorato | D467,030 S | 12/2002 | Gaskins et al. |
| D347,292 S | 5/1994 | Roos et al. | D468,051 S | 12/2002 | Gaskins et al. |
| D347,486 S | 5/1994 | Gruber et al. | D469,565 S | 1/2003 | Anderson et al. |
| D348,531 S | 7/1994 | Mehaffey et al. | D472,339 S | 3/2003 | Russello et al. |
| D352,124 S | 11/1994 | Russello et al. | D482,487 S | 11/2003 | Russello et al. |
| 5,377,087 A | 12/1994 | Yoon | D494,701 S | 8/2004 | Campbell |
| D354,580 S | 1/1995 | Fouke et al. | D503,823 S * | 4/2005 | Yurich D26/89 |
| D355,044 S | 1/1995 | Russello et al. | D503,993 S * | 4/2005 | Yurich D26/89 |
| D357,761 S | 4/1995 | Dewinter | D503,994 S * | 4/2005 | Yurich D26/89 |
| 5,404,297 A | 4/1995 | Birk et al. | D506,565 S * | 6/2005 | Yurich D26/89 |

* cited by examiner

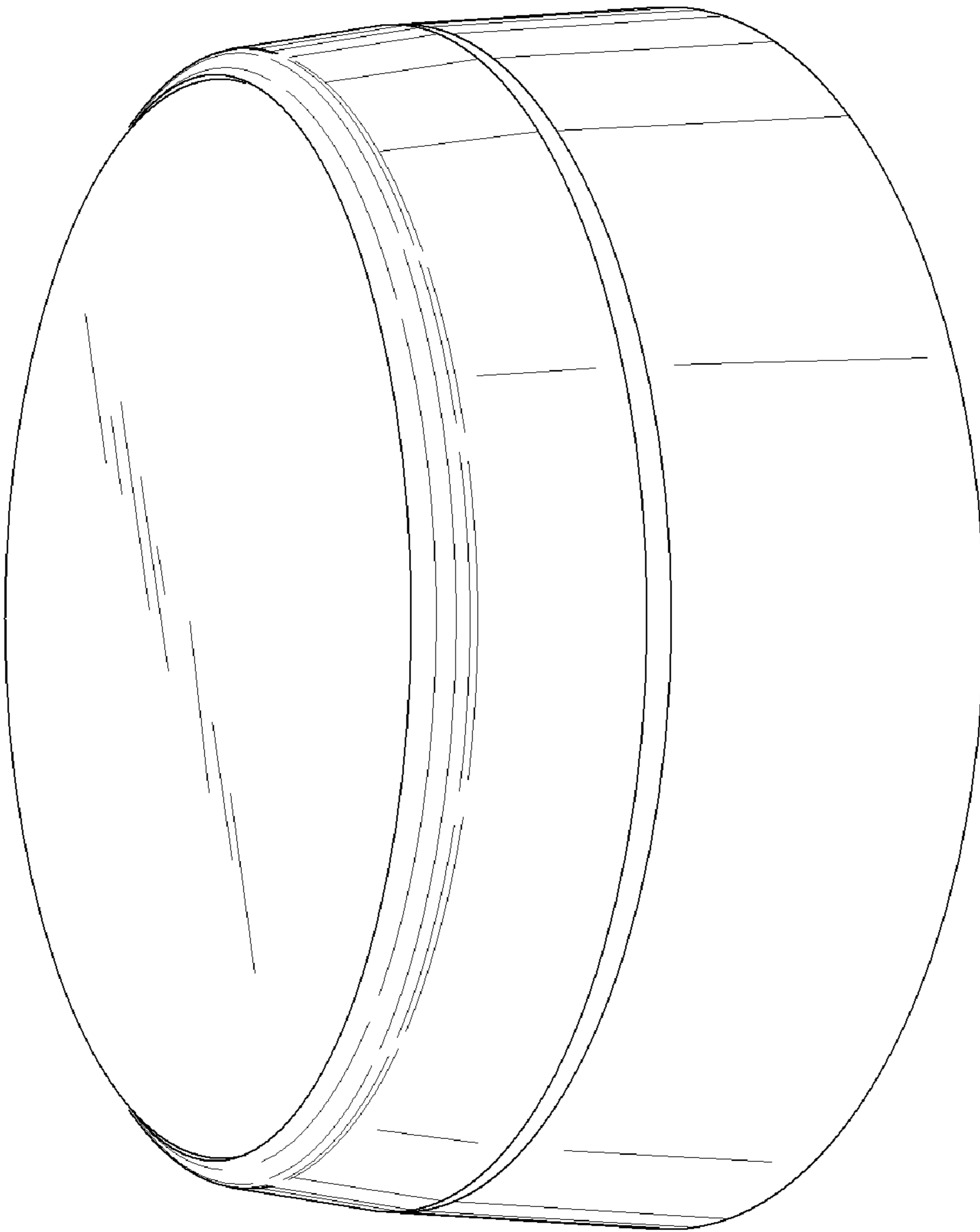


FIG. 1

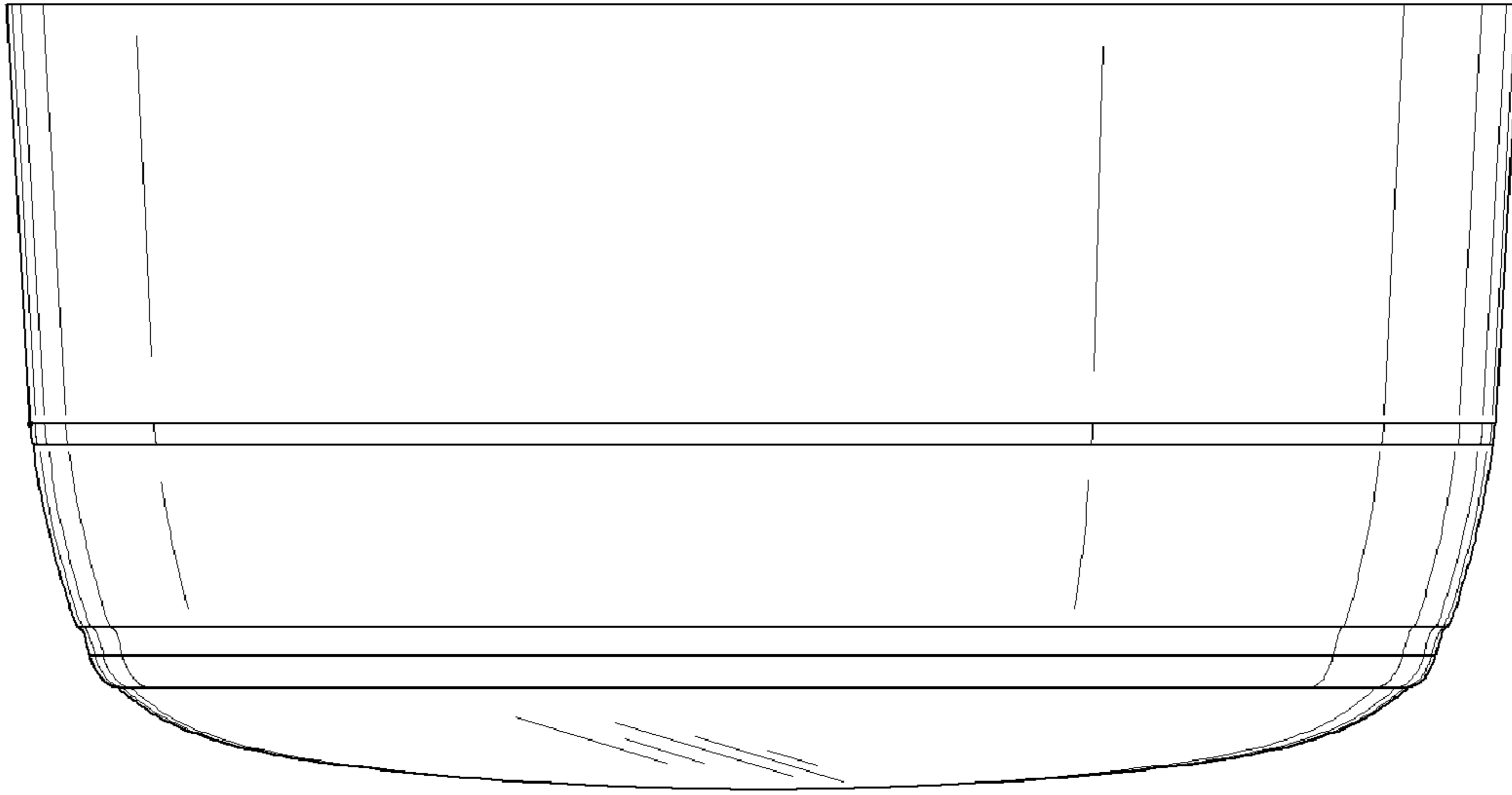


FIG. 2

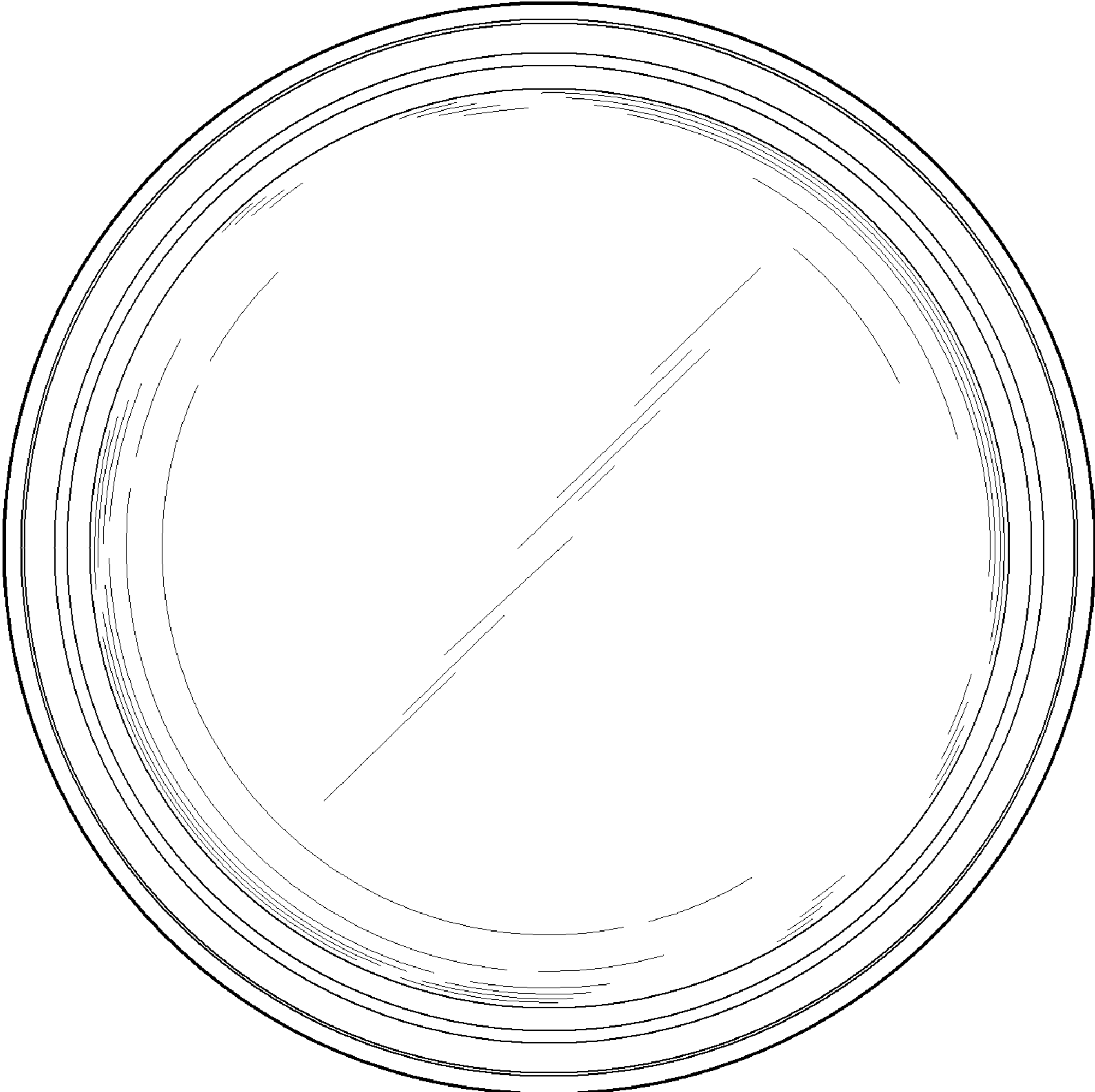


FIG. 3