



US00D556934S

(12) **United States Design Patent**
Sanoner

(10) **Patent No.:** **US D556,934 S**

(45) **Date of Patent:** **** Dec. 4, 2007**

(54) **SOLAR LIGHT**

(75) Inventor: **Hughes Marie Sanoner**, Hong Kong
(HK)

(73) Assignee: **Solar Wide Industrial Limited**, Tsuen
Wan, New Territories, Hong Kong (CN)

(**) Term: **14 Years**

(21) Appl. No.: **29/272,901**

(22) Filed: **Feb. 20, 2007**

(30) **Foreign Application Priority Data**

Sep. 1, 2006 (EM) 000583000-0013

(51) **LOC (8) Cl.** **26-05**

(52) **U.S. Cl.** **D26/68; D26/27**

(58) **Field of Classification Search** D26/27,
D26/63, 67-71; 362/183, 145, 152, 153,
362/153.1, 266, 267, 269, 275, 287, 415,
362/431, 554, 556, 565, 567

See application file for complete search history.

(56) **References Cited**

U.S. PATENT DOCUMENTS

D179,337 S * 12/1956 Brown D26/68
D221,868 S * 9/1971 Fairchild et al. D26/27
3,721,516 A * 3/1973 Reese 362/431
3,721,815 A * 3/1973 Wall 362/568

3,727,044 A * 4/1973 Monroy 362/554
5,816,883 A * 10/1998 Holland 362/556
6,404,973 B1 * 6/2002 Lee 362/565
D513,332 S * 12/2005 Ip D26/27
D517,717 S * 3/2006 Sanoner D26/68
D520,152 S * 5/2006 Ip D26/27
D520,655 S * 5/2006 Ip et al. D26/27
2002/0122313 A1 * 9/2002 Chang 362/554

* cited by examiner

Primary Examiner—Clare E Heflin

(74) *Attorney, Agent, or Firm*—Alix, Yale & Ristas, LLP

(57) **CLAIM**

The ornamental design for a solar light, as shown and described.

DESCRIPTION

FIG. 1 is a front, right side and top perspective view of a solar light showing my new design;

FIG. 2 is a front elevational view thereof;

FIG. 3 is a rear elevational view thereof;

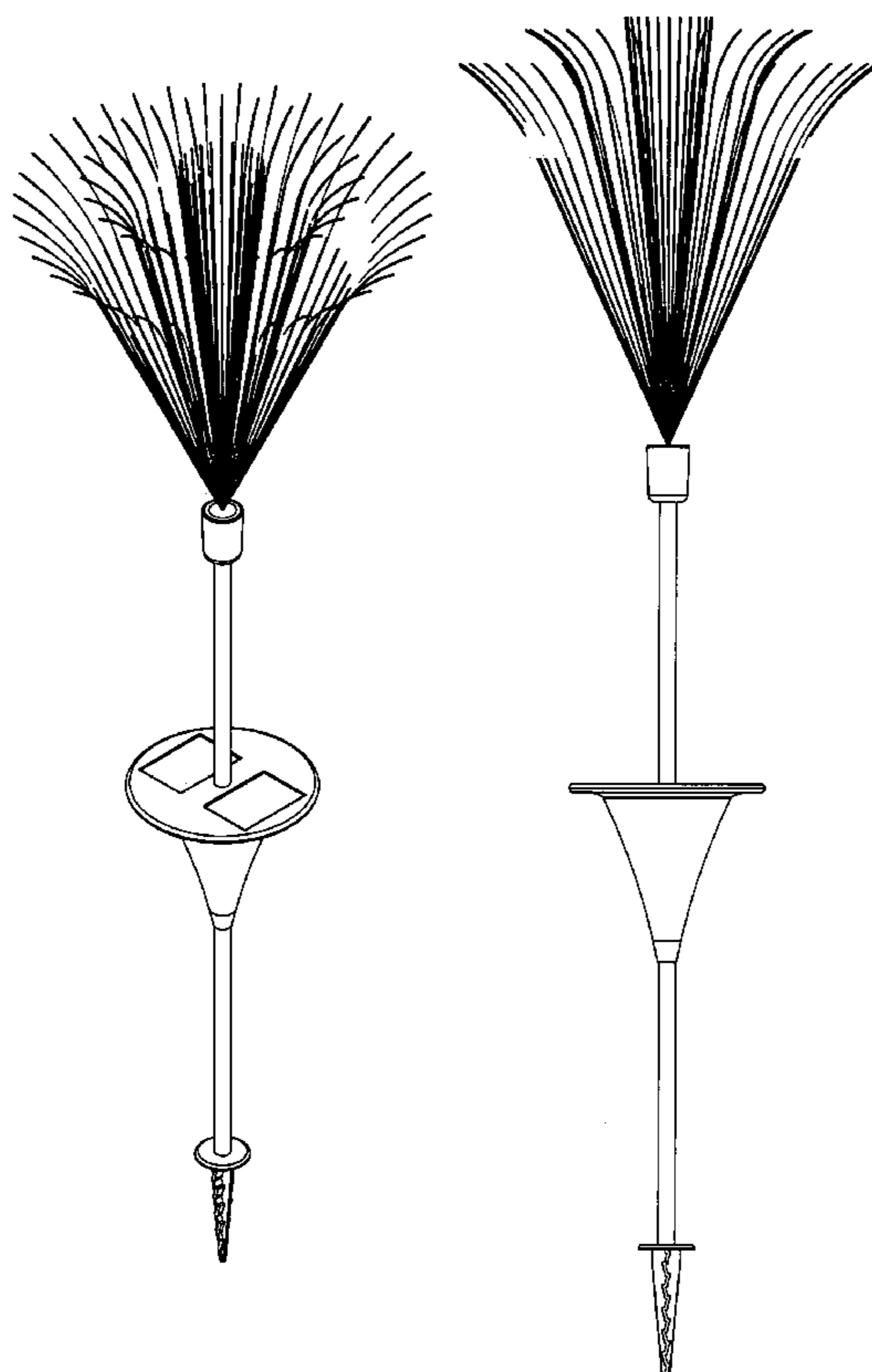
FIG. 4 is a left side elevational view thereof;

FIG. 5 is a right side elevational view thereof;

FIG. 6 is a top end view thereof; and,

FIG. 7 is a bottom end view thereof.

1 Claim, 3 Drawing Sheets



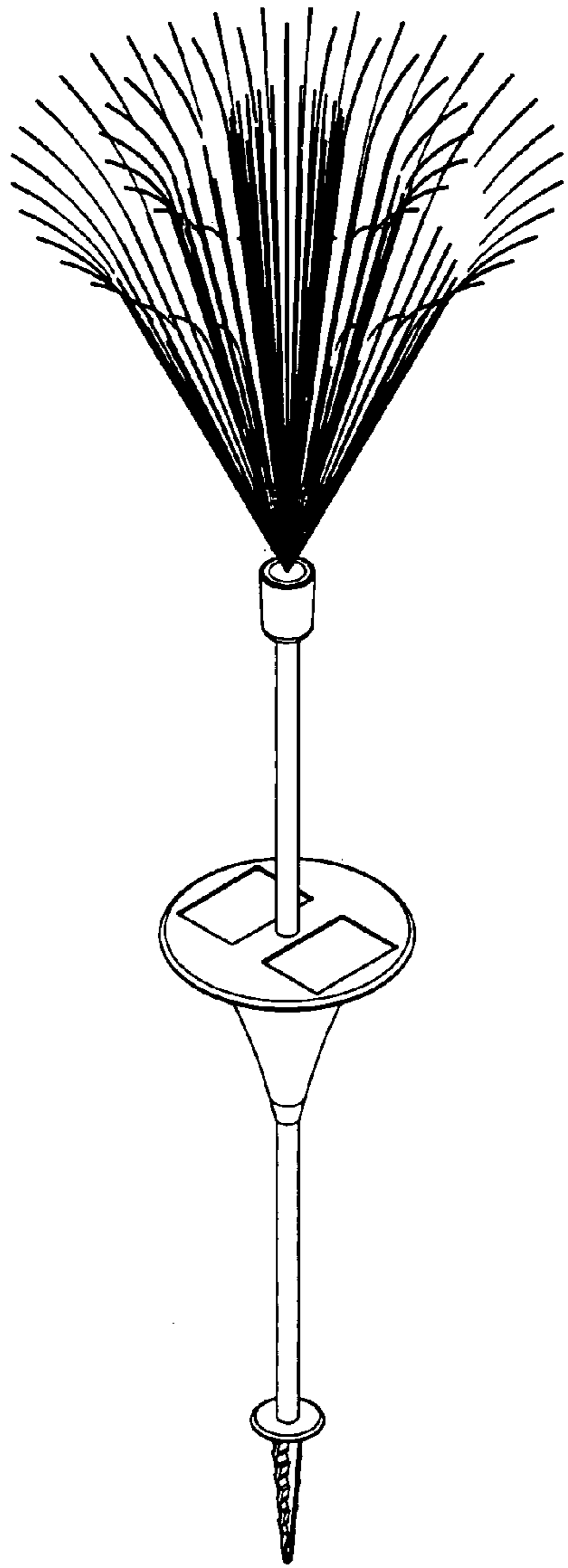


FIG. 1

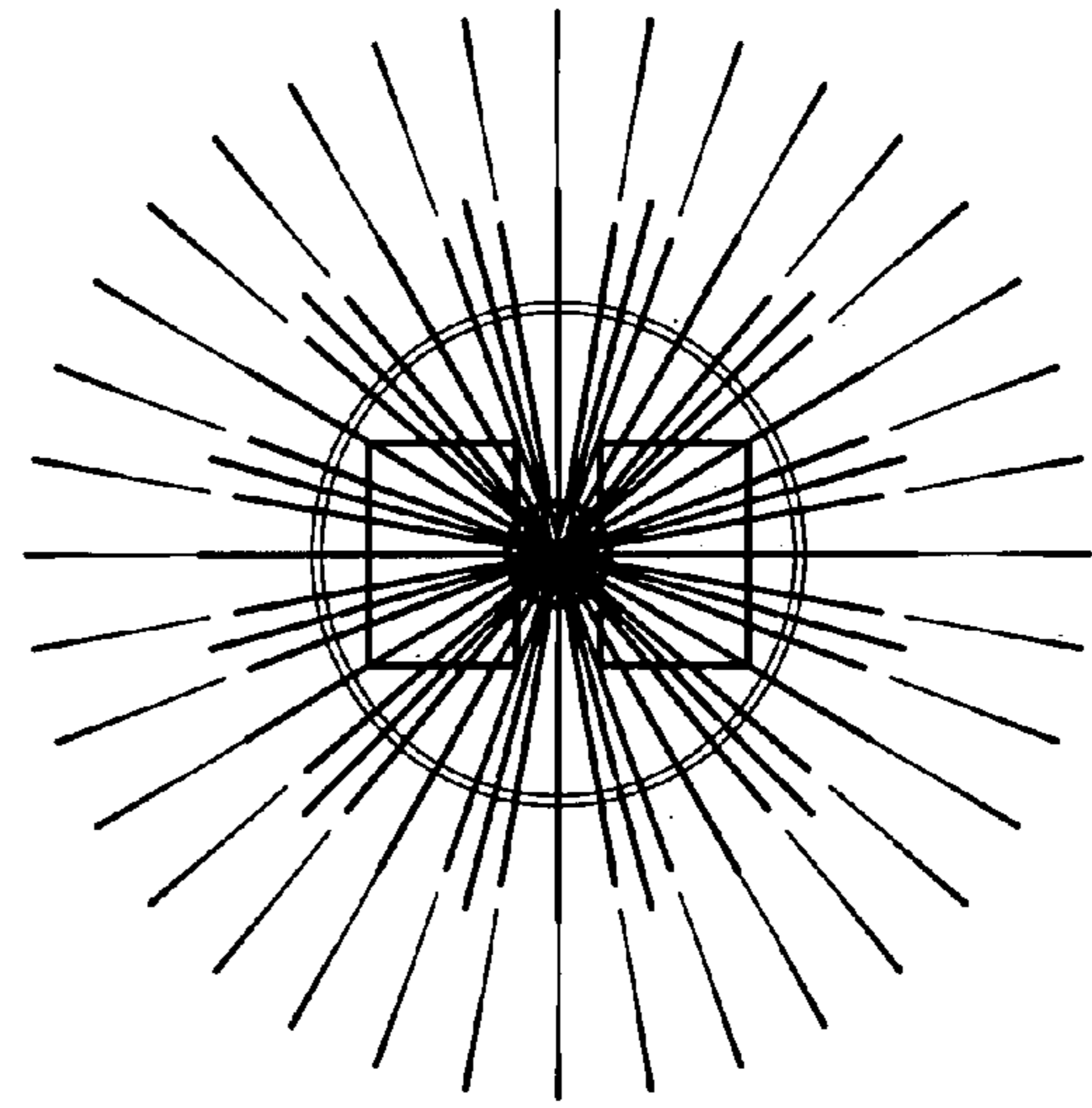


FIG. 6

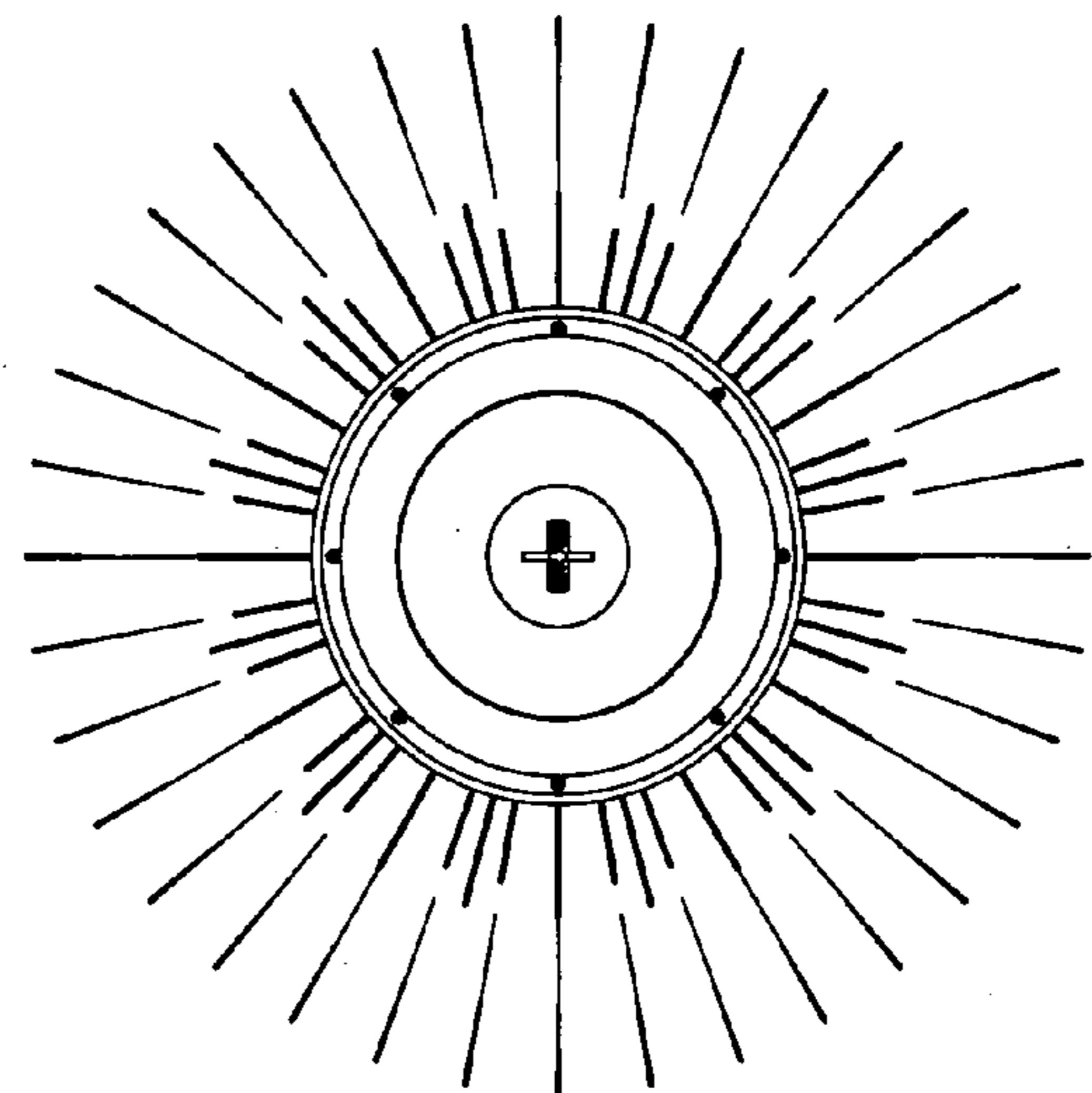


FIG. 7

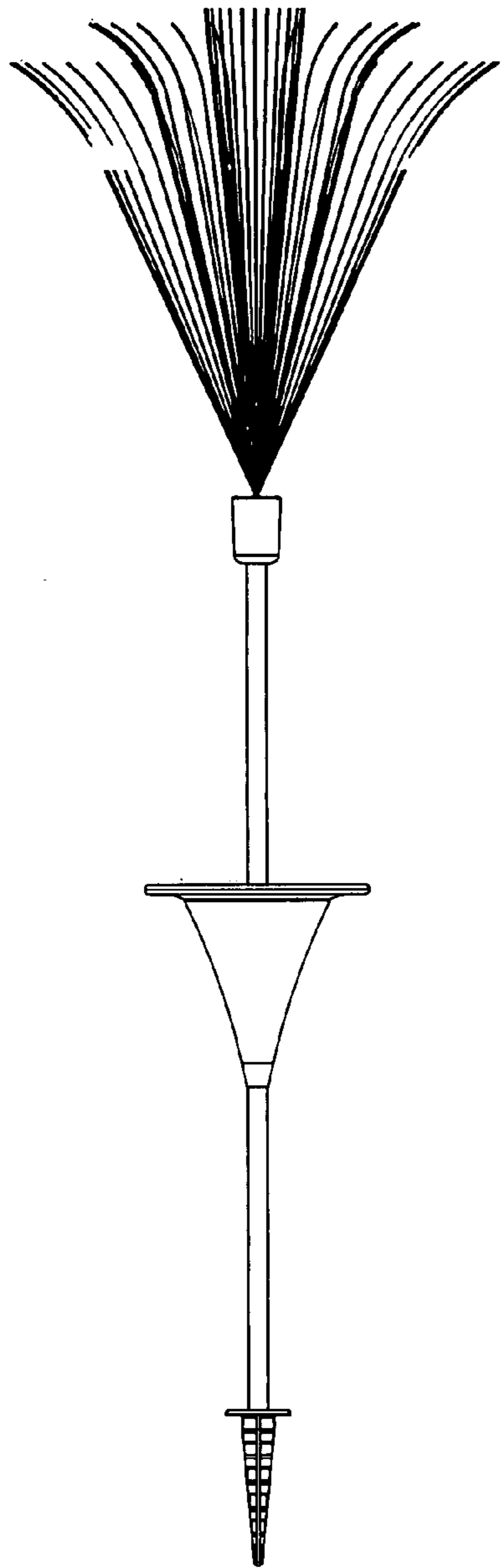


FIG. 4

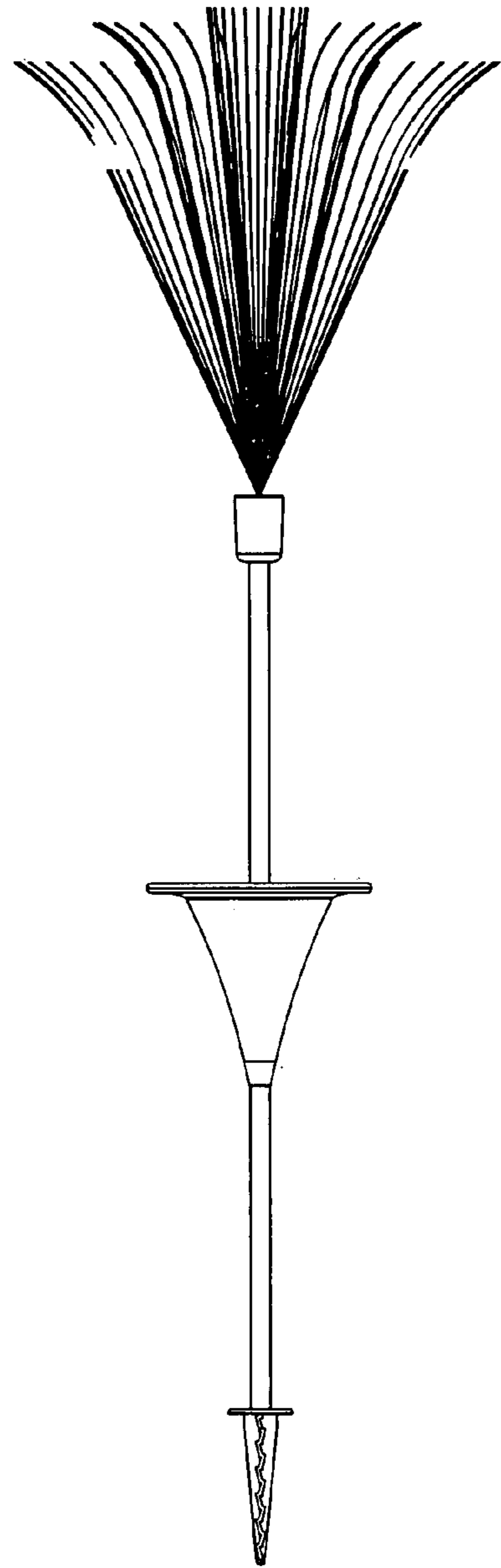


FIG. 2

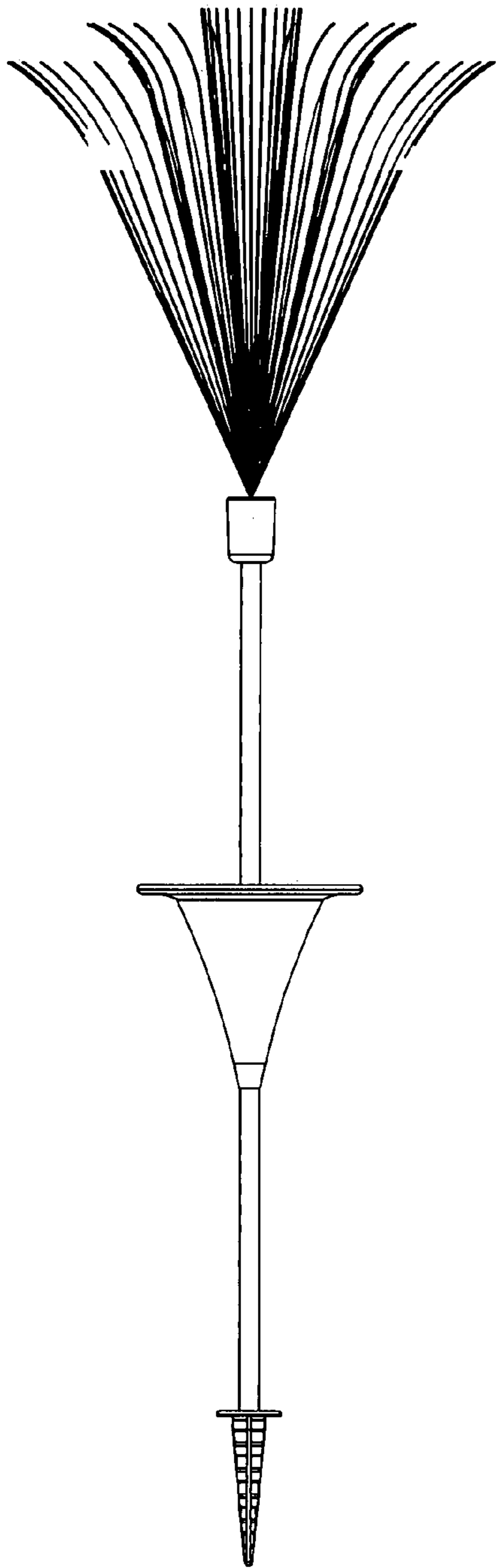


FIG. 5

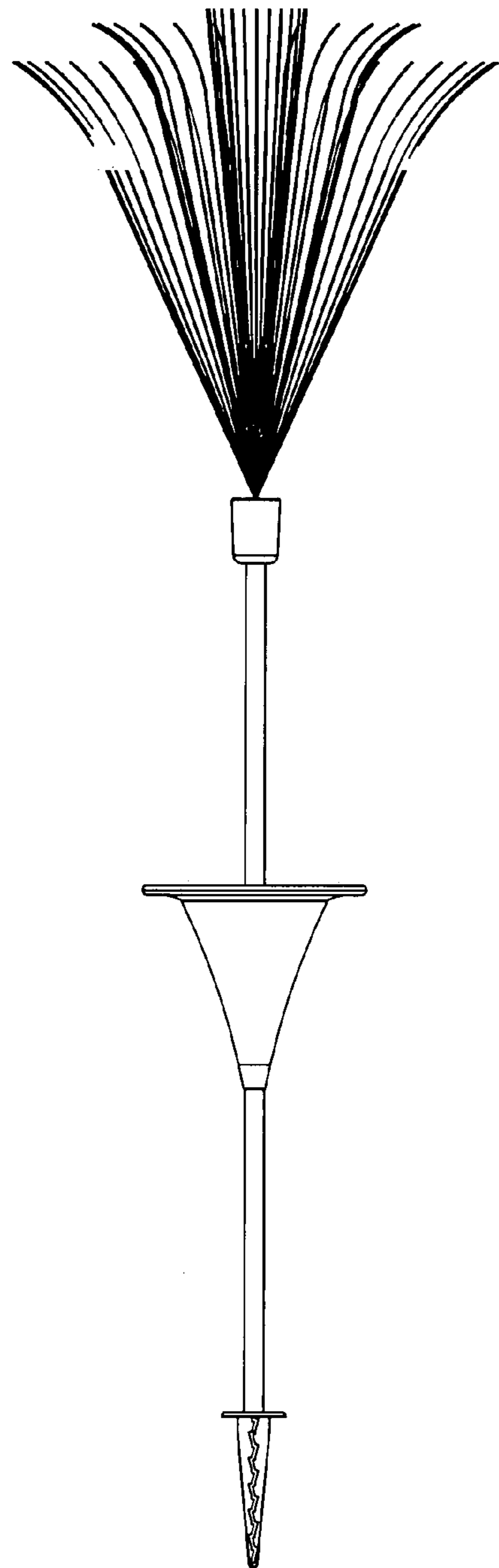


FIG. 3