



US00D556932S

(12) **United States Design Patent**  
**Sooferian**

(10) **Patent No.:** **US D556,932 S**

(45) **Date of Patent:** **\*\* Dec. 4, 2007**

(54) **SOLAR LIGHT**

D499,833 S \* 12/2004 Chen ..... D26/68  
D520,171 S \* 5/2006 Harbaugh ..... D26/68  
D533,293 S \* 12/2006 Chen ..... D26/67

(76) Inventor: **Danny H. Sooferian**, 425-I Constitution Ave., Camarillo, CA (US) 93012

\* cited by examiner

(\*\*) Term: **14 Years**

*Primary Examiner*—Clare E Heflin

(21) Appl. No.: **29/262,868**

(74) *Attorney, Agent, or Firm*—Colin P. Abrahams

(22) Filed: **Jul. 12, 2006**

(57) **CLAIM**

(51) **LOC (8) Cl.** ..... **26-05**

The ornamental design for a solar light, as shown and described.

(52) **U.S. Cl.** ..... **D26/68**

(58) **Field of Classification Search** ..... D26/63,  
D26/67-71; 362/183, 145, 152, 153, 153.1,  
362/266, 267, 269, 275, 287, 415, 431  
See application file for complete search history.

**DESCRIPTION**

FIG. 1 is a front, rear, left and/or right side view of the solar light of my new design;

(56) **References Cited**

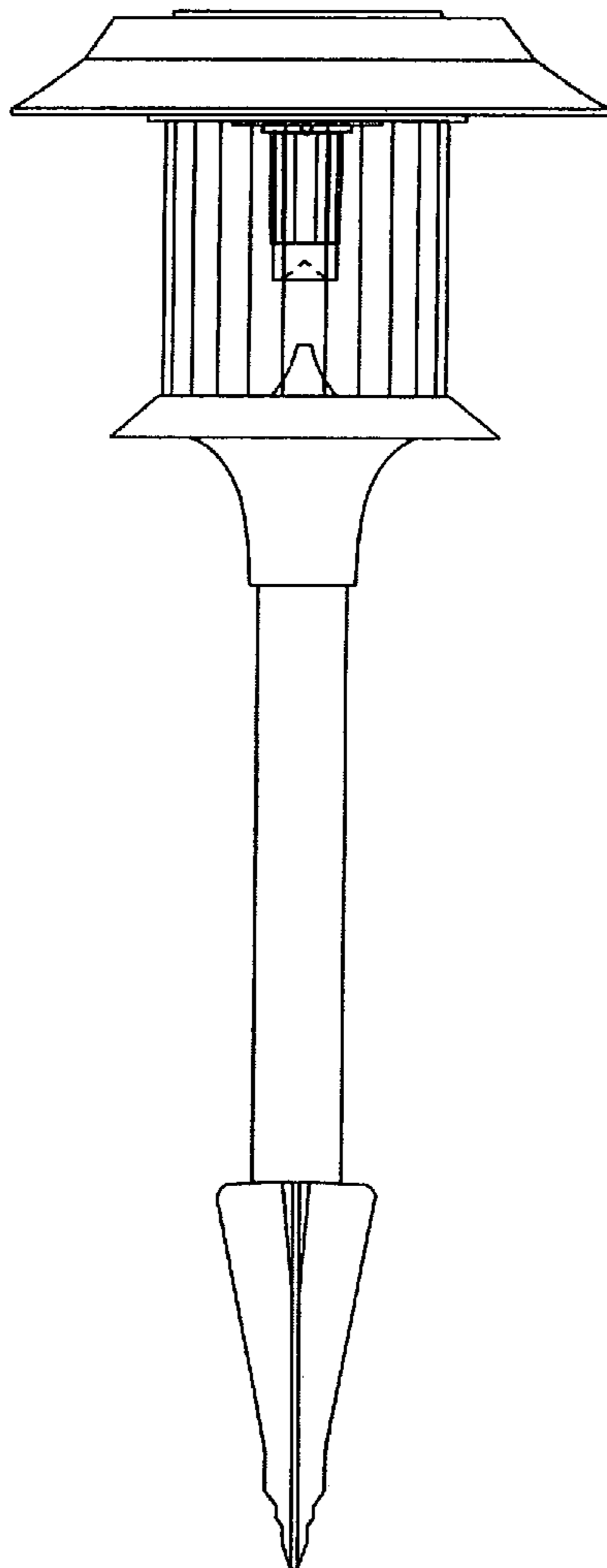
FIG. 2 is a top view of the solar light shown in FIG. 1 of the drawings; and,

**U.S. PATENT DOCUMENTS**

FIG. 3 is a bottom view of the solar light shown in FIG. 1 of the drawings.

D382,662 S \* 8/1997 Shalvi ..... D26/68  
D391,384 S \* 2/1998 Lerch ..... D26/67  
D471,662 S \* 3/2003 Sooferian ..... D26/67

**1 Claim, 1 Drawing Sheet**



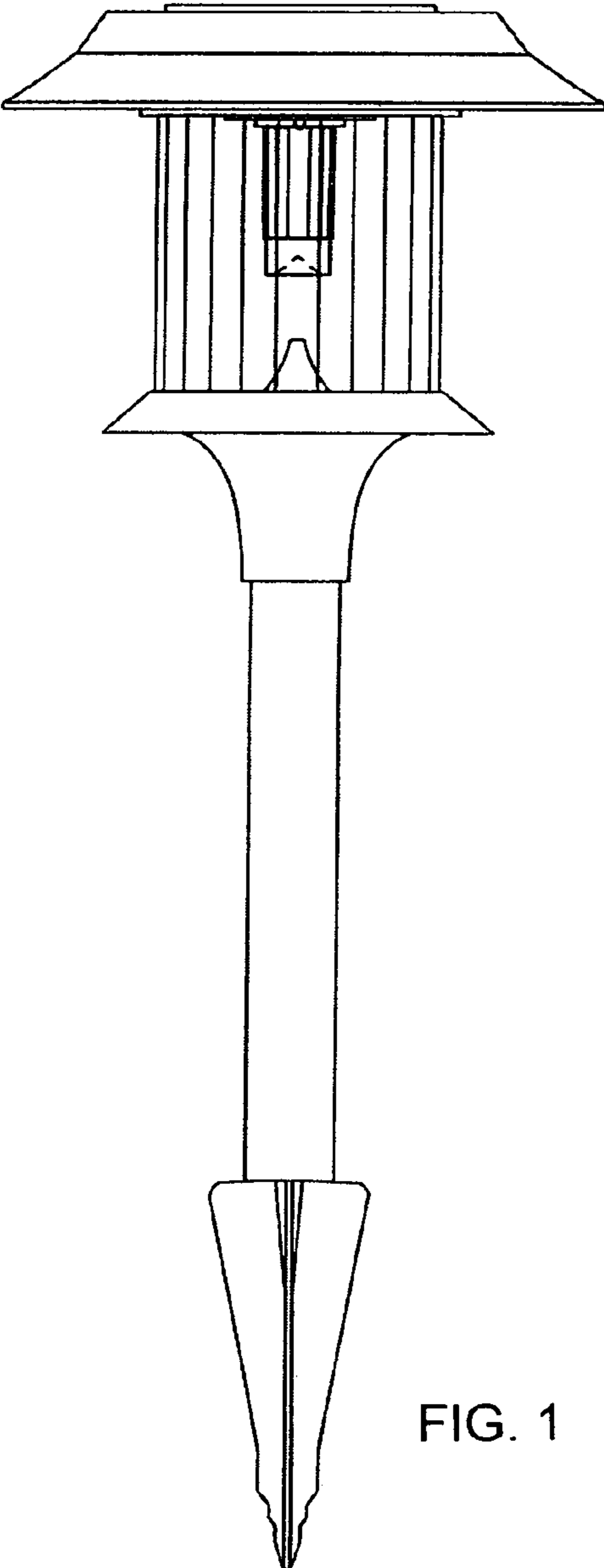


FIG. 1

FIG. 2

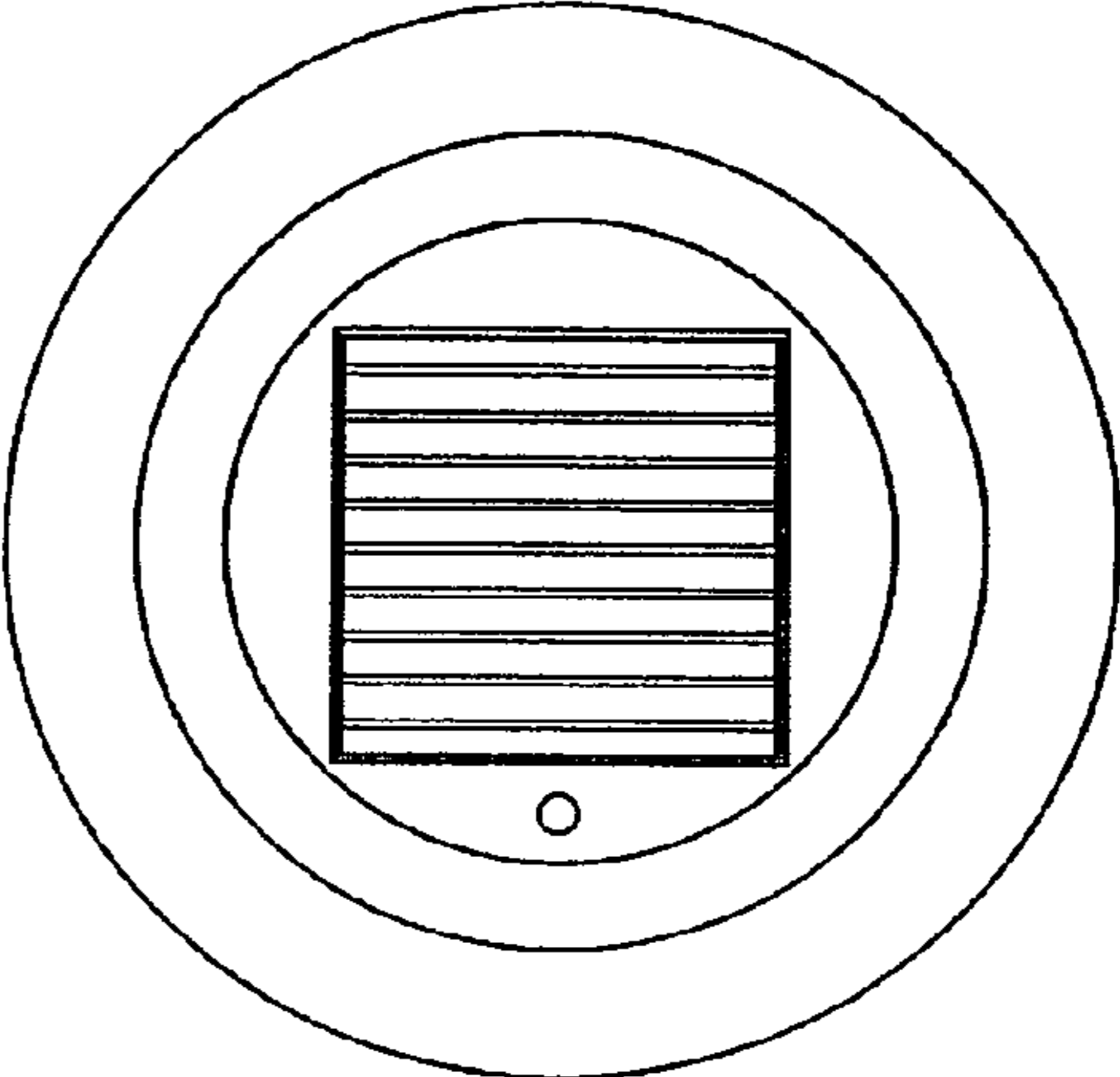


FIG. 3

