



US00D556929S

(12) **United States Design Patent** (10) **Patent No.:** **US D556,929 S**  
**Tarter et al.** (45) **Date of Patent:** **\*\* Dec. 4, 2007**

(54) **LANTERN**

D532,133 S 11/2006 Holsinger et al.

(75) Inventors: **Kevin J. Tarter**, Wichita, KS (US);  
**Traci D. Willing**, Wichita, KS (US)

(73) Assignee: **The Coleman Company, Inc.**, Wichita, KS (US)

(\*\*) Term: **14 Years**

(21) Appl. No.: **29/250,915**

(22) Filed: **Dec. 5, 2006**

(51) **LOC (8) Cl.** ..... **26-02**

(52) **U.S. Cl.** ..... **D26/40**

(58) **Field of Classification Search** ..... D26/37,  
D26/40, 41, 42, 49; 362/157, 158, 171-174,  
362/192-194, 198, 201, 205, 183, 184, 186,  
362/188, 191

See application file for complete search history.

(56) **References Cited**

**U.S. PATENT DOCUMENTS**

1,904,248	A *	4/1933	Bender et al.	.....	362/186
D190,674	S *	6/1961	Hoenisch et al.	.....	D26/41
D389,930	S *	1/1998	Lo	.....	D26/37
D397,467	S *	8/1998	Howard et al.	.....	D26/41
D429,354	S *	8/2000	Petterson	.....	D26/40
D433,762	S *	11/2000	Yuen	.....	D26/40
D443,088	S *	5/2001	Skidmore et al.	.....	D26/40
D468,039	S *	12/2002	Poon	.....	D26/40
D486,598	S *	2/2004	Lo	.....	D26/40
D532,132	S	11/2006	Holsinger et al.		

**OTHER PUBLICATIONS**

The Coleman Company, Inc., "Coleman Lanterns," Coleman Collectors' Guide 1903-1954, 34 pgs.  
The Coleman Company, Inc., "Coleman Lamps," Coleman Collectors' Guide 1903-1954, 60 pgs.  
Tucker, Carl R., "Coleman Lighting Systems," Coleman Collectors' Guide 1903-1954, 34 pgs., The Coleman Company, Inc., 1993.

\* cited by examiner

*Primary Examiner*—Ian Simmons

*Assistant Examiner*—Carissa C Fitts

(74) *Attorney, Agent, or Firm*—Leydig, Voit & Mayer, Ltd.

(57) **CLAIM**

The ornamental design for a lantern, as shown and described.

**DESCRIPTION**

FIG. 1 is a side perspective view of an embodiment of our new lantern;

FIG. 2 is a front elevation view thereof;

FIG. 3 is a rear elevation view thereof;

FIG. 4 is a right side elevation view thereof, the left side being a mirror image thereof; and,

FIG. 5 is a top plan view thereof.

The broken line showing is for illustrative purposes only and forms no part of the claimed design.

**1 Claim, 2 Drawing Sheets**

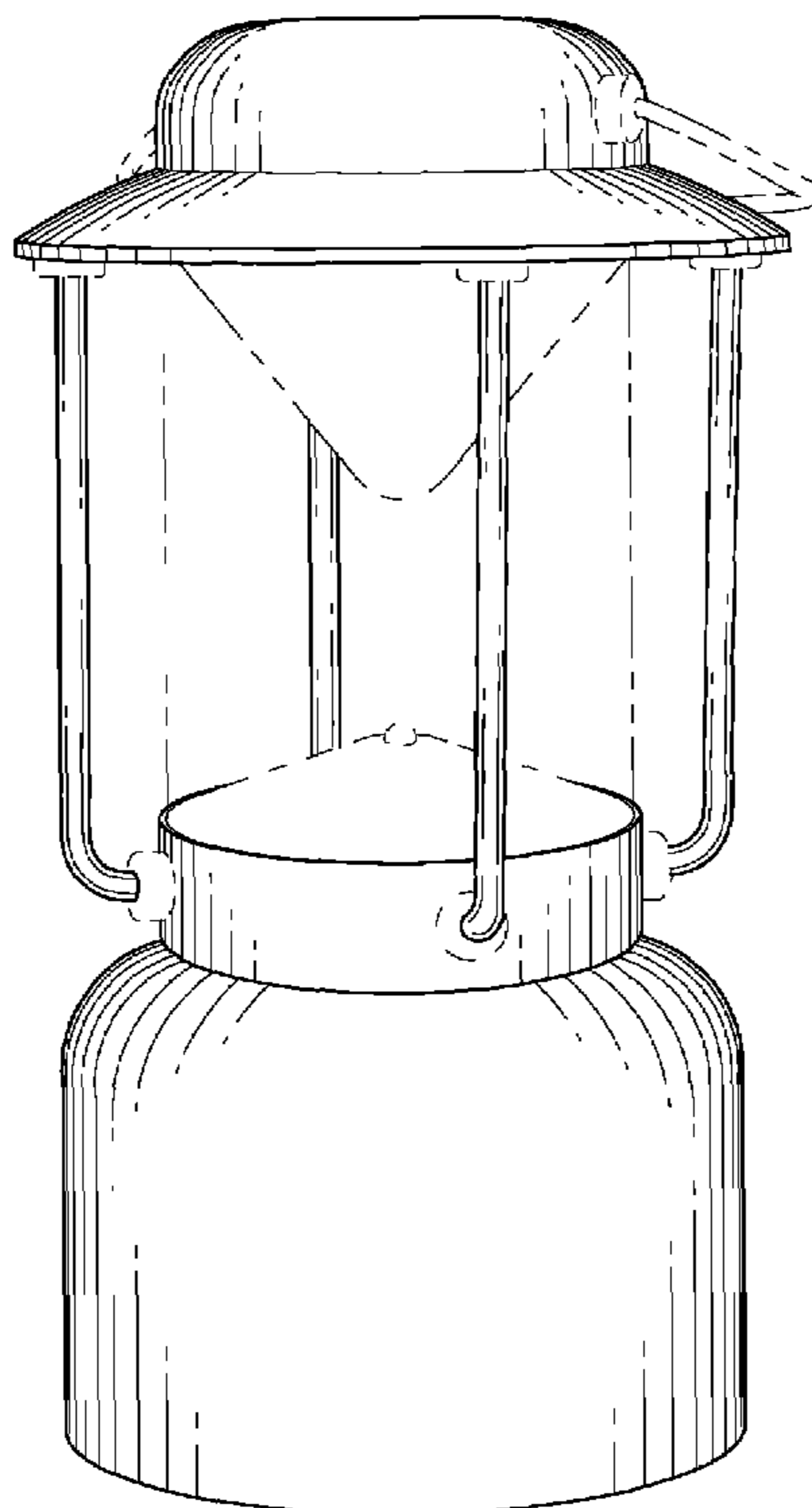


FIG. 1

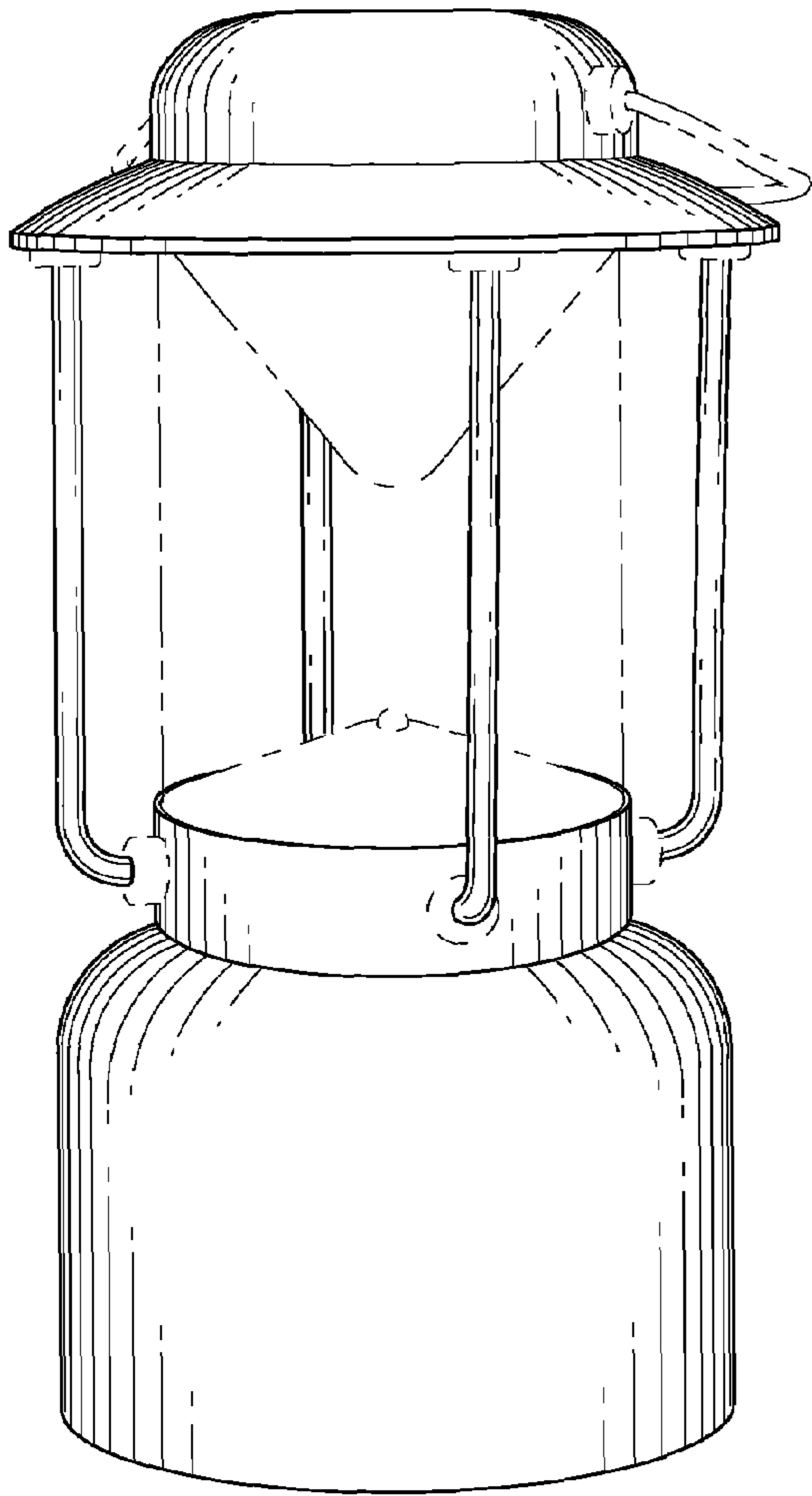


FIG. 2

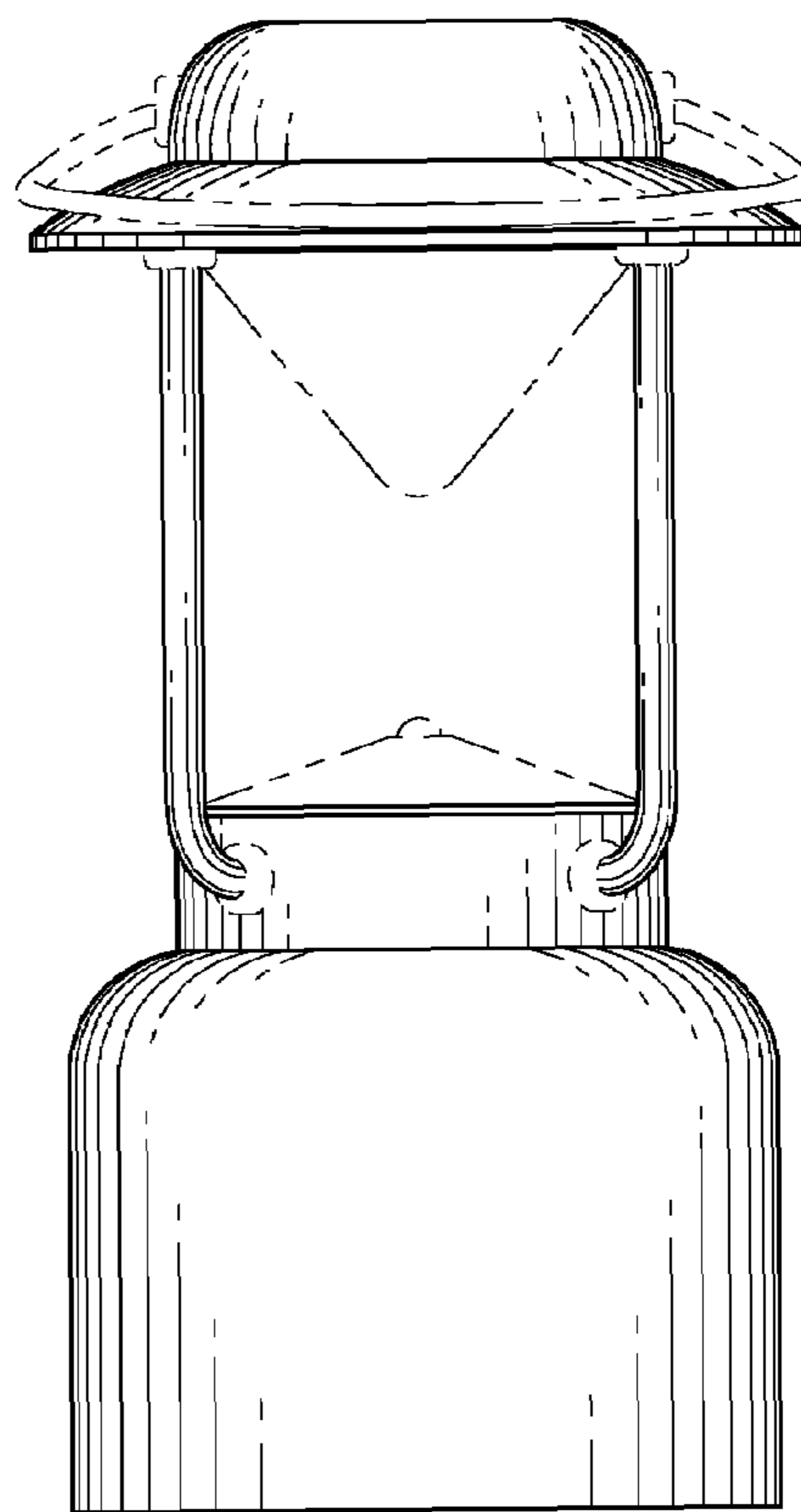


FIG. 3

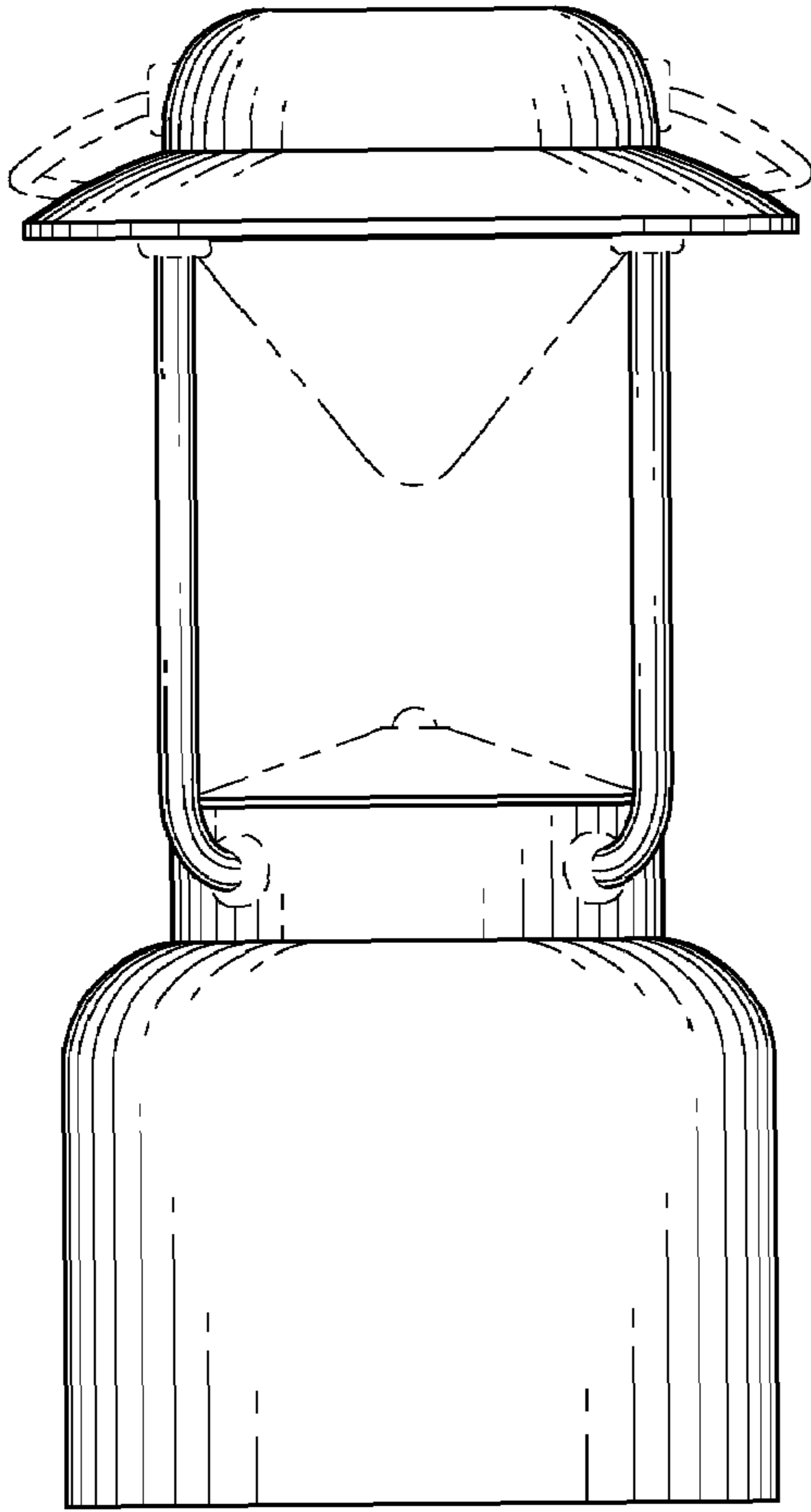


FIG. 4

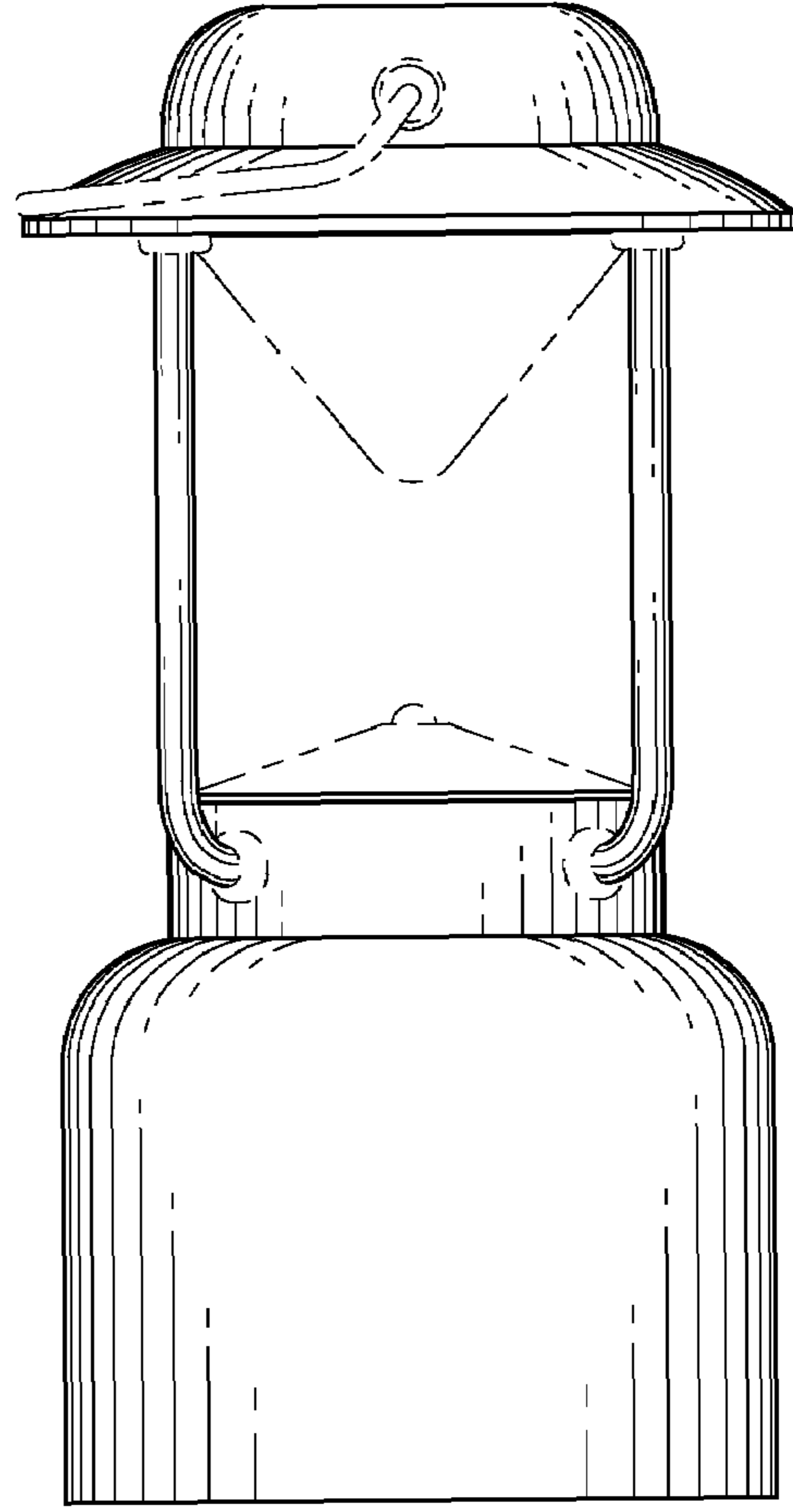


FIG. 5

