



US00D556928S

(12) **United States Design Patent** (10) **Patent No.:** **US D556,928 S**
Poon (45) **Date of Patent:** **** Dec. 4, 2007**

(54) **LANTERN**

(75) Inventor: **Tit Wing Poon**, Fo Tan (HK)

(73) Assignee: **Flying Dragon Development Limited**,
Fotan (HK)

(**) Term: **14 Years**

(21) Appl. No.: **29/249,873**

(22) Filed: **Oct. 24, 2006**

(30) **Foreign Application Priority Data**

May 20, 2006 (HK) 0601322

(51) **LOC (8) Cl.** **26-02**

(52) **U.S. Cl.** **D26/40; D26/41**

(58) **Field of Classification Search** D26/37,
D26/40, 41, 42, 49; 362/157, 158, 171-174,
362/192-194, 198, 201, 205, 183, 184, 186,
362/188, 191

See application file for complete search history.

(56) **References Cited**

U.S. PATENT DOCUMENTS

D190,674 S * 6/1961 Hoenisch et al. D26/41
D429,354 S * 8/2000 Petterson D26/40
D443,088 S * 5/2001 Skidmore et al. D26/40
D462,469 S * 9/2002 Poon D26/37
D485,928 S * 1/2004 Leung et al. D26/40

D486,931 S * 2/2004 Lee D26/38
D486,932 S * 2/2004 Dario et al. D26/40
D509,920 S * 9/2005 Fritz et al. D26/40
D521,167 S * 5/2006 Krieger et al. D26/40

* cited by examiner

Primary Examiner—Ian Simmons

Assistant Examiner—Carissa C Fitts

(74) *Attorney, Agent, or Firm*—Intellectual Property Law
Group LLP; Otto O. Lee; Juneko Jackson

(57) **CLAIM**

The ornamental design for a lantern, as shown and
described.

DESCRIPTION

FIG. 1 is a top perspective view of a lantern embodying my
new design;

FIG. 2 is a bottom perspective view thereof;

FIG. 3 is a front elevational view thereof;

FIG. 4 is a rear elevational view thereof;

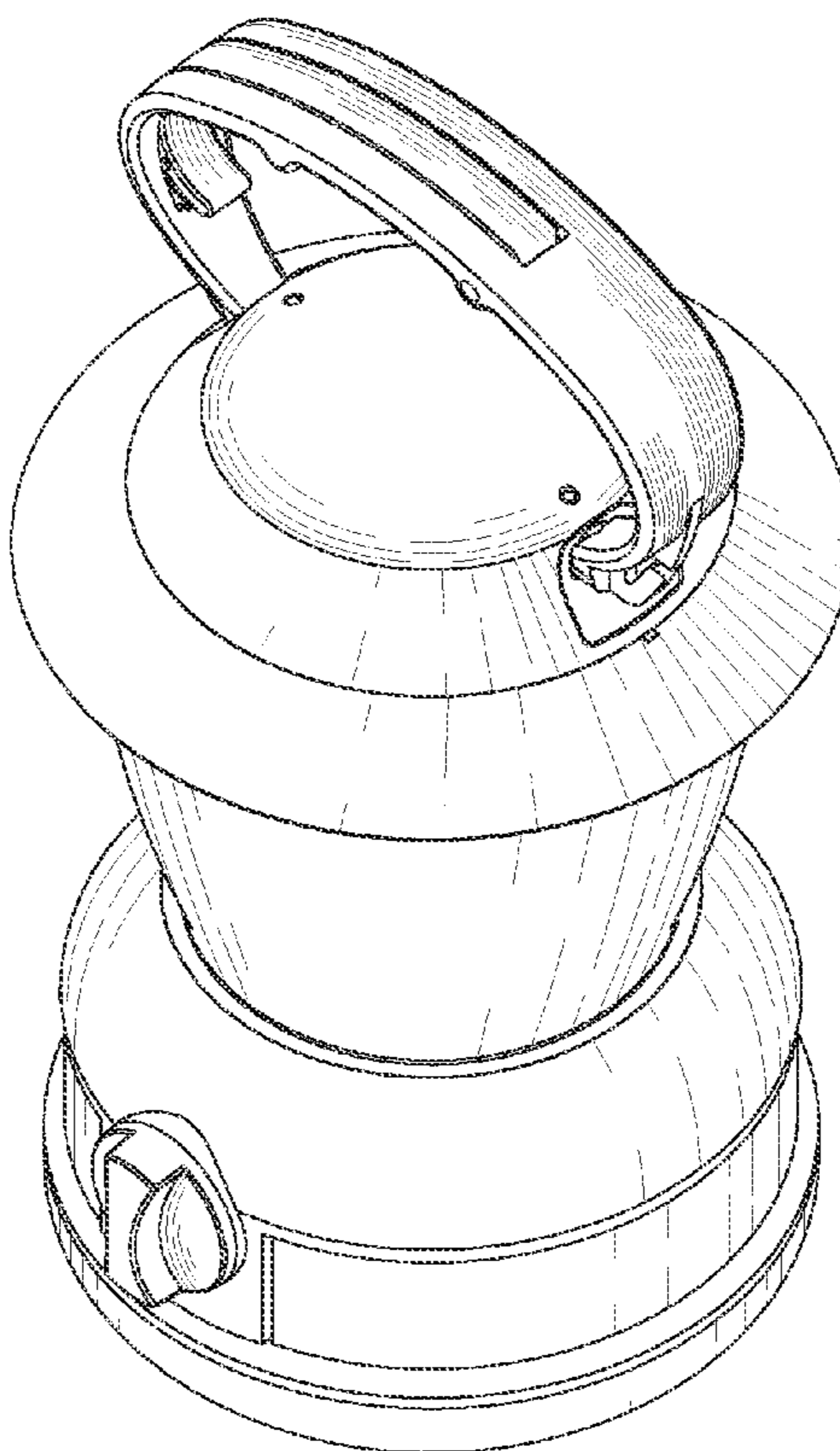
FIG. 5 is a left side elevational view thereof;

FIG. 6 is a right side elevational view thereof.

FIG. 7 is a top plan view thereof; and,

FIG. 8 is a bottom plan view thereof.

1 Claim, 4 Drawing Sheets



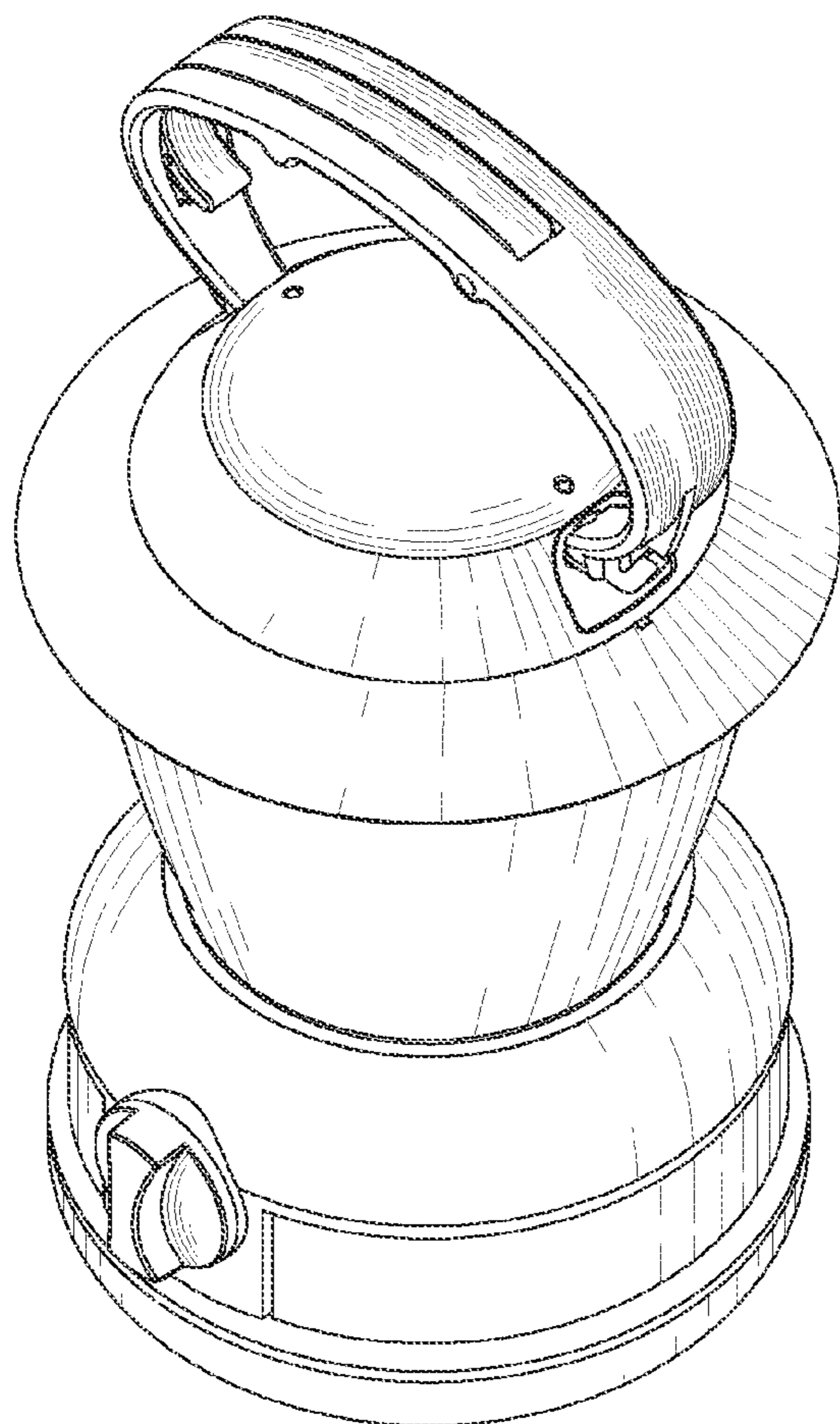


FIG. 1

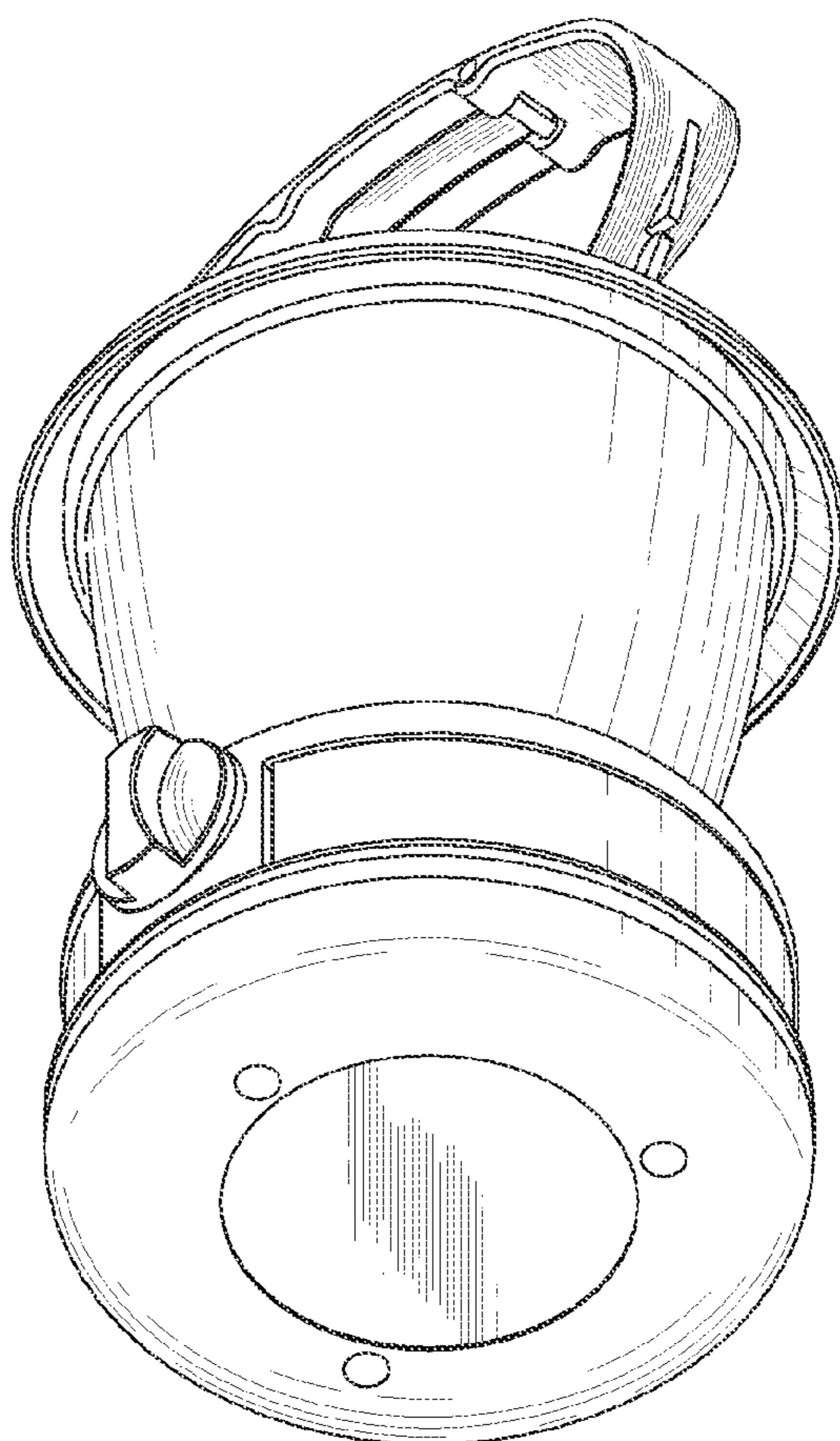


FIG. 2

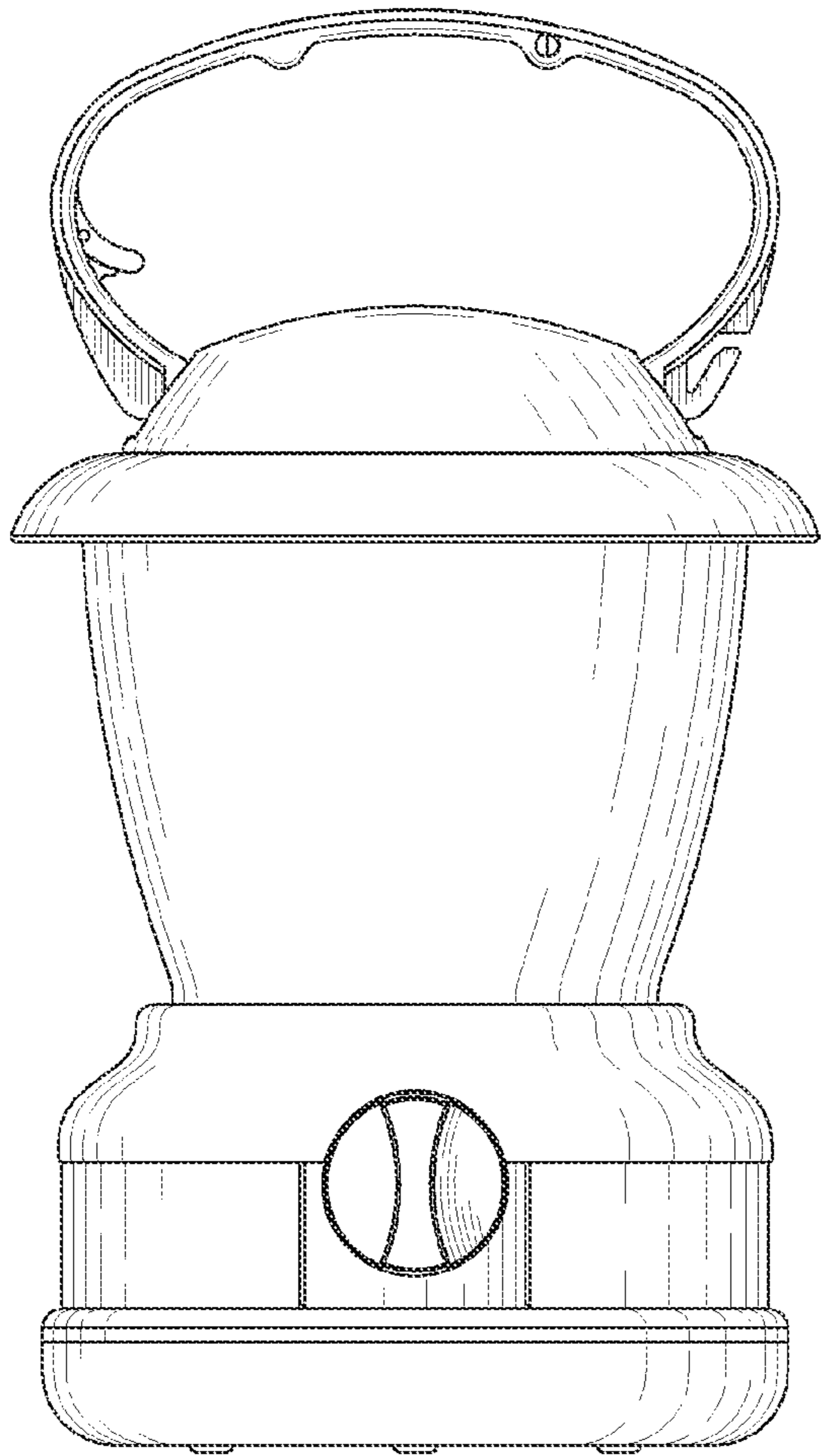


FIG. 3

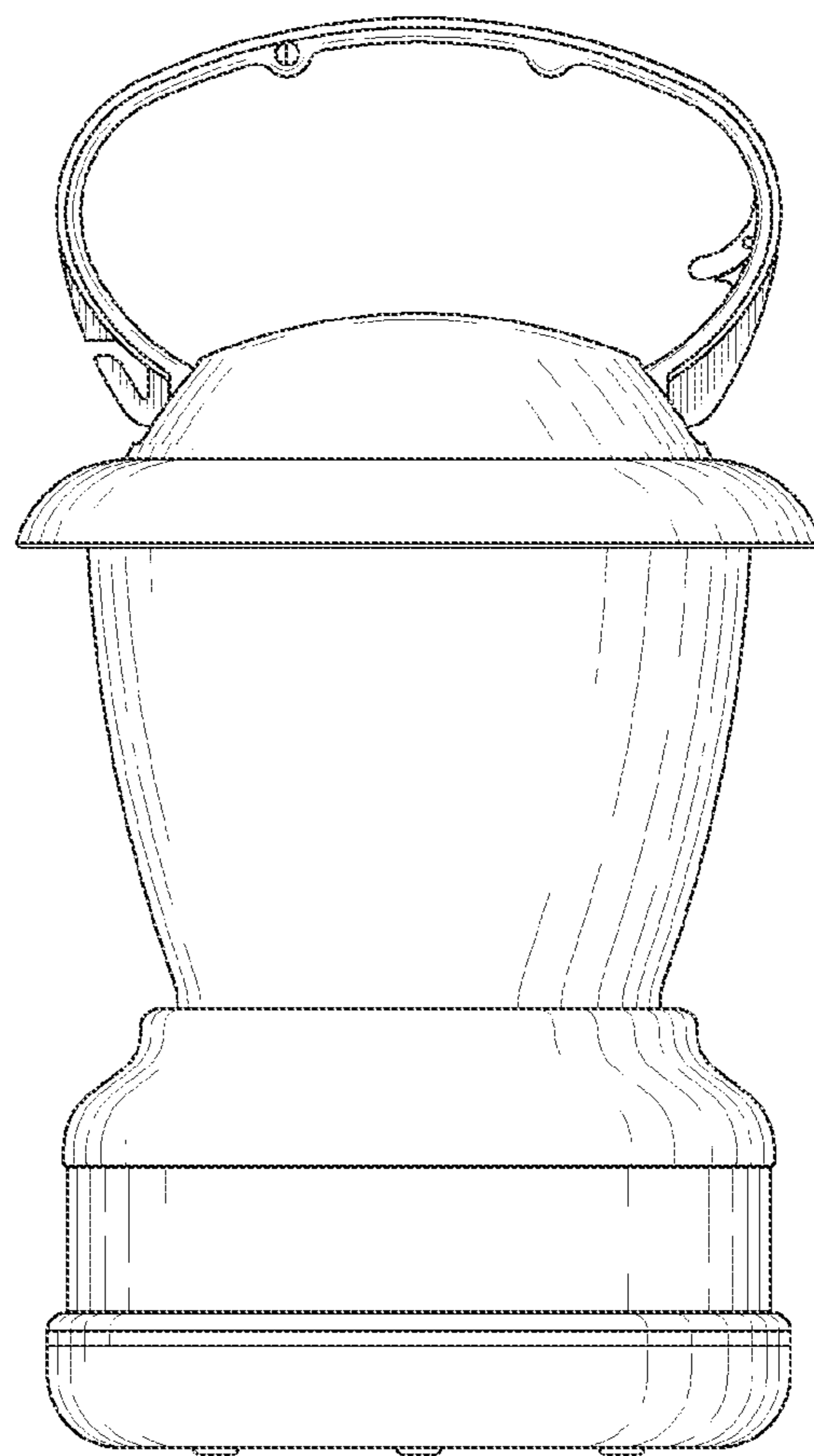


FIG. 4

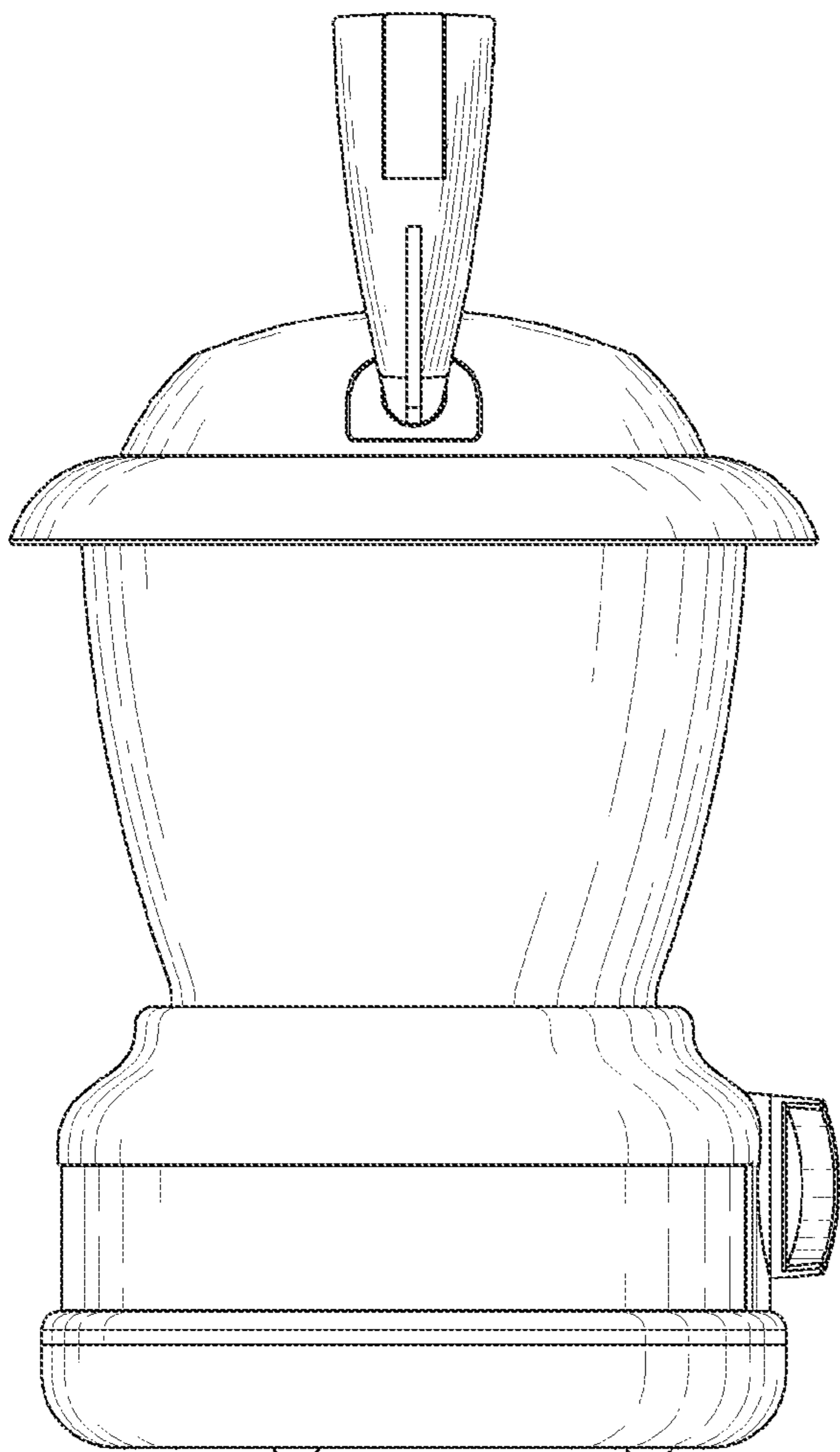


FIG. 5

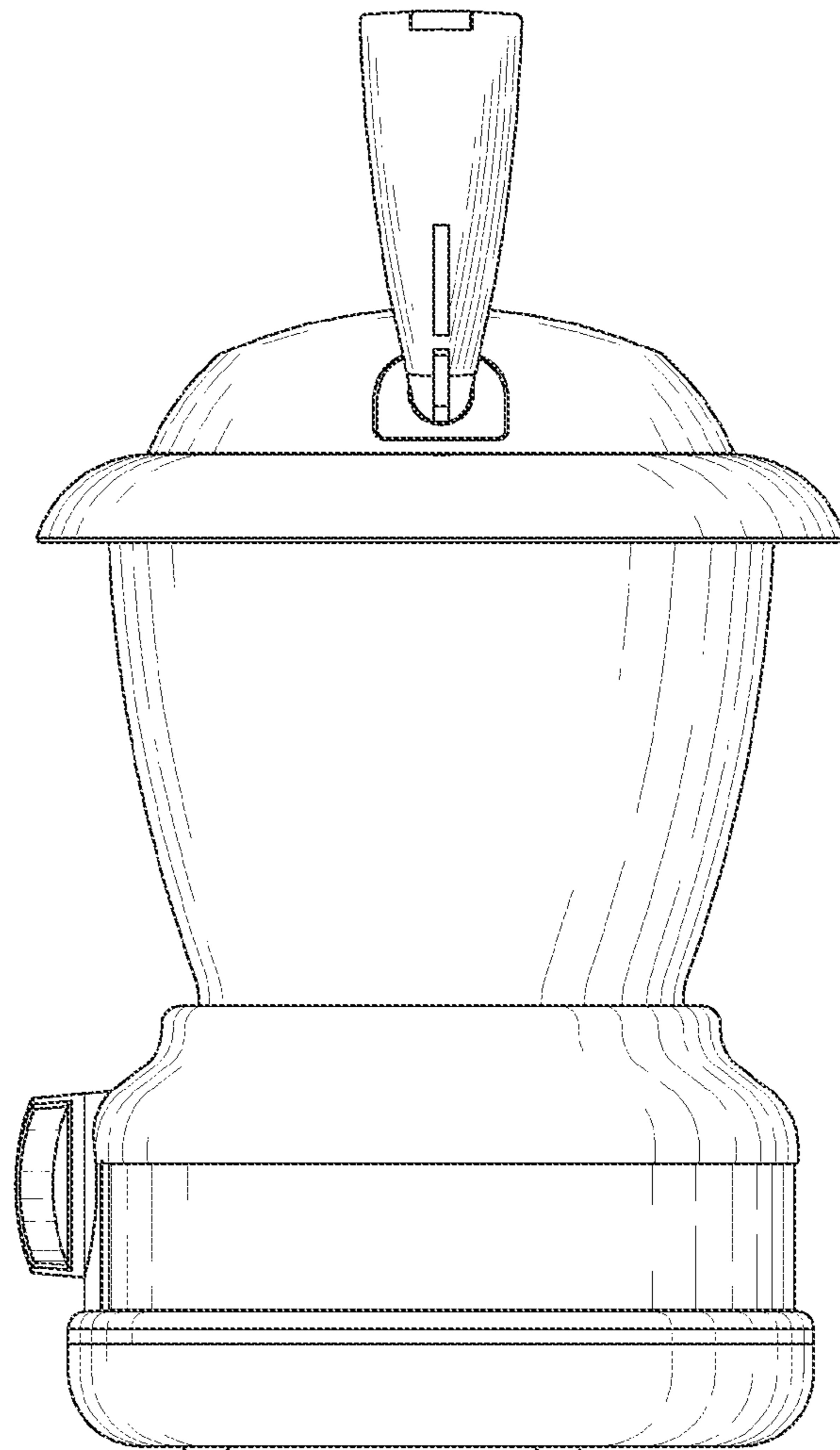


FIG. 6

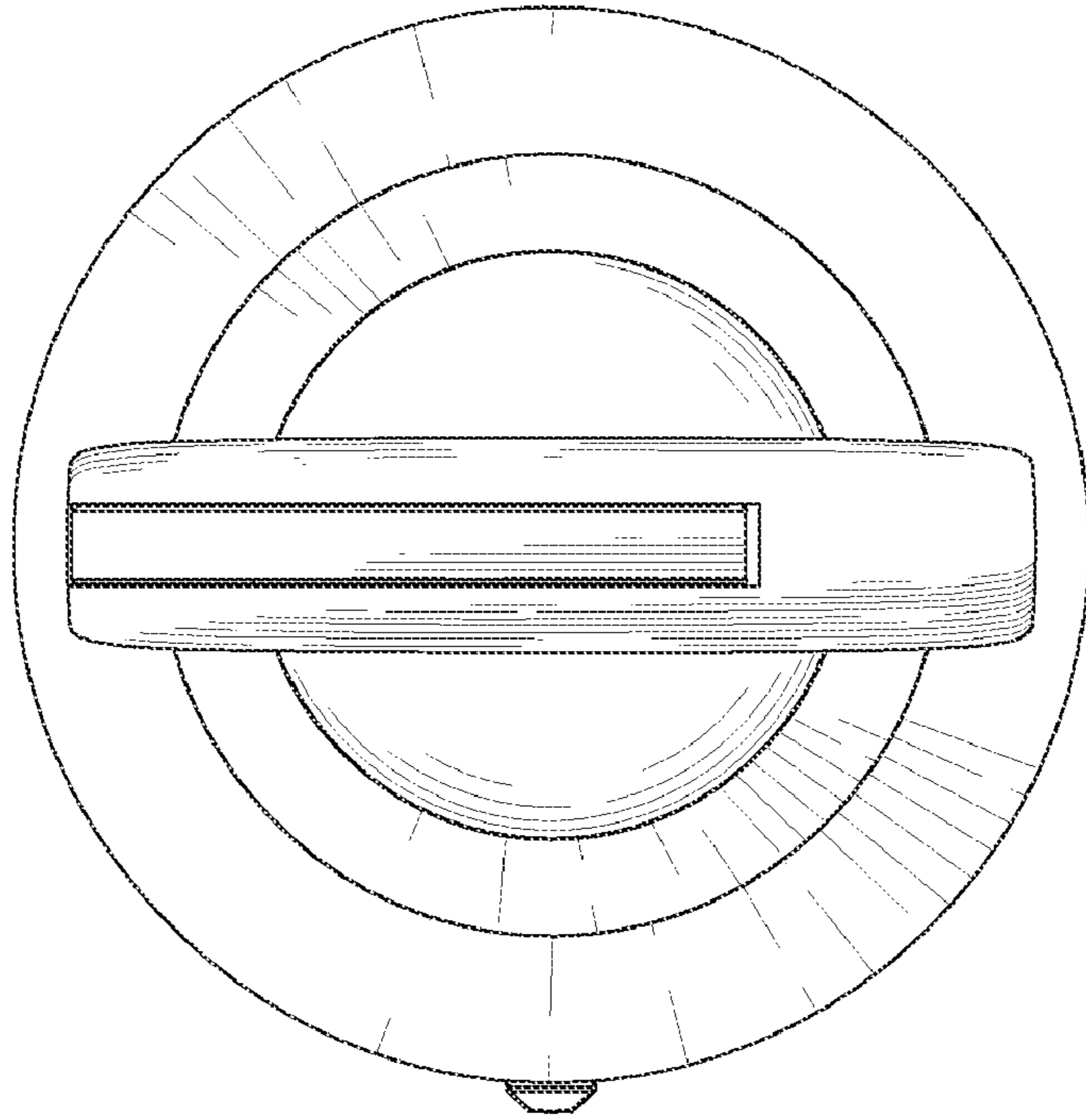


FIG. 7

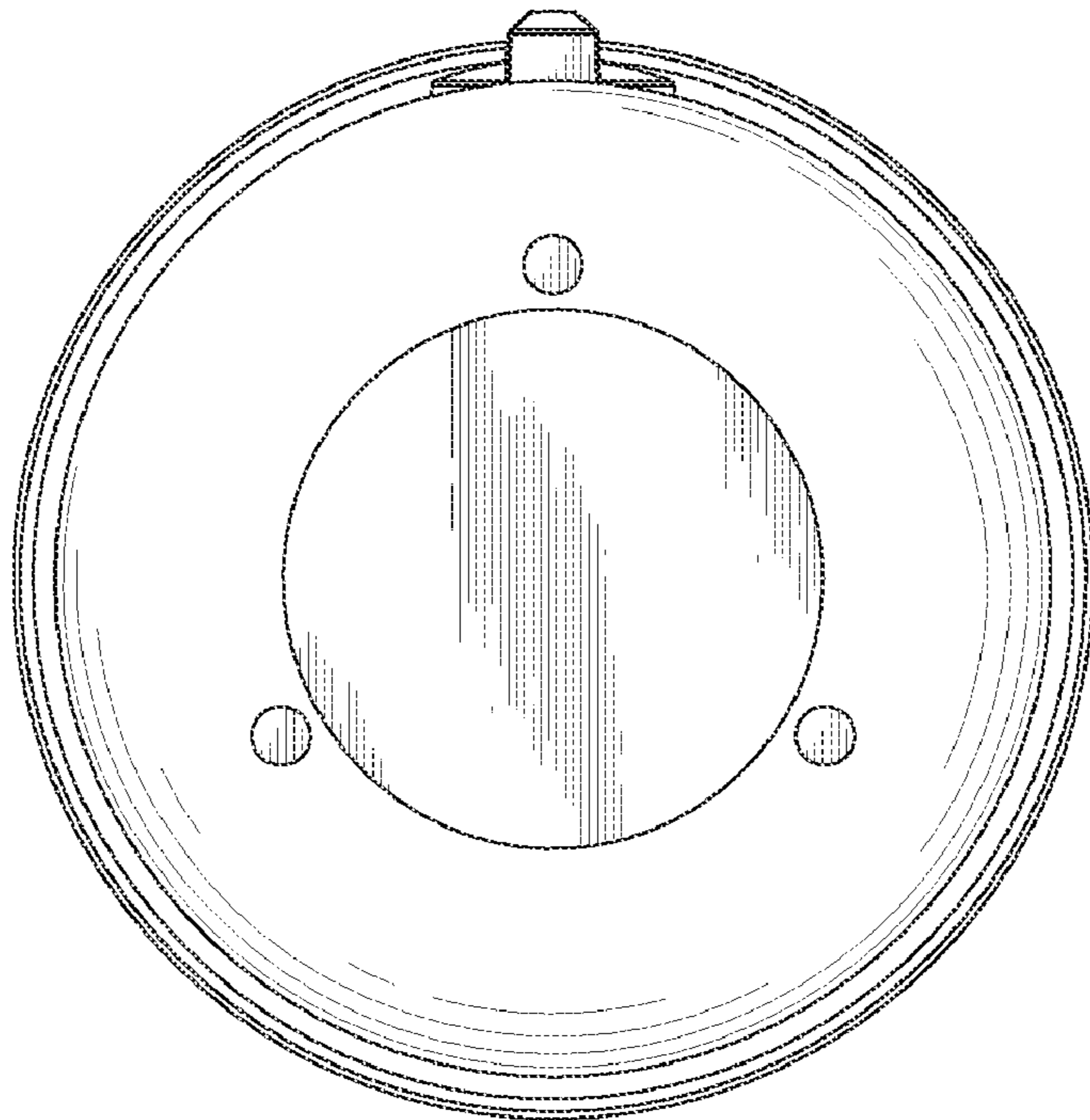


FIG. 8