



US00D556927S

(12) **United States Design Patent**
Shiu

(10) **Patent No.:** **US D556,927 S**

(45) **Date of Patent:** **** Dec. 4, 2007**

(54) **PORTABLE LIGHT SOURCE**

D532,538 S * 11/2006 Yuen D26/39
D542,450 S * 5/2007 Shiu D26/60

(75) Inventor: **Stephanie Wai Man Shiu**, Kowloon
(HK)

* cited by examiner

(73) Assignee: **Gold Coral International Limited**,
San Po Kong, Kowloon (HK)

Primary Examiner—Marcus A. Jackson
(74) *Attorney, Agent, or Firm*—Joseph G. Swan, PC

(**) Term: **14 Years**

(57) **CLAIM**

(21) Appl. No.: **29/278,297**

The ornamental design for a portable light source, as shown
and described.

(22) Filed: **Mar. 23, 2007**

DESCRIPTION

(30) **Foreign Application Priority Data**

Oct. 12, 2006 (HK) 0602627

FIG. 1 is a front elevational view of a portable light source
according to the present invention.

(51) **LOC (8) Cl.** **26-02**

FIG. 2 is a rear elevational view of the portable light source.

(52) **U.S. Cl.** **D26/39**

FIG. 3 is a top plan view of the portable light source.

(58) **Field of Classification Search** D26/37-50;
362/157, 158, 171-174, 183-208
See application file for complete search history.

FIG. 4 is a bottom plan view of the portable light source.

FIG. 5 is a right side elevational view of the portable light
source; and,

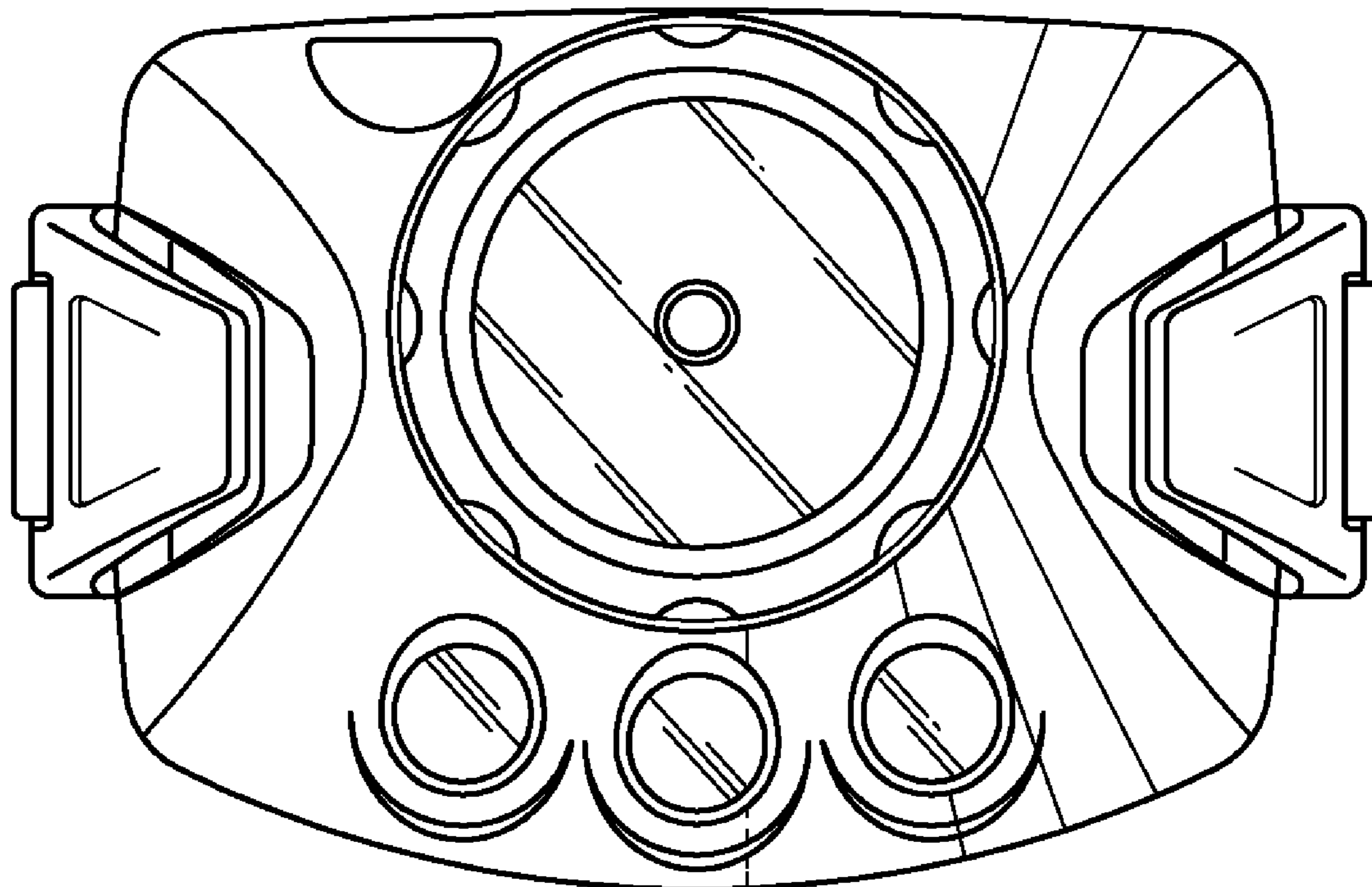
(56) **References Cited**

FIG. 6 is a left side elevational view of the portable light
source.

U.S. PATENT DOCUMENTS

D520,656 S * 5/2006 Shiu D26/28

1 Claim, 3 Drawing Sheets



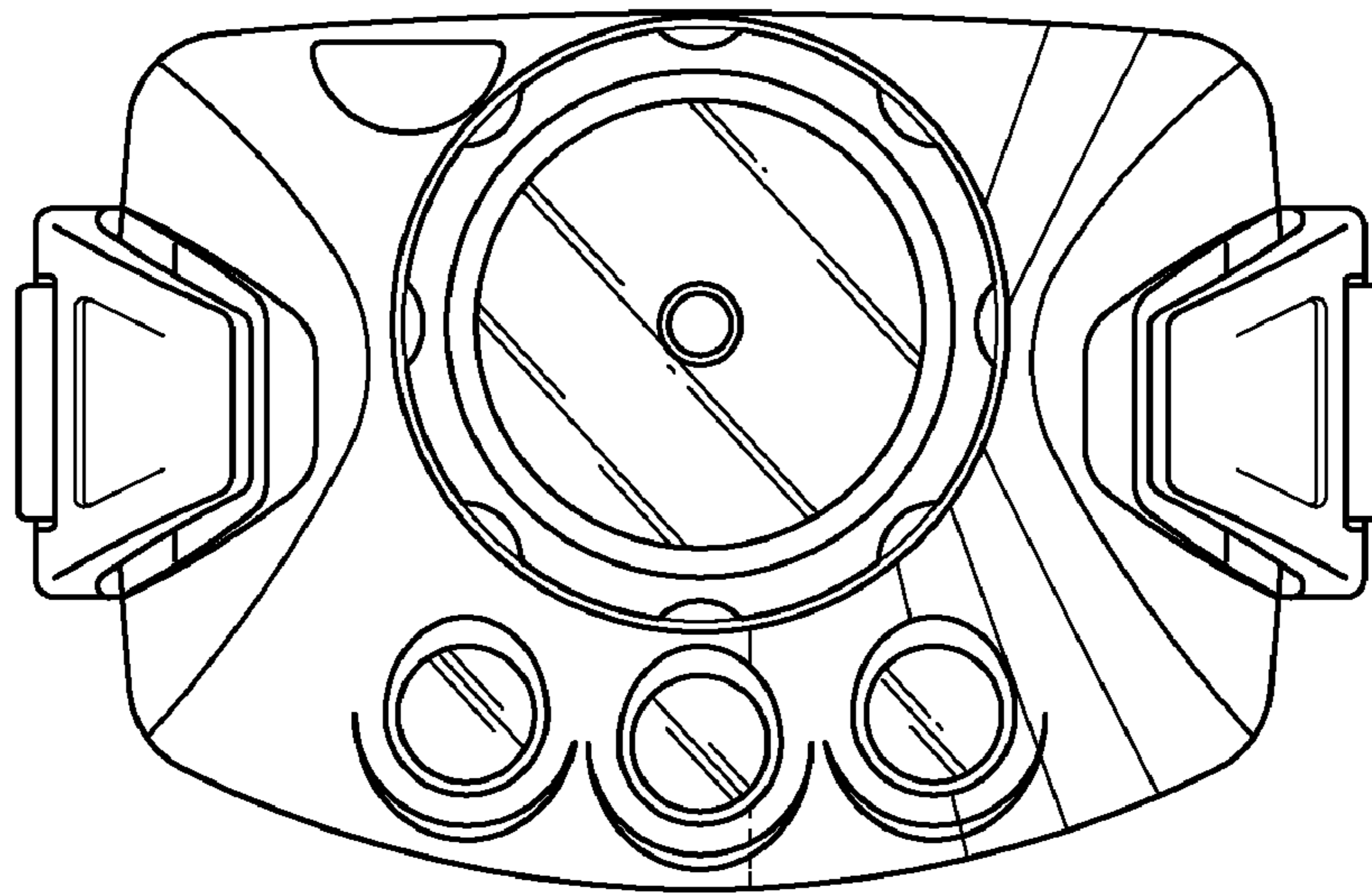


FIG. 1

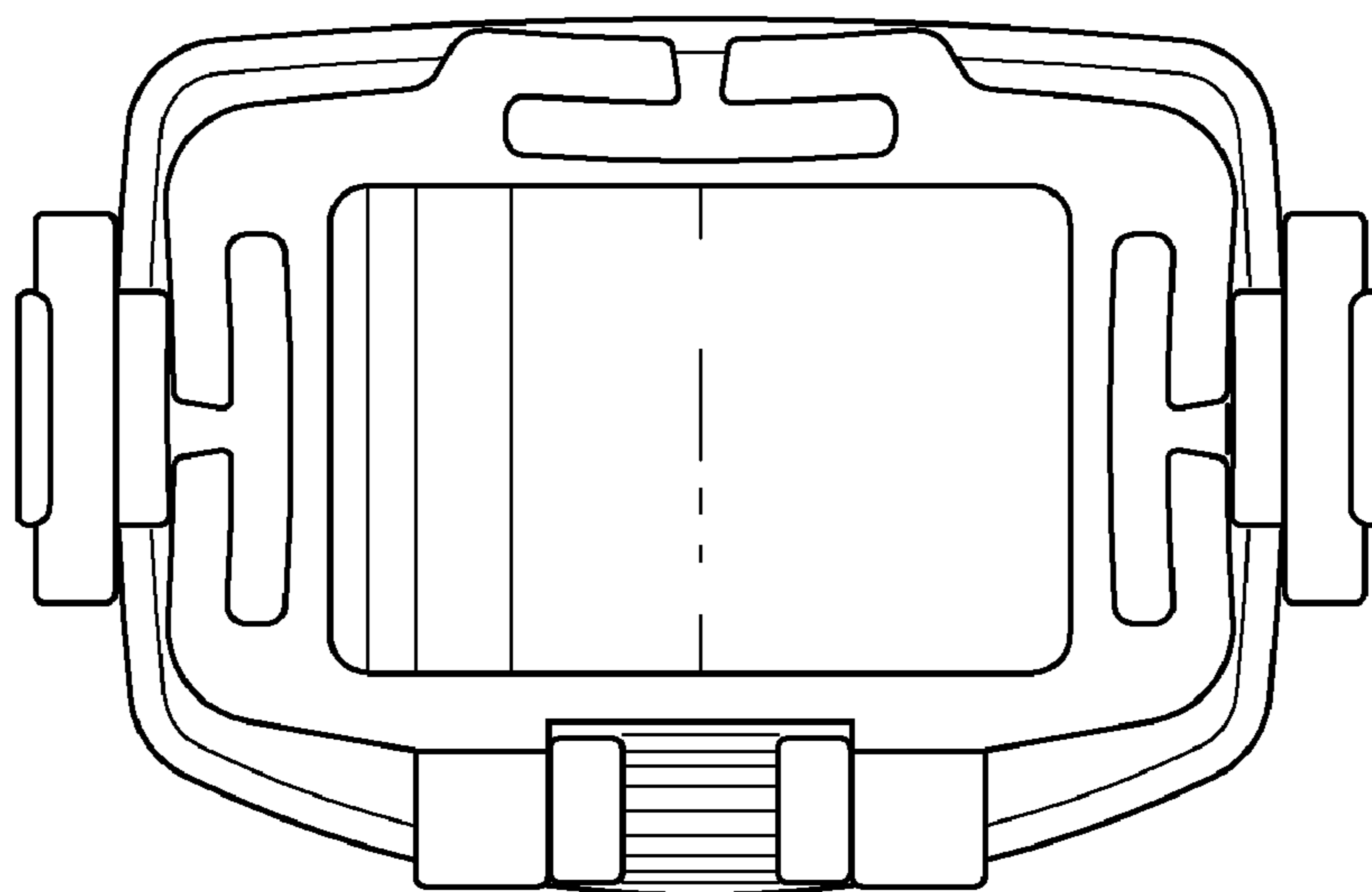


FIG. 2

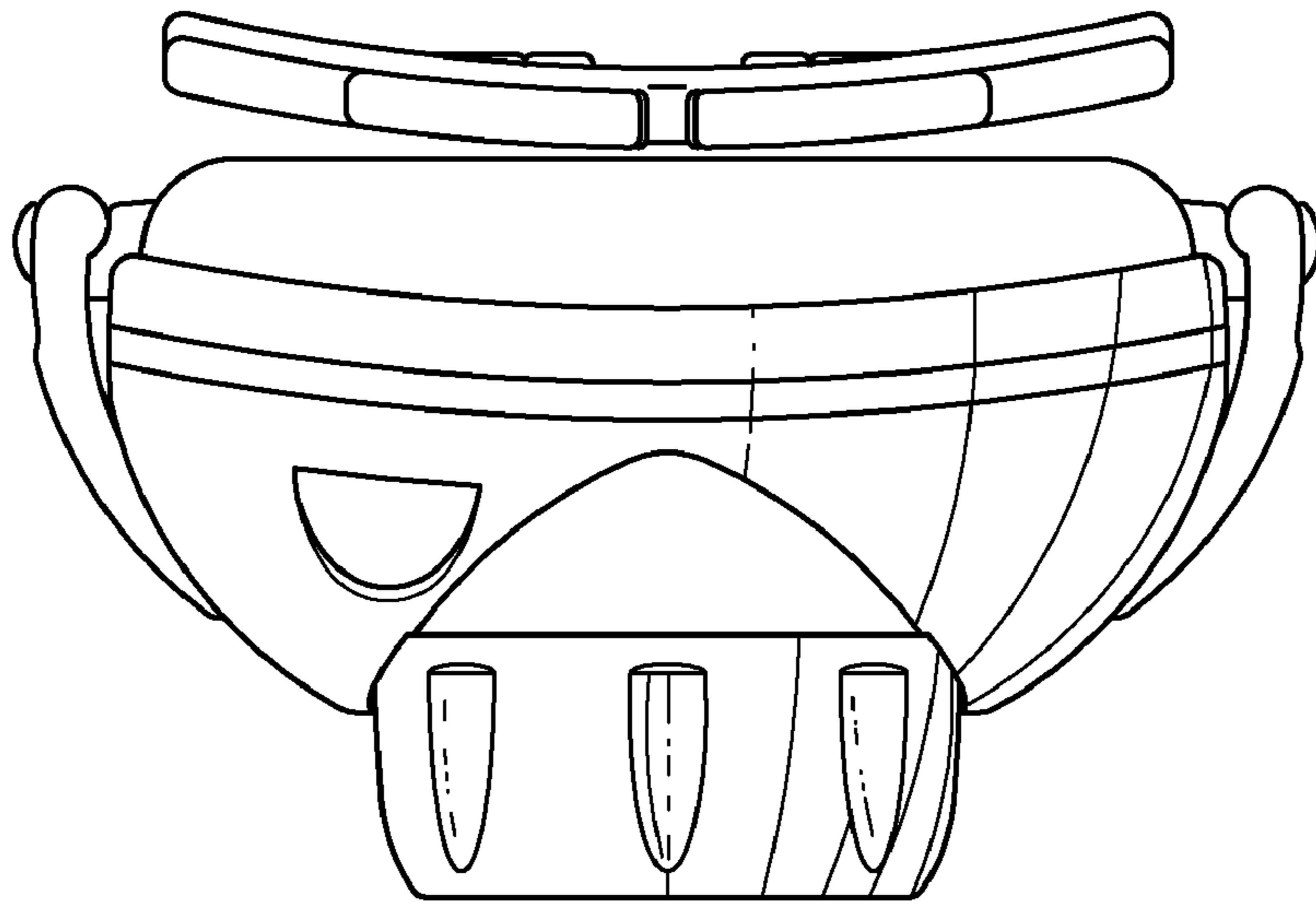


FIG. 3

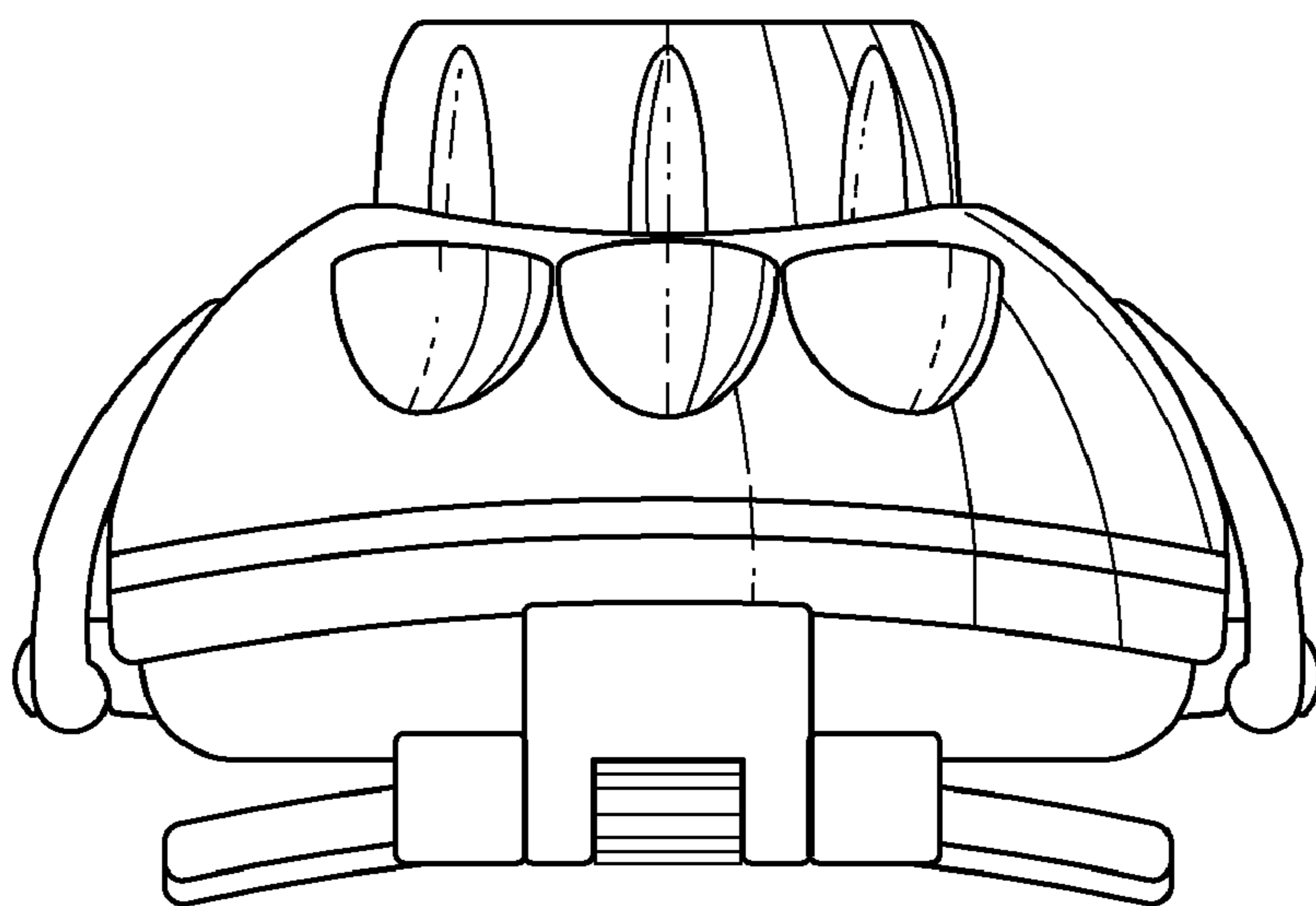


FIG. 4

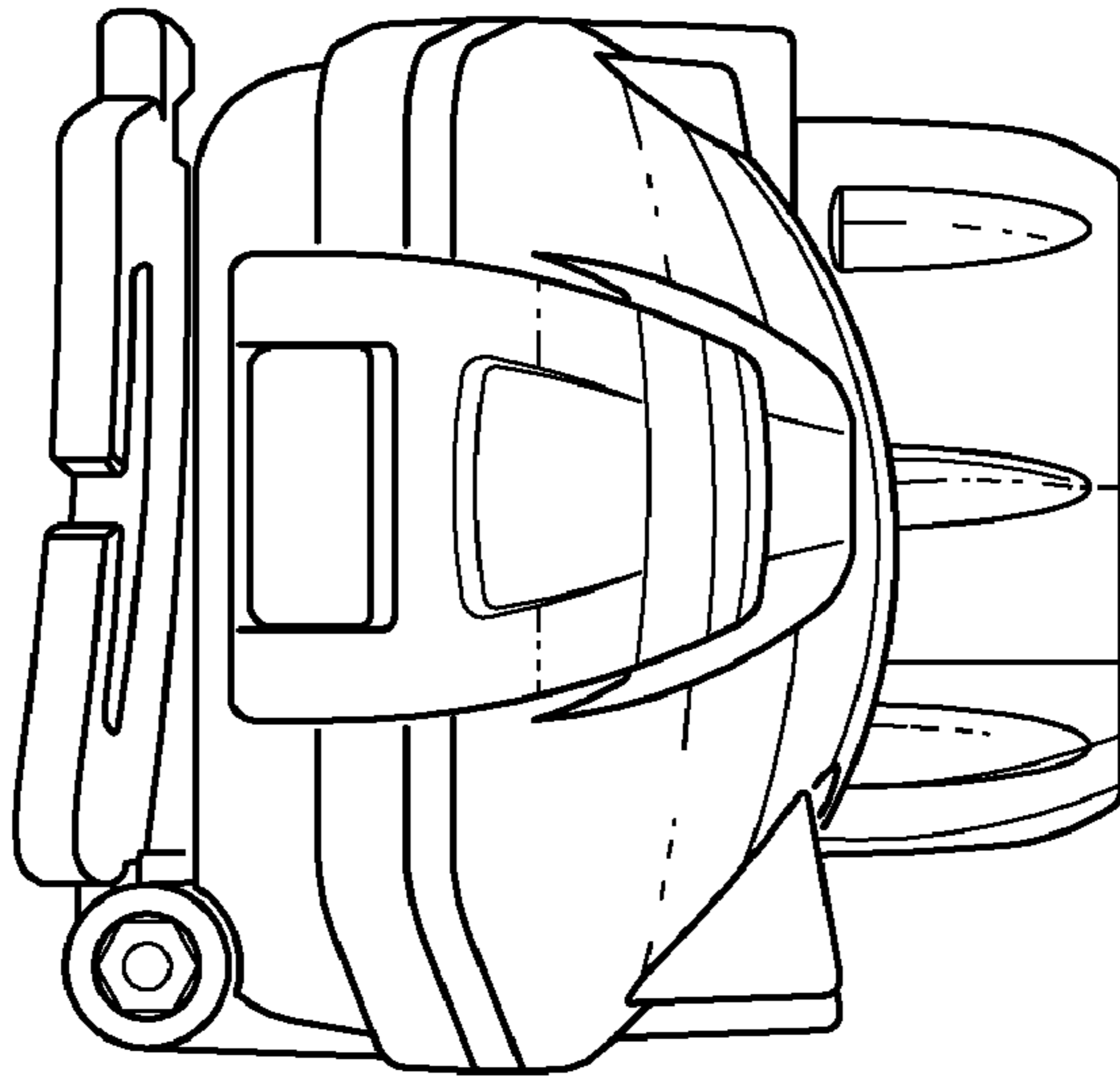


FIG. 5

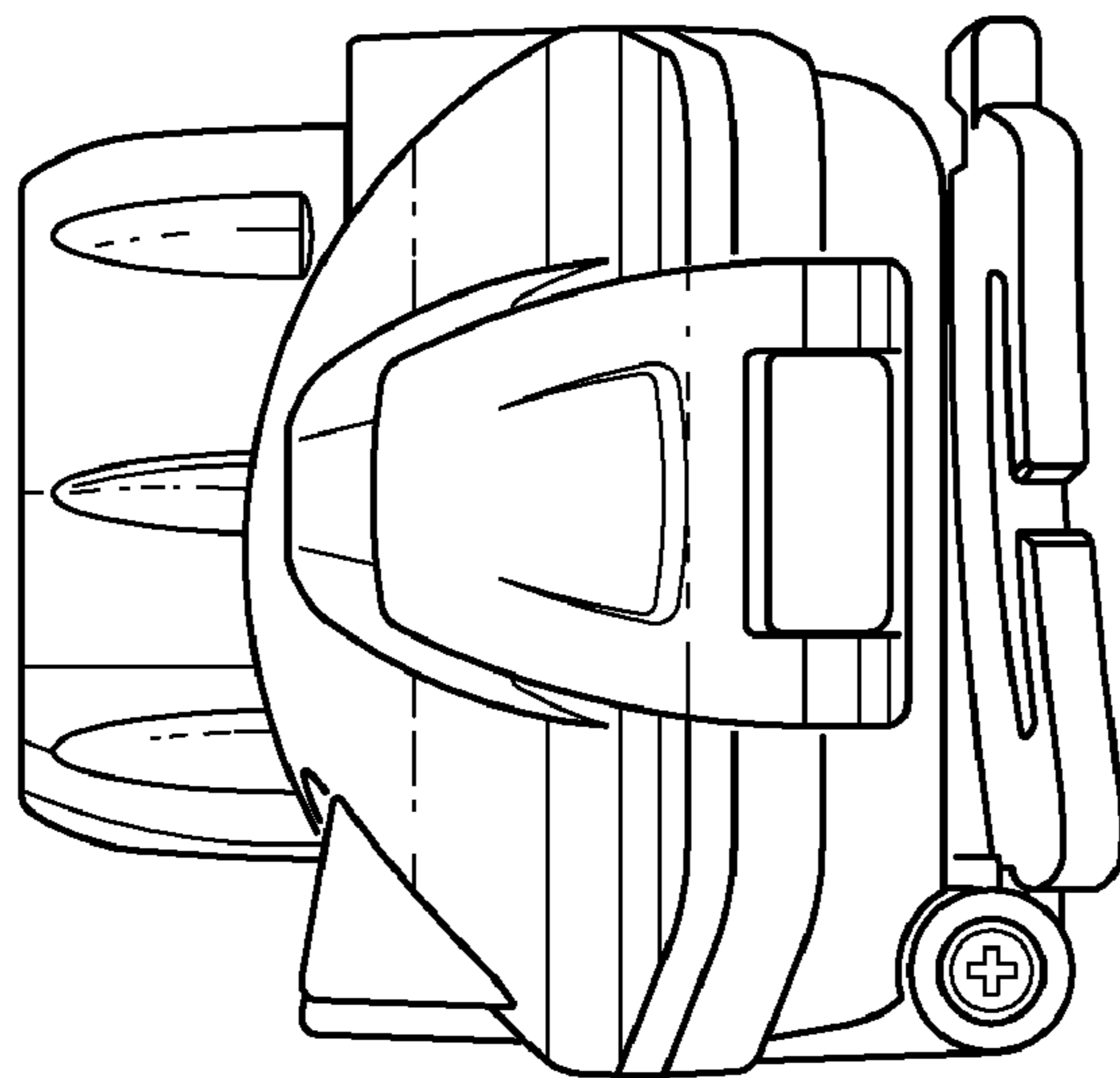


FIG. 6