



US00D556925S

(12) **United States Design Patent**
Lin

(10) **Patent No.:** **US D556,925 S**

(45) **Date of Patent:** **** Dec. 4, 2007**

(54) **AUXILIARY VEHICLE LIGHT HOUSING**

D530,029 S * 10/2006 Neufeglise et al. D26/28

(76) Inventor: **Benny Lin**, Building B, No. 30, Lane
9, Sec. 2, Jhongsing Rd., Wugu Hsiang,
Taipei Hsien (TW)

* cited by examiner

Primary Examiner—Marcus A. Jackson
(74) *Attorney, Agent, or Firm*—Birch, Stewart, Kolasch &
Birch, LLP

(**) Term: **14 Years**

(21) Appl. No.: **29/274,332**

(57) **CLAIM**

The ornamental design for an auxiliary vehicle light hous-
ing, as shown and described.

(22) Filed: **Apr. 18, 2007**

(51) **LOC (8) Cl.** **26-06**

(52) **U.S. Cl.** **D26/28**

(58) **Field of Classification Search** D26/28-36;
362/459-468, 475-478, 485-487
See application file for complete search history.

DESCRIPTION

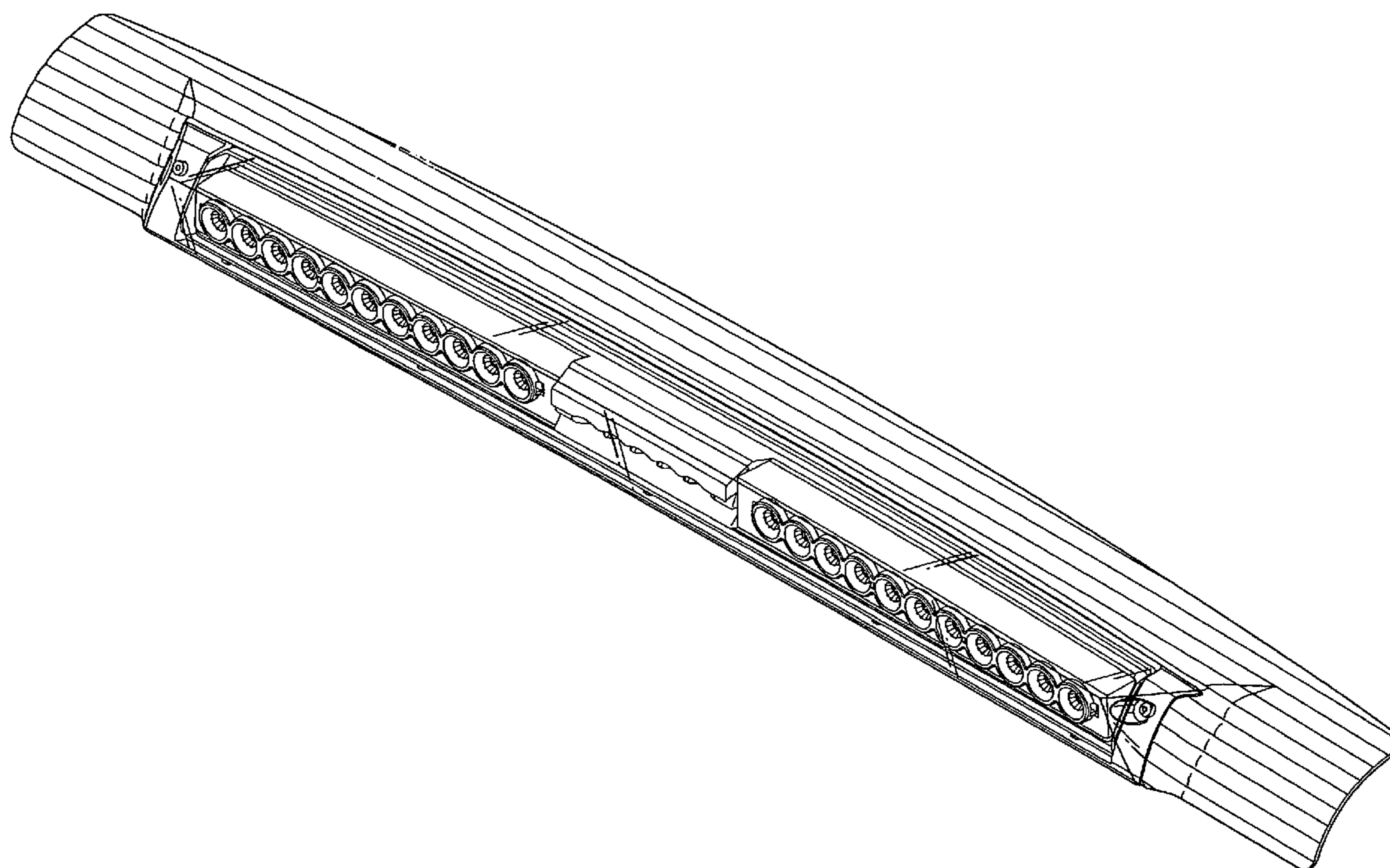
FIG. 1 is a perspective view of an auxiliary vehicle light housing showing my new design;
FIG. 2 is a front view thereof;
FIG. 3 is a rear view thereof;
FIG. 4 is a three-times-enlarged left side view thereof;
FIG. 5 is a three-times-enlarged right side view thereof;
FIG. 6 is top view thereof; and,
FIG. 7 is a bottom view thereof.

(56) **References Cited**

U.S. PATENT DOCUMENTS

- D320,363 S * 10/1991 Lyons D10/114
- D373,432 S * 9/1996 Wu D26/28
- D390,675 S * 2/1998 Wilson D26/30

1 Claim, 4 Drawing Sheets



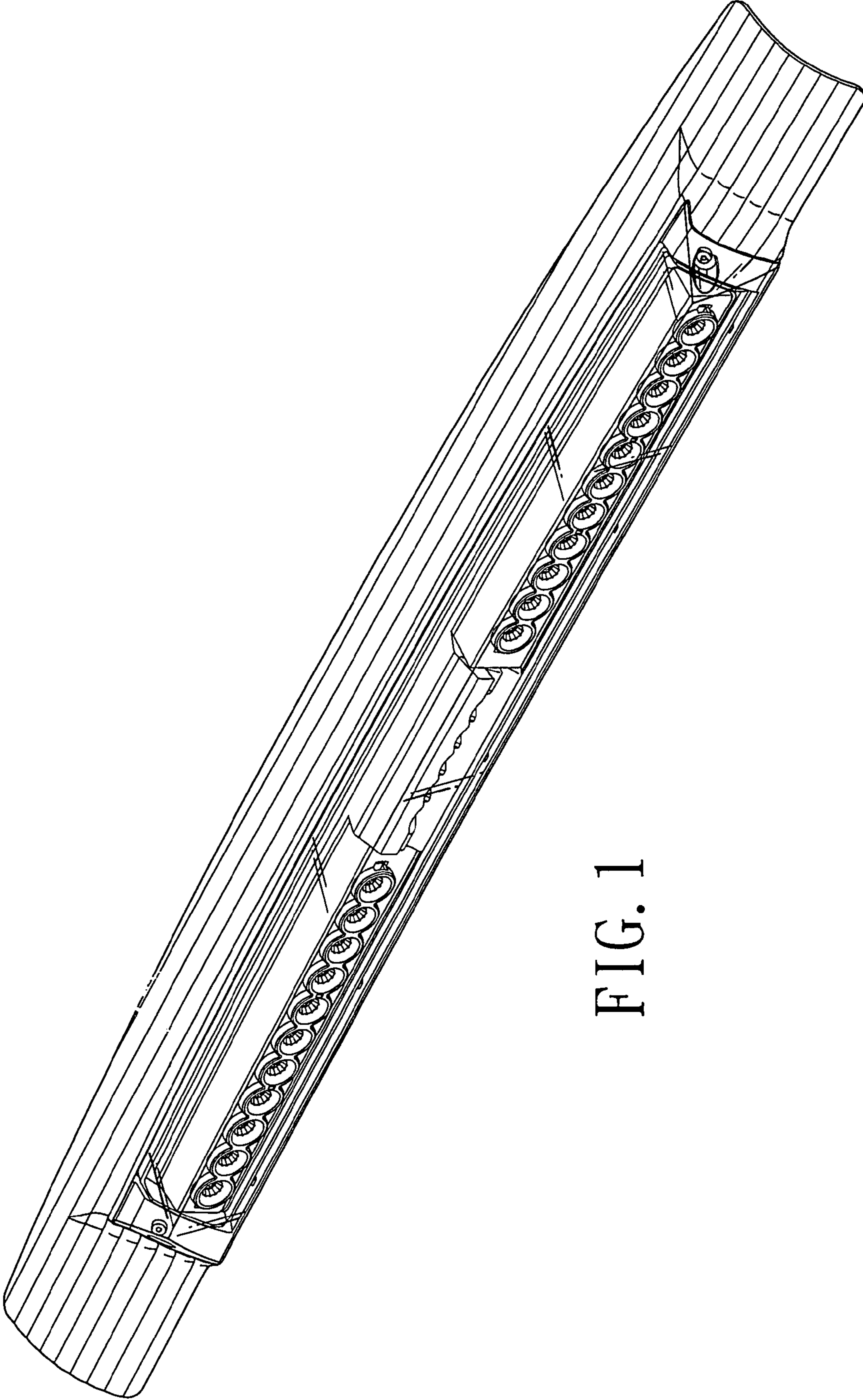


FIG. 1

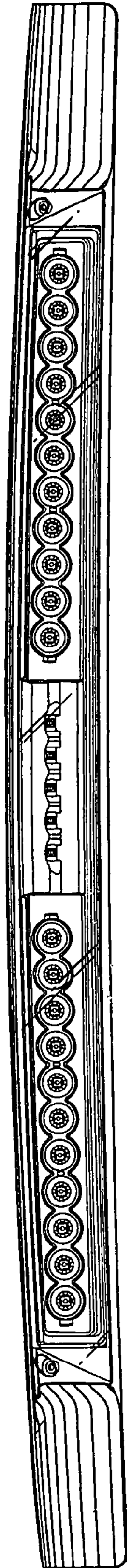


FIG. 2

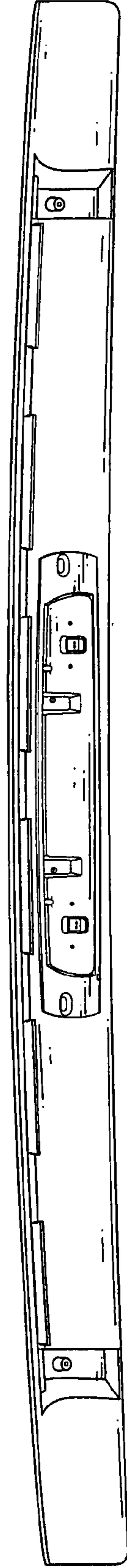


FIG. 3

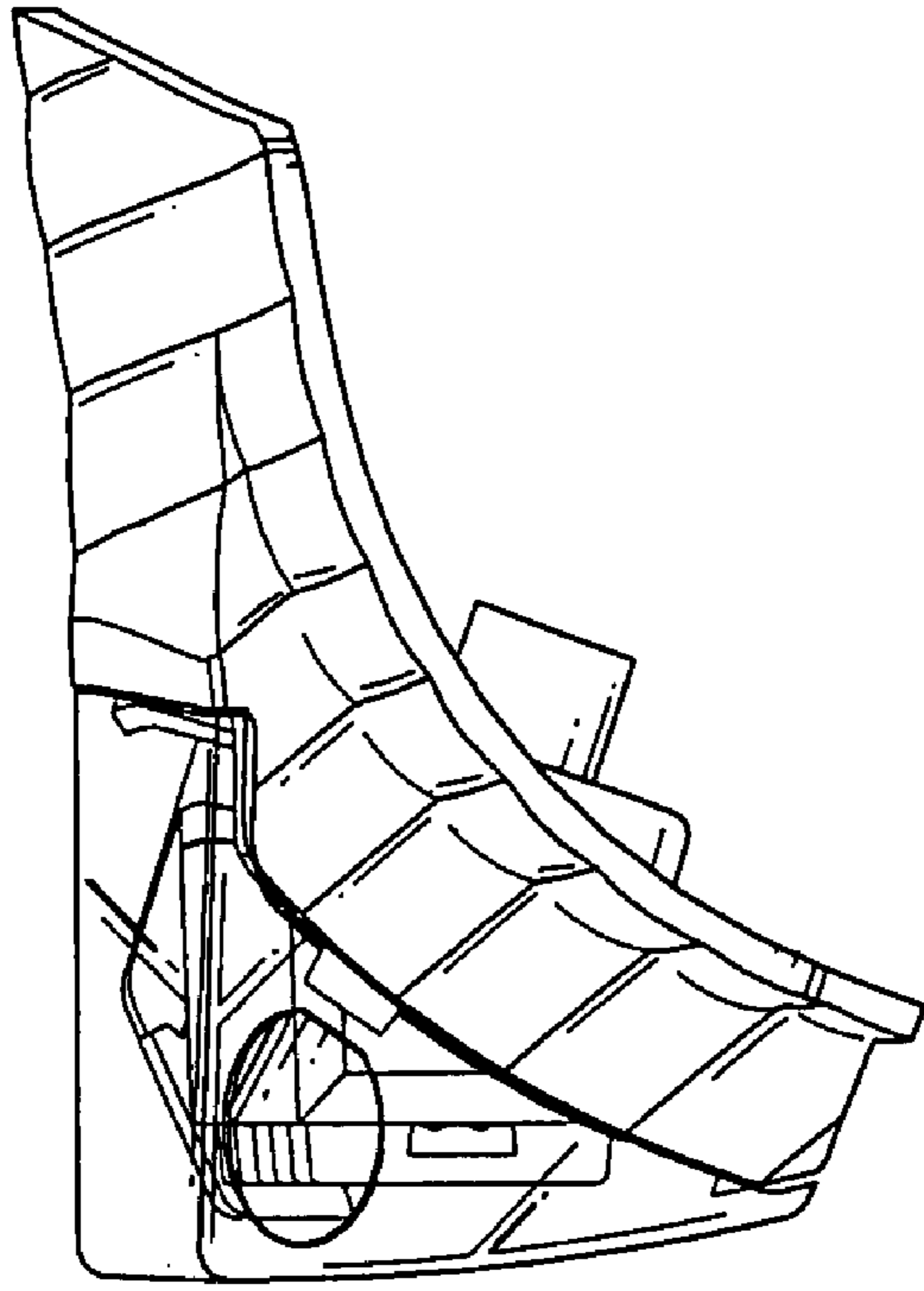


FIG. 4

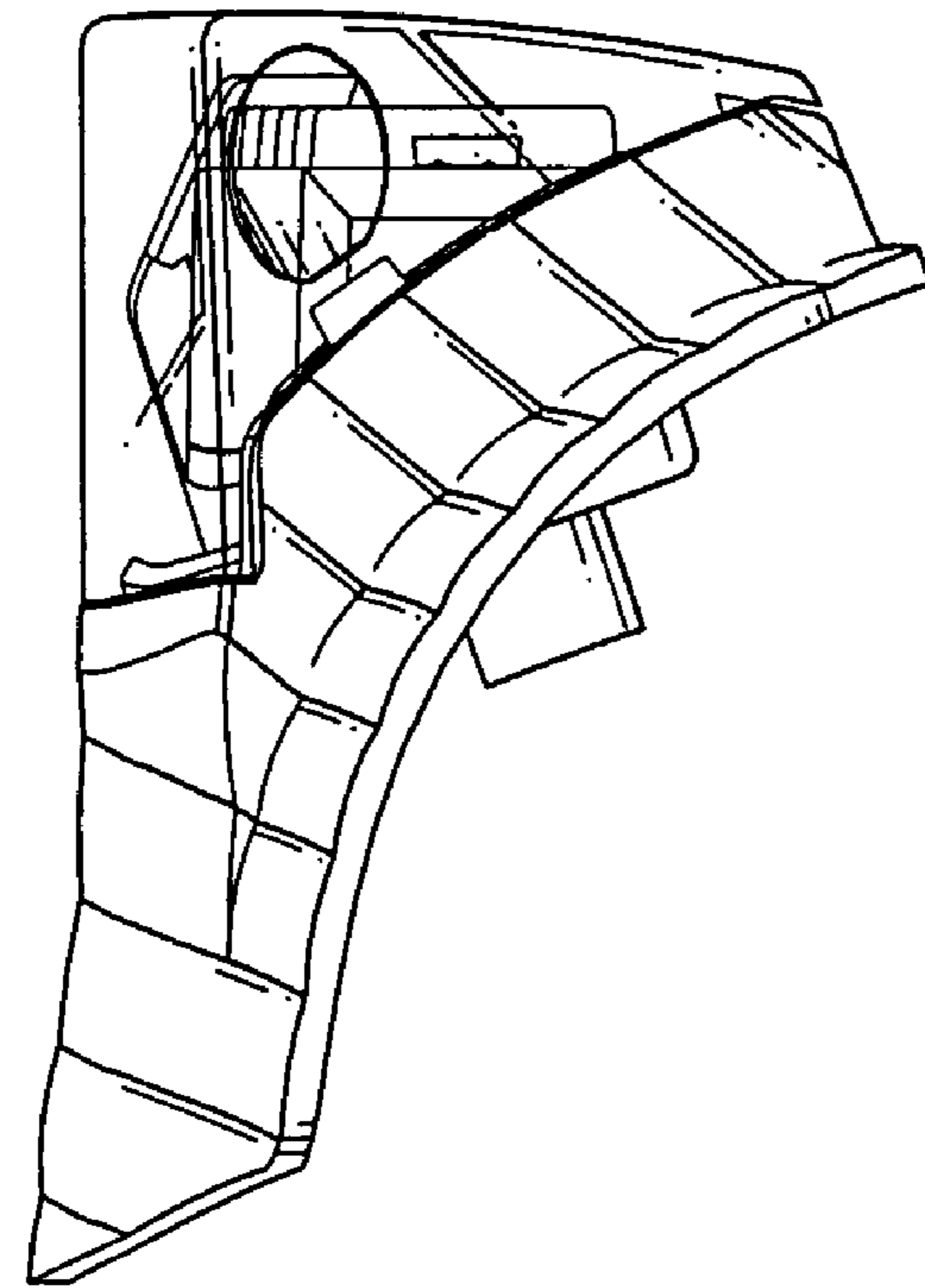


FIG. 5

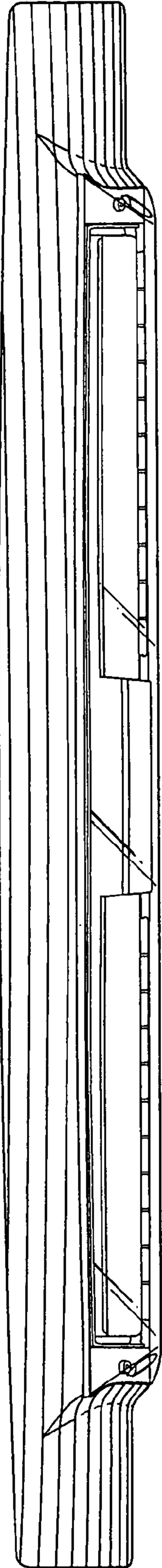


FIG. 6

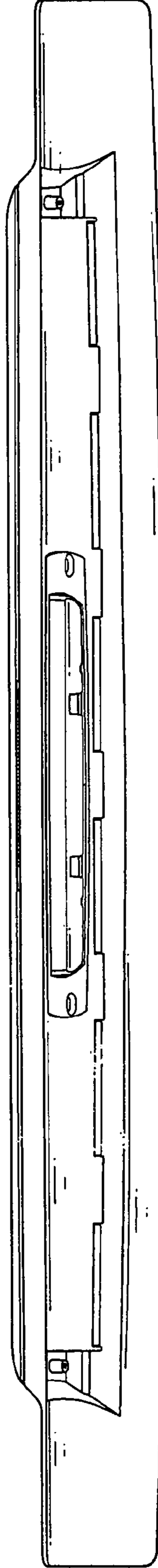


FIG. 7