



US00D556924S

(12) **United States Design Patent** (10) **Patent No.:** **US D556,924 S**  
**Peng** (45) **Date of Patent:** **\*\* Dec. 4, 2007**

(54) **LED LIGHT UNIT**

(76) Inventor: **I-Sin Peng**, No. 410, Sec. 2, Henan Rd., Situn District, Taichung City 407 (TW)

(\*\*) Term: **14 Years**

(21) Appl. No.: **29/268,970**

(22) Filed: **Nov. 17, 2006**

(51) **LOC (8) Cl.** ..... **26-06**

(52) **U.S. Cl.** ..... **D26/28**

(58) **Field of Classification Search** ..... D26/28-36;  
362/459-468, 475-478, 485-487  
See application file for complete search history.

(56) **References Cited**

**U.S. PATENT DOCUMENTS**

D467,021 S	*	12/2002	Ulc	.....	D26/28
D470,970 S	*	2/2003	Huang	.....	D26/123
D496,751 S	*	9/2004	Lin	.....	D26/85
D519,656 S	*	4/2006	Howser	.....	D26/28
D542,950 S	*	5/2007	Rogers et al.	.....	D26/28

\* cited by examiner

*Primary Examiner*—Marcus A. Jackson  
(74) *Attorney, Agent, or Firm*—Troxell Law Office, PLLC

(57) **CLAIM**

I claim the ornamental design for a LED light unit, as shown and described.

**DESCRIPTION**

FIG. 1 is a perspective view of a LED light unit showing my new design;

FIG. 2 is a front elevation view thereof;

FIG. 3 is a rear elevation view thereof;

FIG. 4 is a left side view thereof;

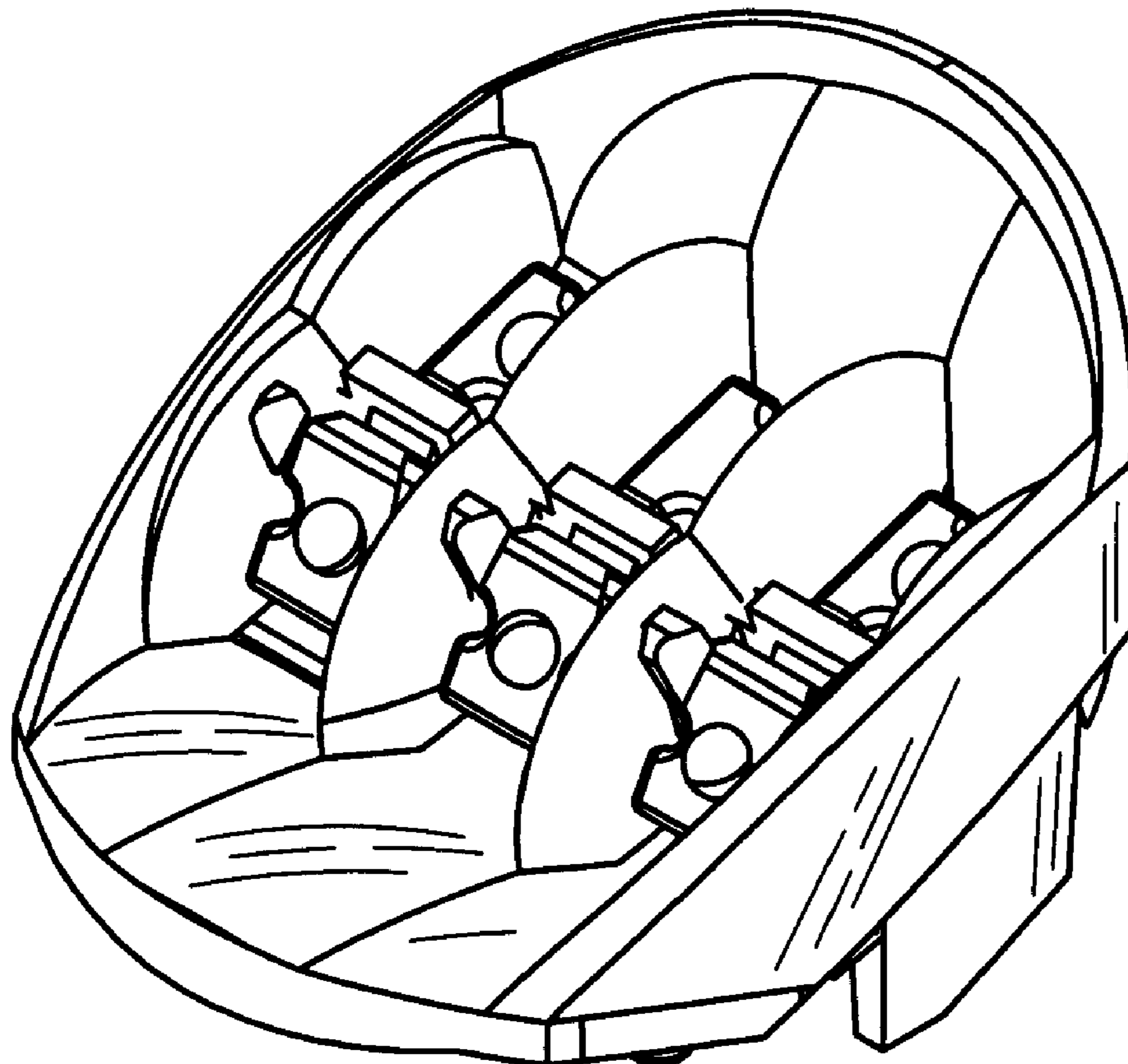
FIG. 5 is a right side view thereof;

FIG. 6 is a top plan view thereof;

FIG. 7 is a bottom plan view thereof; and,

FIG. 8 shows one application of the present invention, where those indicated by broken lines are not claimed in the present invention.

**1 Claim, 5 Drawing Sheets**



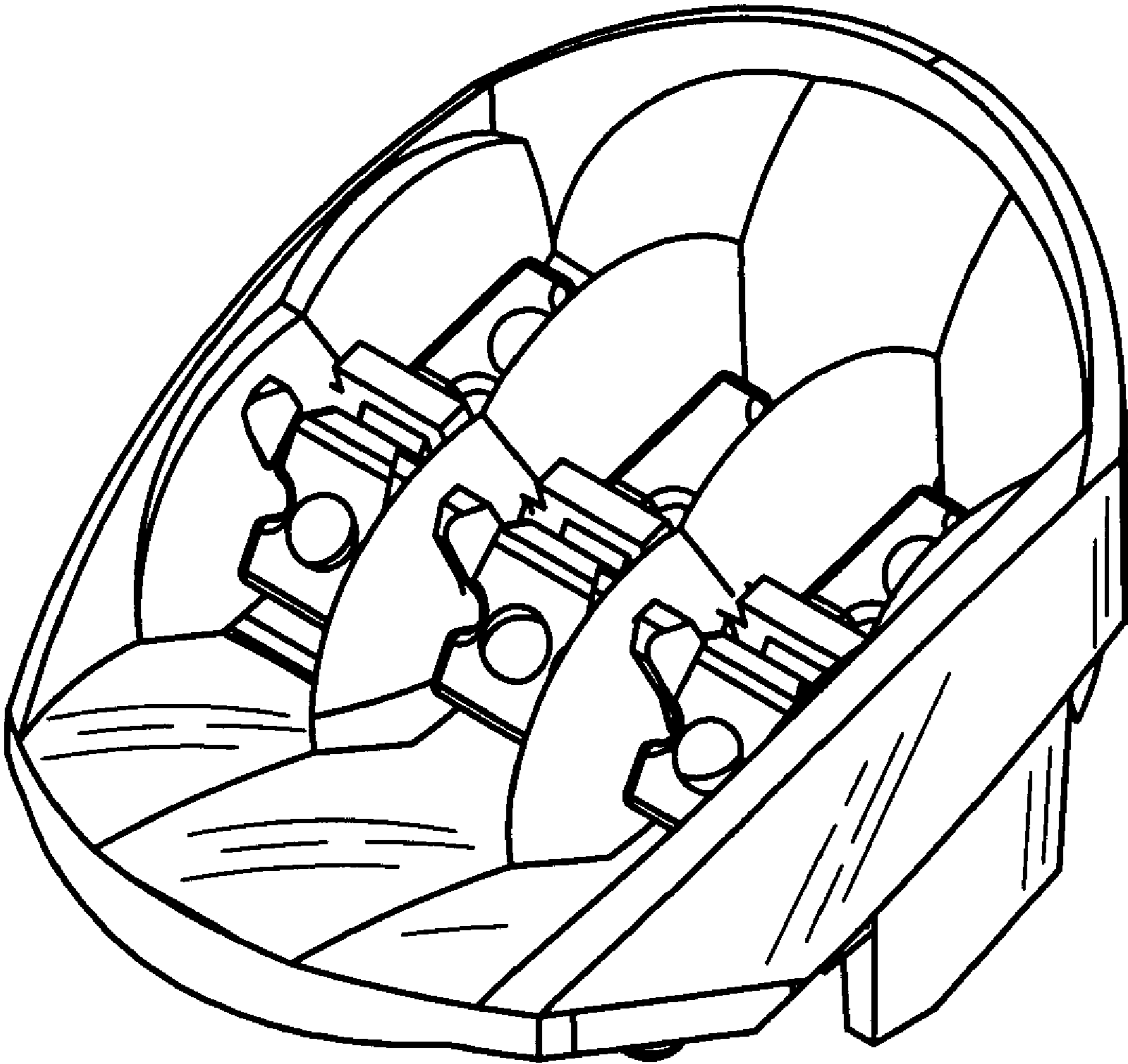


Fig. 1

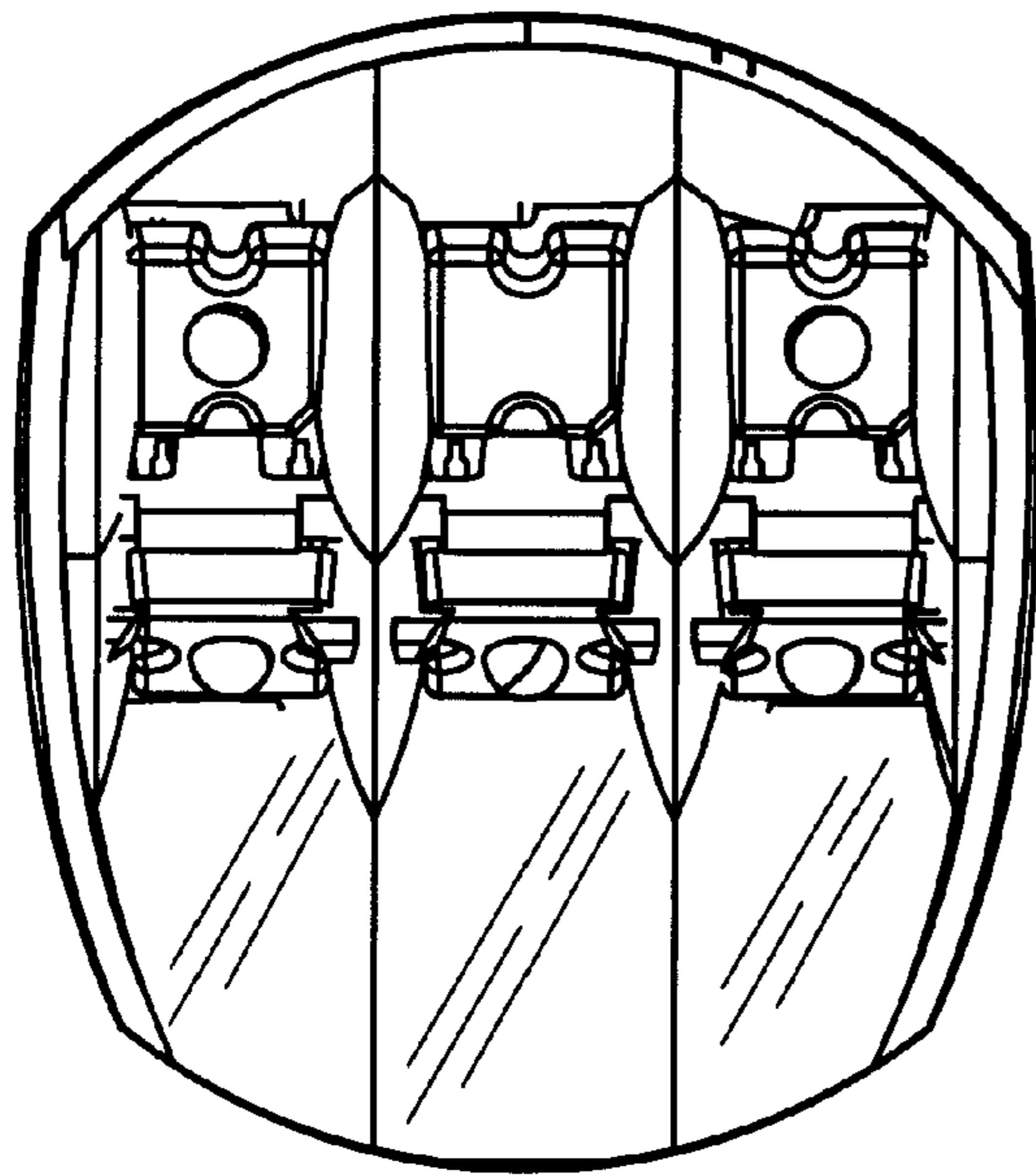


Fig. 2

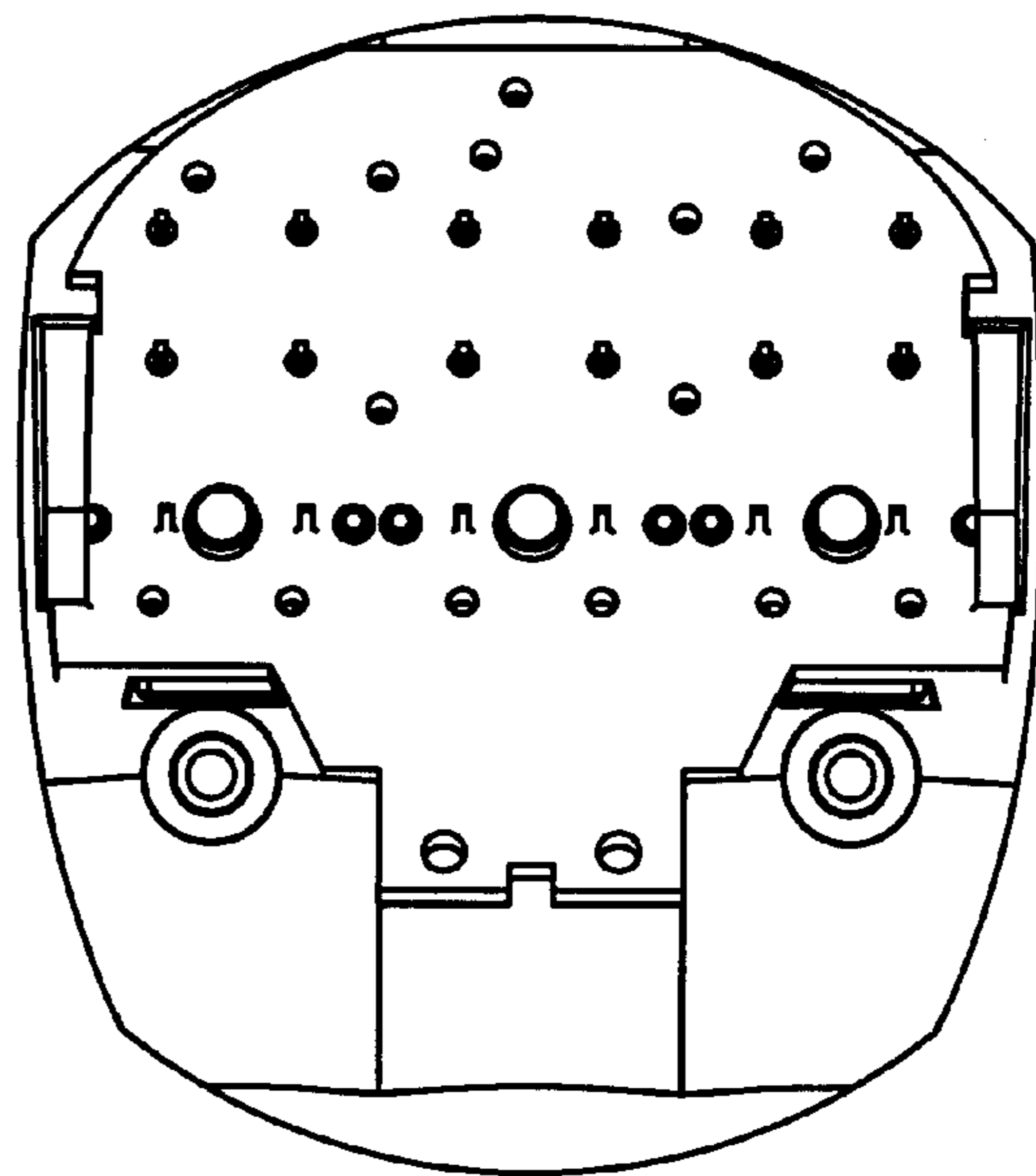


Fig. 3

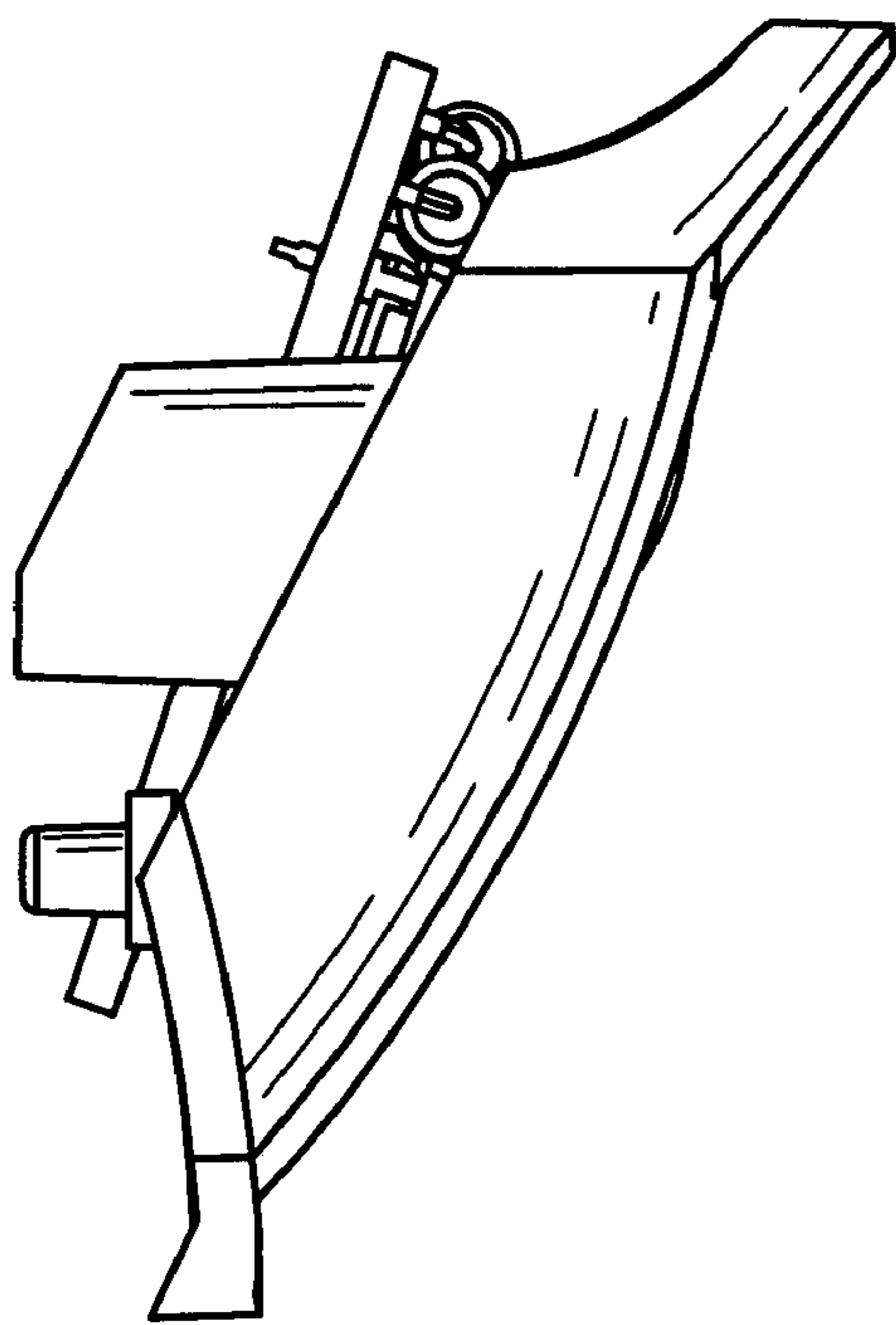


Fig. 4

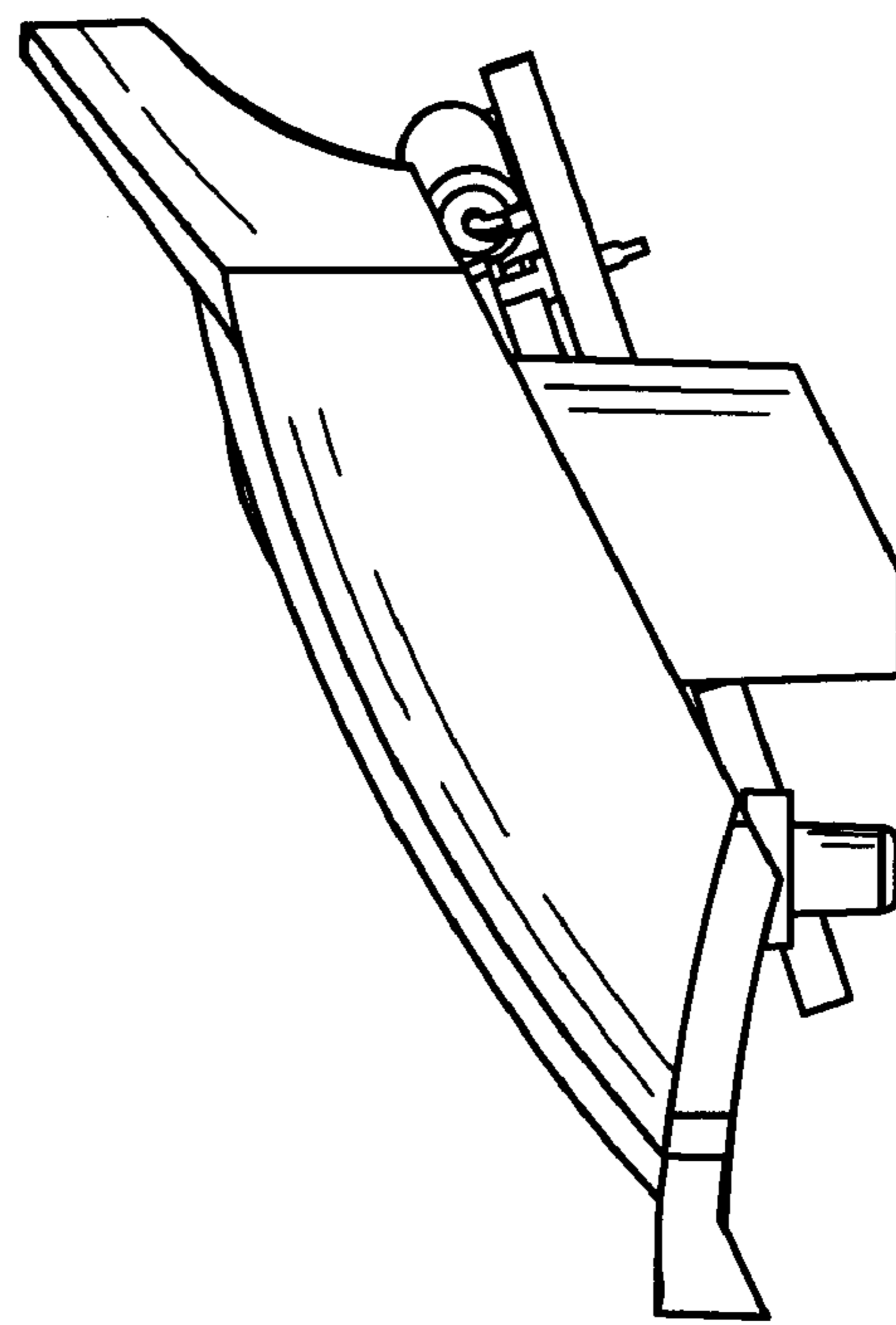


Fig. 5

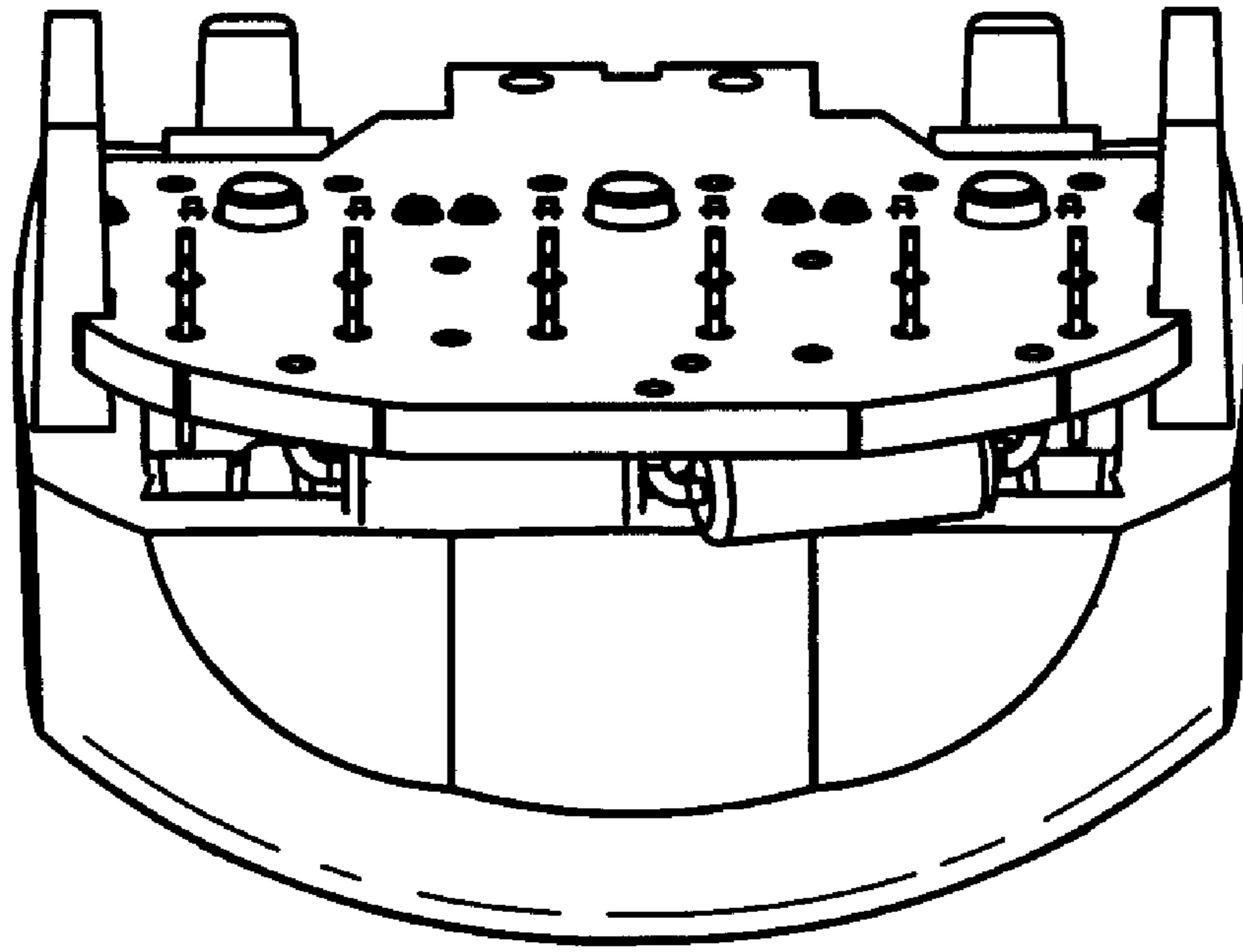


Fig. 6

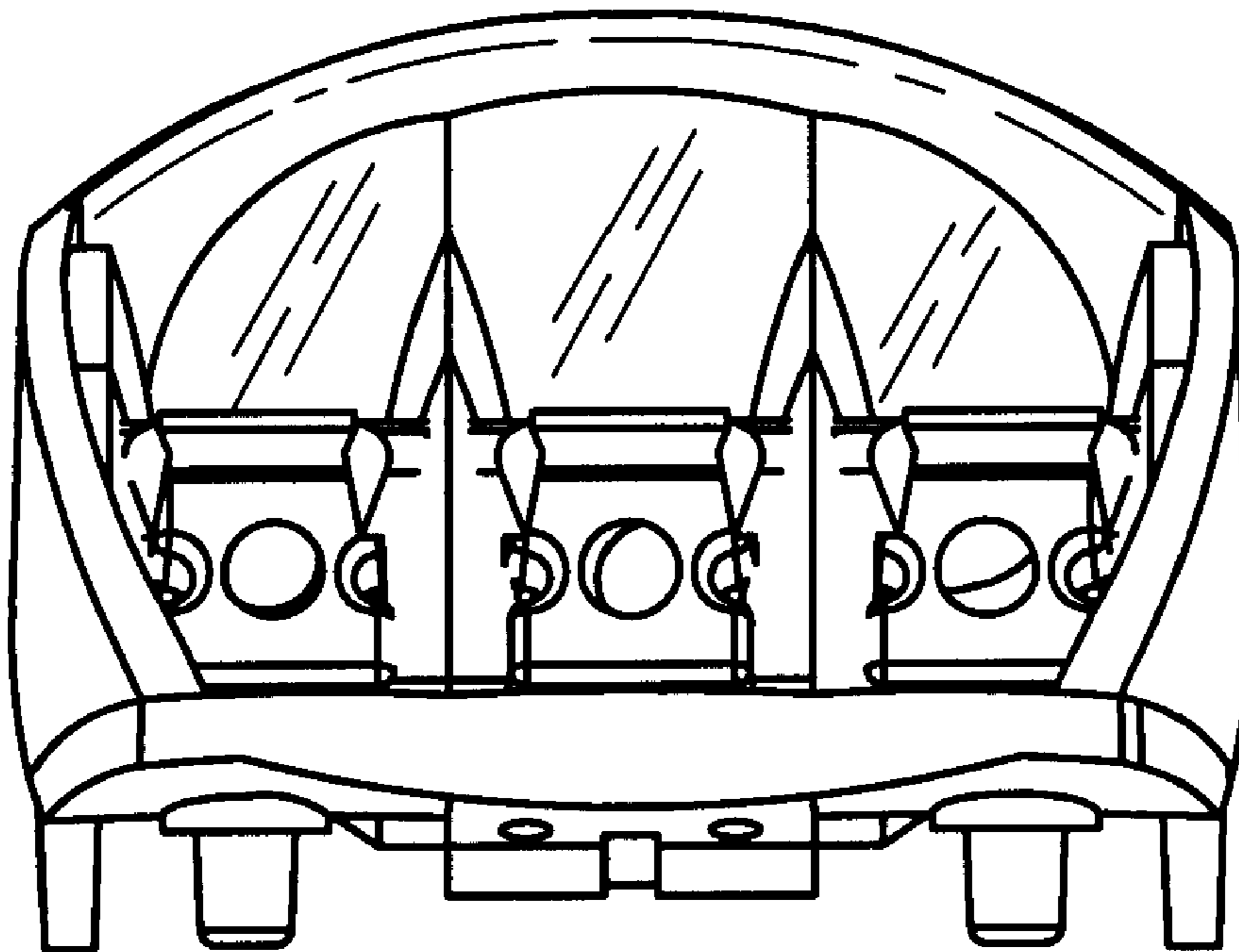


Fig. 7

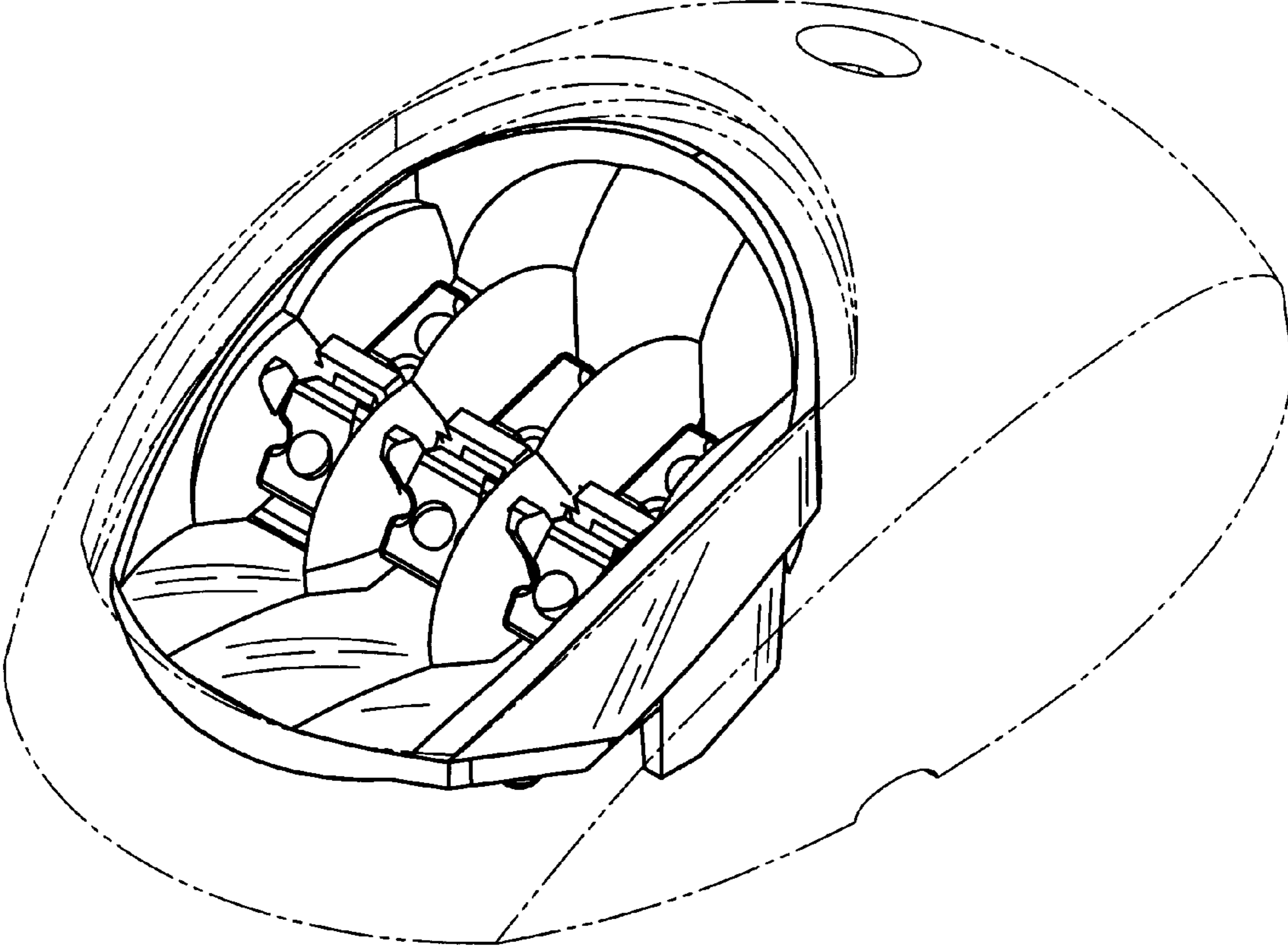


Fig. 8