



US00D556923S

(12) **United States Design Patent** (10) **Patent No.:** **US D556,923 S**
Kume et al. (45) **Date of Patent:** **** Dec. 4, 2007**

(54) **HEADLIGHT CASE FOR MOTOR SCOOTER**

(74) *Attorney, Agent, or Firm*—Birch, Stewart, Kolasch & Birch, LLP

(75) Inventors: **Yasuo Kume**, Wako (JP); **Yuji Watanuki**, Wako (JP); **Yasushi Tateishi**, Wako (JP)

(57) **CLAIM**

(73) Assignee: **Honda Motor Co., Ltd.**, Tokyo (JP)

The ornamental design for a headlight case for motor scooter, as shown and described.

(**) Term: **14 Years**

DESCRIPTION

(21) Appl. No.: **29/253,260**

FIG. 1 is a perspective view of the top front and right side of a headlight case for motor scooter showing our new design;

(22) Filed: **Feb. 3, 2006**

FIG. 2 is a perspective view of the top, front and left side thereof;

(30) **Foreign Application Priority Data**

Aug. 3, 2005 (JP) 2005-022515

FIG. 3 is a perspective view of the bottom, front and left side thereof;

(51) **LOC (8) Cl.** **26-06**

(52) **U.S. Cl.** **D26/28**

(58) **Field of Classification Search** D26/28-36;
362/459-468, 475-478, 485-487

FIG. 4 is a perspective view of the top, rear and left side thereof;

See application file for complete search history.

FIG. 5 is a right side elevational view thereof;

FIG. 6 is a left side elevational view thereof;

(56) **References Cited**

U.S. PATENT DOCUMENTS

D423,126 S *	4/2000	Doss	D26/28
D461,273 S *	8/2002	Ojstrsek et al.	D26/139
D483,887 S *	12/2003	Hoshino	D26/28
D513,333 S *	12/2005	Okuda et al.	D26/28
D515,227 S *	2/2006	Idei et al.	D26/28
D529,639 S *	10/2006	Okuda	D26/28
D540,966 S *	4/2007	Ueda et al.	D26/28

FIG. 7 is a front elevational view thereof;

FIG. 8 is a rear elevational view thereof;

FIG. 9 is a top plan view thereof;

FIG. 10 is a bottom plan view thereof;

FIG. 11 is a view of FIG. 6 with section lines thereon;

FIG. 12 is an end view thereof taken along line 12—12 in FIG. 11; and,

FIG. 13 is an end view thereof taken along line 13—13 in FIG. 11.

* cited by examiner

Primary Examiner—Marcus A. Jackson

1 Claim, 13 Drawing Sheets

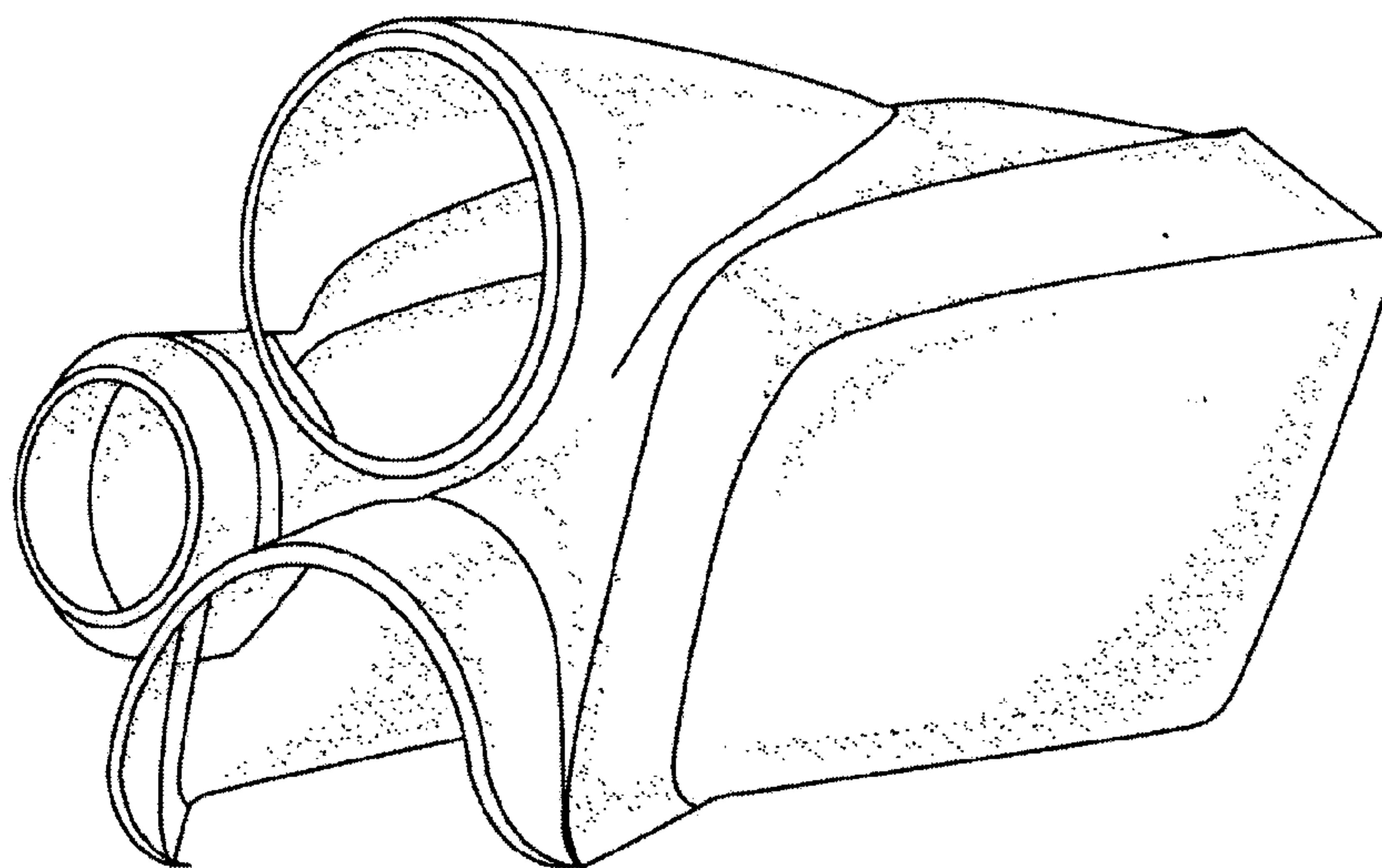


FIG. 1

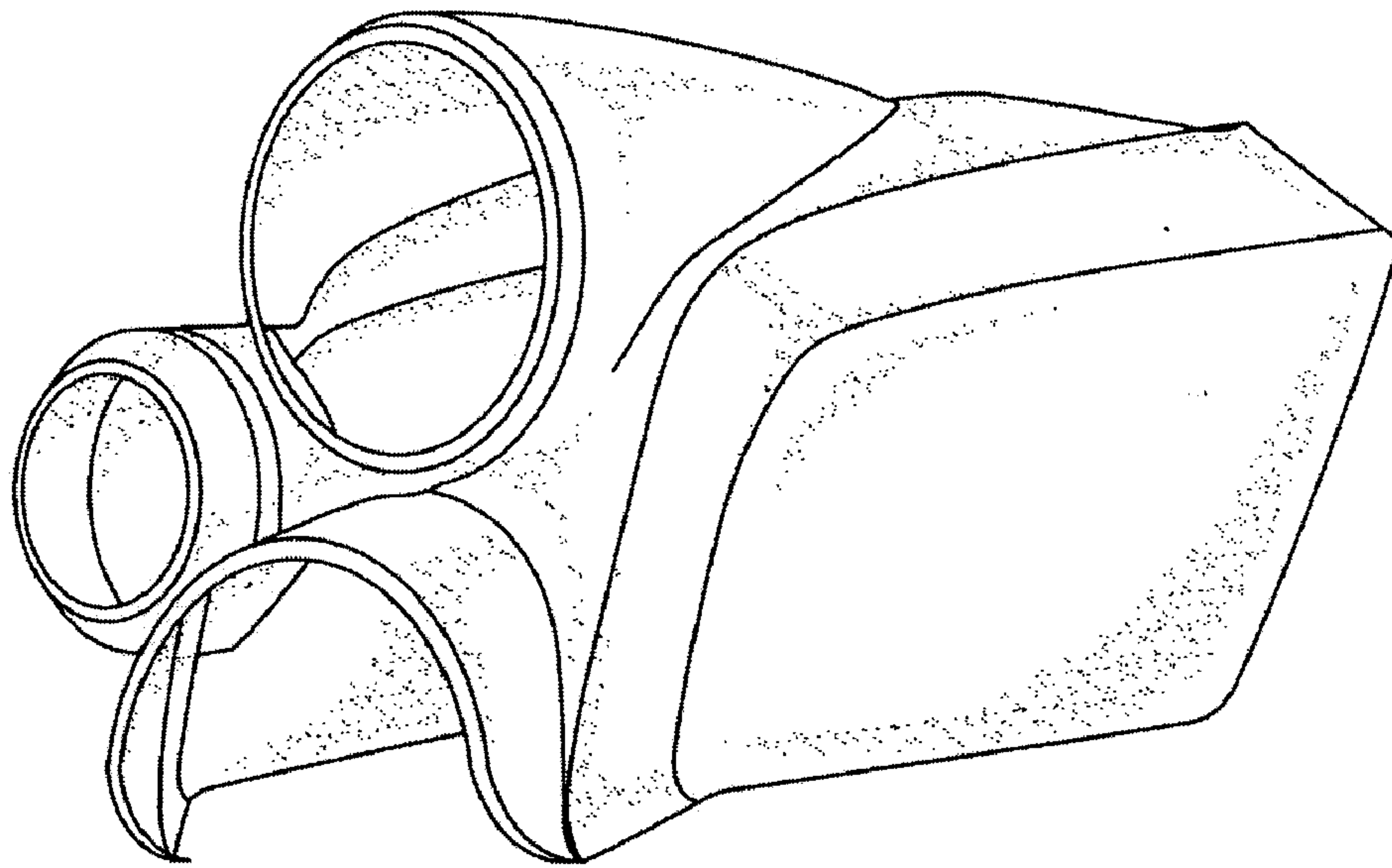


FIG. 2

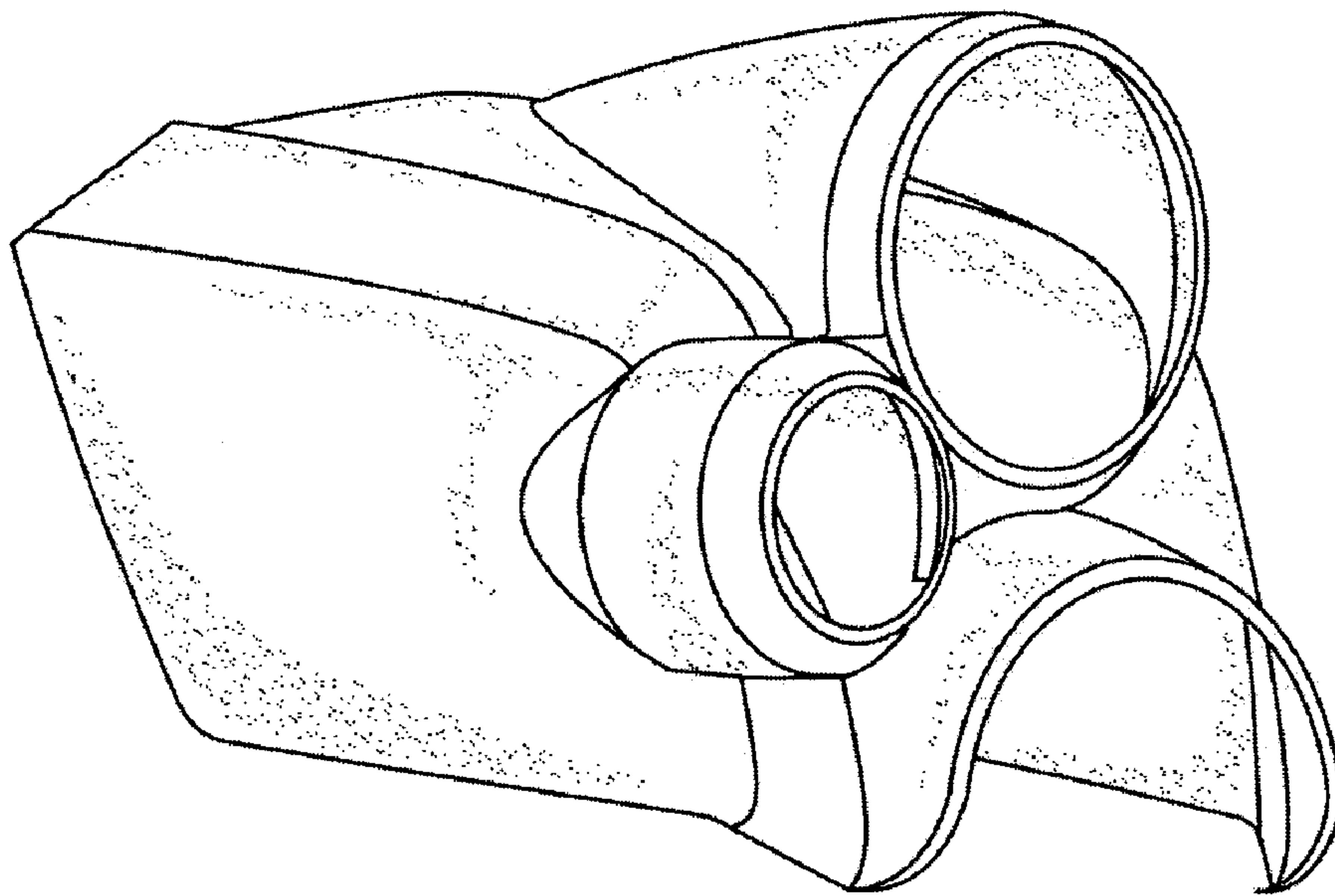


FIG. 3

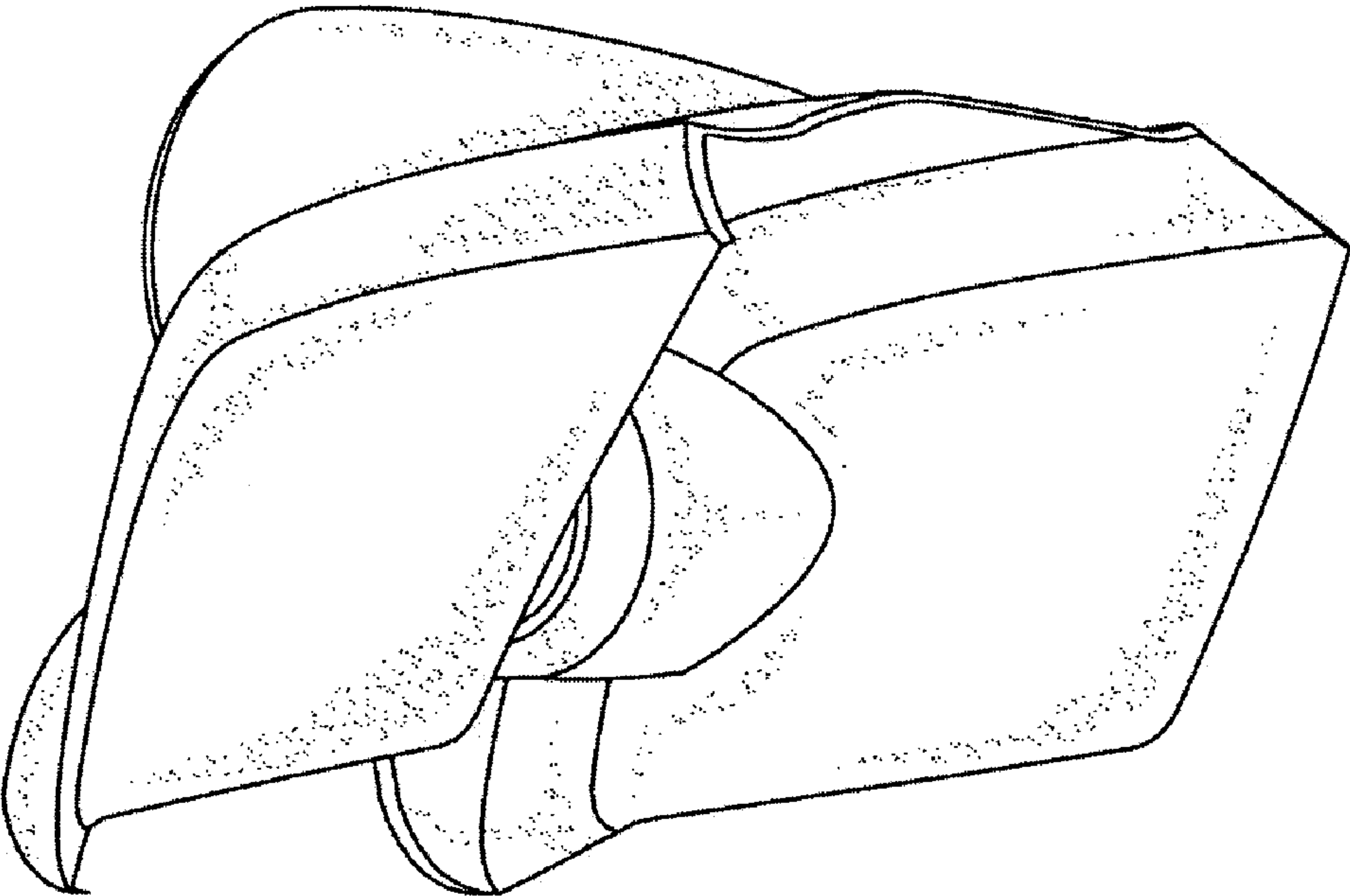


FIG. 4

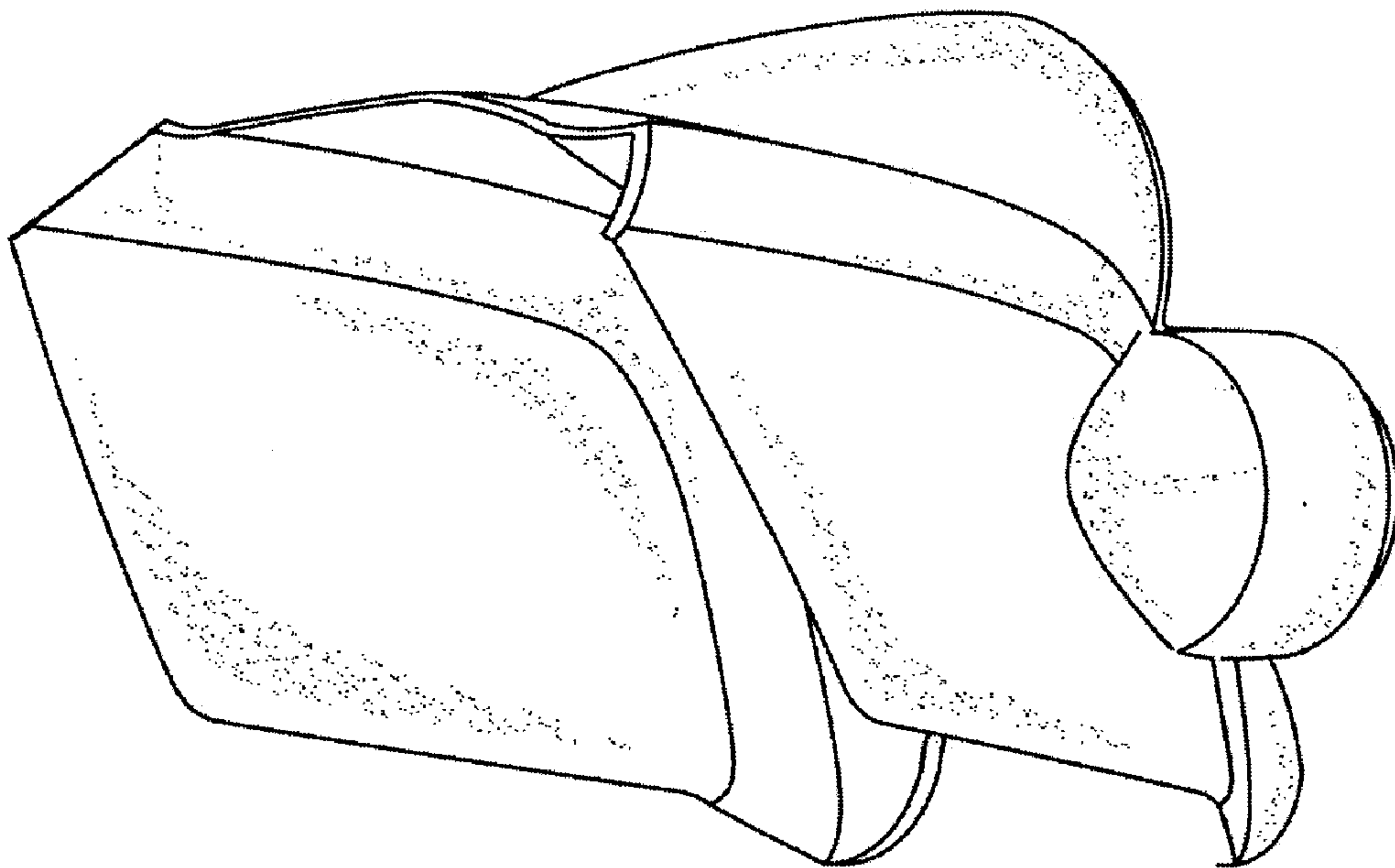


FIG. 5

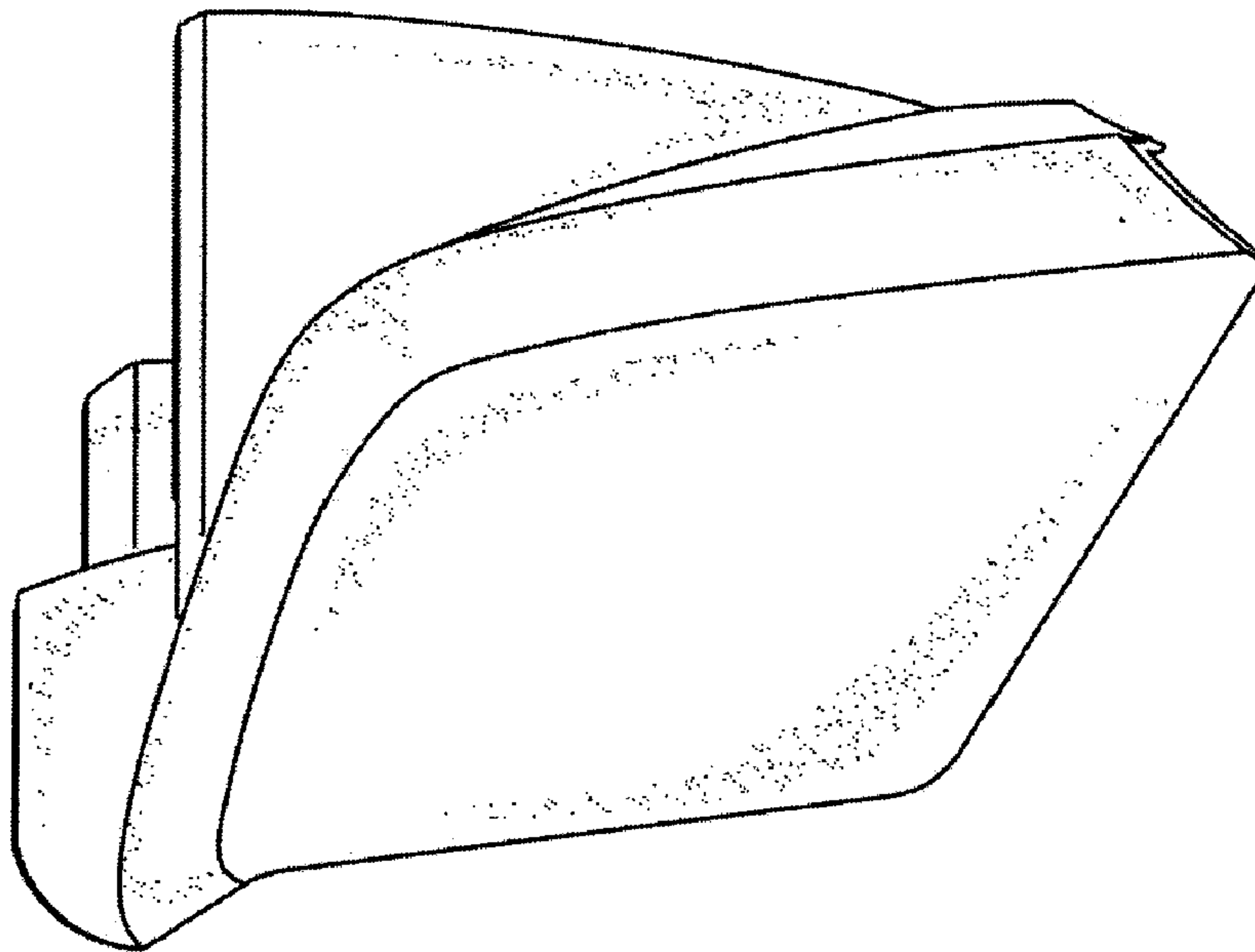


FIG. 6

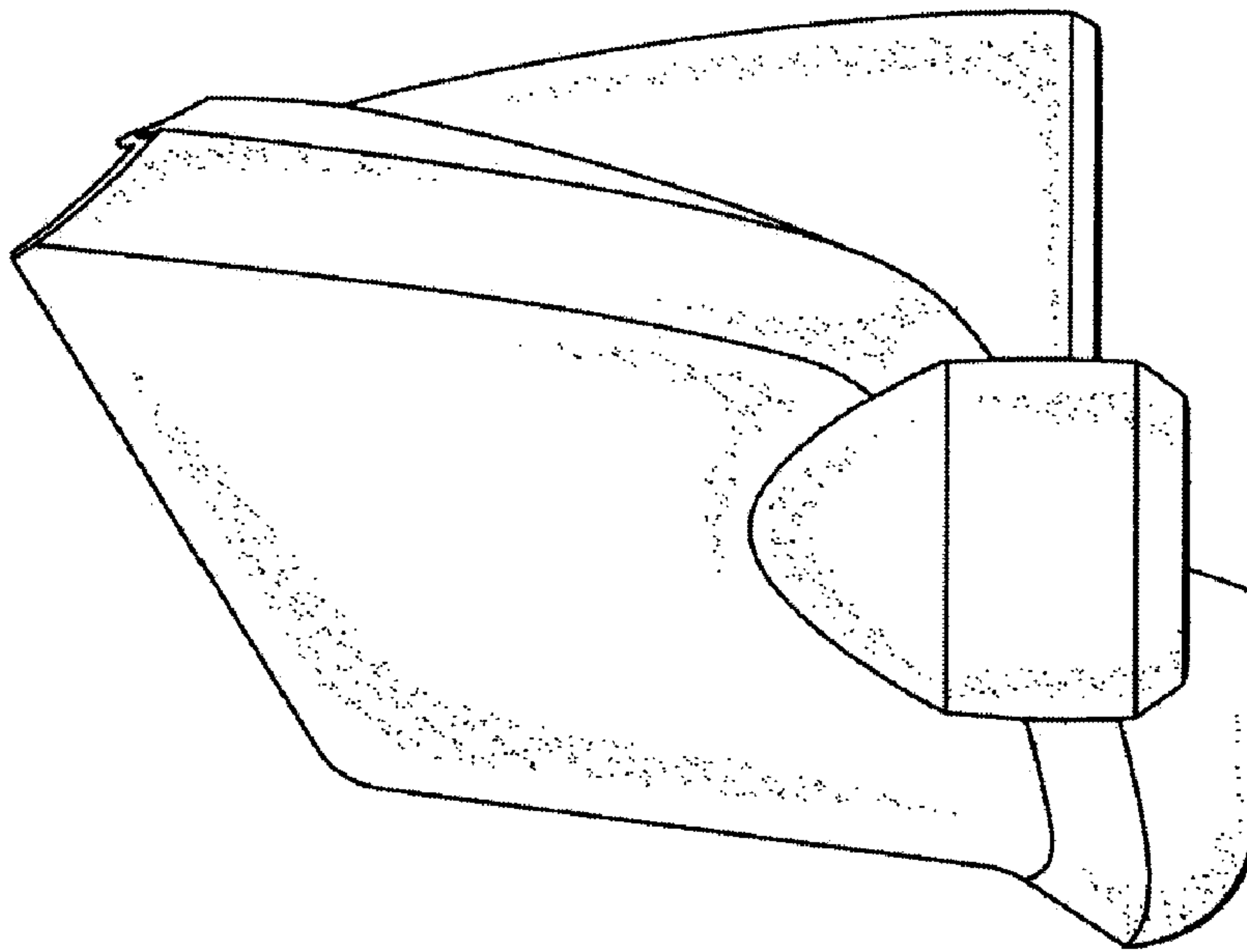


FIG. 7

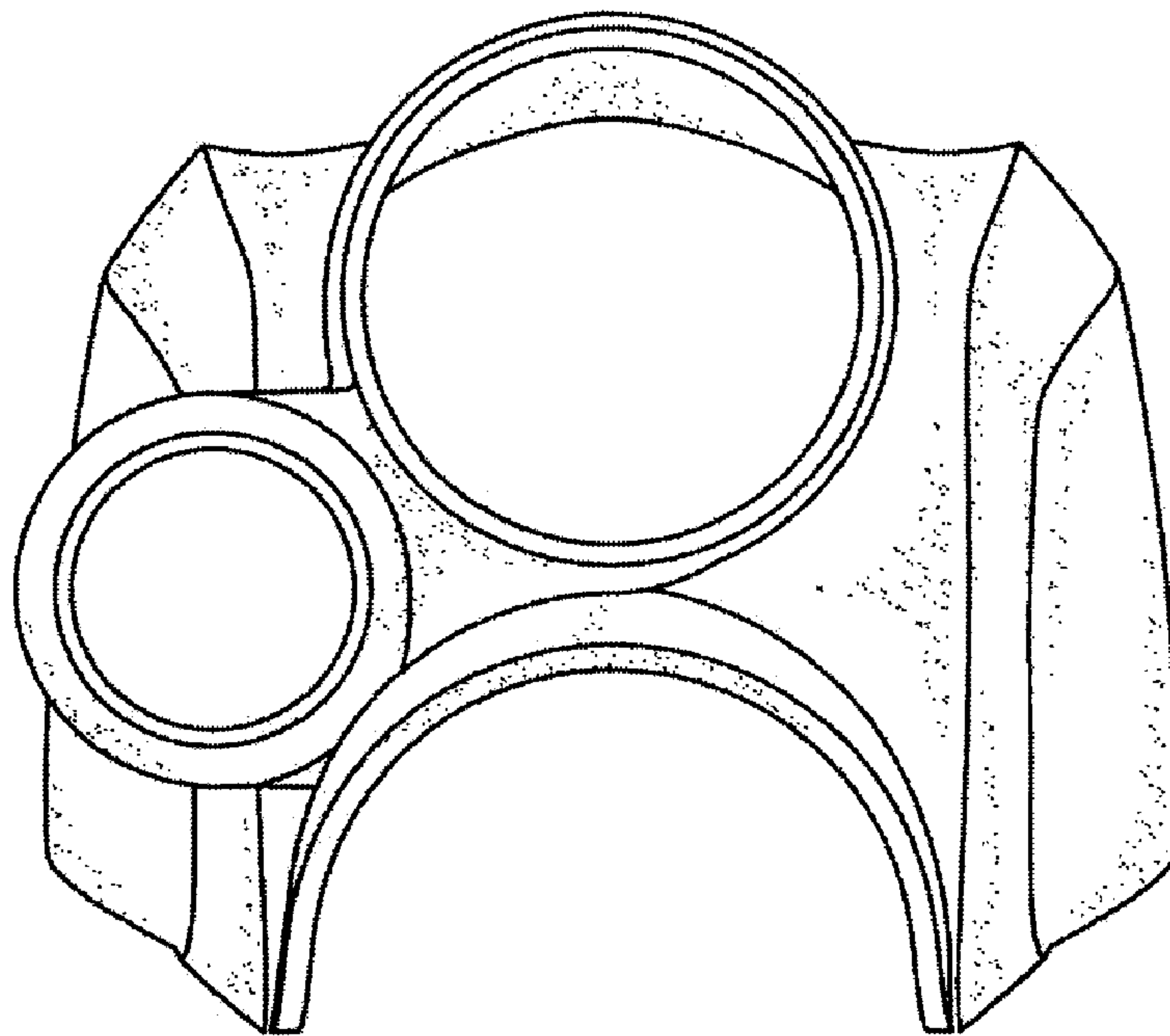


FIG. 8

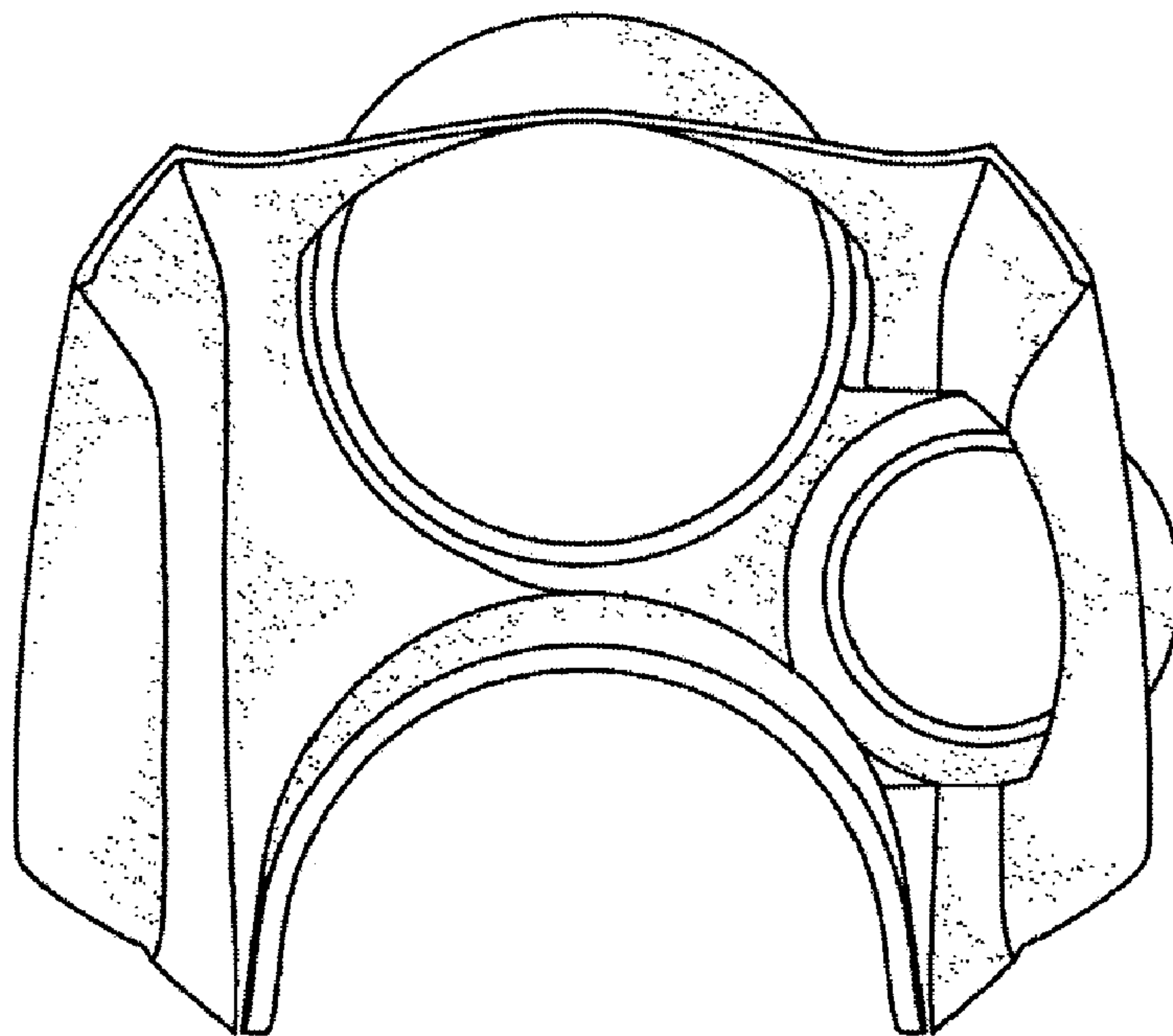


FIG. 9

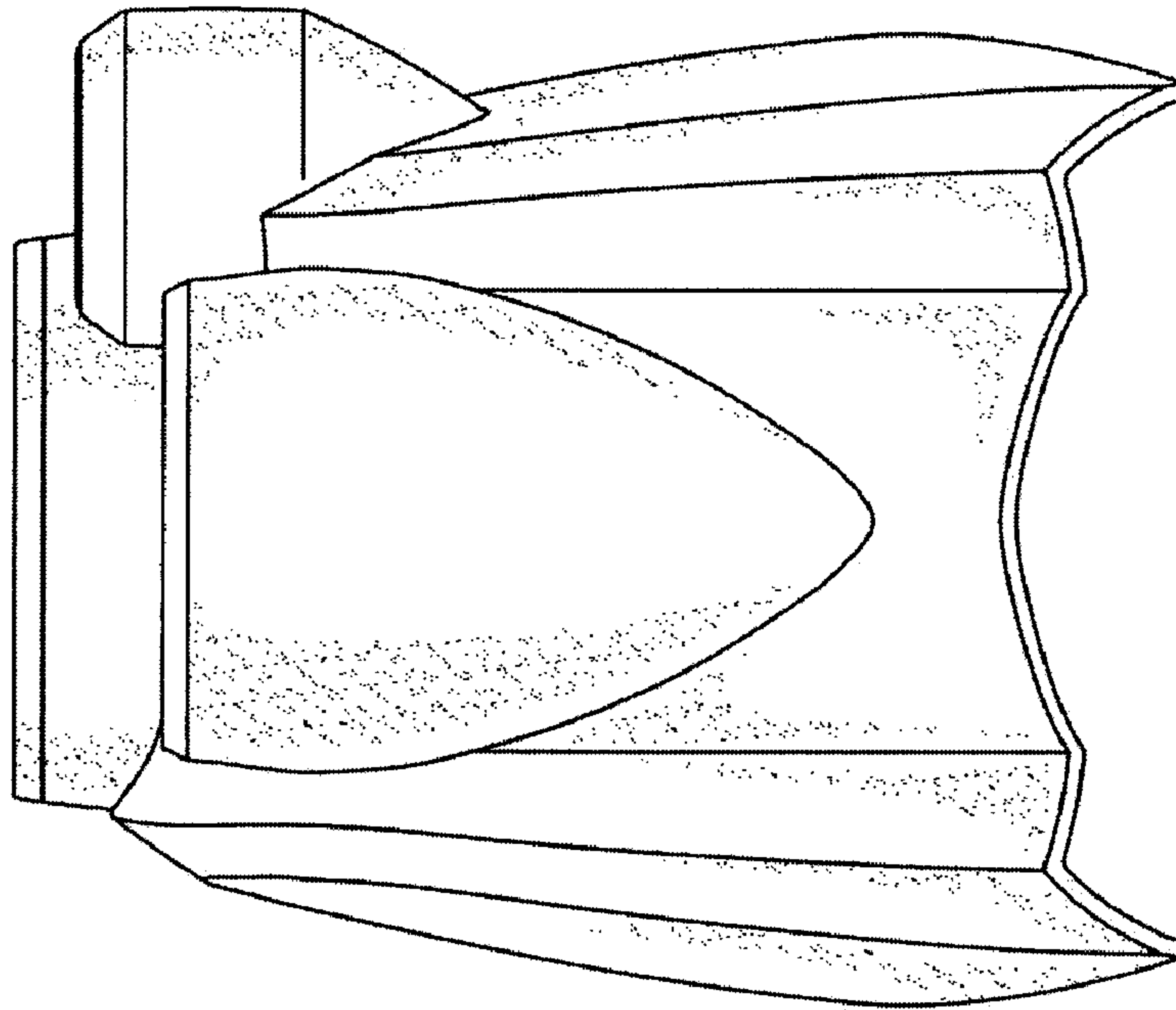


FIG. 10

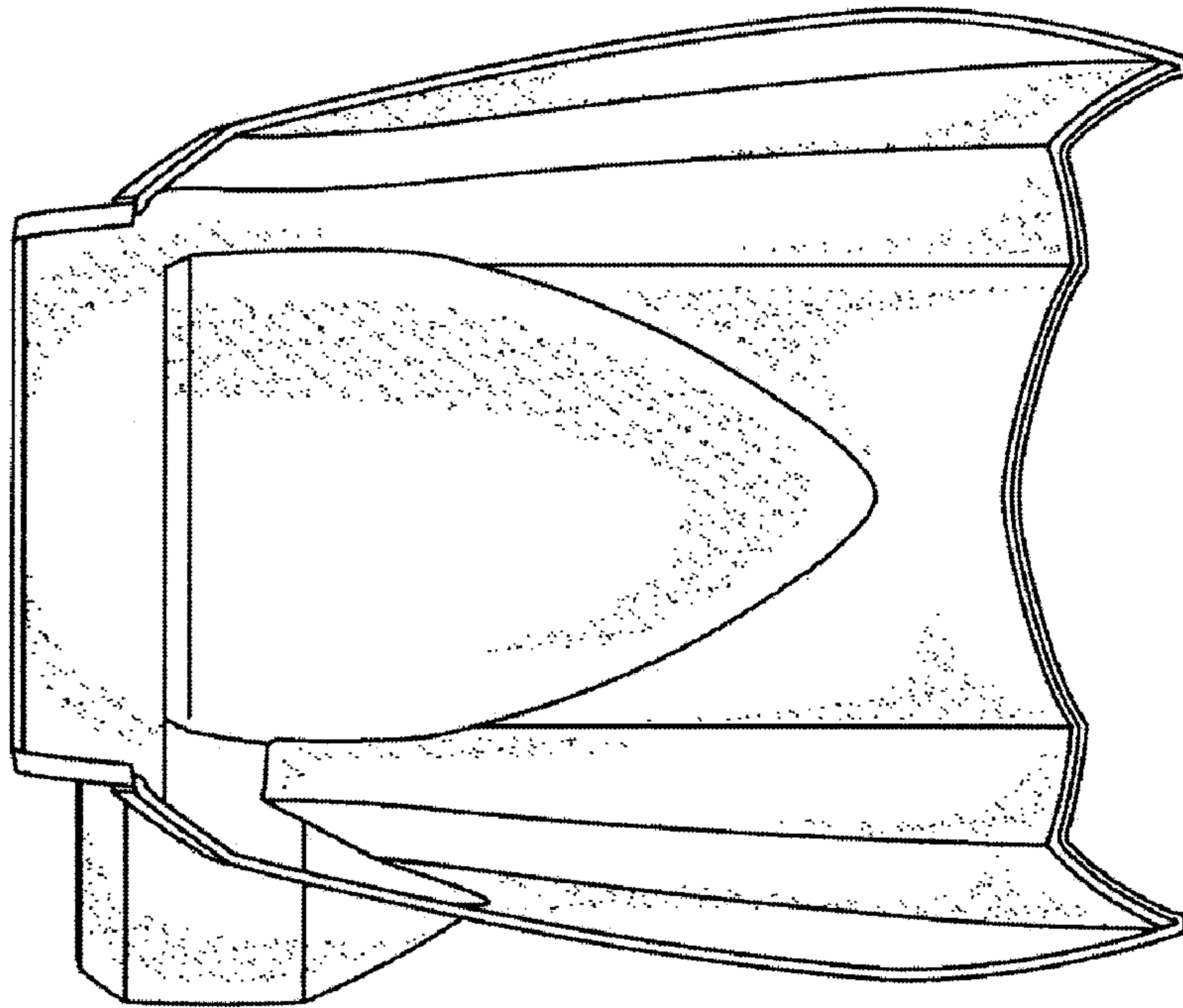


FIG. 11

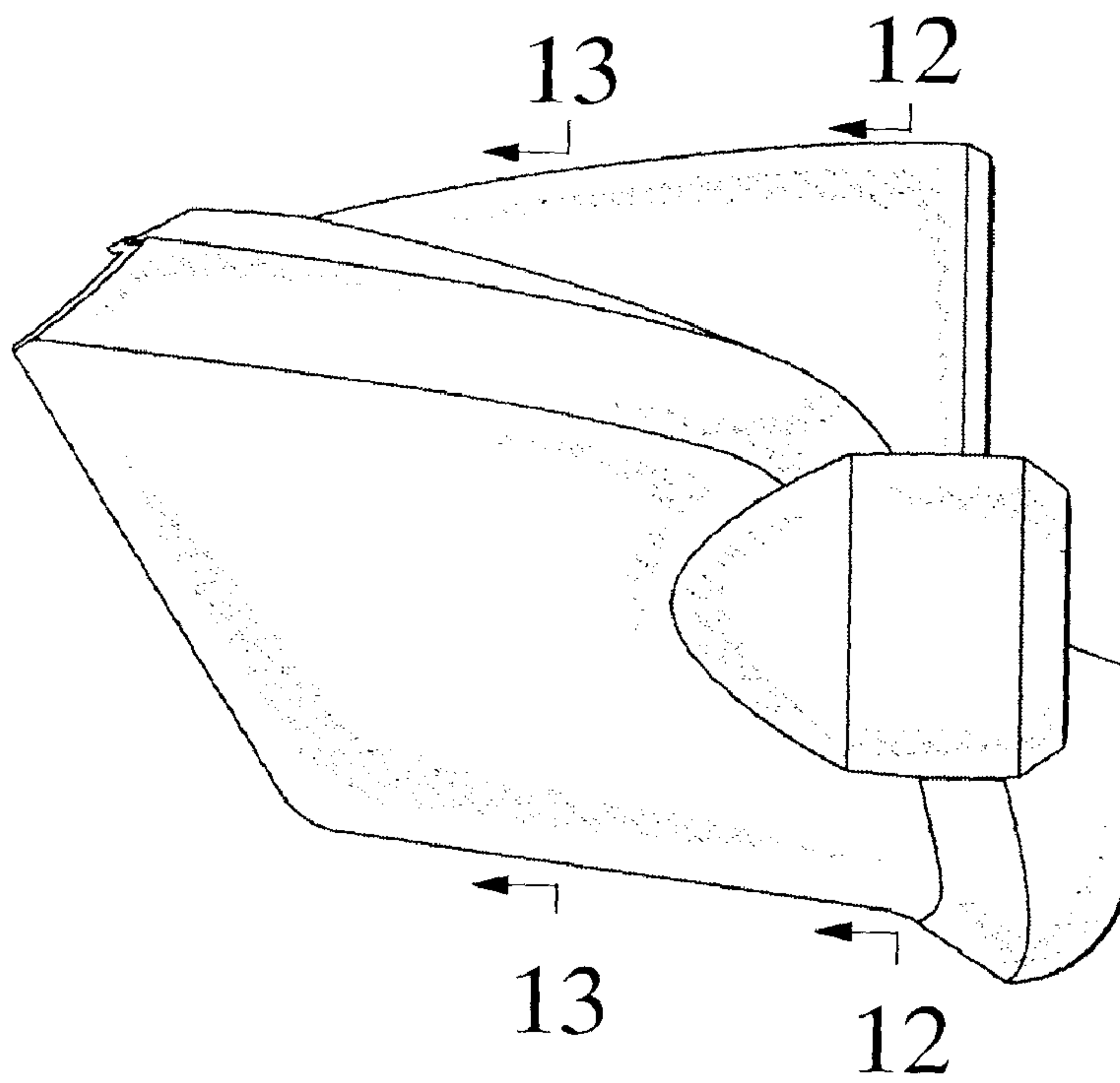


FIG. 12

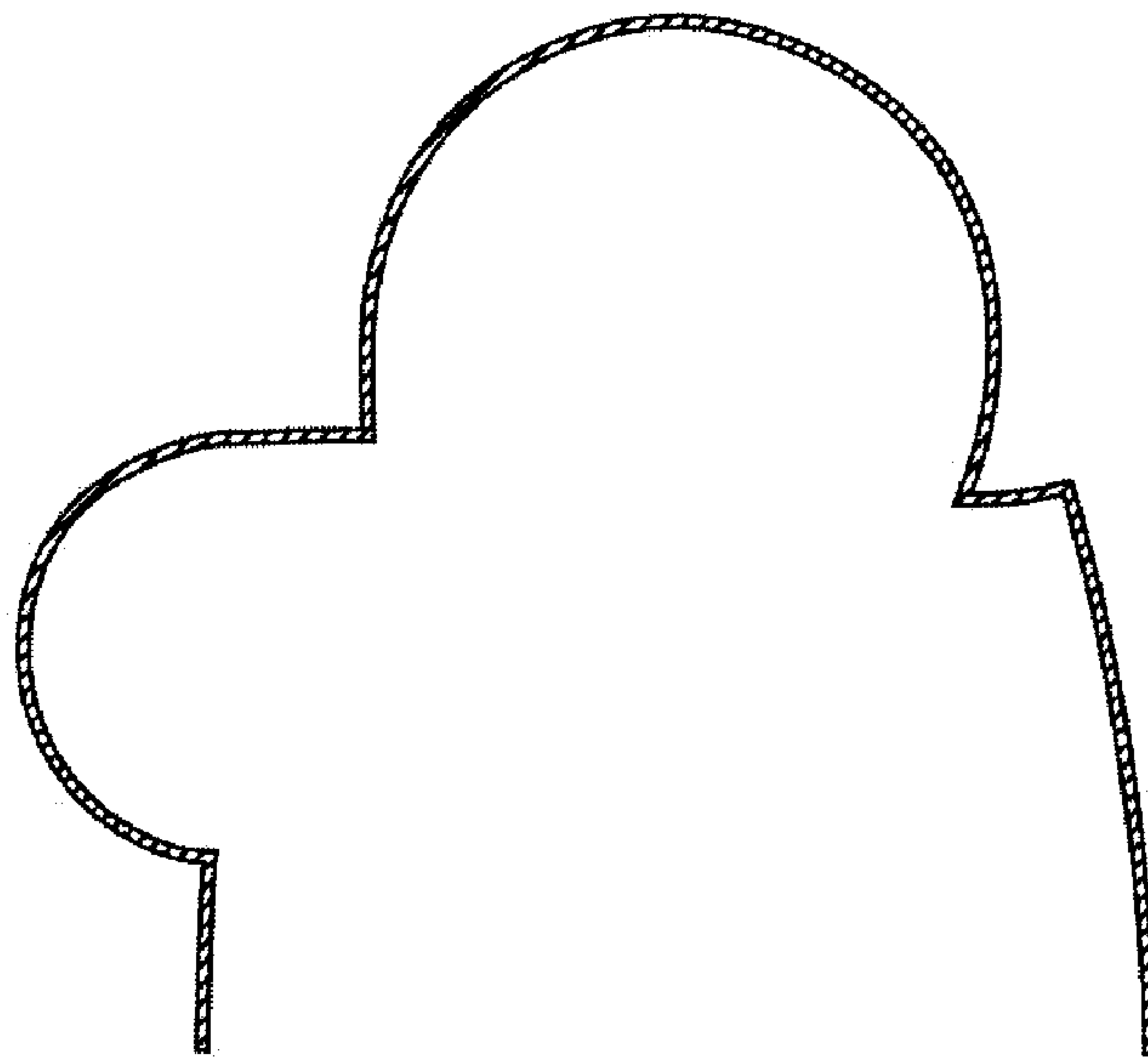


FIG. 13

