



US00D556921S

(12) **United States Design Patent** (10) **Patent No.:** **US D556,921 S**
Ardern (45) **Date of Patent:** **** Dec. 4, 2007**

(54) **SURFACE COVERING TILE**

(76) Inventor: **Fergus Johnathan Ardern**, Newlands,
9 School Lane, Norwich (GB) NR7
OEP

(**) Term: **14 Years**

(21) Appl. No.: **29/252,123**

(22) Filed: **Jan. 19, 2006**

(30) **Foreign Application Priority Data**

Jul. 21, 2005 (GB) 0514957.0
Sep. 1, 2005 (GB) 000393160

(51) **LOC (8) Cl.** **25-01**

(52) **U.S. Cl.** **D25/163**

(58) **Field of Classification Search** D25/138,
D25/163, 157, 152, 153; 404/19, 20, 21,
404/42; 52/311.2, 314, 316

See application file for complete search history.

(56) **References Cited**

U.S. PATENT DOCUMENTS

3,500,606	A	3/1970	Wharmby	52/589
4,223,890	A *	9/1980	Schoen	273/157 R
4,289,818	A	9/1981	Casamayor	428/43
4,373,306	A	2/1983	Rech	52/98
5,713,173	A *	2/1998	Von Langsdorff et al.	..	52/311.2
5,836,125	A	11/1998	Regina	52/306
6,089,784	A	7/2000	Ardern	404/41
D462,130	S *	8/2002	Kotler	D25/163
D465,857	S	11/2002	Ardern	D25/138
D493,897	S *	8/2004	Campacci	D25/163
2005/0072094	A1	4/2005	Ardern	52/574

FOREIGN PATENT DOCUMENTS

CH	540398	9/1973
CH	666708	8/1988
DE	1509841	6/1969
DE	8520182	12/1986
DE	8632856	3/1987
DE	9421260	9/1995
EP	0013896	1/1980
EP	0176645	10/1984
EP	0286395	4/1988

FR	2240320	3/1975
FR	2536150	5/1984
FR	2559177	8/1985
FR	2733282	10/1996
GB	320657	10/1929
GB	1212983	11/1970
GB	1445617	8/1976
GB	2101174	1/1983
JP	4-110326	10/1992
WO	91/13208	9/1991
WO	97/18353	5/1997

OTHER PUBLICATIONS

U.S. Appl. No. 29/203,456, filed Apr. 14, 2004, entitled "Constructional or Ground Covering Panel" (Ardern), allowed Jan. 10, 2006.

* cited by examiner

Primary Examiner—Doris Clark

(74) *Attorney, Agent, or Firm*—Synnestvedt & Lechner LLP

(57) **CLAIM**

I claim The ornamental design for a surface covering tile, as shown and described.

DESCRIPTION

FIG. 1 is a top plan view of my design for a surface covering tile;

FIG. 2 is a bottom plan view of my design for a surface covering tile;

FIG. 3 is a left side view of my design for a surface covering tile;

FIG. 4 is a right side view of my design for a surface covering tile;

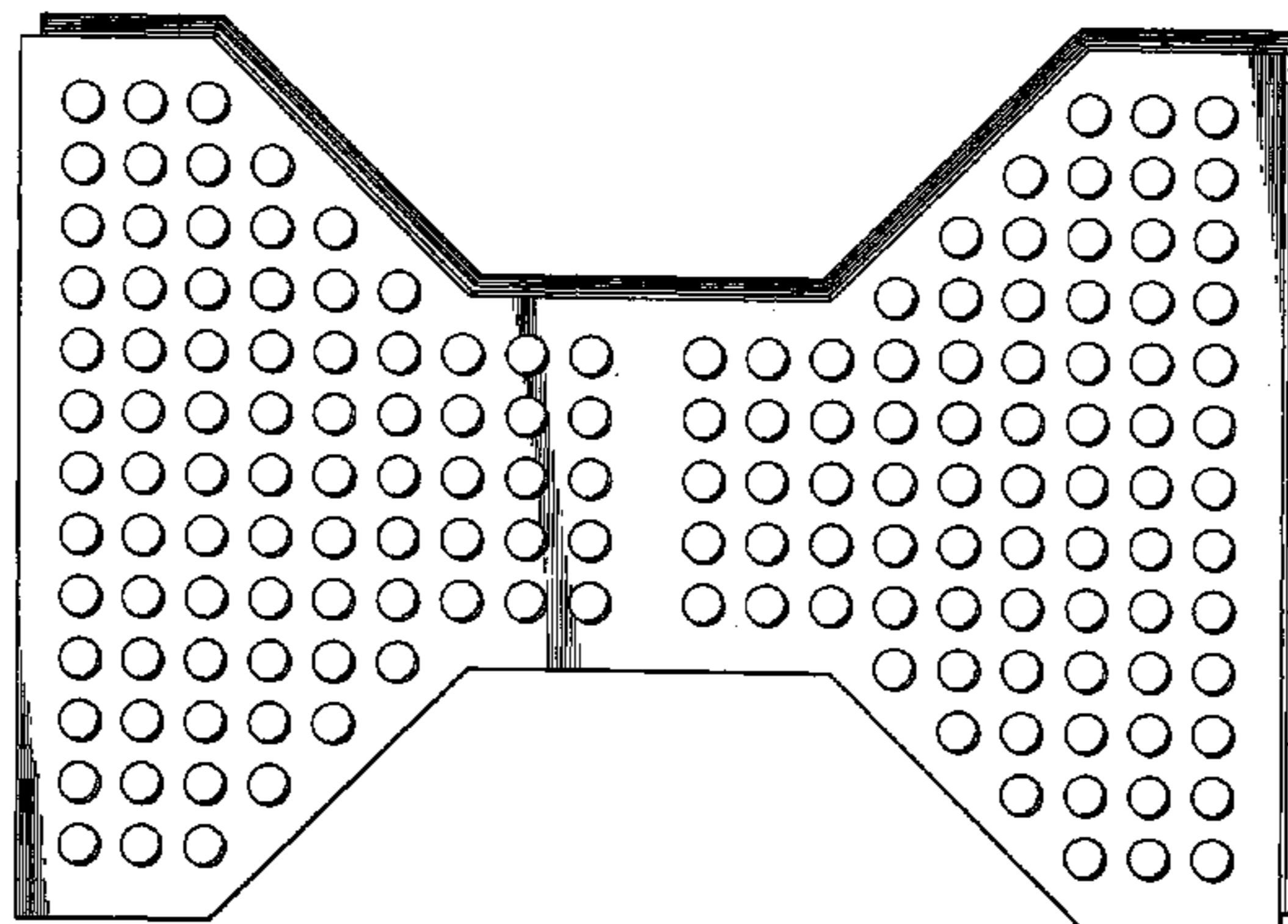
FIG. 5 is a left end view of my design for a surface covering tile;

FIG. 6 is a right end view of my design for a surface covering tile;

FIG. 7 is an enlarged top lower right corner perspective view of surface covering tile shown in FIG. 1; and,

FIG. 8 is an enlarged bottom perspective view thereof.

1 Claim, 4 Drawing Sheets



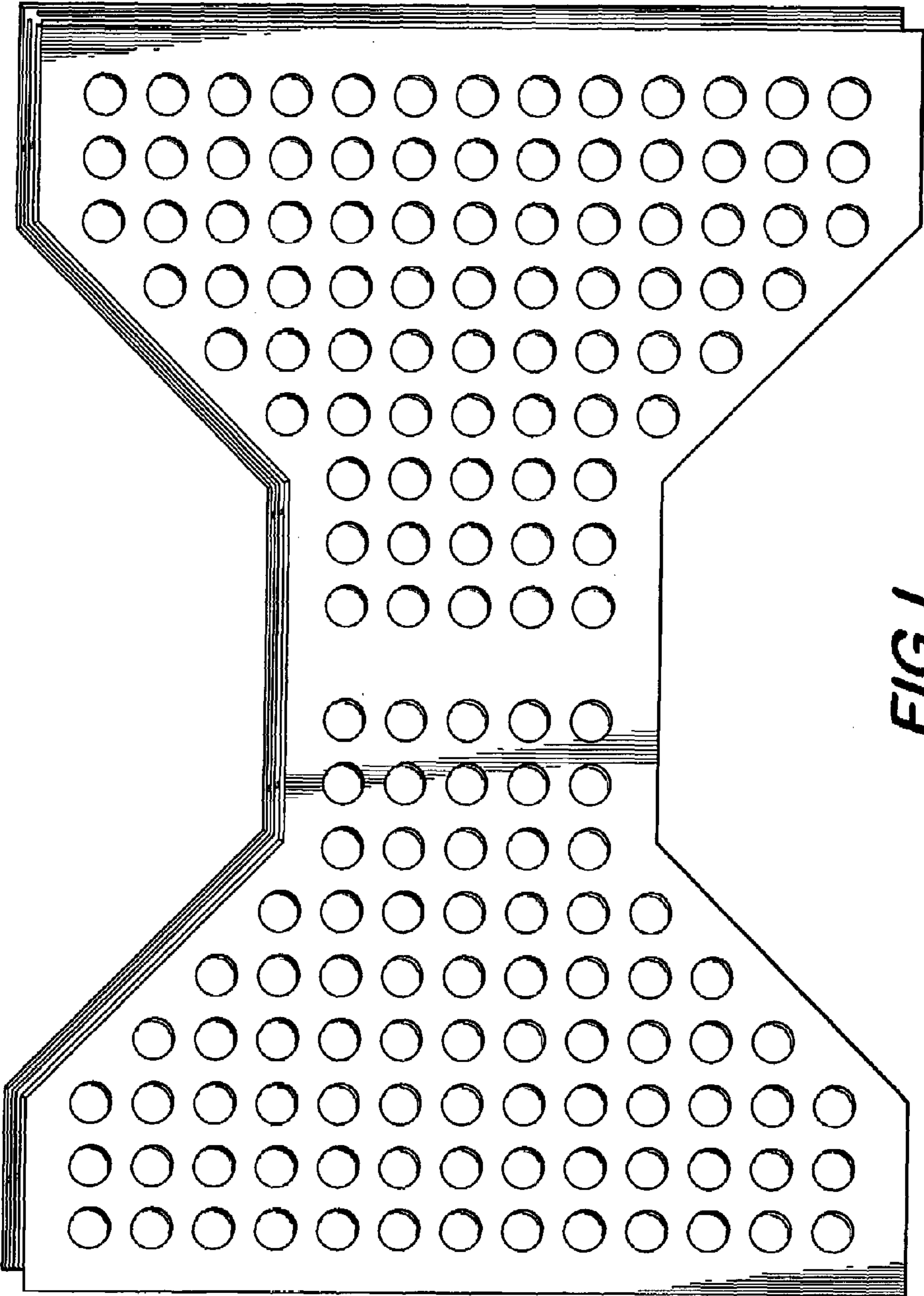


FIG. 1

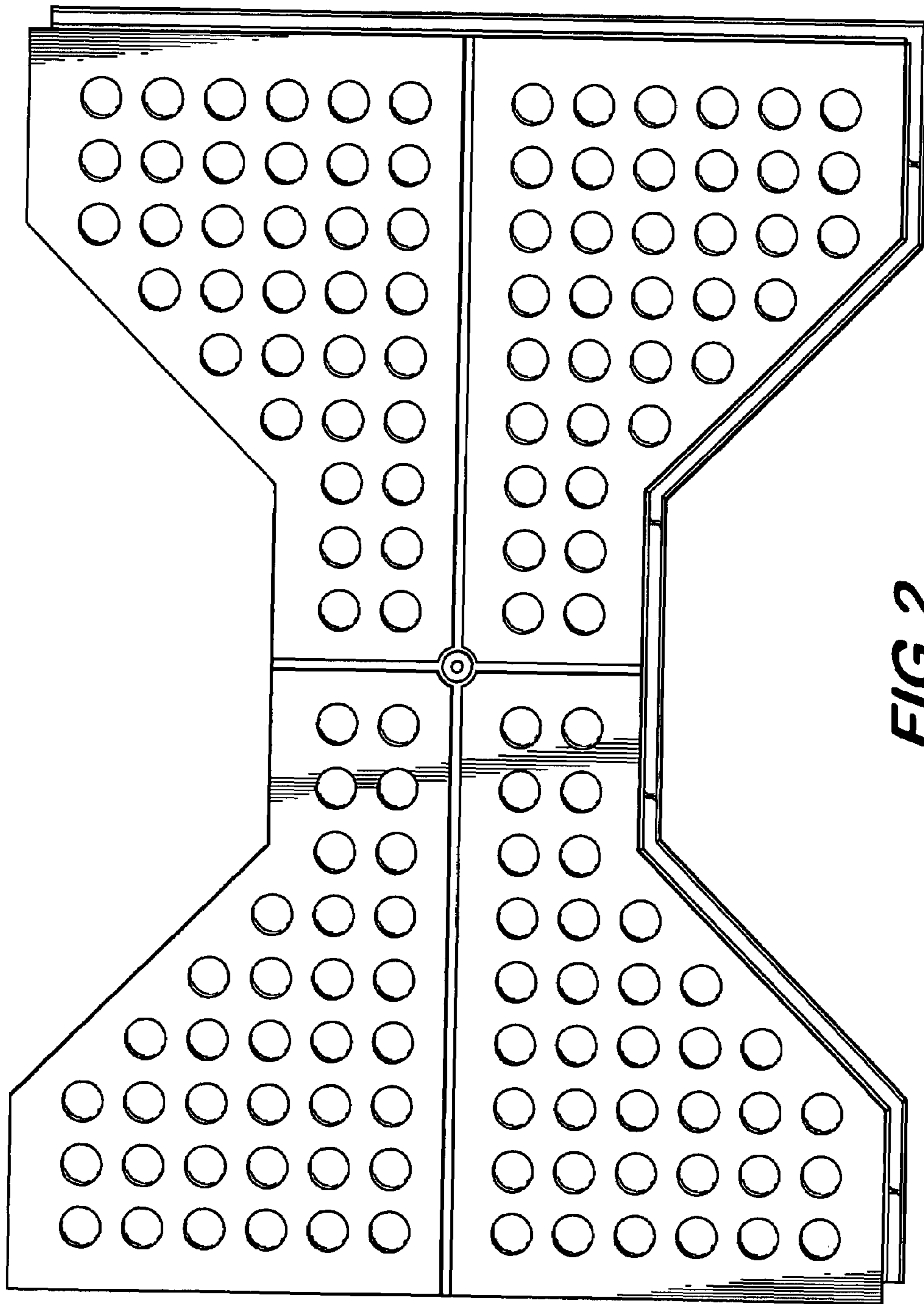


FIG. 2



FIG. 3



FIG. 4



FIG. 5



FIG. 6

FIG. 7

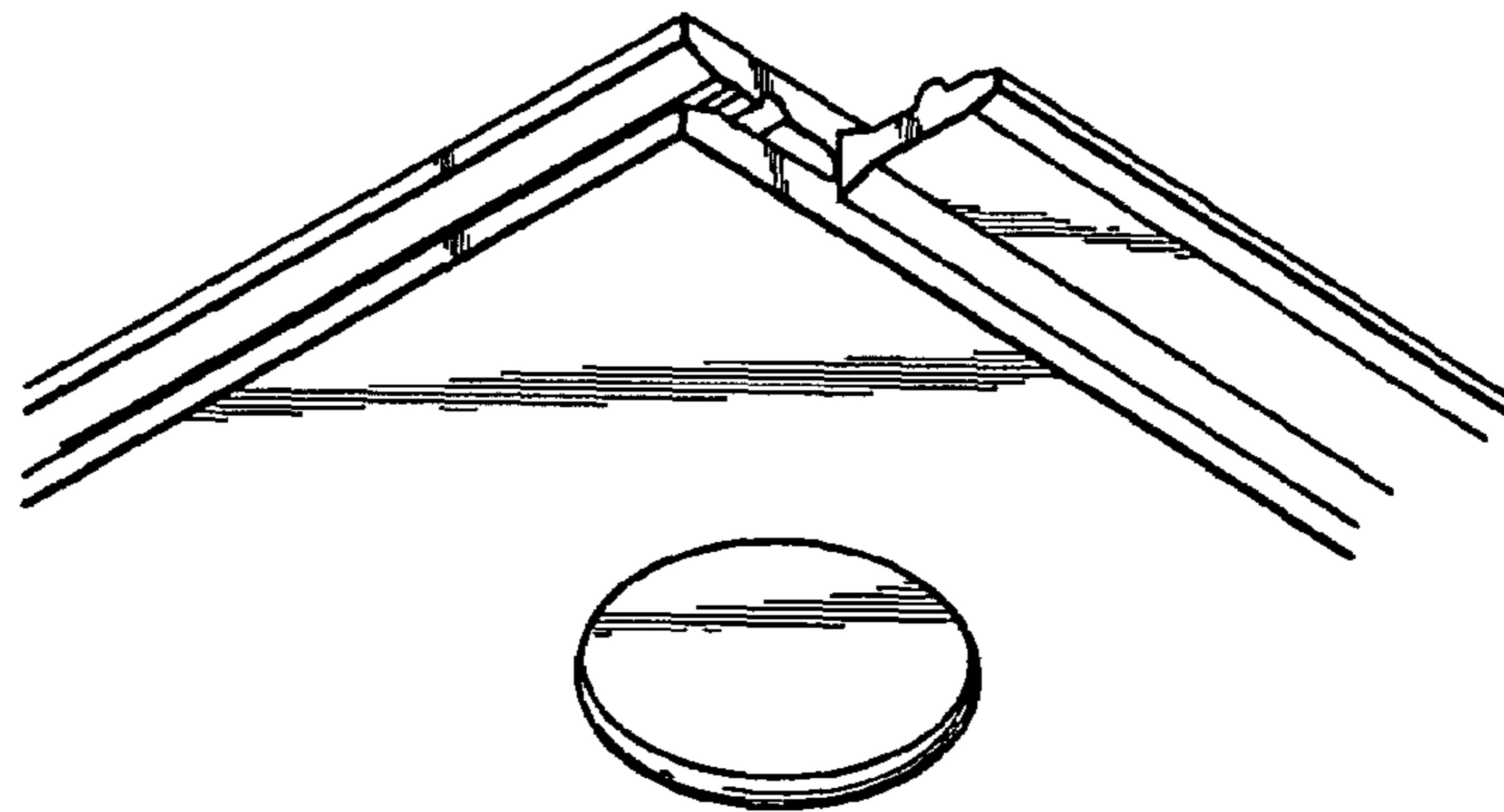
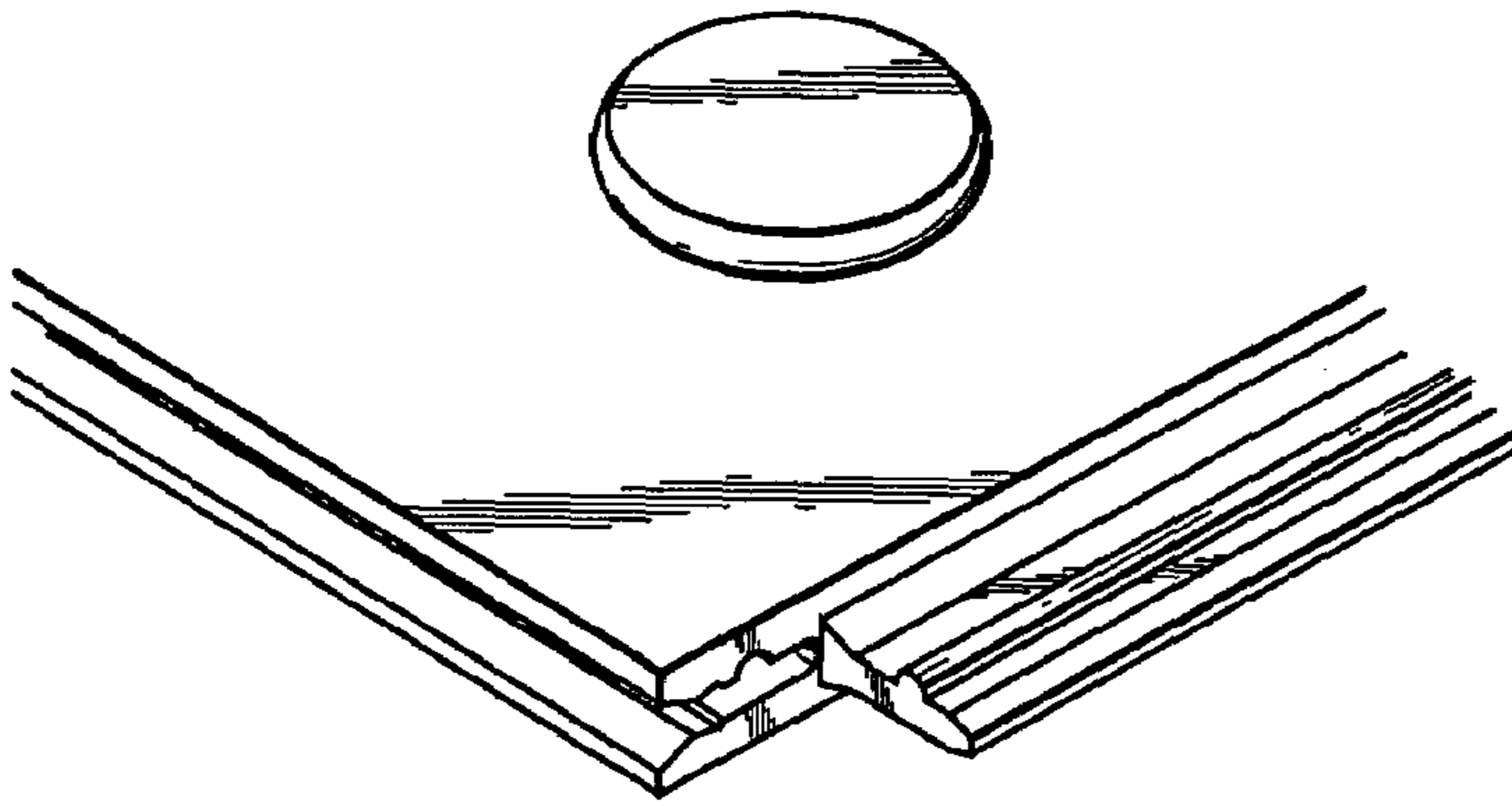


FIG. 8