



US00D556919S

(12) **United States Design Patent**
Price

(10) **Patent No.:** **US D556,919 S**

(45) **Date of Patent:** **** Dec. 4, 2007**

(54) **STACKABLE WALL BLOCK**

(75) Inventor: **Brian A. Price**, Rochester, MN (US)

(73) Assignee: **Mortarless Technologies, LLC**,
Rochester, MN (US)

(**) Term: **14 Years**

(21) Appl. No.: **29/266,092**

(22) Filed: **Sep. 14, 2006**

(51) **LOC (8) Cl.** **25-01**

(52) **U.S. Cl.** **D25/116**

(58) **Field of Classification Search** D25/112-118;
D21/484-486, 499-501; 405/15-16, 30-31,
405/33, 35, 284, 286; 52/596, 600-609,
52/612

See application file for complete search history.

(56) **References Cited**

U.S. PATENT DOCUMENTS

1,795,451 A	3/1931	Sharpe	
D255,787 S *	7/1980	Morehead, Jr. D25/118
D343,461 S	1/1994	Powell	
D363,787 S	10/1995	Powell	
5,827,015 A	10/1998	Woolford et al.	
D457,656 S *	5/2002	Bilka D25/113
6,682,269 B2	1/2004	Price et al.	
D539,438 S *	3/2007	Price D25/113

* cited by examiner

Primary Examiner—Robert A. Delehanty

(74) *Attorney, Agent, or Firm*—Patterson, Thuente, Skaar & Christensen, P.A.

(57) **CLAIM**

I claim the ornamental design for a stackable wall block, as shown.

DESCRIPTION

FIG. 1 is a perspective view of a stackable wall block showing my new design.

FIG. 2 is a bottom view thereof.

FIG. 3 is a top view thereof.

FIG. 4 is a front view thereof.

FIG. 5 is a rear view thereof.

FIG. 6 is a side view thereof.

FIG. 7 is a further perspective view of a stackable wall block showing my new design.

FIG. 8 is a bottom view thereof.

FIG. 9 is a top view thereof.

FIG. 10 is a front view thereof.

FIG. 11 is a rear view thereof; and,

FIG. 12 is a side view thereof.

The broken lines appearing in the figures are not intended to form part of the claimed design and are provided for illustrative purposes only.

1 Claim, 6 Drawing Sheets

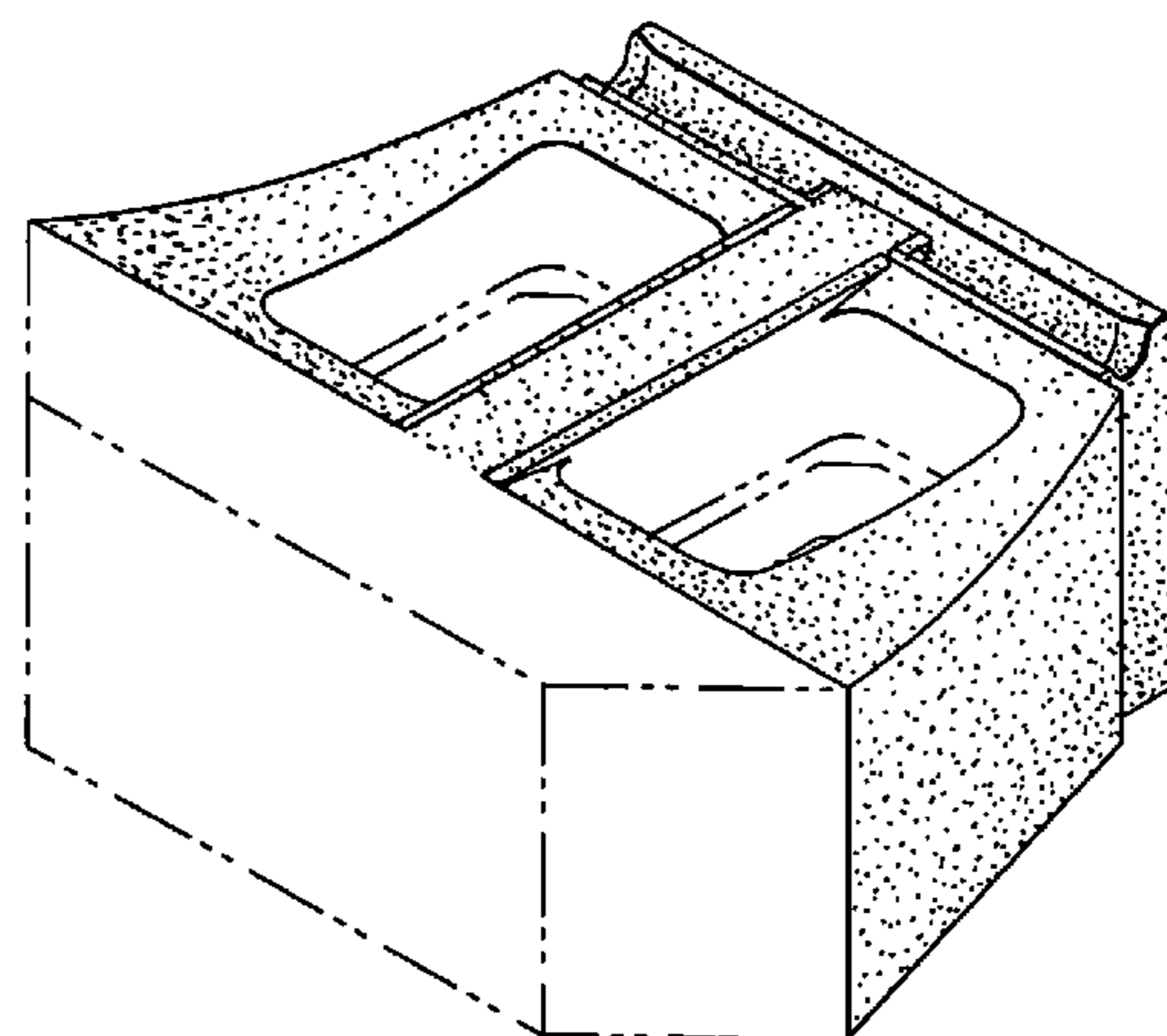
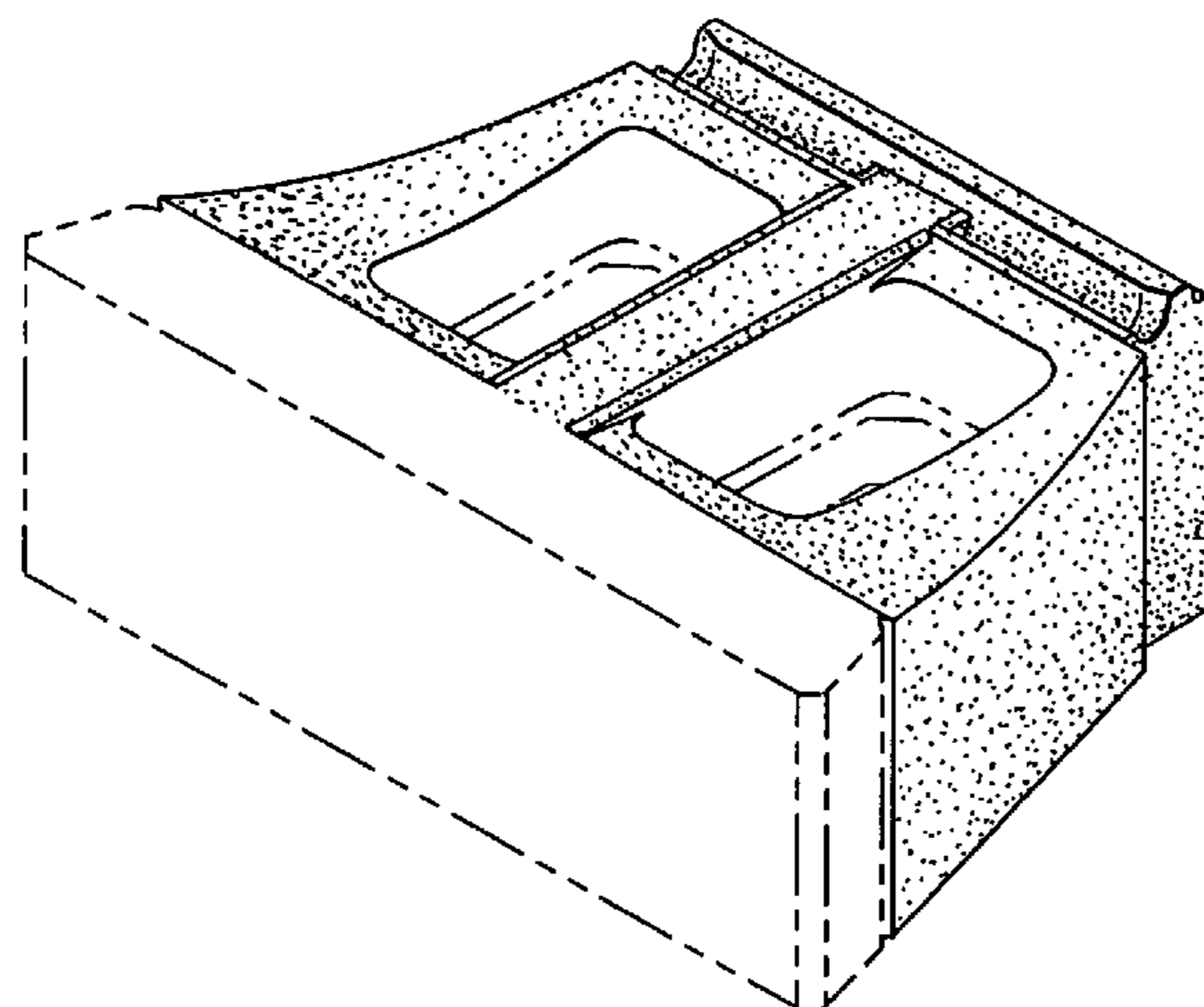


Fig. 1

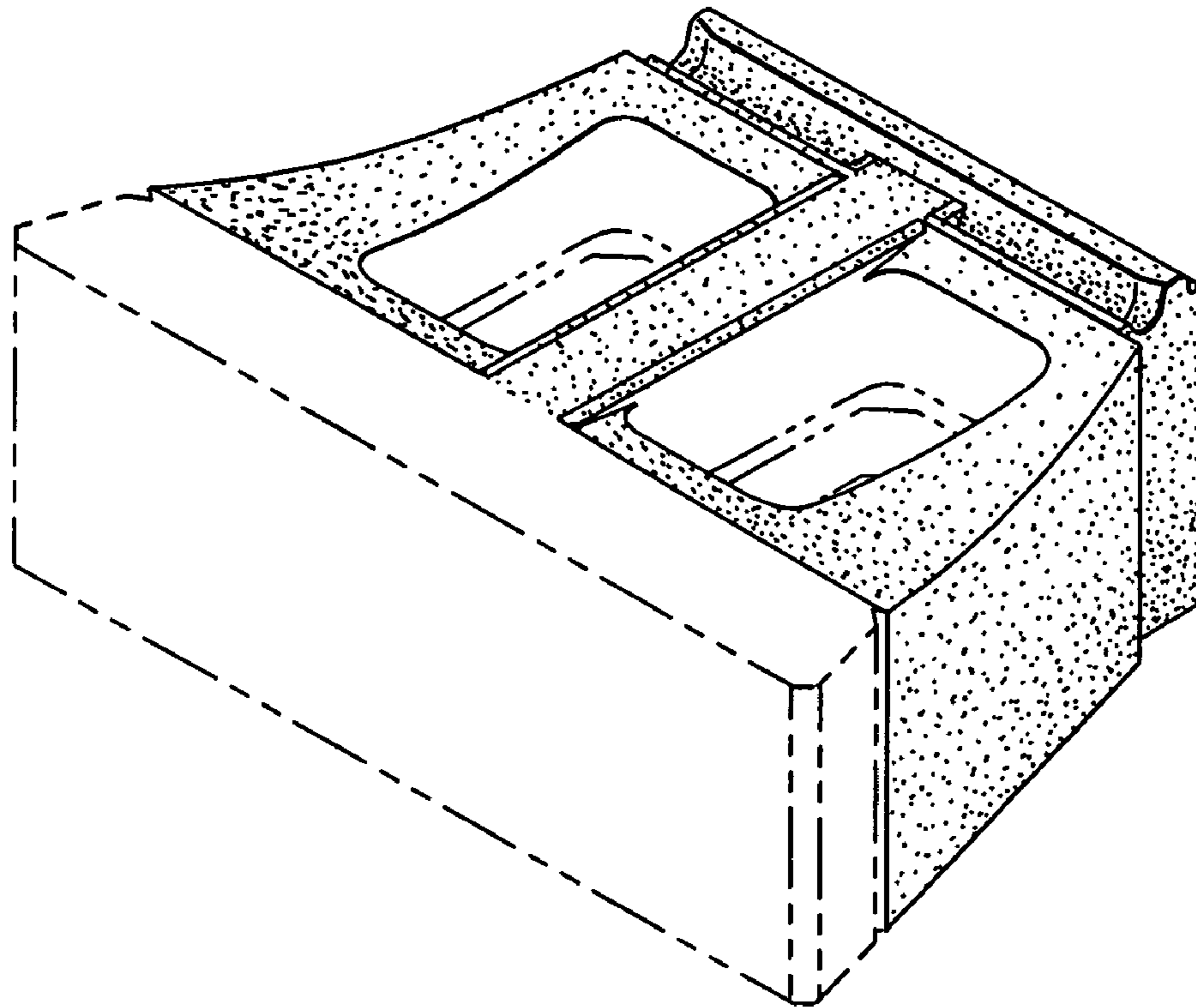


Fig. 2

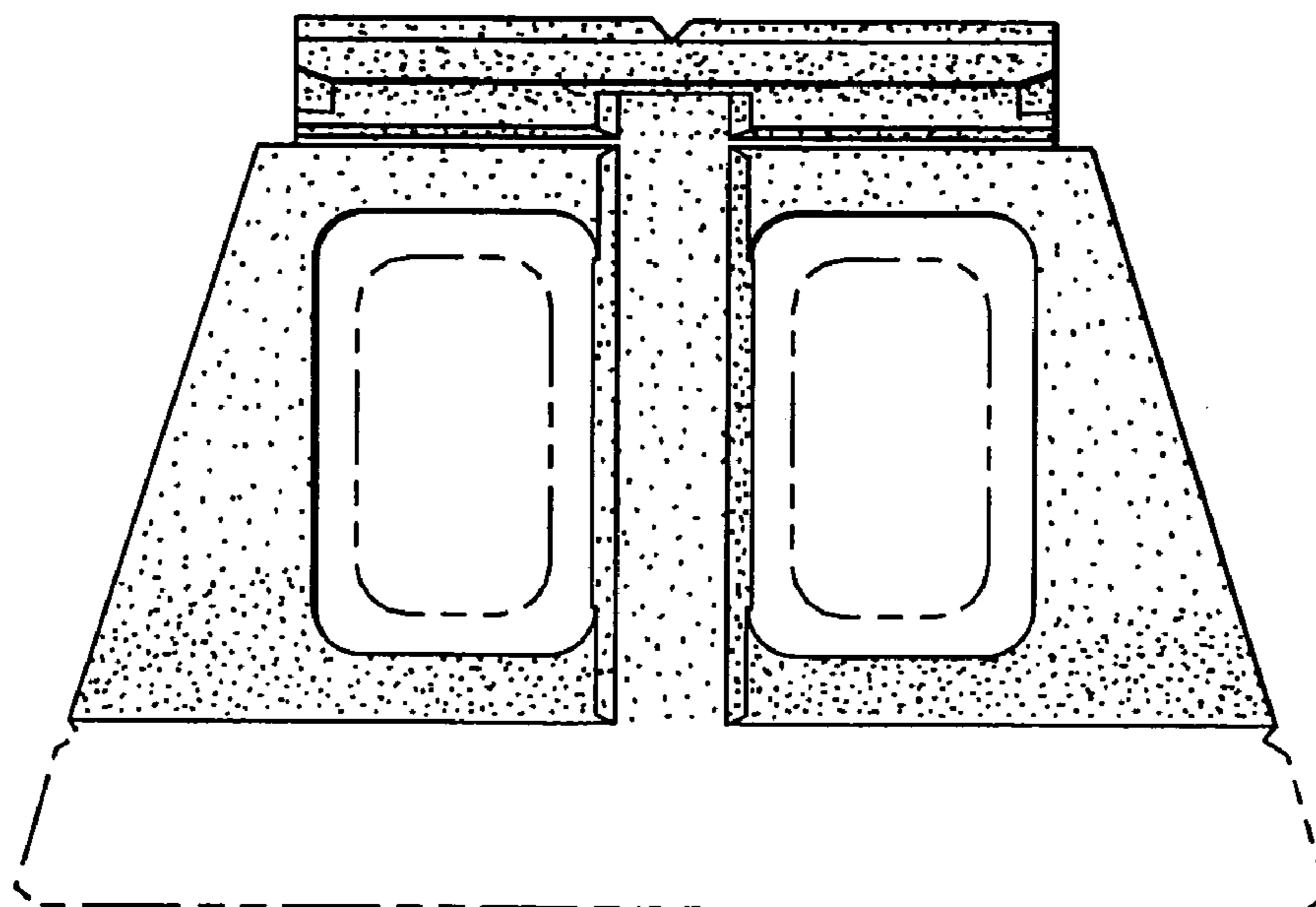


Fig. 3

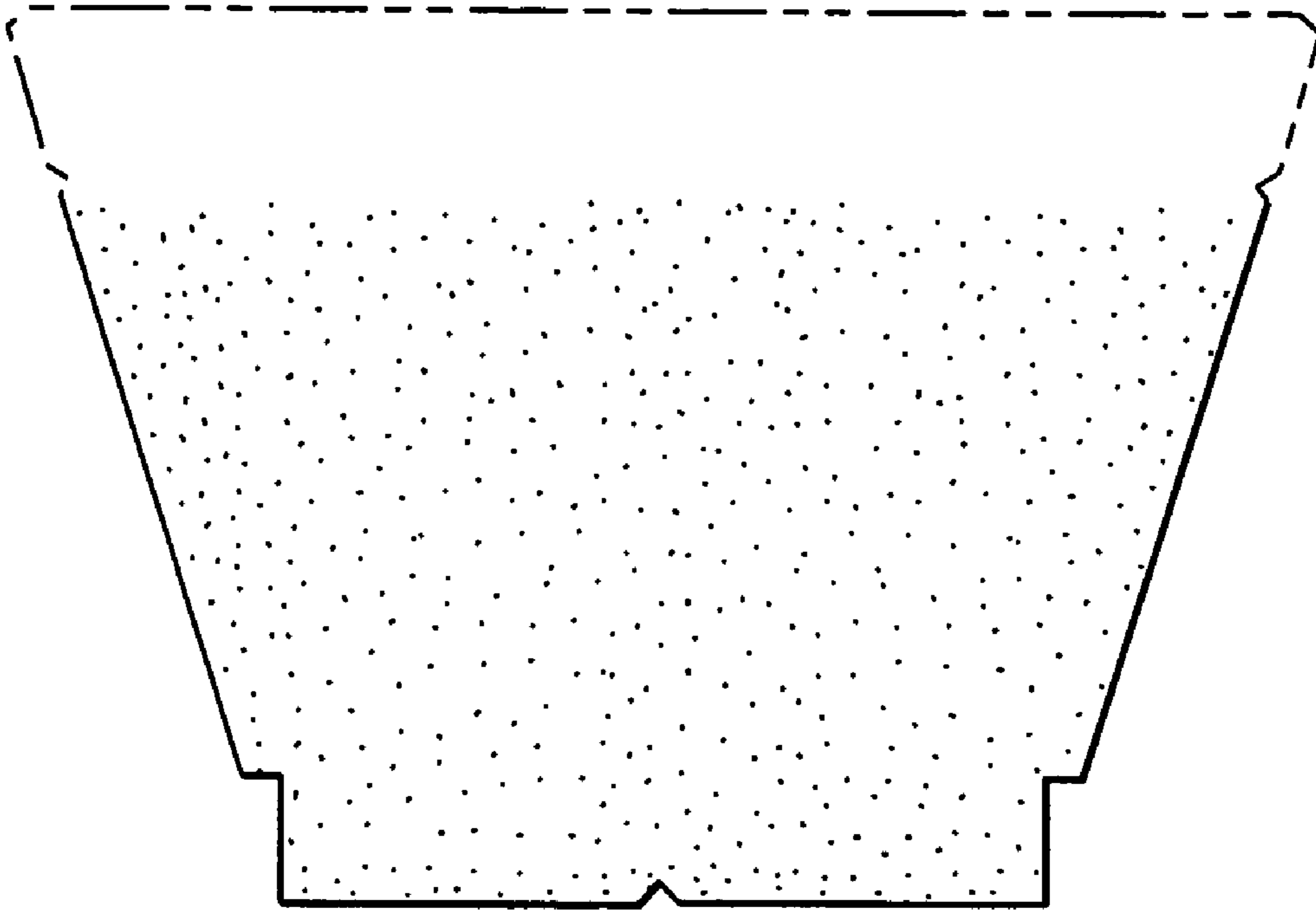


Fig. 4

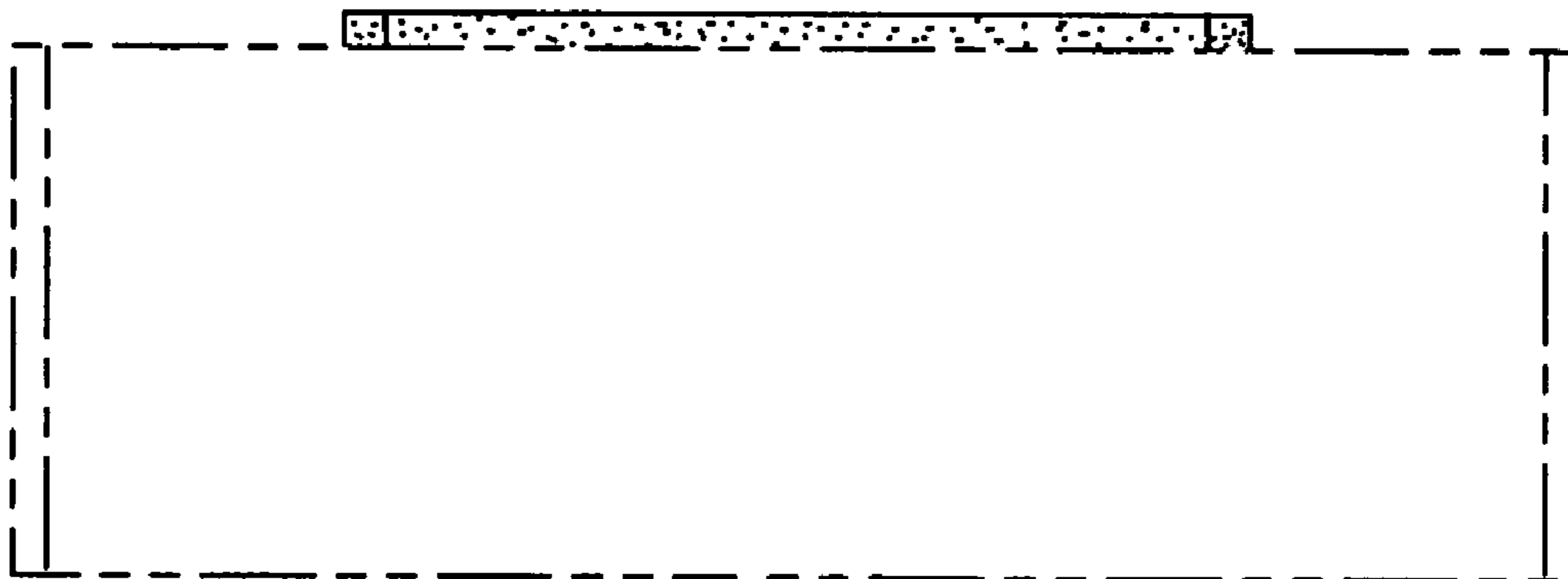


Fig. 5

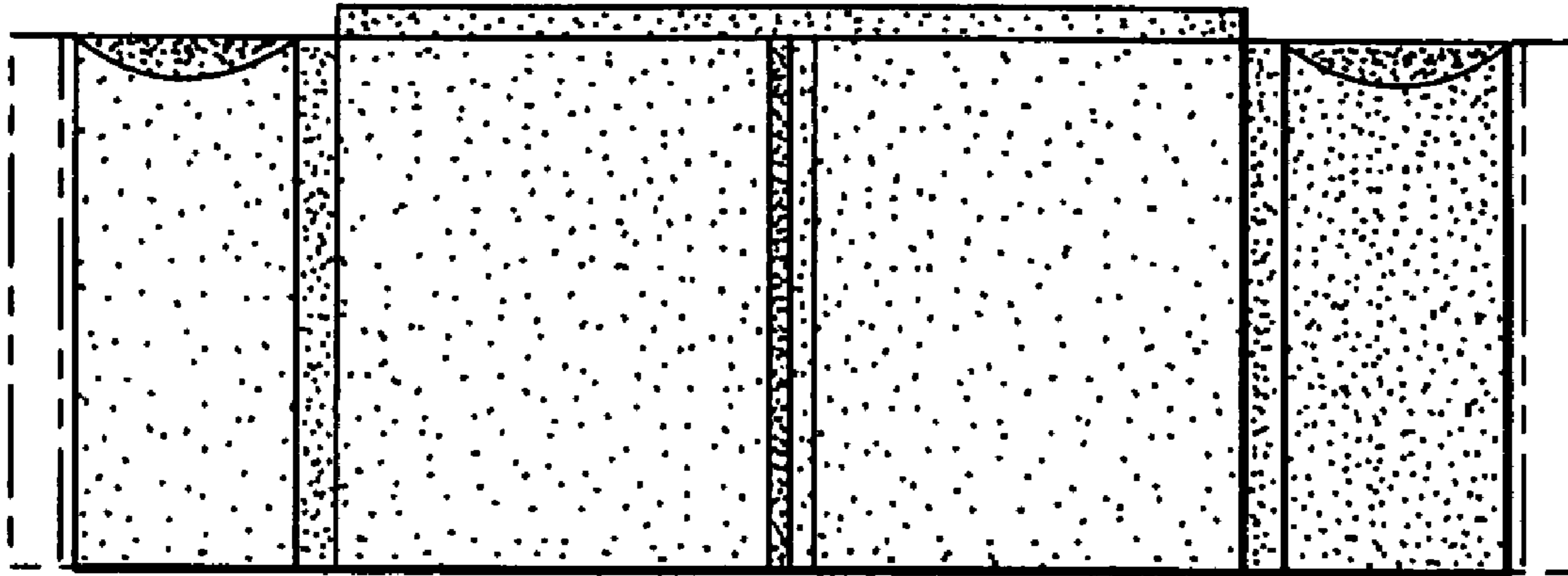


Fig. 6

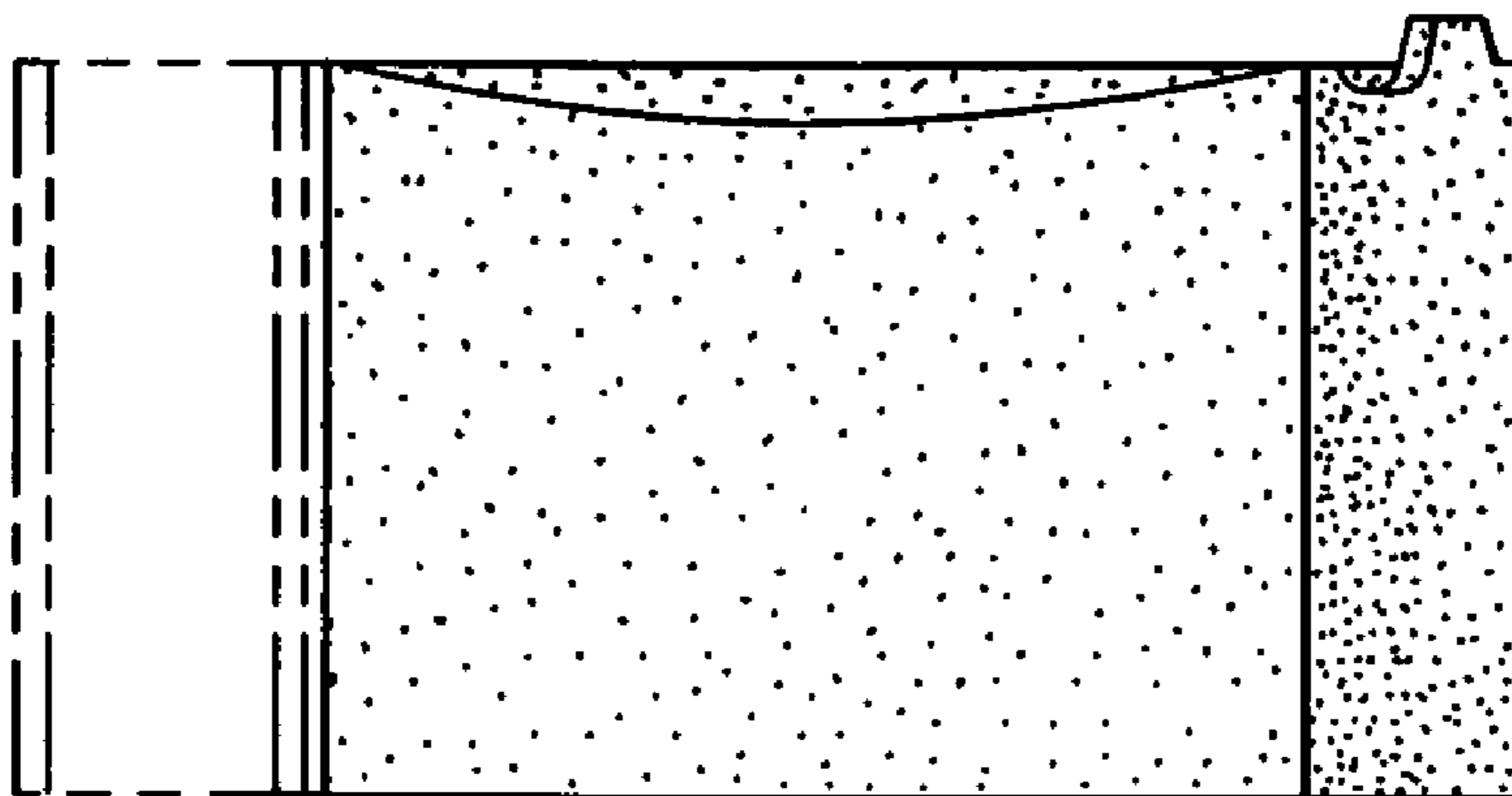


Fig. 7

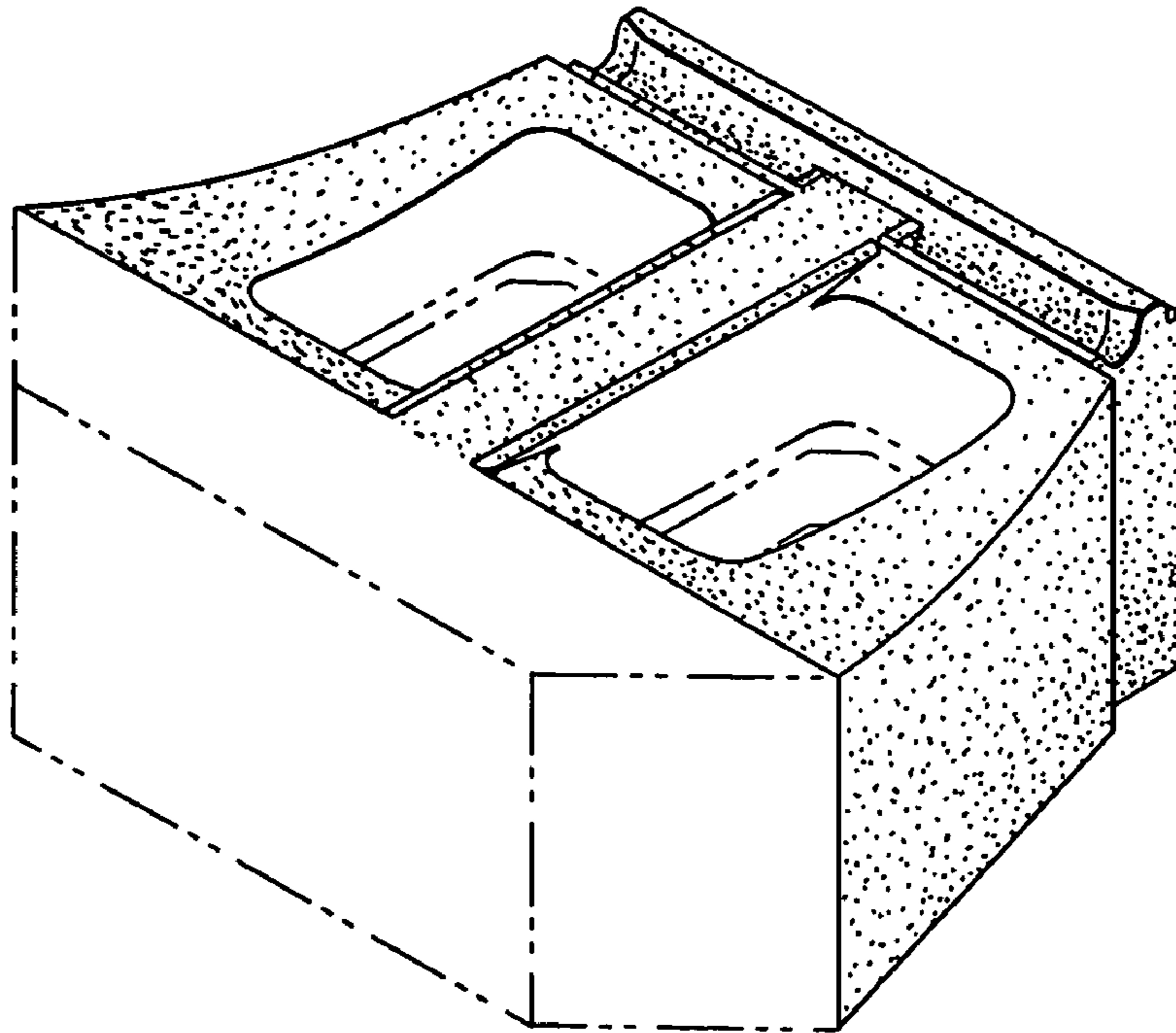


Fig. 8

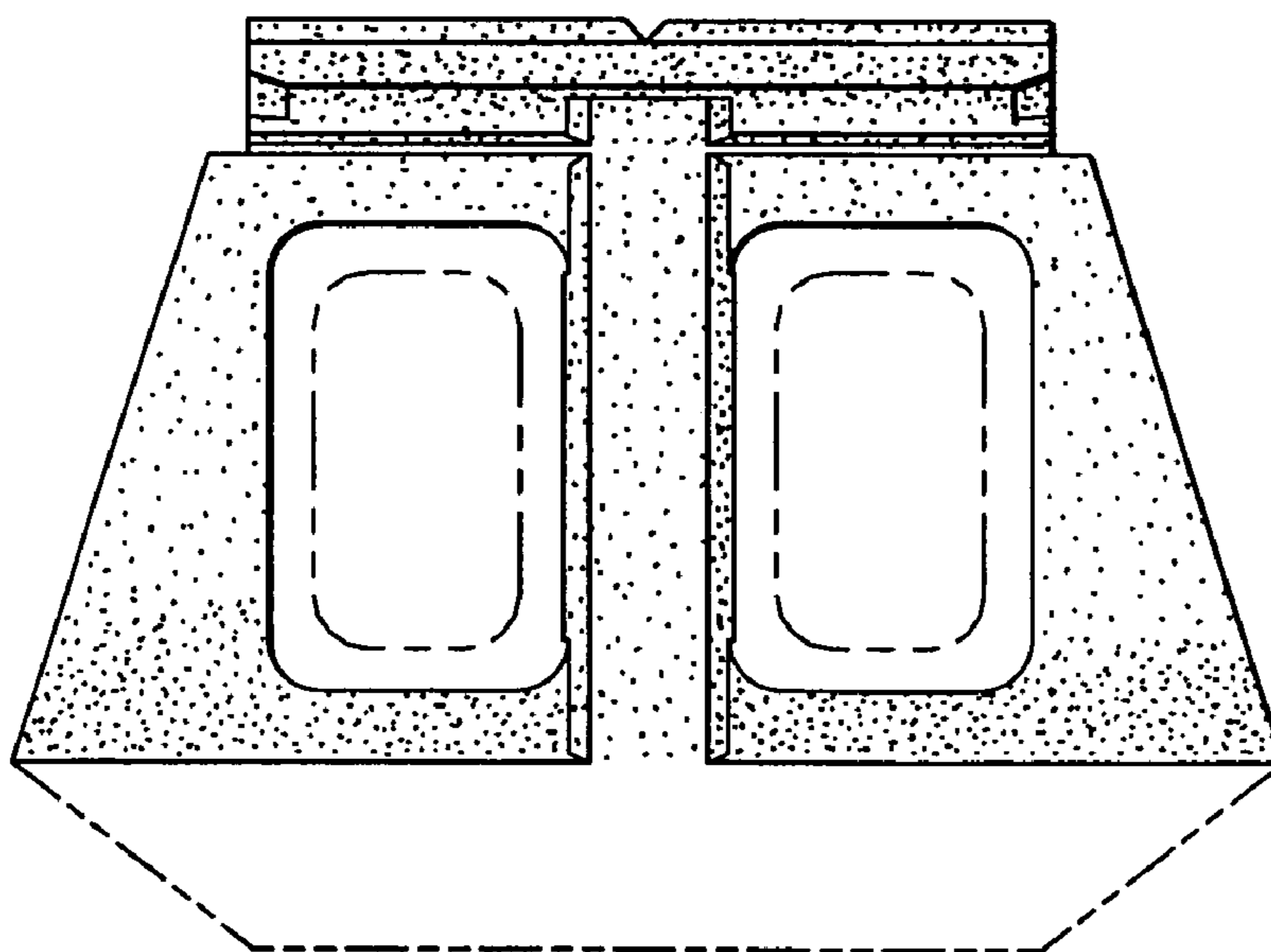


Fig. 9

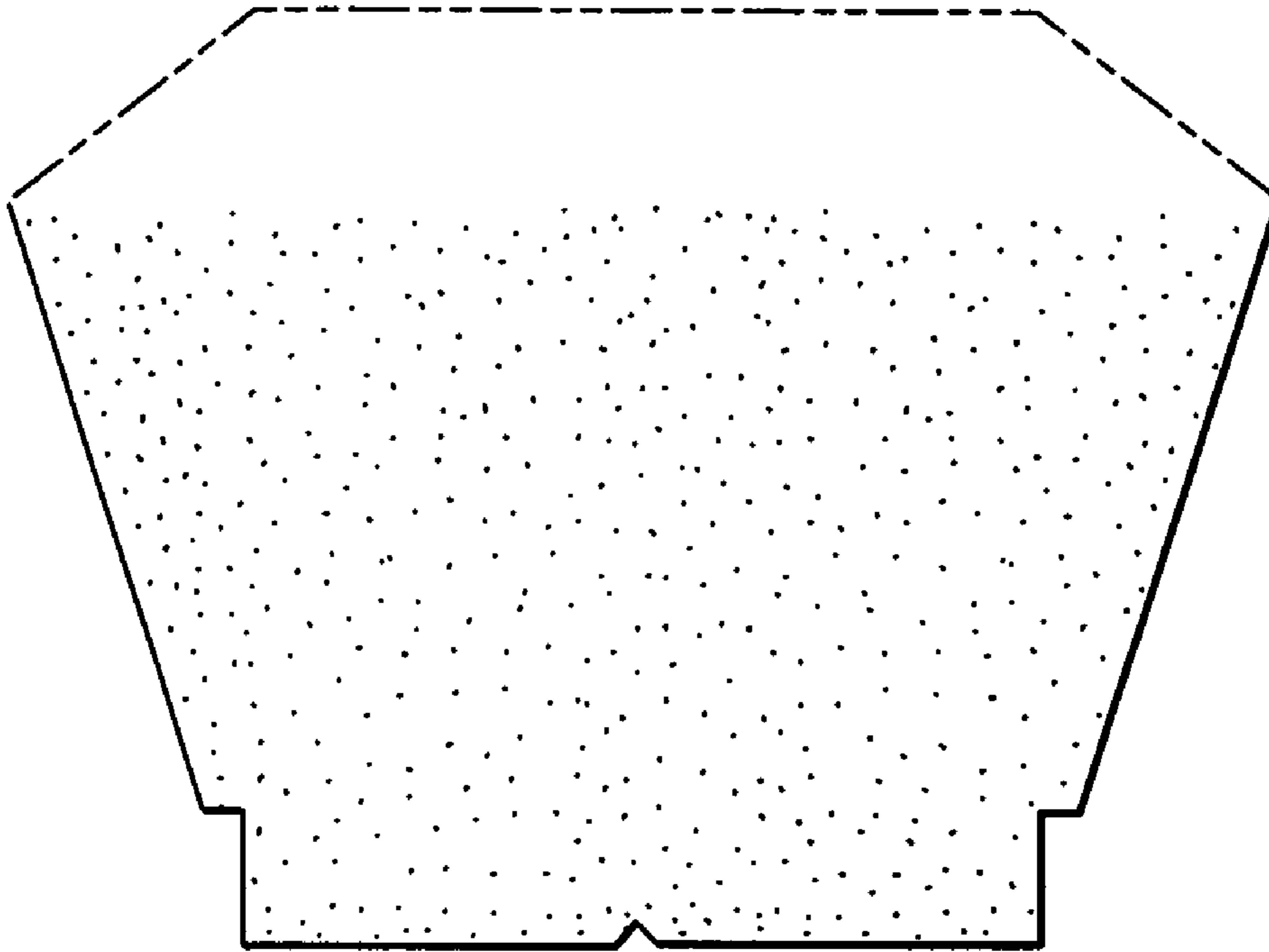


Fig. 10

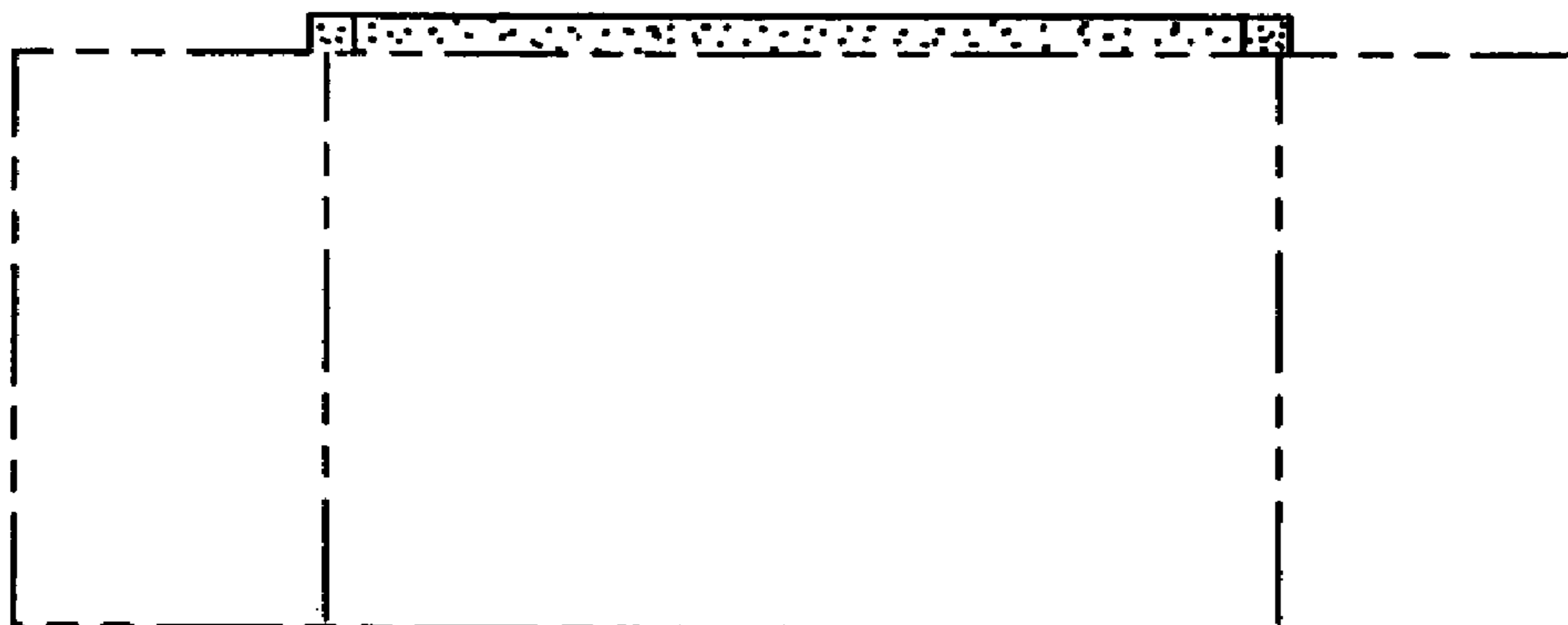


Fig. 11

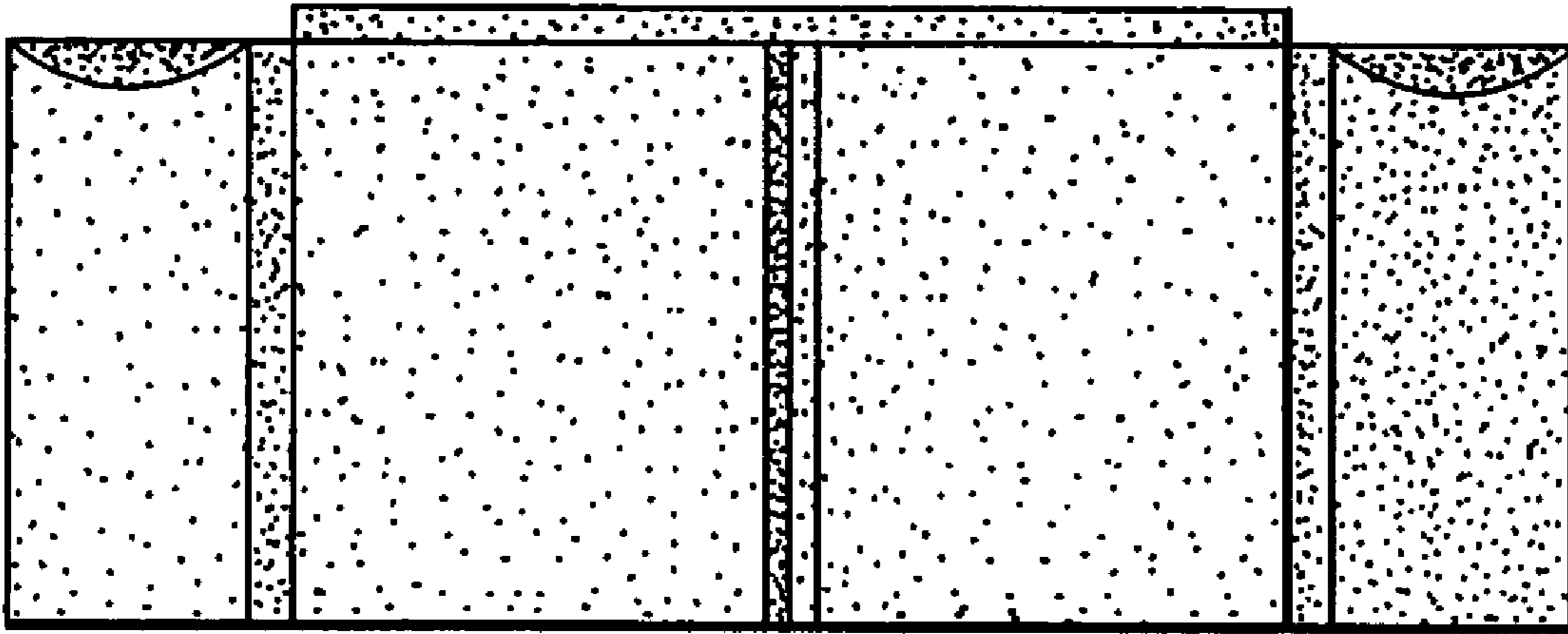


Fig. 12

