



US00D556917S

(12) **United States Design Patent** (10) **Patent No.:** **US D556,917 S**  
**Peacock et al.** (45) **Date of Patent:** **\*\* Dec. 4, 2007**

(54) **TWO SIDED MANHOLE STEP**  
(75) Inventors: **Bobbie Don Peacock**, Peachtree City, GA (US); **Charles McInvale**, Newnan, GA (US)  
(73) Assignee: **M.A. Industries, Inc.**, Peachtree City, GA (US)  
(\*\*) Term: **14 Years**

D429,003 S \* 8/2000 Takahashi ..... D25/69  
6,125,967 A 10/2000 Takahashi  
D435,118 S 12/2000 Takahashi  
6,302,618 B1 10/2001 Takahashi  
D452,742 S 1/2002 Takahashi  
D462,453 S \* 9/2002 Johansson ..... D25/69  
6,589,037 B2 7/2003 Takahashi  
D490,907 S 6/2004 Peacock et al.

(21) Appl. No.: **29/285,595**  
(22) Filed: **Apr. 3, 2007**  
(Under 37 CFR 1.47)

**Related U.S. Application Data**

(63) Continuation of application No. 10/887,754, filed on Jul. 9, 2004.  
(51) **LOC (8) Cl.** ..... **25-04**  
(52) **U.S. Cl.** ..... **D25/69**  
(58) **Field of Classification Search** ..... D25/36,  
D25/69; 182/90, 92  
See application file for complete search history.

**References Cited**

**U.S. PATENT DOCUMENTS**

2,064,803	A	12/1936	Grove	
2,650,032	A	8/1953	Godfrey	
3,867,864	A	2/1975	Knohl	
4,100,997	A	7/1978	Peacock	
4,610,330	A	9/1986	Borst	
4,655,318	A	4/1987	Bowen	
4,778,032	A	10/1988	Takahashi	
4,842,784	A	6/1989	Takahashi	
4,869,342	A *	9/1989	Borst	182/90
D304,376	S *	10/1989	Robertson	D25/69
5,507,600	A	4/1996	Takahashi	
5,752,579	A	5/1998	Takahashi	
5,772,358	A	6/1998	Takahashi	
5,944,140	A	8/1999	Takahashi	
5,967,256	A *	10/1999	Takahashi	182/92
6,029,772	A	2/2000	Takahashi	
6,068,083	A	5/2000	Takahashi	
D429,002	S	8/2000	Takahashi	

**OTHER PUBLICATIONS**

Occupational Safety and Health Administration, 20 C.F.R. Section 1910.27(b)(1)(v).  
M.A. Industries, Inc. Manhole Step Brochure, Aug. 1991, illustrating an actual size photo of M.A. Step model PS-1-PF.

\* cited by examiner

*Primary Examiner*—Doris Clark  
(74) *Attorney, Agent, or Firm*—Kilpatrick Stockton LLP; Michael A. Bertelson

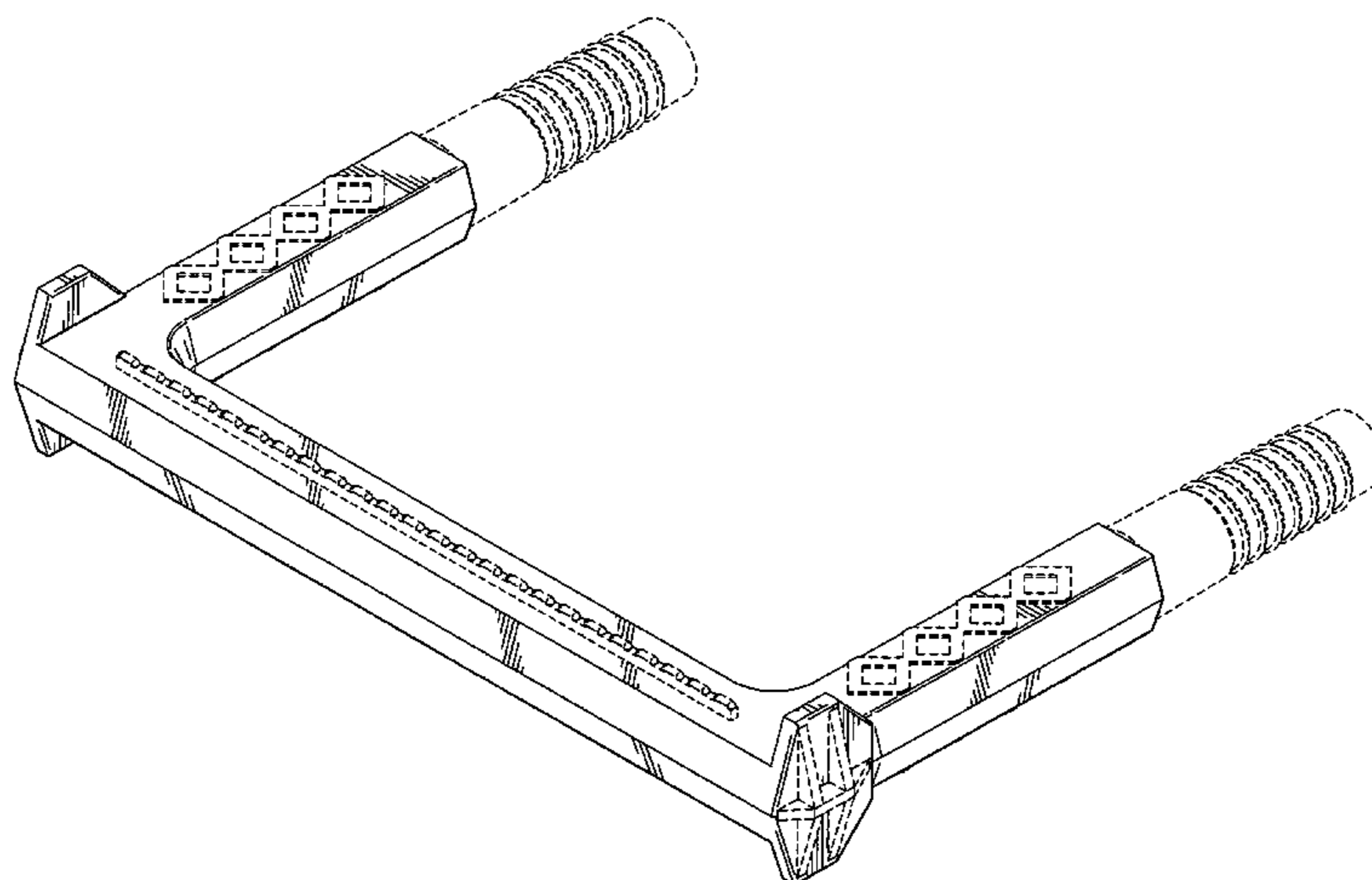
(57) **CLAIM**

I claim the ornamental design for a two sided manhole step, as shown and described.

**DESCRIPTION**

FIG. 1 shows a perspective view of a two sided manhole step.  
FIG. 2 shows a top view of the two sided manhole step shown in FIG. 1, the bottom view being a mirror image of the top view.  
FIG. 3 shows a right side elevation view of the two sided manhole step shown in FIG. 1, the left side elevation view being a mirror image of the right side elevation view.  
FIG. 4 shows a front view of the two sided manhole step shown in FIG. 1; and,  
FIG. 5 shows a rear view of the two sided manhole step shown in FIG. 1.  
Portions or features of the two sided manhole step shown in broken lines in the drawings form no part of the claimed design.

**1 Claim, 3 Drawing Sheets**



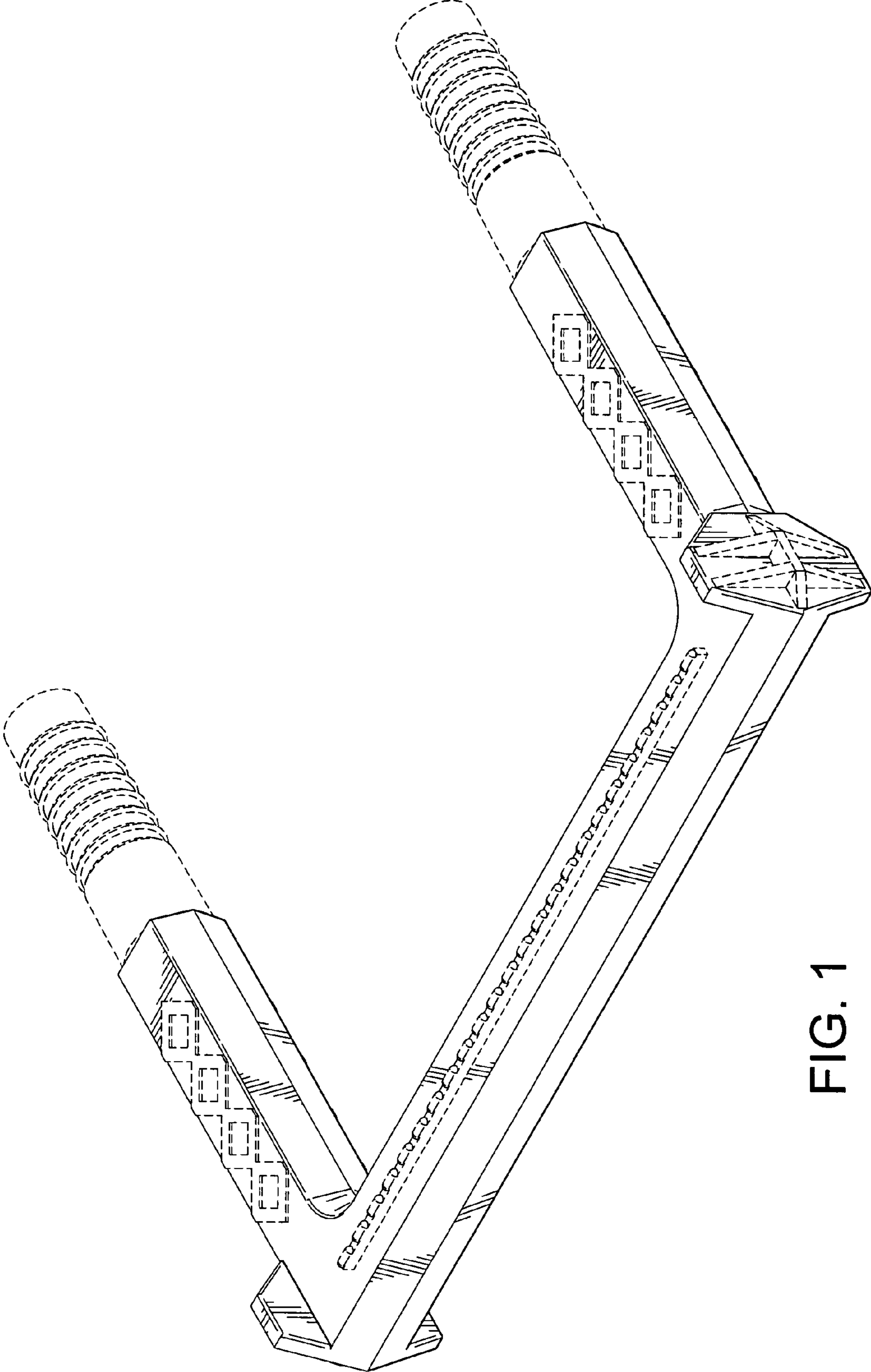


FIG. 1

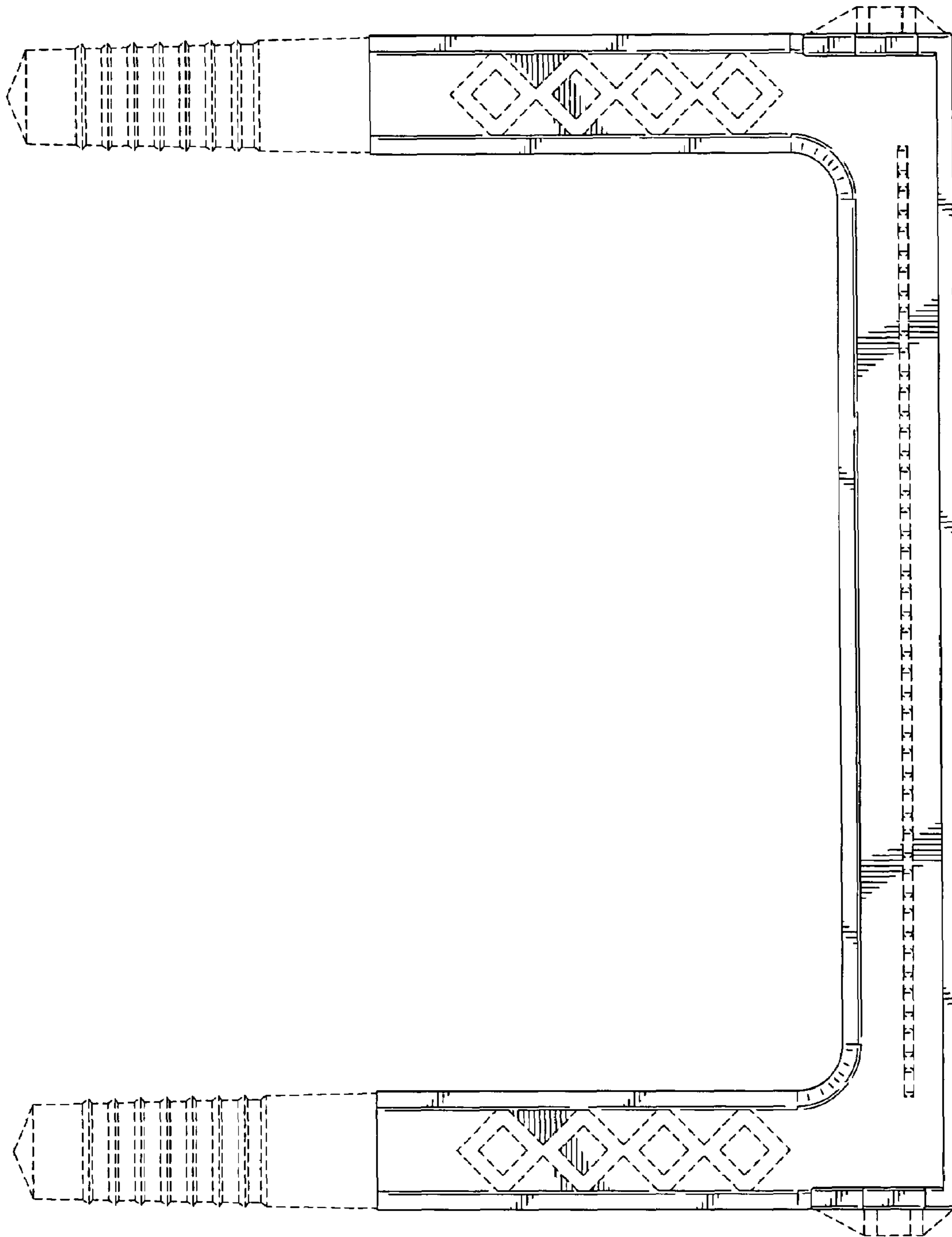


FIG. 2

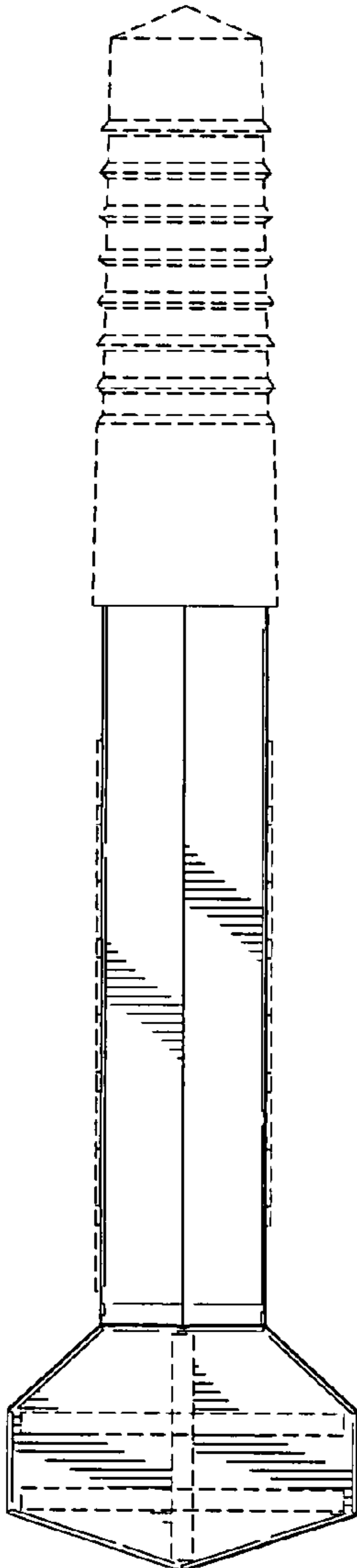


FIG. 3

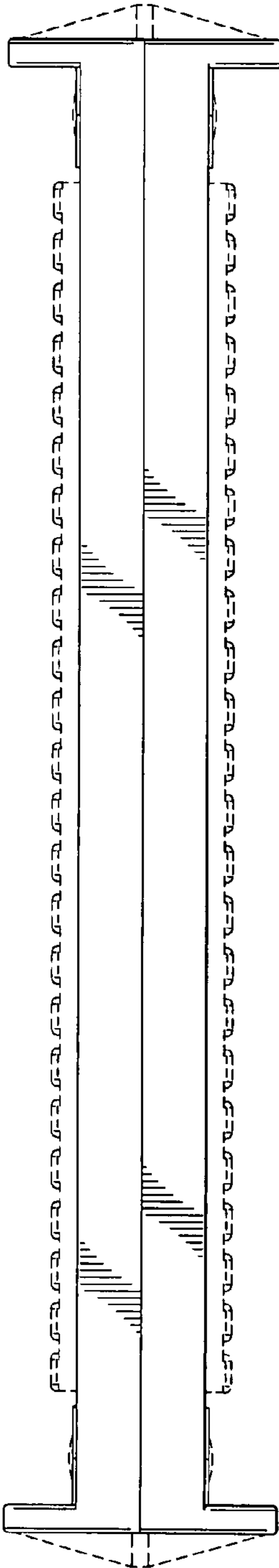


FIG. 4

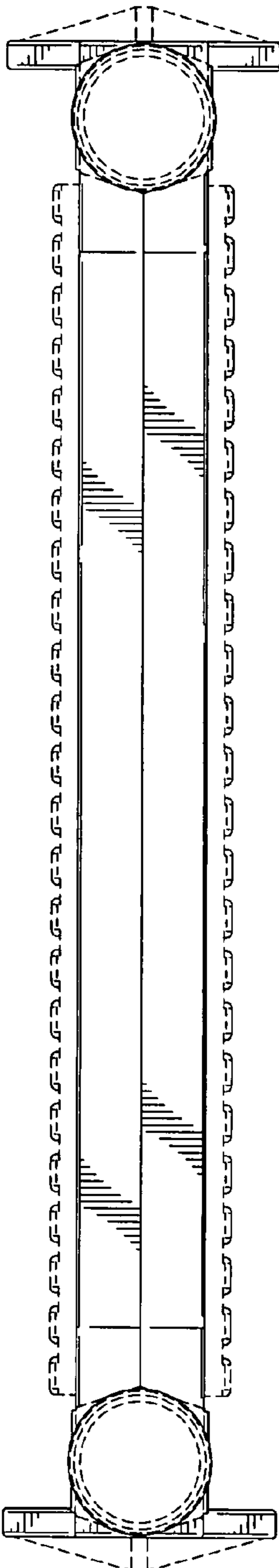


FIG. 5