



US00D556908S

(12) **United States Design Patent** (10) **Patent No.:** **US D556,908 S**
Jones et al. (45) **Date of Patent:** **** Dec. 4, 2007**

(54) **MOUTHPIECE FOR A SPIROMETER**

4,852,583 A 8/1989 Walker 128/716

(75) Inventors: **Scott E. Jones**, Chicago, IL (US);
William C. Jones, Jr., Chicago, IL (US)

(Continued)

(73) Assignee: **Jones Medical Instrument Company**,
Oak Brook, IL (US)

Primary Examiner—Doris Clark
Assistant Examiner—Anhdao Doan
(74) *Attorney, Agent, or Firm*—Marshall, Gerstein & Borun
LLP

(**) Term: **14 Years**

(57) **CLAIM**

(21) Appl. No.: **29/275,675**

The ornamental design for a “mouthpiece for a Spirometer,”
as shown and described.

(22) Filed: **Jan. 3, 2007**

(51) **LOC (8) Cl.** **24-02**

(52) **U.S. Cl.** **D24/164**

(58) **Field of Classification Search** D24/110,
D24/110.5, 110.6, 162, 164; 128/201.21,
128/201.26, 203.22, 203.26, 911, 912, 914
See application file for complete search history.

DESCRIPTION

FIG. 1 is a perspective view showing our new design of the
mouthpiece for a spirometer:

FIG. 2 is a front view of the mouthpiece for a spirometer of
FIG. 1;

FIG. 3 is a rear view of the mouthpiece for a spirometer of
FIG. 1;

FIG. 4 is a left side view of the mouthpiece for a spirometer
of FIG. 1 showing a tab portion in an alternative position, the
right side being a mirror image;

FIG. 5 is a left side view of the mouthpiece for a spirometer
of FIG. 1, the right side being a mirror image thereof;

FIG. 6 is a top view of the mouthpiece for a spirometer of
FIG. 1;

FIG. 7 is a bottom view of the mouthpiece for a spirometer
of FIG. 1;

FIG. 8 is a cross-section view of the mouthpiece for a
spirometer of FIG. 1, taken along lines 8—8 of FIG. 2;

FIG. 9 is a cross-section view of the mouthpiece for a
spirometer of FIG. 1, taken along lines 9—9 of FIG. 2; and,

FIG. 10 is a cross-section view of the mouthpiece for a
spirometer of FIG. 1, taken along lines 10—10 of FIG. 2.

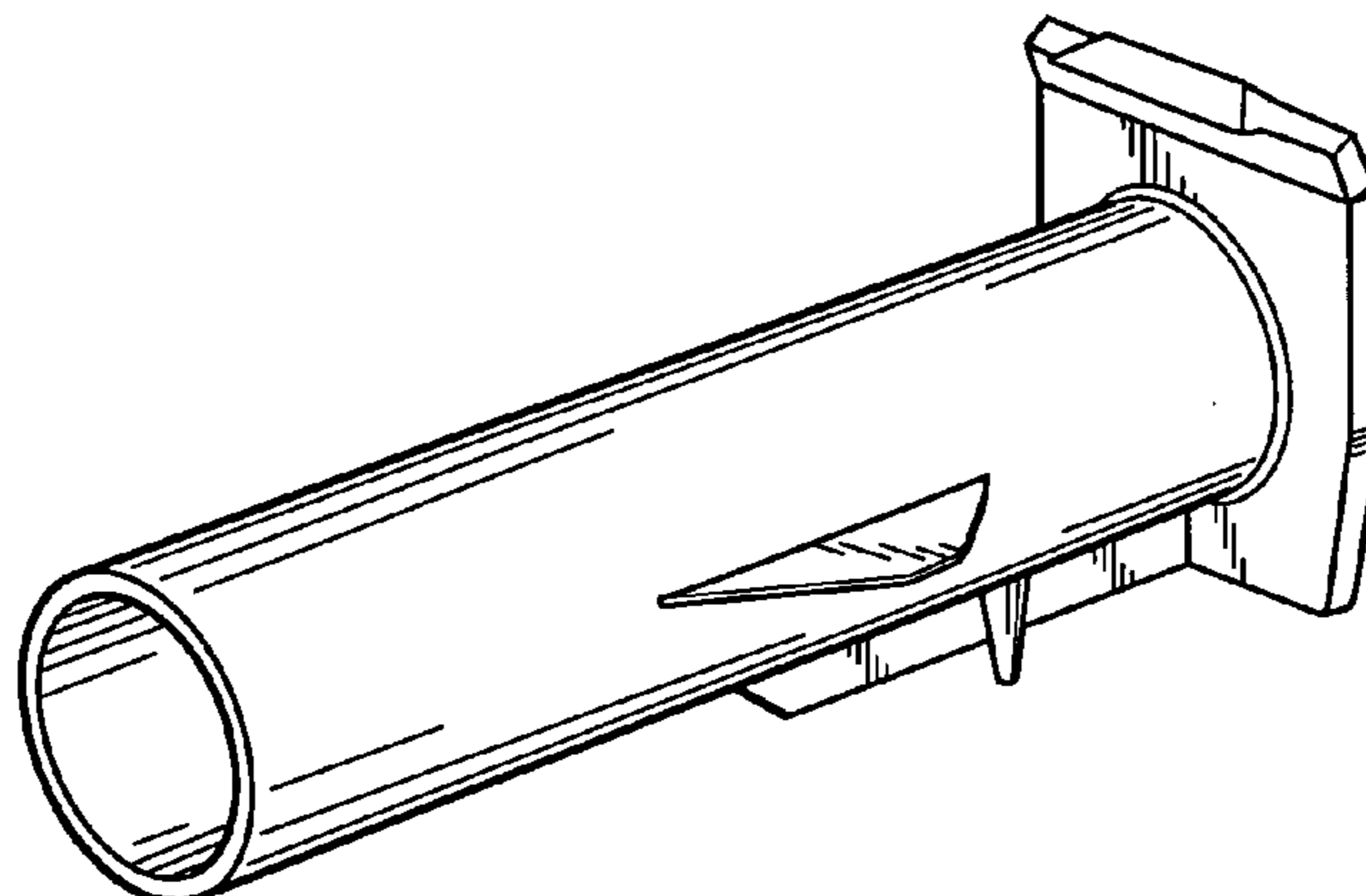
The dashed lines are for illustrative purposes only and form
no part of the claimed design.

(56) **References Cited**

U.S. PATENT DOCUMENTS

3,086,515 A	4/1963	Jones	128/2.63
3,321,976 A	5/1967	Jones	173/421.52
3,512,251 A	5/1970	Jones	128/2.08
3,527,206 A	9/1970	Jones	128/2.08
3,533,398 A	10/1970	Jones	128/2
3,589,190 A	6/1971	Jones	73/279
3,771,512 A	11/1973	Jones et al.	128/2.08
3,922,525 A	11/1975	Kozak et al.	250/231 R
D238,712 S *	2/1976	Gray et al.	D24/110
3,977,394 A	8/1976	Jones et al.	128/2.07
3,993,050 A	11/1976	Robinson et al.	128/2.08
4,250,890 A	2/1981	Jones et al.	128/728
4,259,967 A	4/1981	Vooren et al.	128/720
4,296,758 A	10/1981	Garbe	128/728
4,307,729 A	12/1981	Hart et al.	128/727
D263,166 S	2/1982	Bushman	D24/17
4,333,476 A	6/1982	Downing, Jr.	128/720
D266,695 S	10/1982	Trammll et al.	D24/17
D281,011 S *	10/1985	Helfer	D24/110
4,558,710 A	12/1985	Eichler	128/720
4,706,685 A	11/1987	Jones, Jr. et al.	128/725
4,841,982 A	6/1989	Nikiforov et al.	128/716

1 Claim, 4 Drawing Sheets



US D556,908 S

Page 2

U.S. PATENT DOCUMENTS

D304,232 S	10/1989	Fuller	D24/17	5,749,368 A	5/1998	Kase	128/725
4,991,591 A *	2/1991	Jones et al.	600/532	D411,010 S *	6/1999	Harbrecht et al.	D24/164
D321,227 S	10/1991	Norell		6,004,277 A	12/1999	Maharaj et al.	600/538
D335,343 S *	5/1993	Jones et al.	D24/110	D423,101 S	4/2000	Durst et al.	D24/164
D339,635 S	9/1993	Weterson et al.	D24/164	6,435,183 B1	8/2002	Farman	128/204.25
5,724,986 A	3/1998	Jones, Jr. et al.	128/25	6,450,969 B1	9/2002	Farr et al.	600/538

* cited by examiner

FIG. 1

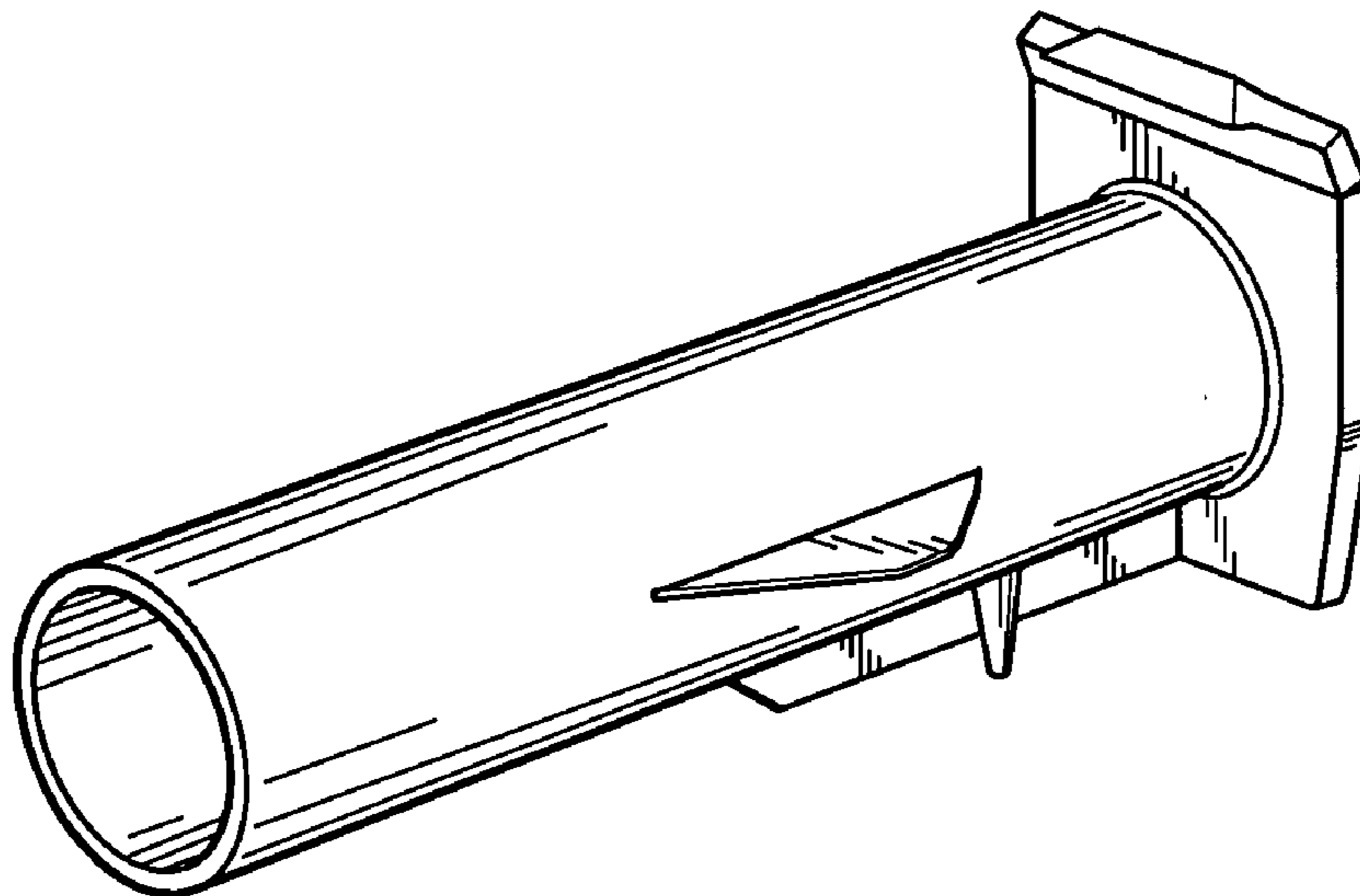


FIG. 2

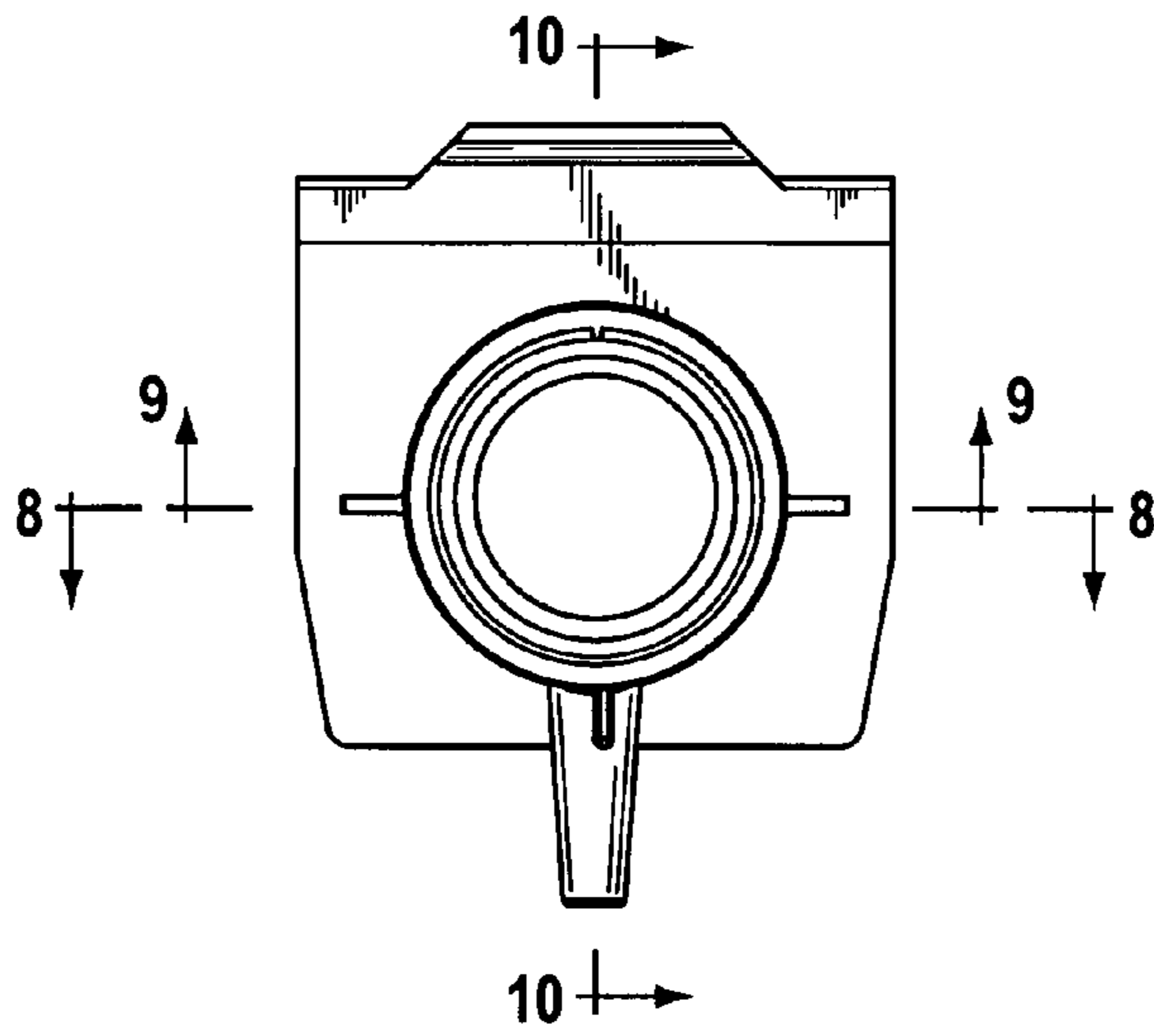


FIG. 3

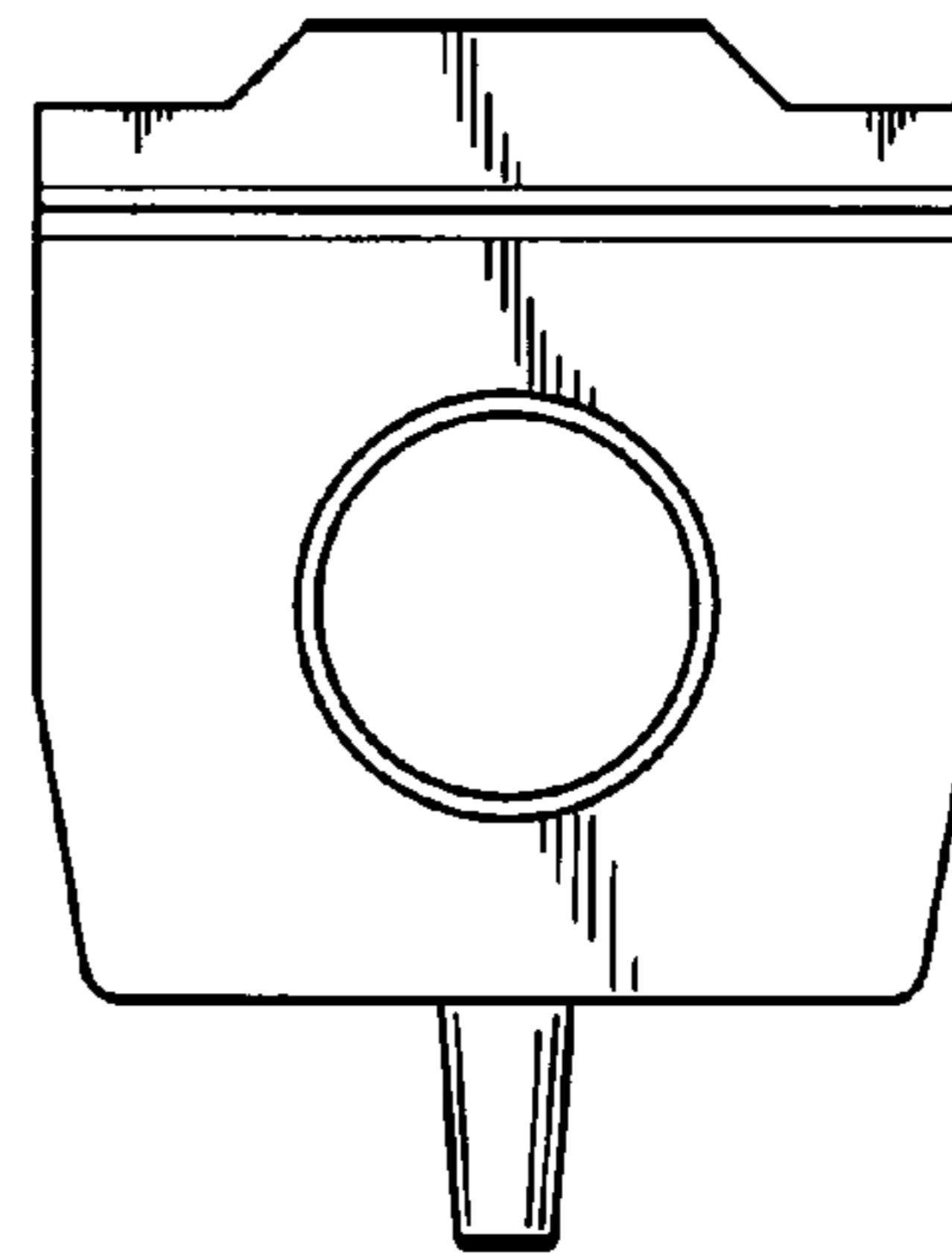


FIG. 4

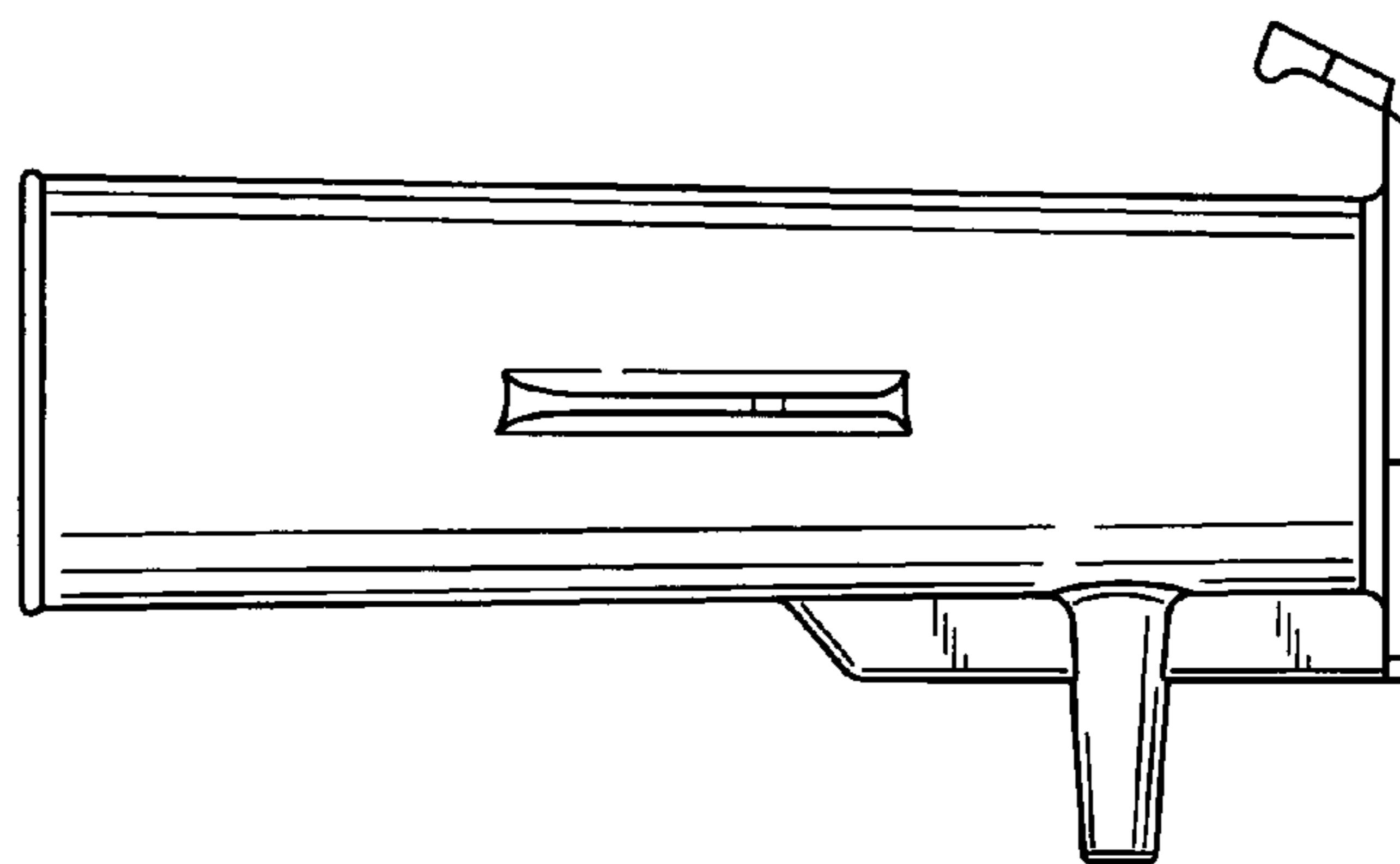


FIG. 5

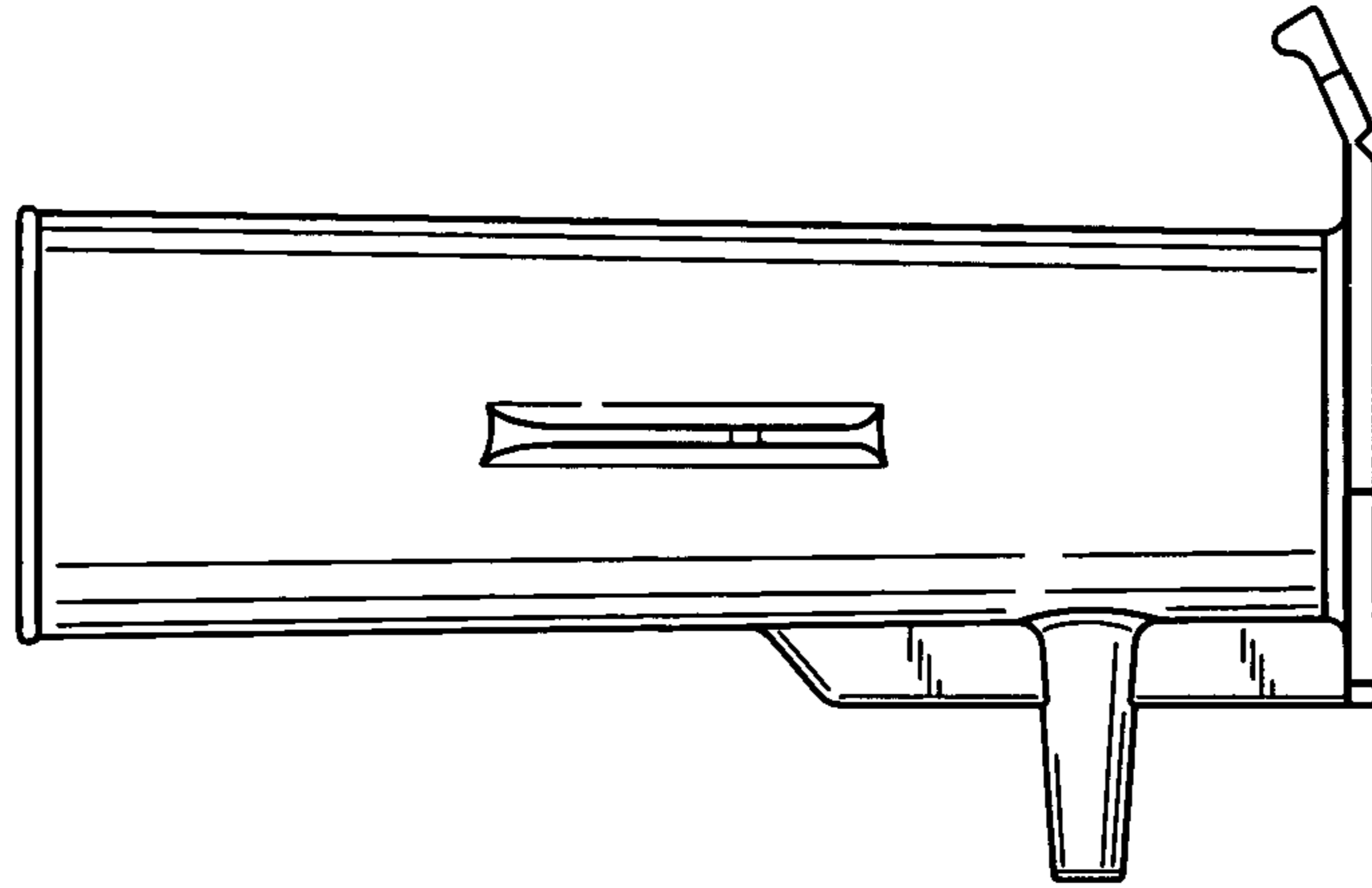


FIG. 6

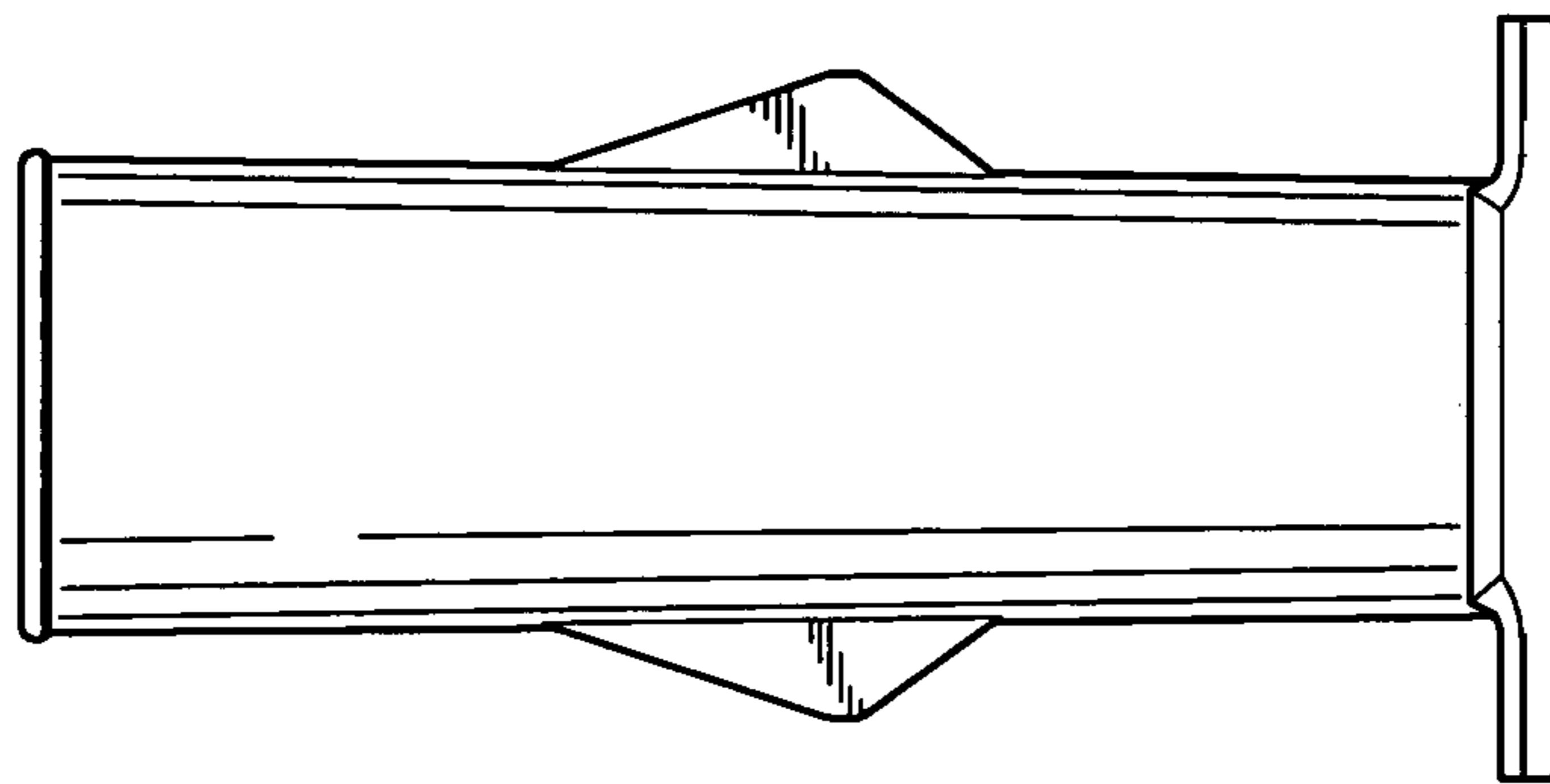


FIG. 7

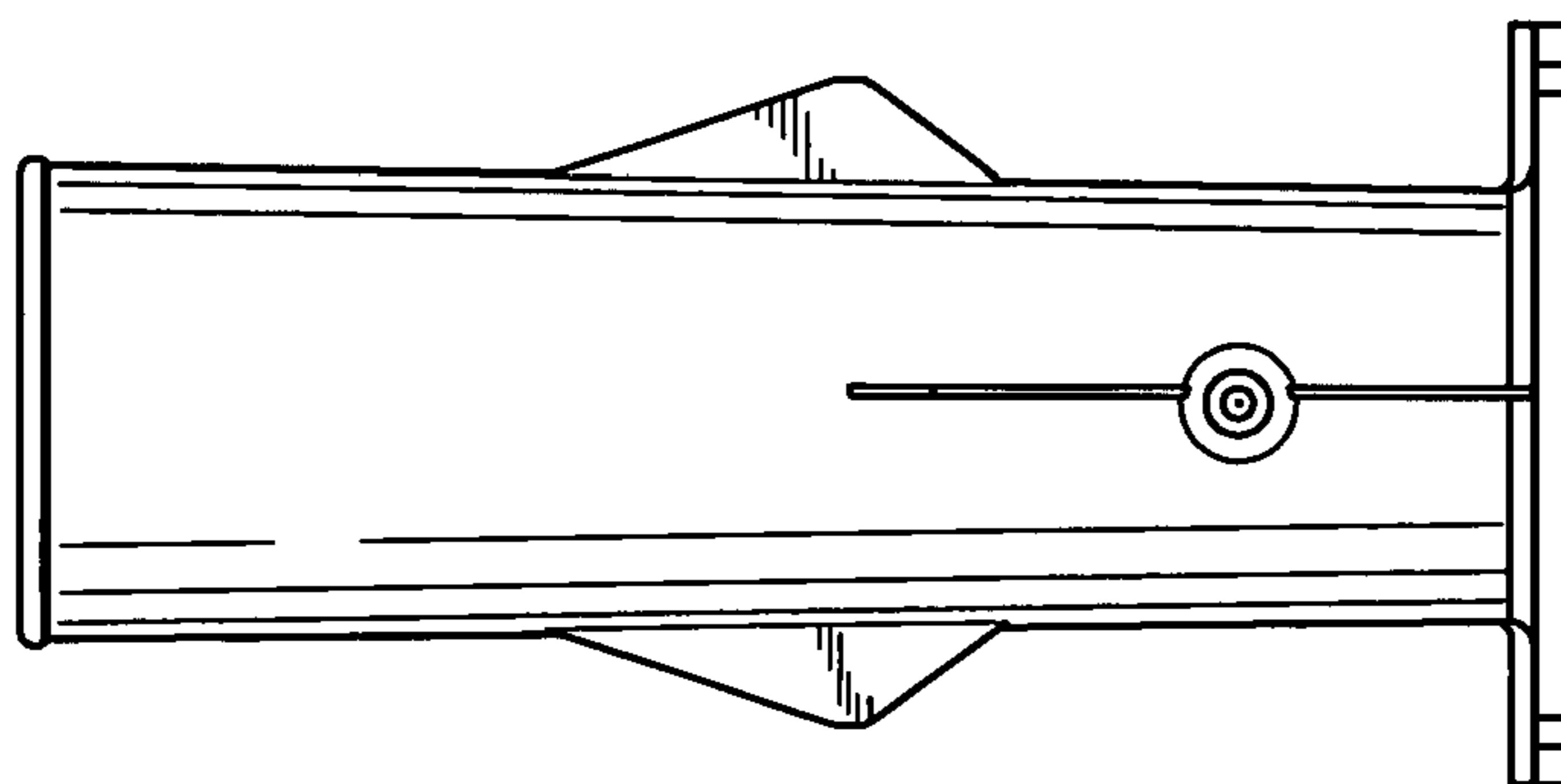


FIG. 8

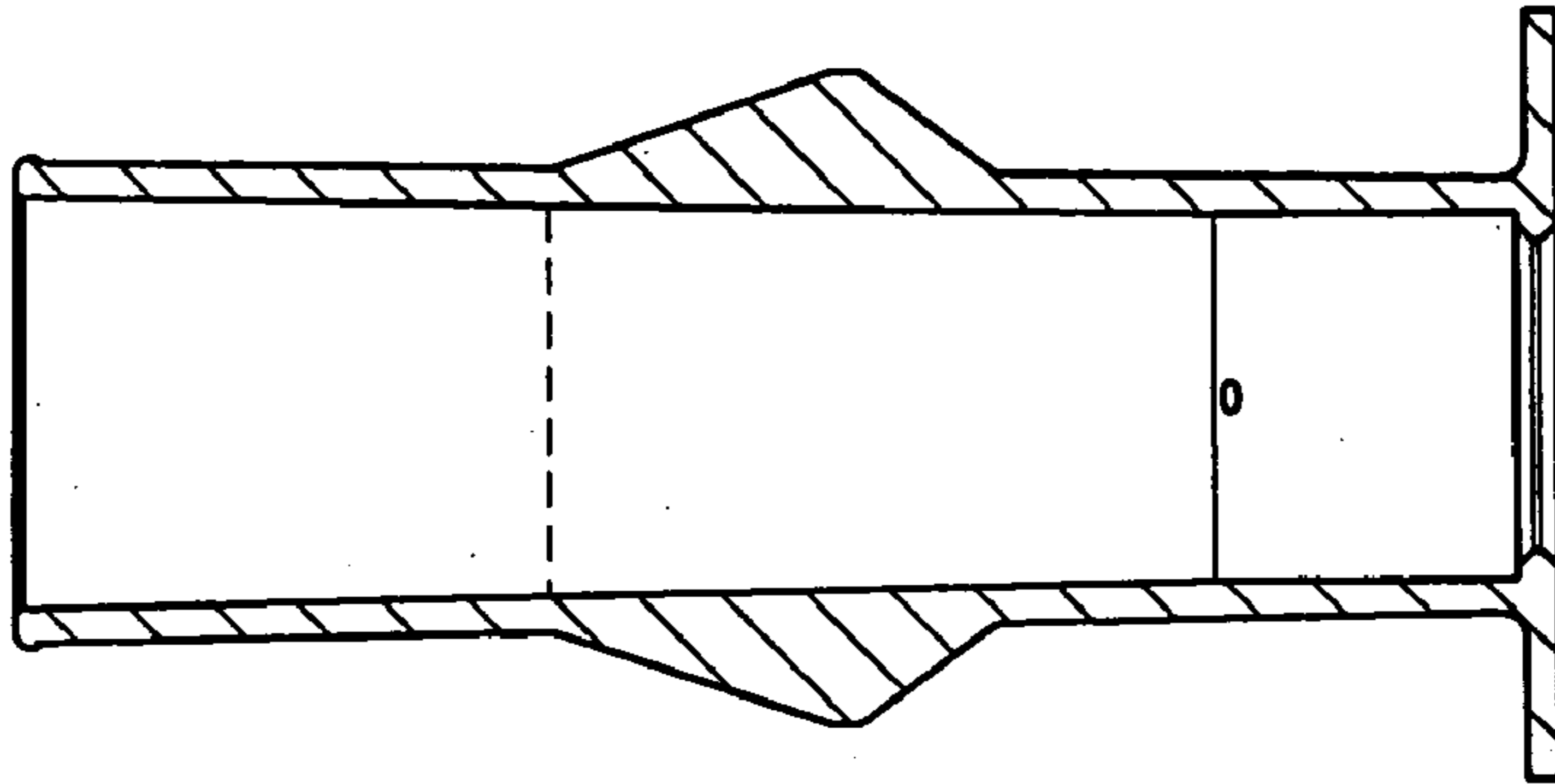


FIG. 9

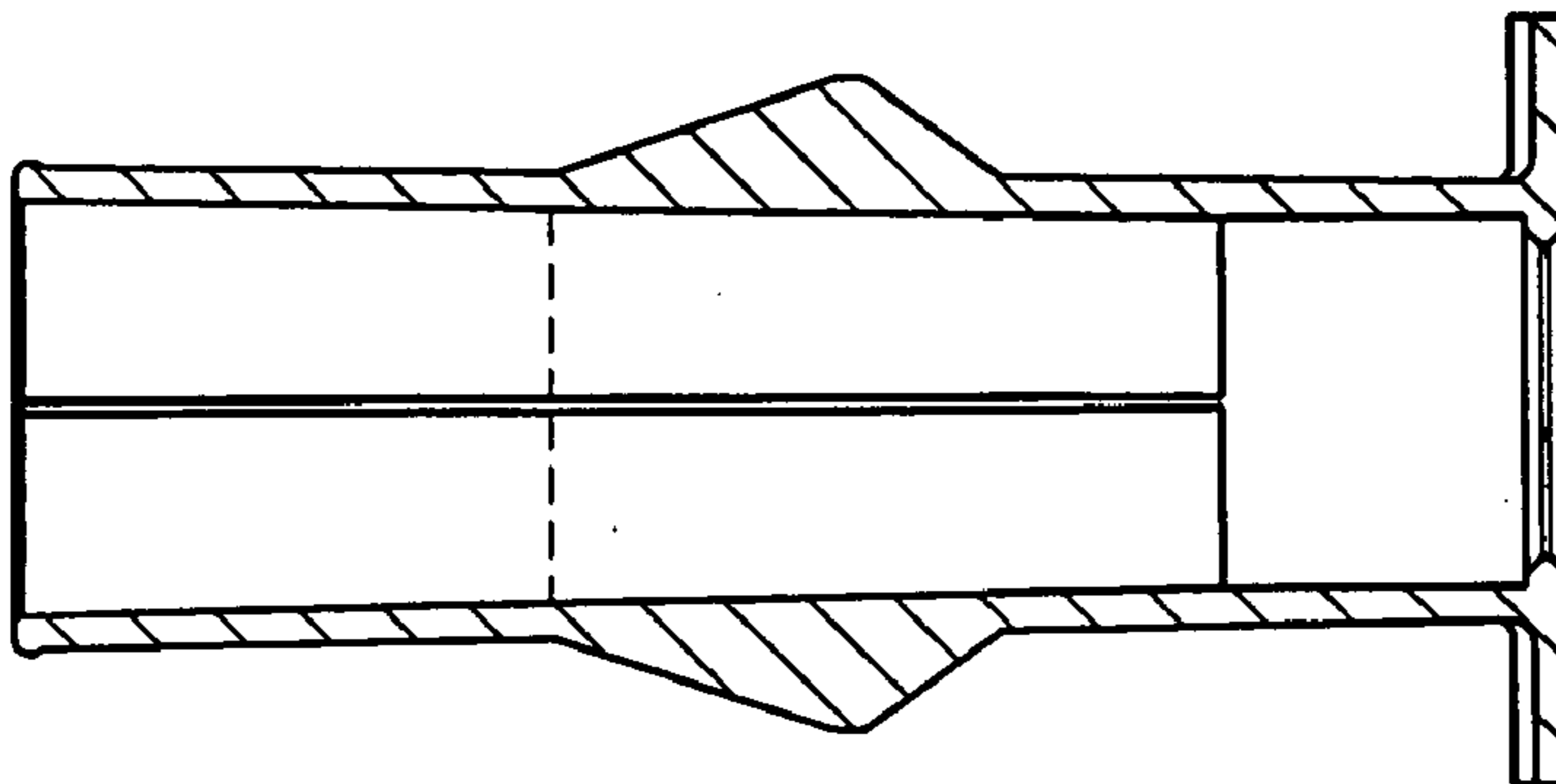


FIG. 10

