



US00D556907S

(12) **United States Design Patent**
Rassoli

(10) **Patent No.:** **US D556,907 S**

(45) **Date of Patent:** **** Dec. 4, 2007**

(54) **DENTAL PROSTHESIS IMPLANT**

(76) Inventor: **Jeff Rassoli**, 2737 E. Regal Park Ave.,
Anaheim, CA (US) 92806

(**) Term: **14 Years**

(21) Appl. No.: **29/254,386**

(22) Filed: **Feb. 21, 2006**

(51) **LOC (8) Cl.** **24-03**

(52) **U.S. Cl.** **D24/156**

(58) **Field of Classification Search** D24/155-157,
D24/133, 107; 623/1.13-1.23, 17.11; 604/1.02,
604/103.02; 433/141.3, 121, 174; 81/119;
D8/388, 394, 387, 312
See application file for complete search history.

(56) **References Cited**

U.S. PATENT DOCUMENTS

5,061,181	A *	10/1991	Niznick	433/174
5,195,892	A	3/1993	Gersberg		
5,334,024	A	8/1994	Niznick		
5,433,606	A	7/1995	Niznick		
5,829,977	A	11/1998	Rogers		
5,984,680	A	11/1999	Rogers		
6,206,922	B1 *	3/2001	Zdeblick et al.	623/17.11
D443,361	S	6/2001	Hurson		
D446,859	S	8/2001	Hurson		
6,375,465	B1 *	4/2002	Engman et al.	433/174
D470,939	S *	2/2003	Daftary	D24/156
6,887,077	B2 *	5/2005	Porter et al.	433/174
7,008,228	B2 *	3/2006	Bjorn et al.	433/174
7,112,063	B2 *	9/2006	Bulard et al.	433/174
7,198,488	B2 *	4/2007	Lang et al.	433/174
2005/0136380	A1	6/2005	Niznick		

OTHER PUBLICATIONS

Diamo Dent Catalog, pp. 12-13, L100B.

* cited by examiner

Primary Examiner—Charles A. Rademaker

(74) *Attorney, Agent, or Firm*—Cislo & Thomas

(57) **CLAIM**

I claim the ornamental design for a dental prosthesis implant, as shown and described.

DESCRIPTION

FIG. 1 is a perspective view of a dental prosthesis implant showing my new design;

FIG. 2 is a top plan view thereof;

FIG. 3 is a left side elevation thereof, side opposite and the front and rear aspects being identical;

FIG. 4 is a bottom plan view thereof;

FIG. 5 is a cross-sectional view thereof taken along line 5—5 in FIG. 2;

FIG. 6 is a perspective view of a modified embodiment of the design shown in FIGS. 1 through 5;

FIG. 7 is a top plan view thereof;

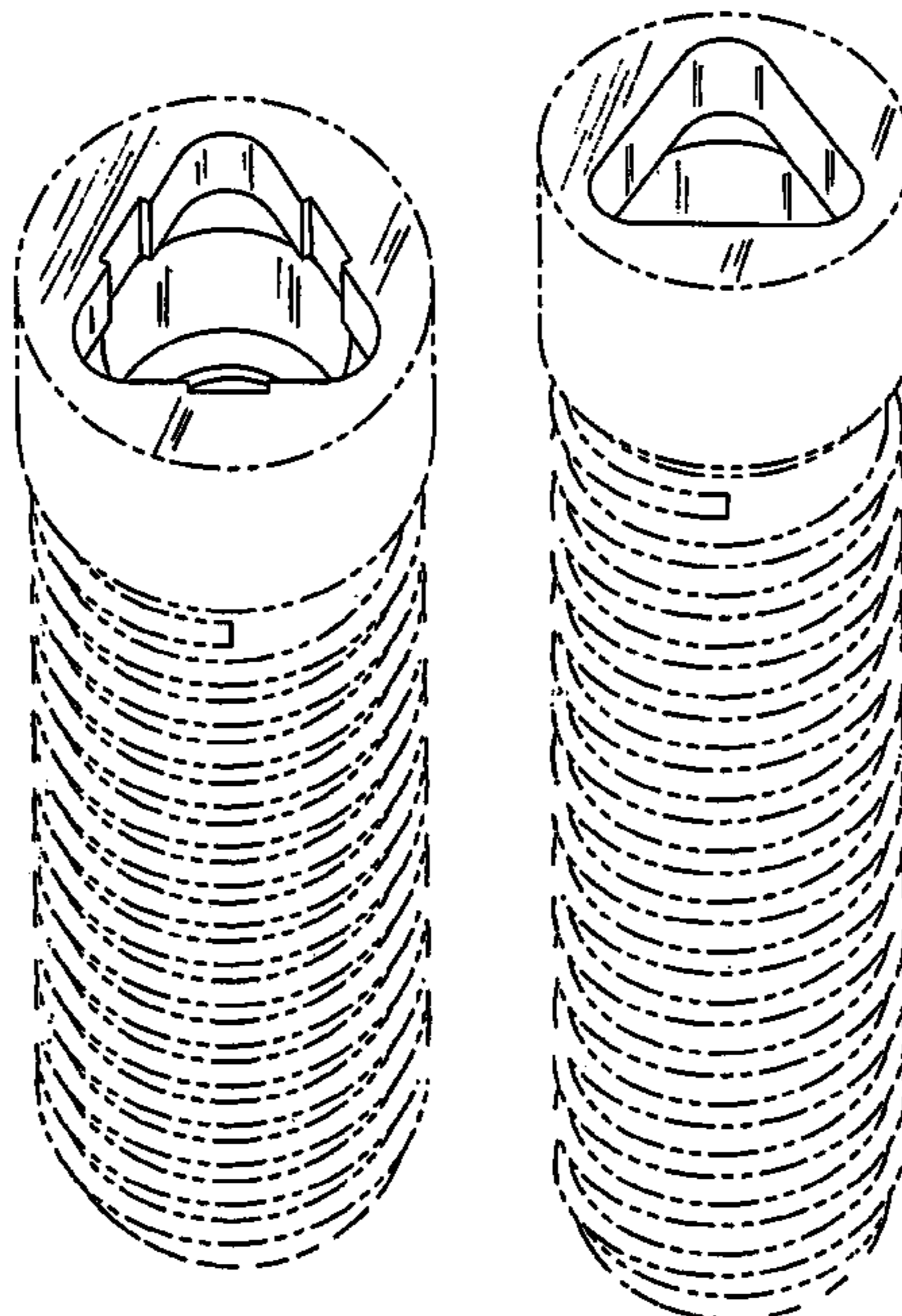
FIG. 8 is a left side elevation thereof, the side opposite and the front and rear aspects being identical;

FIG. 9 is a bottom plan thereof; and,

FIG. 10 is a cross-sectional view thereof taken along line 10—10 in FIG. 7.

The broken line showing of portions of the design is included for the purpose of illustrating environmental structure and forms no part of the claimed design.

1 Claim, 4 Drawing Sheets



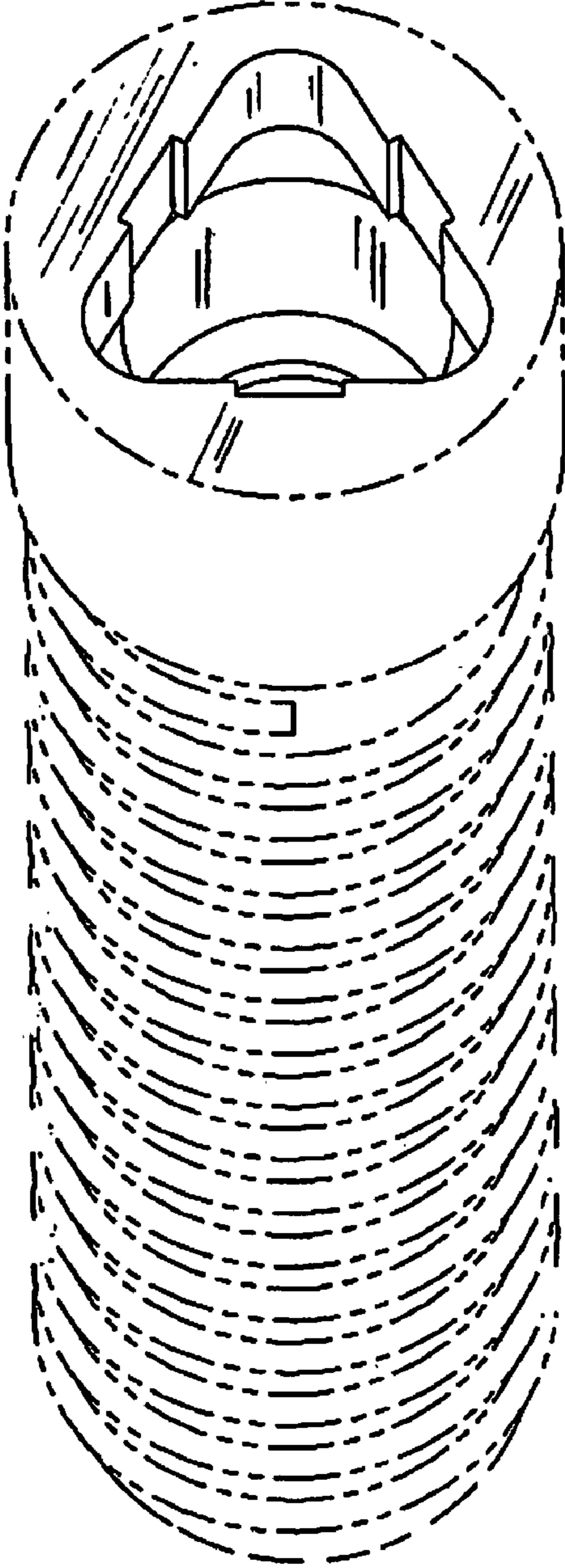


FIG. 1

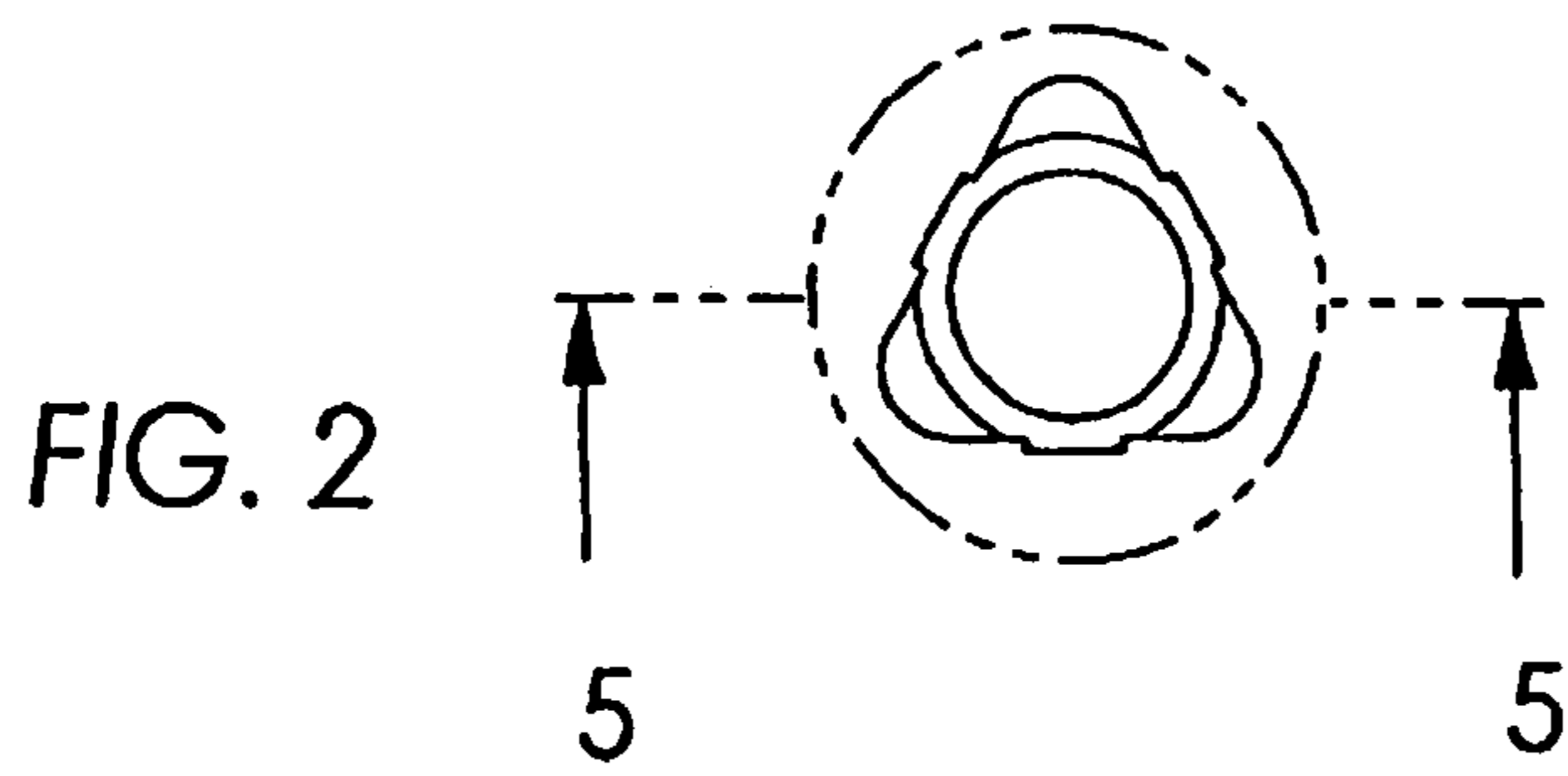


FIG. 3

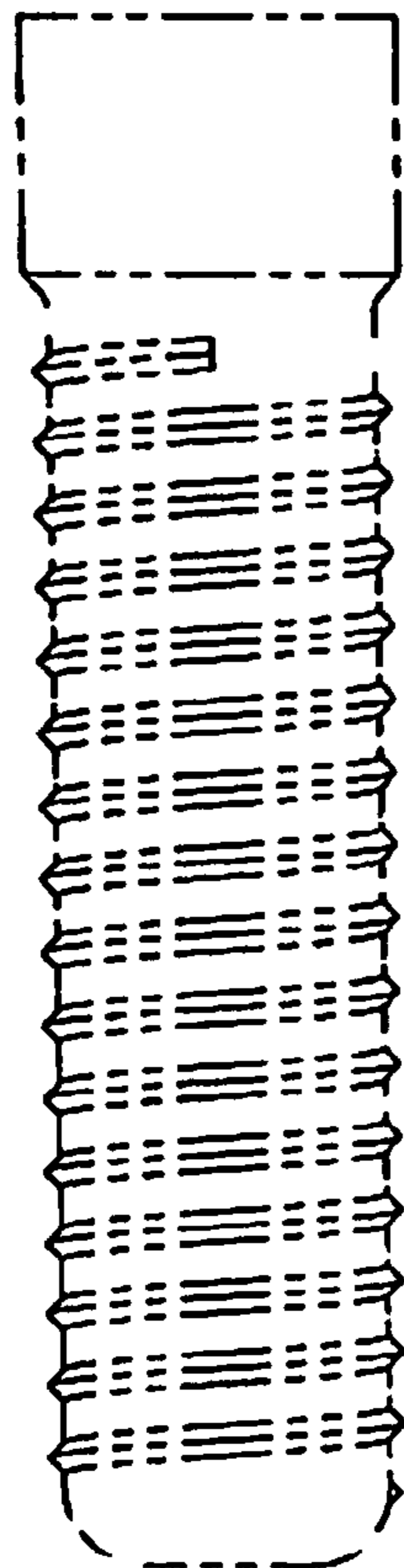


FIG. 4

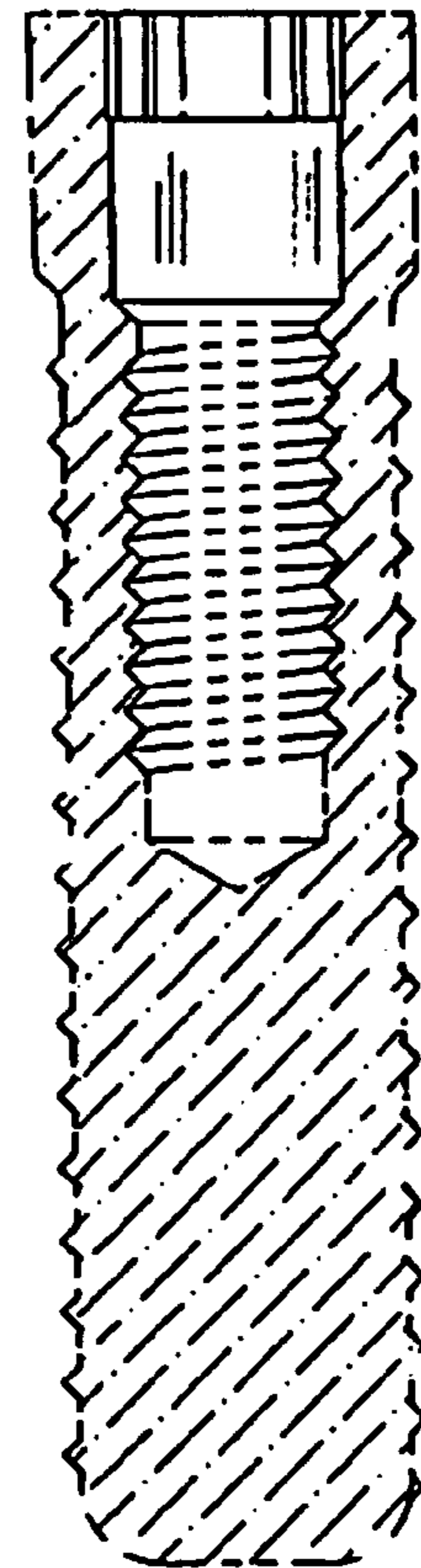
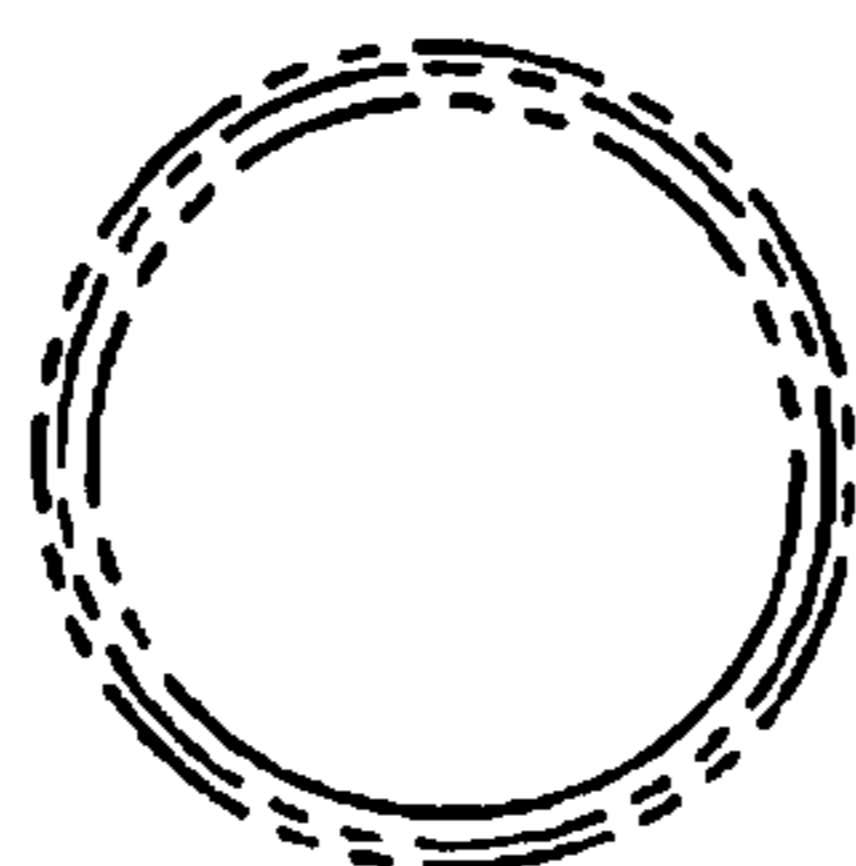


FIG. 5

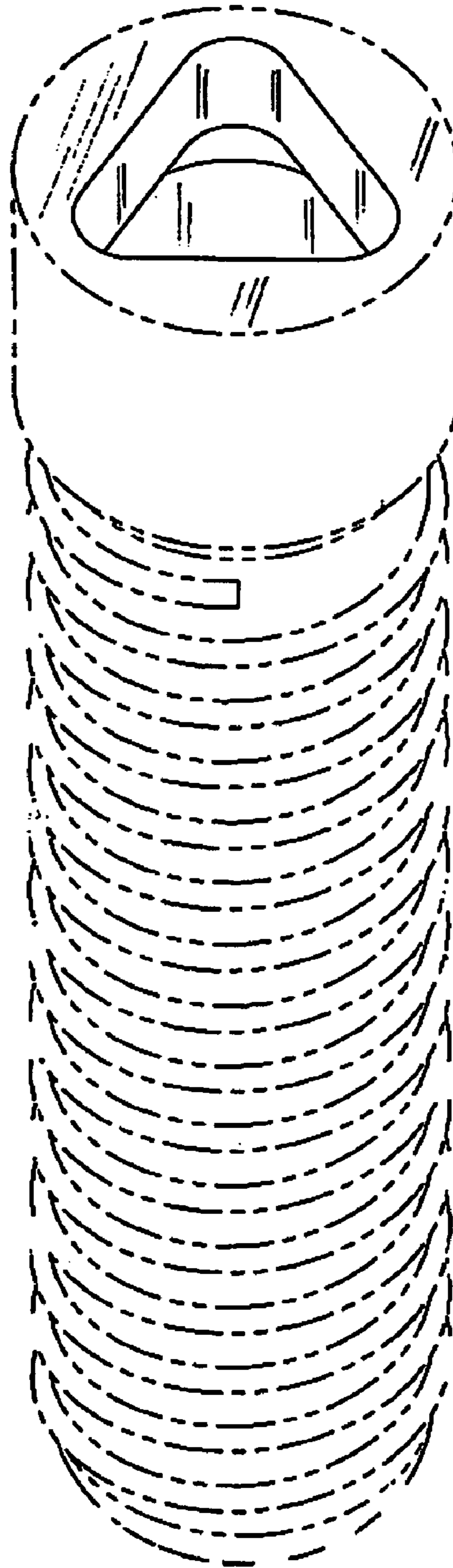


FIG .6

