

US00D556904S

(12) **United States Design Patent**
Clarke

(10) **Patent No.:** **US D556,904 S**

(45) **Date of Patent:** **** Dec. 4, 2007**

(54) **AUTOMATIC CLAMP DEVICE WITH
OFFSET RELEASE TAB**

D497,183 S * 10/2004 Chiu D19/65
6,840,492 B1 * 1/2005 Boyne-Aitken 251/7
2002/0165503 A1 11/2002 Morris et a.

(75) Inventor: **Christopher J. Clarke**, Basingstoke
(GB)

* cited by examiner

(73) Assignee: **Cardinal Health 303, Inc.**, San Diego,
CA (US)

Primary Examiner—Louis S. Zarfaz

Assistant Examiner—Eric L. Goodman

(**) Term: **14 Years**

(74) *Attorney, Agent, or Firm*—McDermott Will & Emery
LLP

(21) Appl. No.: **29/209,509**

(22) Filed: **Jul. 16, 2004**

(57) **CLAIM**

The ornamental design for an automatic clamp device with
offset release tab, as shown and described.

(51) **LOC (8) Cl.** **24-02**

(52) **U.S. Cl.** **D24/129**

(58) **Field of Classification Search** D24/129,
D24/143; 604/249–250, 256, 34, 151, 153;
D8/394, 395; 251/7

See application file for complete search history.

DESCRIPTION

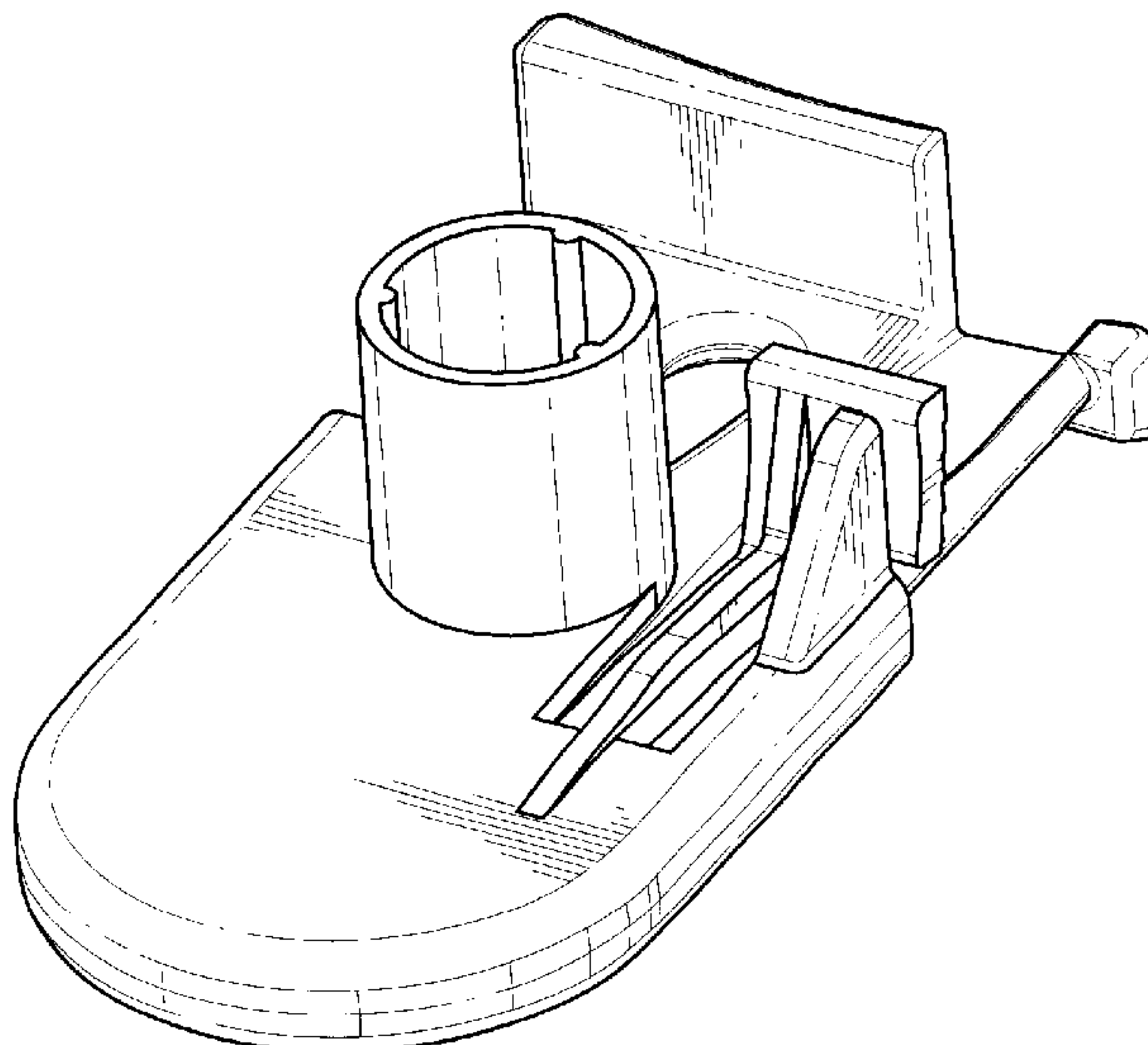
FIG. 1 is a top, rear, left-side perspective view of an
automatic clamp device with offset release tab showing my
new design with a slide clamp shown in open position;
FIG. 2 is a top, front, right-side perspective view thereof;
FIG. 3 is a bottom, rear, right-side perspective view thereof;
FIG. 4 is a bottom plan view thereof;
FIG. 5 is a left-side elevational view thereof;
FIG. 6 is a right-side elevational view thereof;
FIG. 7 is a rear elevational view thereof;
FIG. 8 is a front elevational view thereof;
FIG. 9 is a top, rear, left-side perspective view of the
automatic clamp device with offset release tab showing my
new design with a slide clamp shown in closed position;
FIG. 10 is a top, front, right-side perspective view thereof;
FIG. 11 is a bottom, rear, right-side perspective view thereof;
FIG. 12 is a bottom plan view thereof;
FIG. 13 is a left-side elevational view thereof;
FIG. 14 is a right-side elevational view thereof;
FIG. 15 is a rear elevational view thereof; and,
FIG. 16 is a front elevational view thereof.

(56) **References Cited**

U.S. PATENT DOCUMENTS

4,247,076	A	*	1/1981	Larkin	251/7
4,248,401	A	*	2/1981	Mittleman	251/7
4,398,542	A		8/1983	Cunningham et al.		
4,404,440	A		9/1983	Busche et al.		
D291,353	S	*	8/1987	Conero et al.	D24/129
4,932,629	A	*	6/1990	Rodomista et al.	251/7
D335,078	S	*	4/1993	Hampshire	D8/395
5,437,635	A		8/1995	Fields et al.		
D362,062	S	*	9/1995	Botts et al.	D24/129
5,453,098	A		9/1995	Botts et al.		
5,967,484	A		10/1999	Morris et al.		
6,013,057	A	*	1/2000	Danby et al.	604/131
6,364,279	B1		4/2002	Neftel et al.		
D465,843	S	*	11/2002	Guala	D24/129
6,629,955	B2		10/2003	Morris et al.		

1 Claim, 8 Drawing Sheets



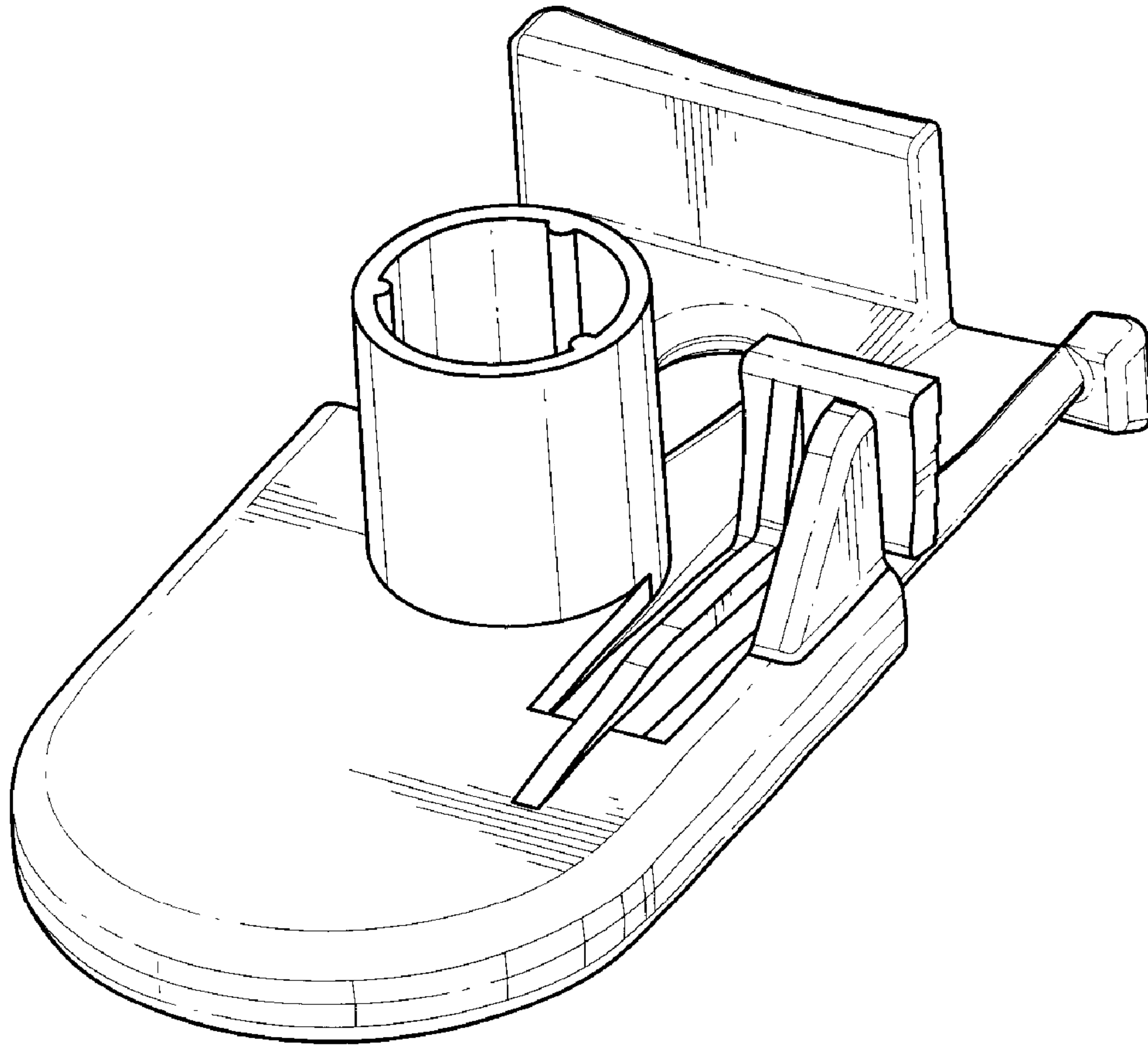


FIG. 1

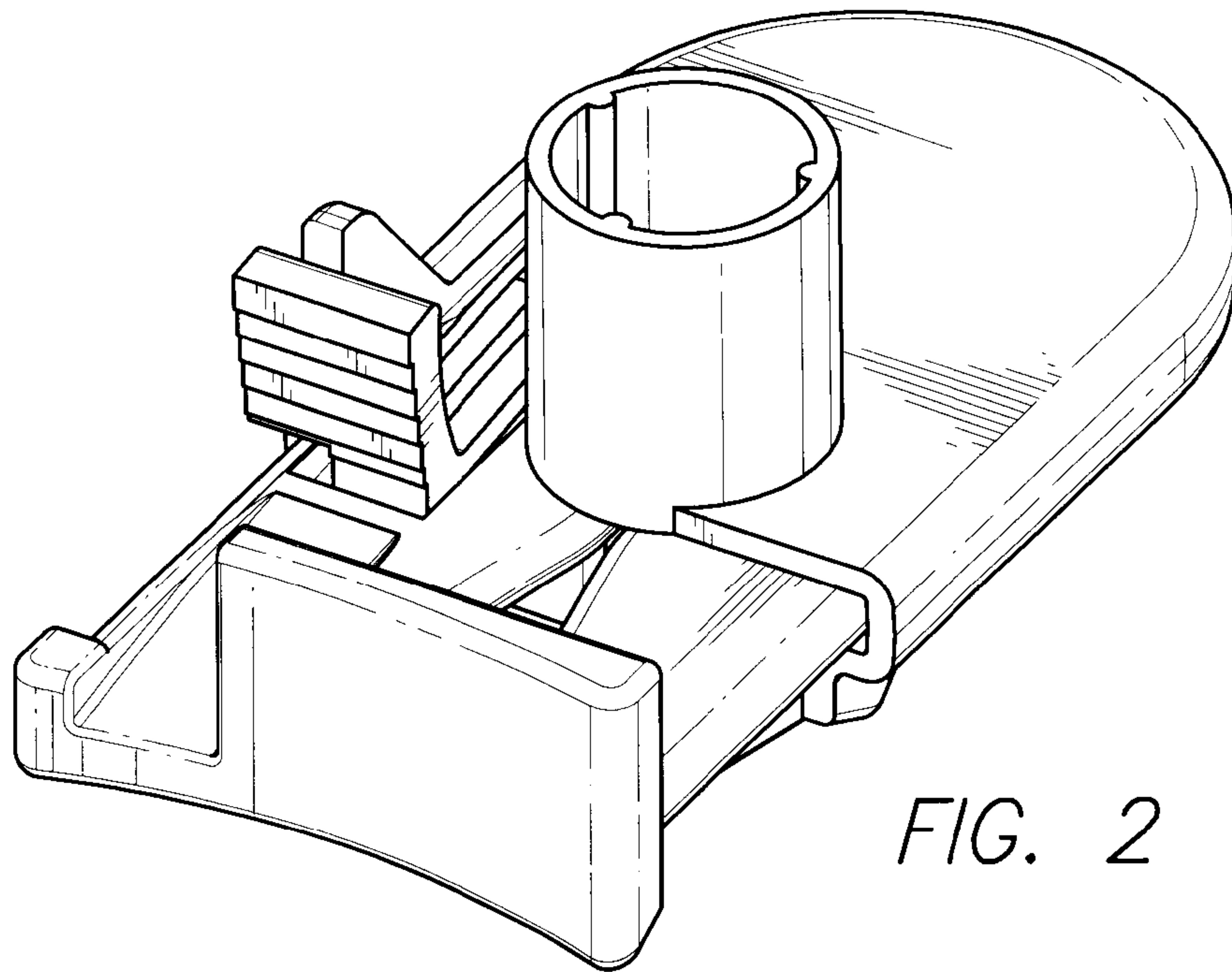


FIG. 2

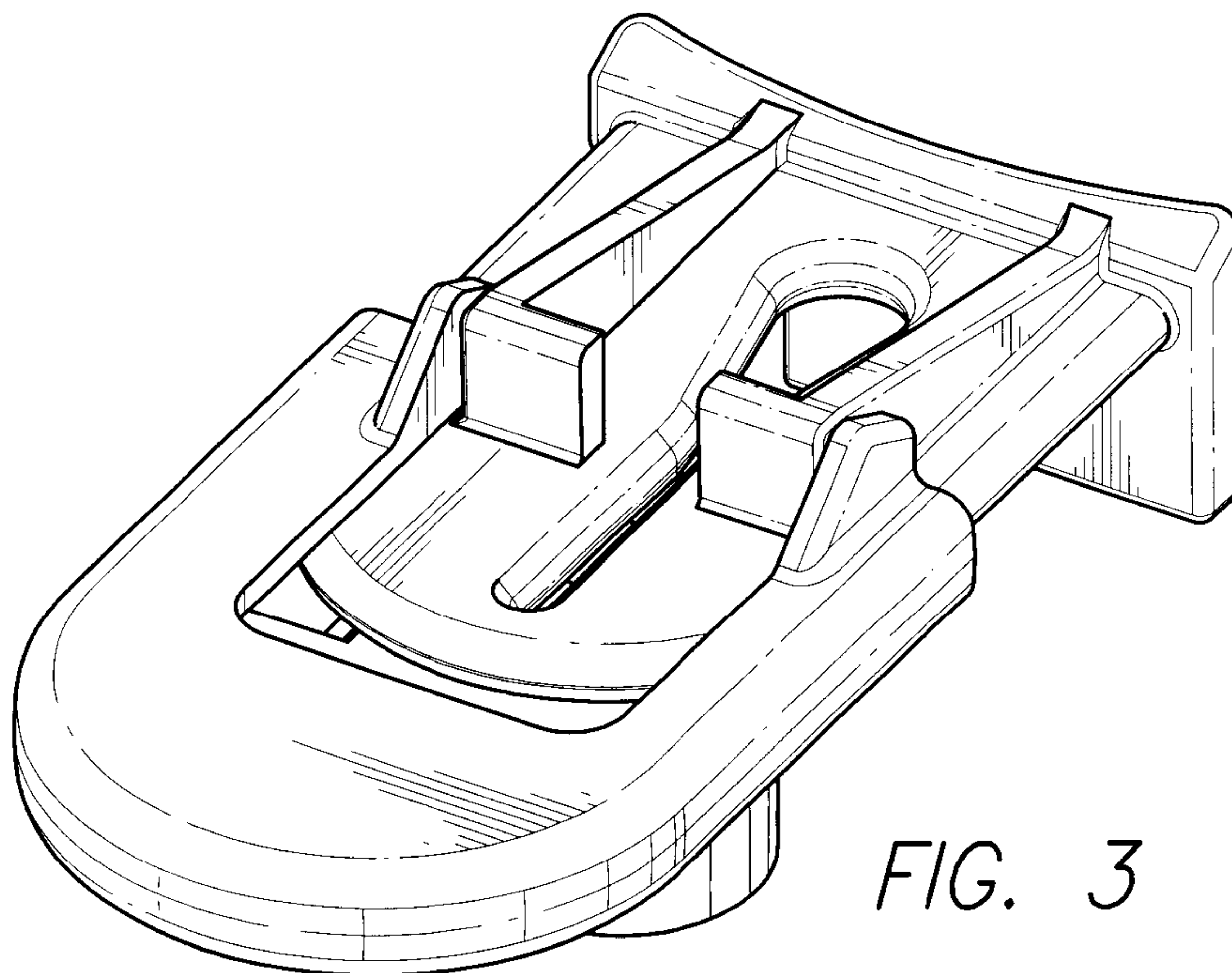


FIG. 3

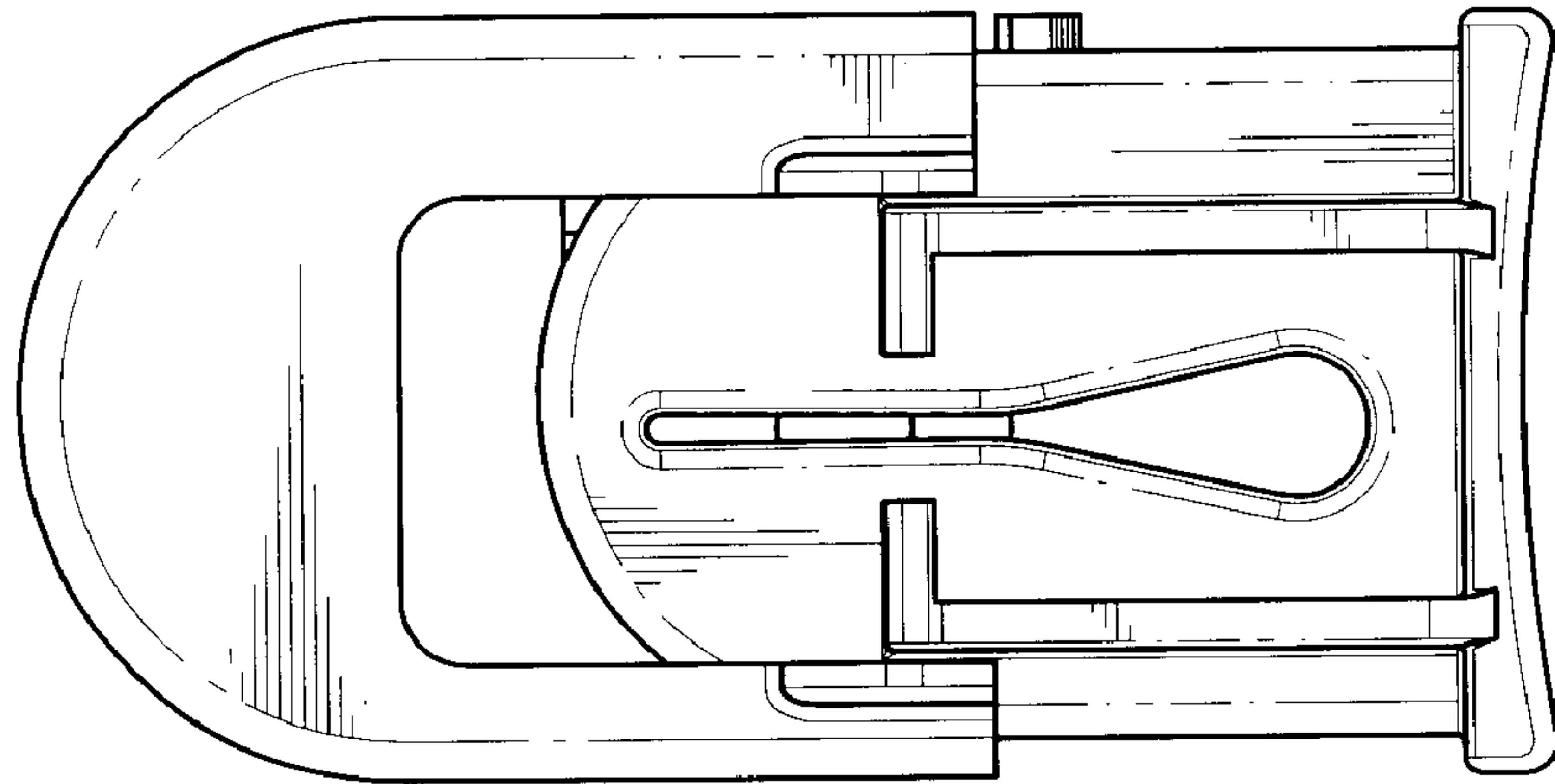


FIG. 4

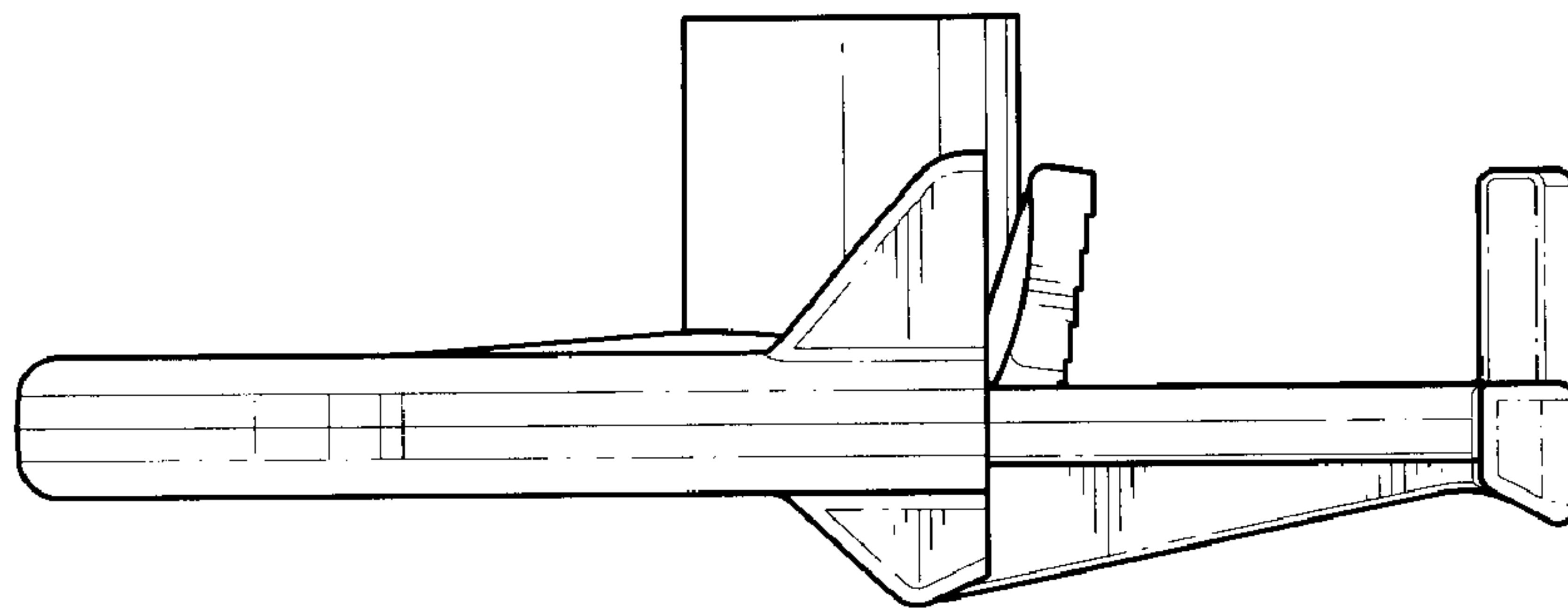


FIG. 5

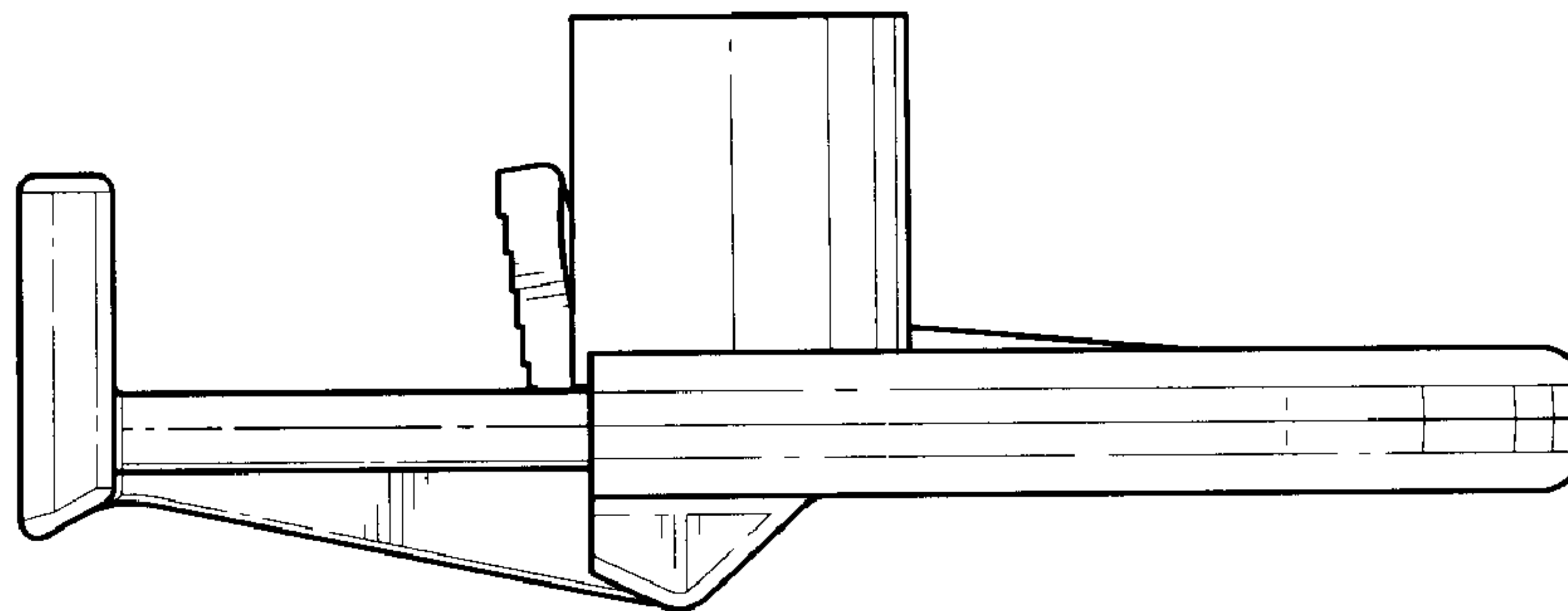


FIG. 6

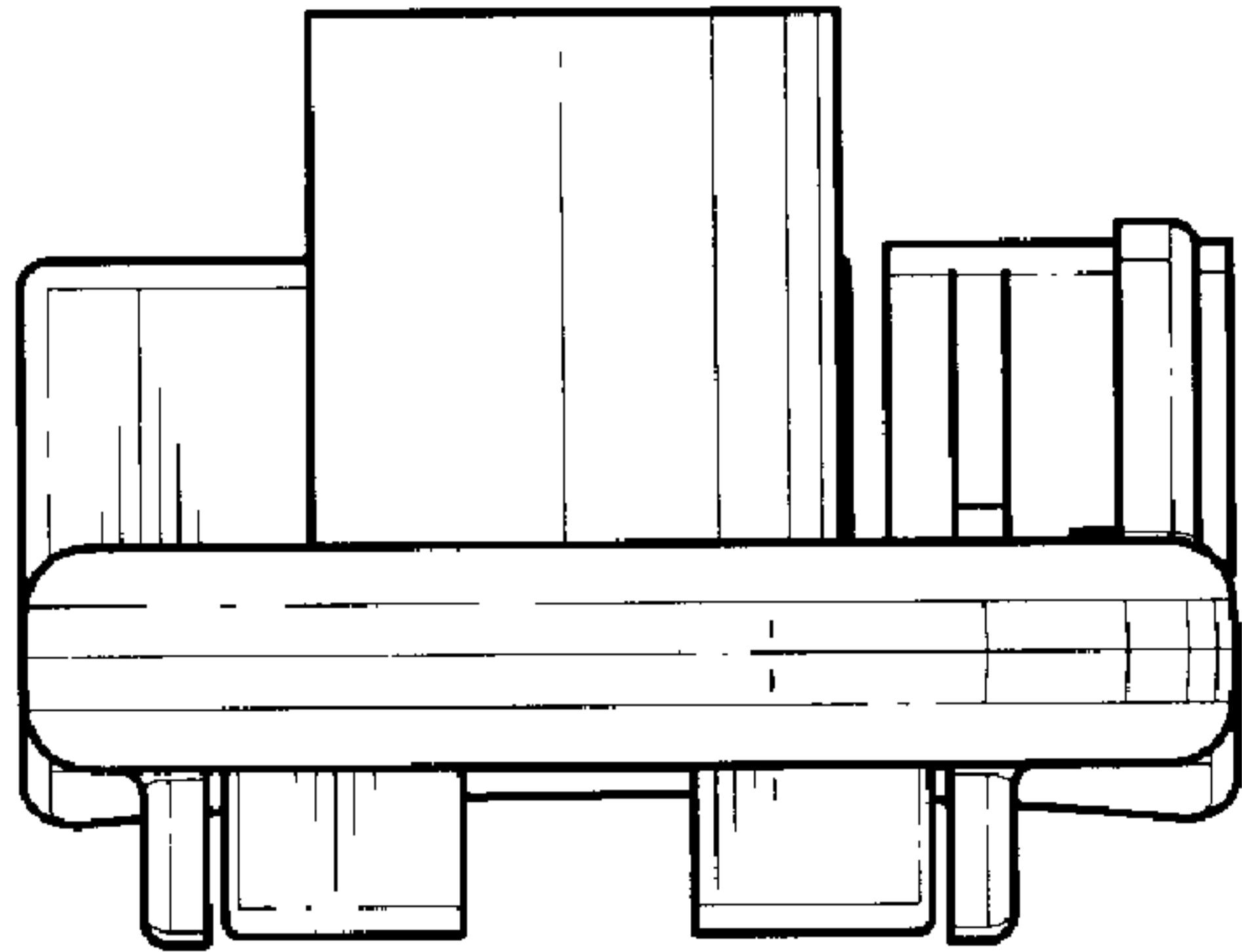
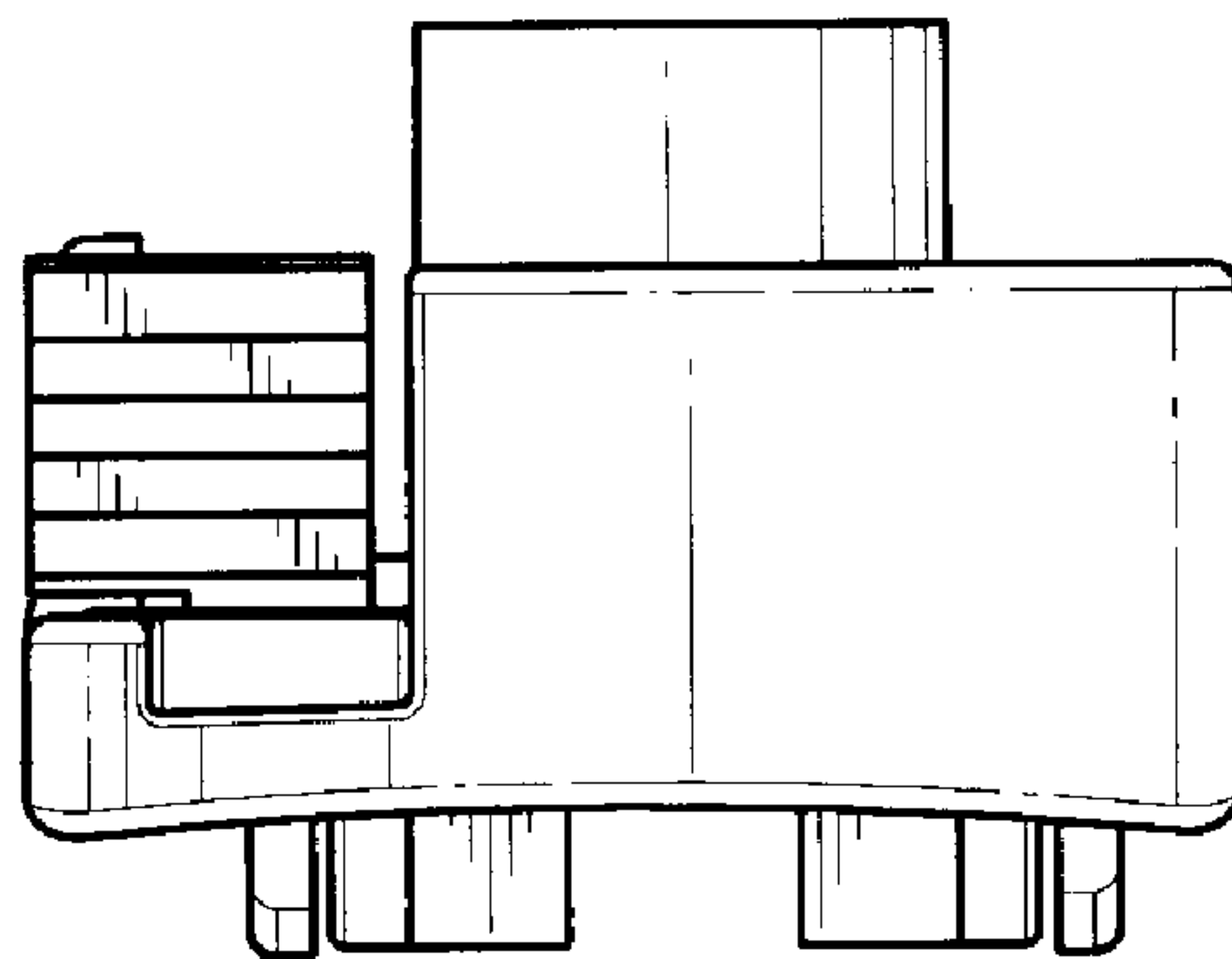


FIG. 7

FIG. 8



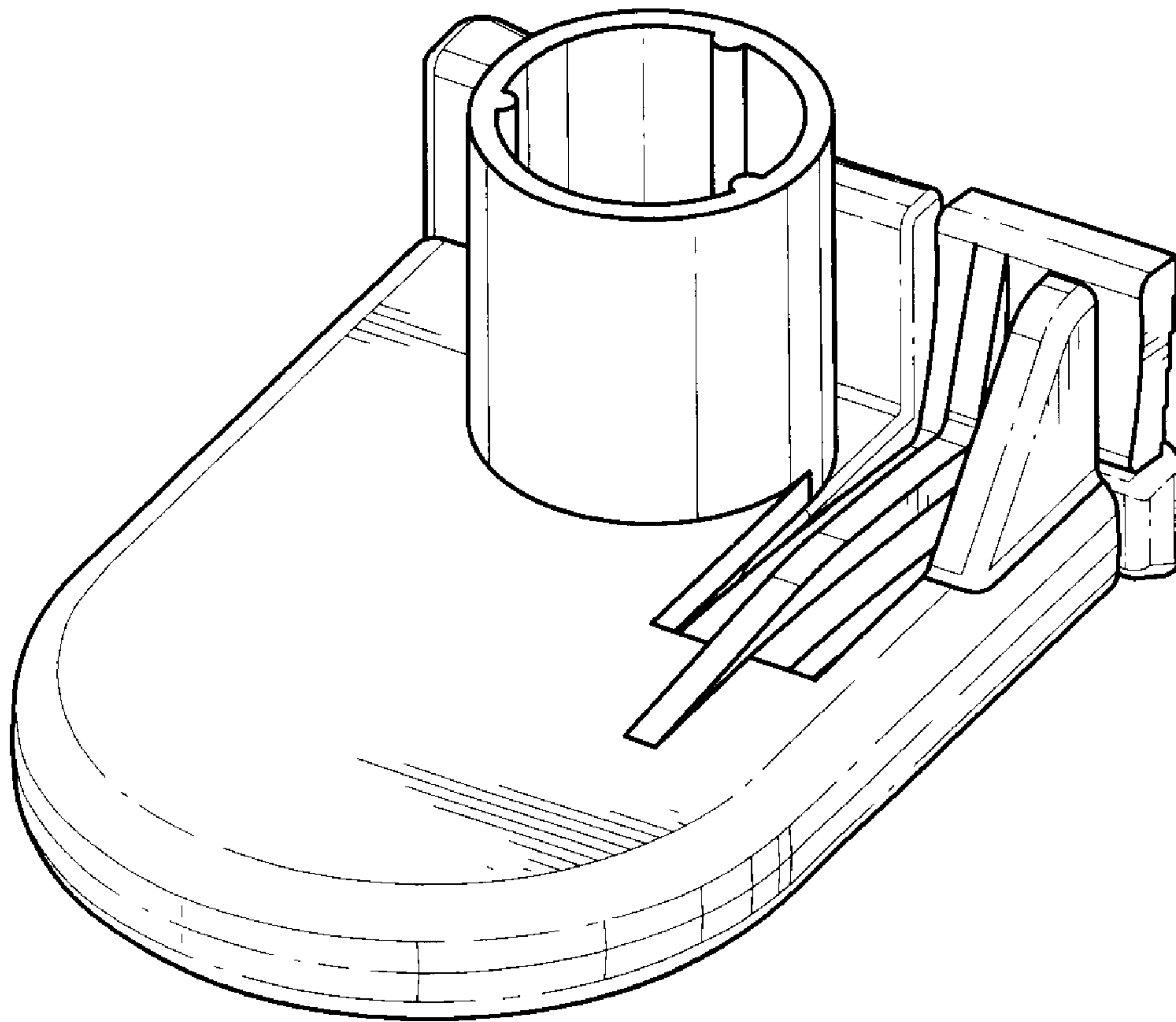


FIG. 9

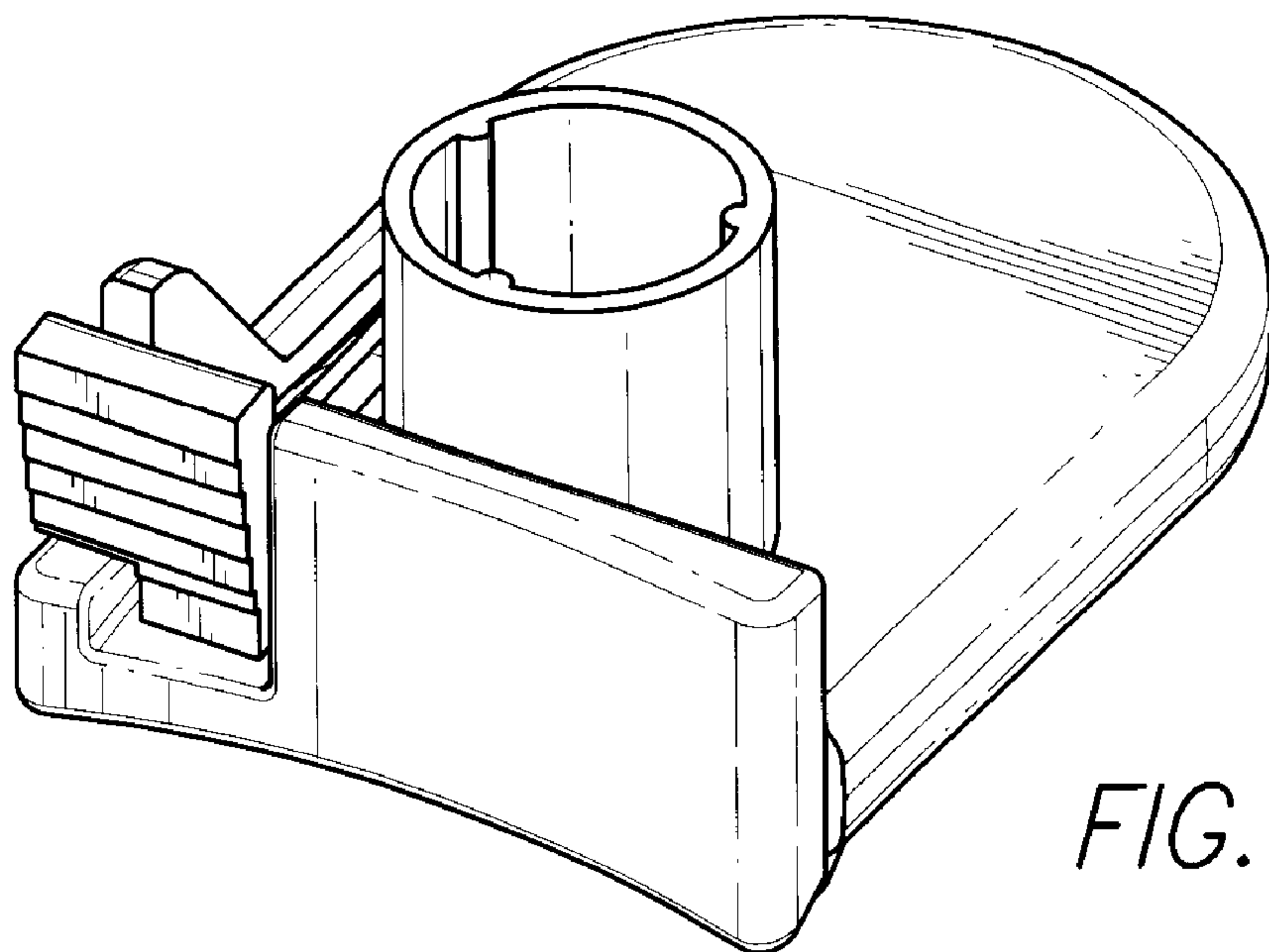


FIG. 10

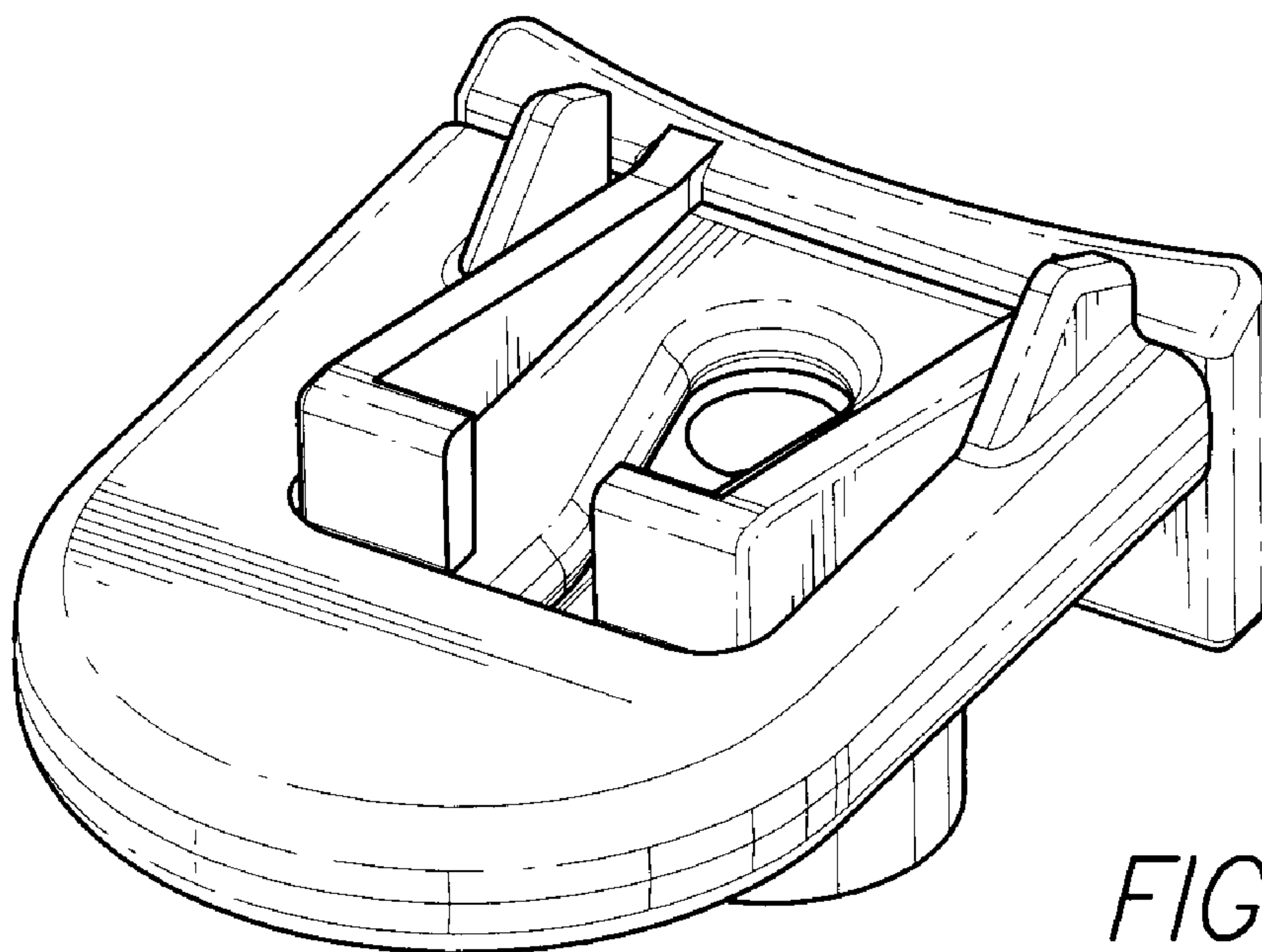


FIG. 11

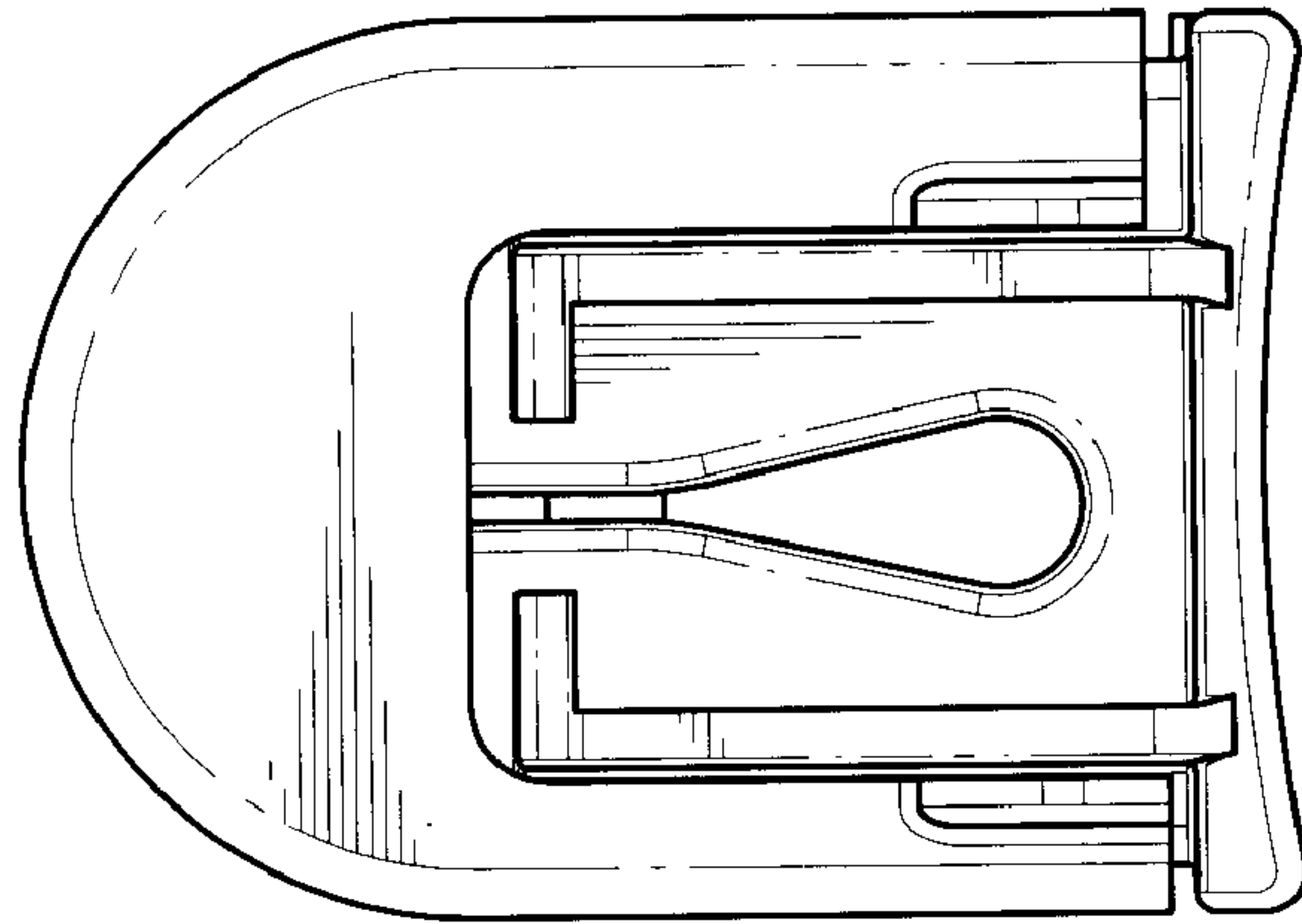


FIG. 12

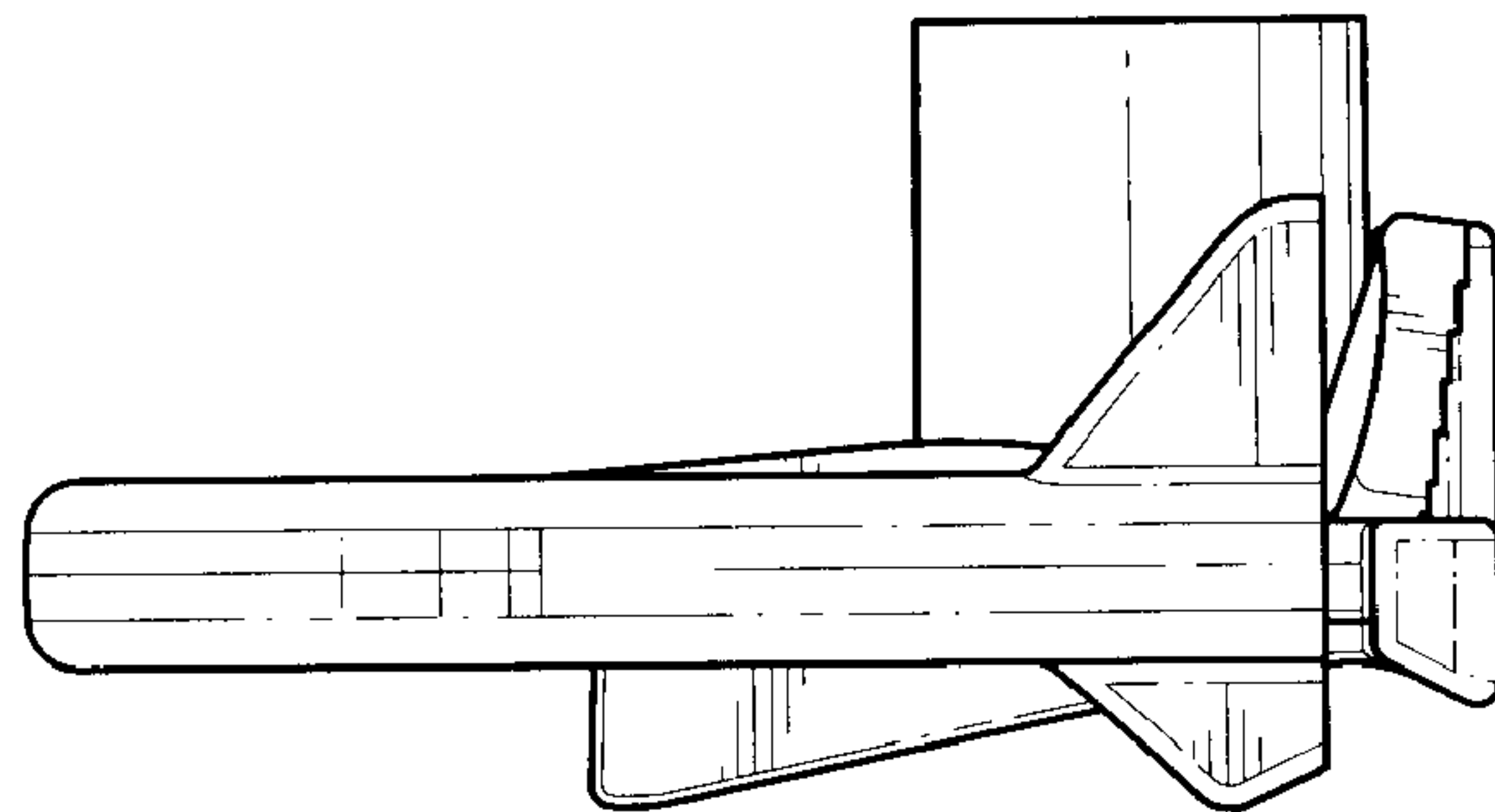


FIG. 13

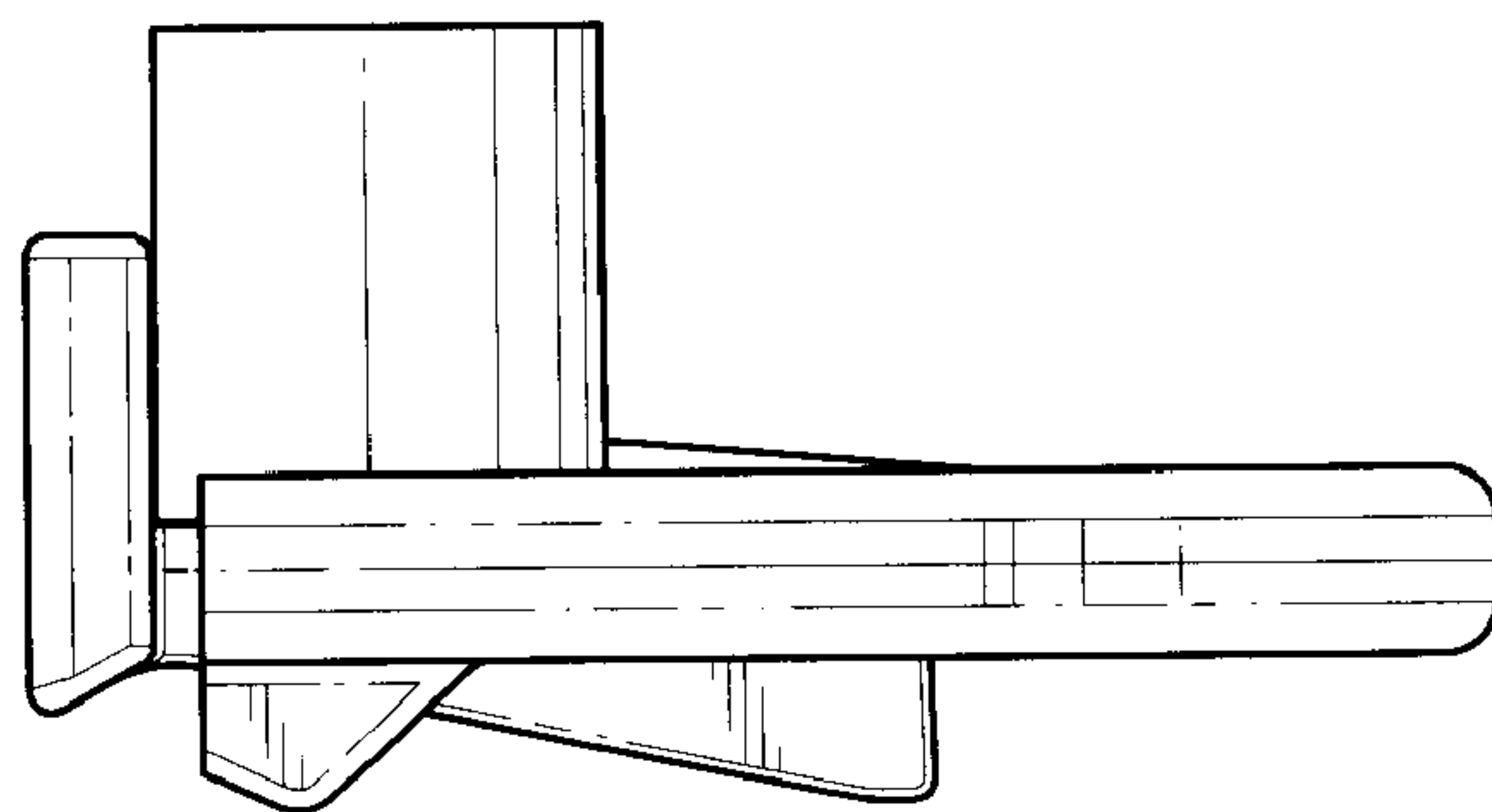


FIG. 14

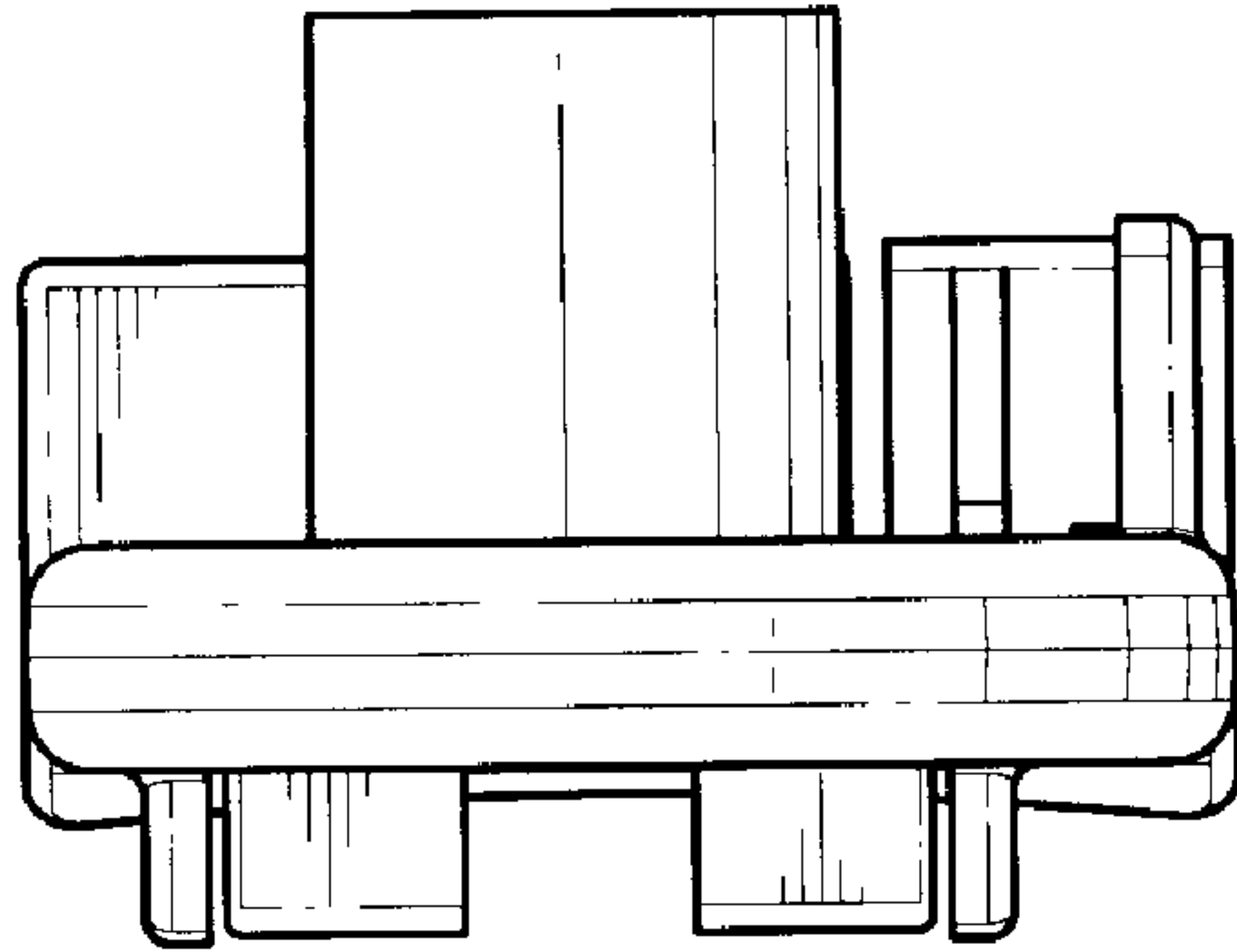


FIG. 15

FIG. 16

