



US00D556903S

(12) **United States Design Patent** (10) **Patent No.:** **US D556,903 S**
Bloc (45) **Date of Patent:** **** Dec. 4, 2007**

(54) **NASAL DISPENSER**

D448,474 S * 9/2001 Jansen et al. D24/114
6,530,371 B2 * 3/2003 Jansen et al. 604/218

(75) Inventor: **Richard Bloc**, Derchigny-Graincourt (FR)

FOREIGN PATENT DOCUMENTS

(73) Assignee: **Rexam Dispensing Systems, Le Treport** (FR)

WO WO 2006/106208 A2 10/2006

(**) Term: **14 Years**

* cited by examiner

(21) Appl. No.: **29/238,283**

Primary Examiner—Louis S. Zarfes
Assistant Examiner—Daniel Yu

(22) Filed: **Sep. 13, 2005**

(74) *Attorney, Agent, or Firm*—Fross Zelnick Lehrman & Zissu, P.C.; Charles T. J. Weigell, Esq.

(30) **Foreign Application Priority Data**

(57) **CLAIM**

May 3, 2005 (EP) 000334651

The ornamental design for a nasal dispenser, as shown and described.

(51) **LOC (8) Cl.** **24-02**

DESCRIPTION

(52) **U.S. Cl.** **D24/114**

(58) **Field of Classification Search** D24/112-114,
D24/146; 604/211, 218, 207, 208, 209, 506,
604/185, 198, 132, 134-137, 93.01, 94.01;
128/200.14, 200.22; 222/321.6

FIG. 1 is a front perspective view of a nasal dispenser, showing my new design;

See application file for complete search history.

FIG. 2 is a front view of the nasal dispenser shown in FIG. 1;

(56) **References Cited**

U.S. PATENT DOCUMENTS

- 4,923,448 A * 5/1990 Ennis, III 604/239
- 4,962,868 A * 10/1990 Borchard 128/200.14
- 5,289,818 A * 3/1994 Citterio et al. 128/200.14
- 5,429,600 A * 7/1995 Heinke 604/516
- 5,601,077 A * 2/1997 Imbert 128/200.14
- 5,662,098 A * 9/1997 Yoshida 128/200.22
- D447,559 S * 9/2001 Jansen et al. D24/114

FIG. 3 is a rear view of the nasal dispenser shown in FIG. 1;

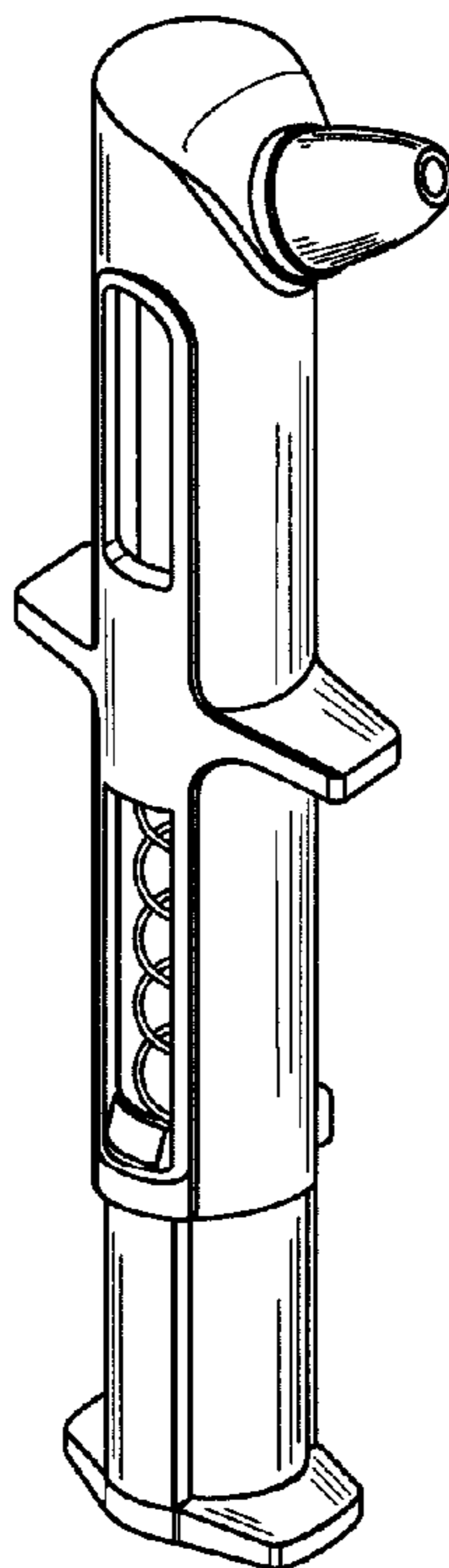
FIG. 4 is a left side view of the nasal dispenser shown in FIG. 1 (with the right side view being a mirror image);

FIG. 5 is a top view of the nasal dispenser shown in FIG. 1;

FIG. 6 is a bottom view of the nasal dispenser shown in FIG. 1; and,

FIG. 7 is bottom perspective view of the nasal dispenser shown in FIG. 1.

1 Claim, 3 Drawing Sheets



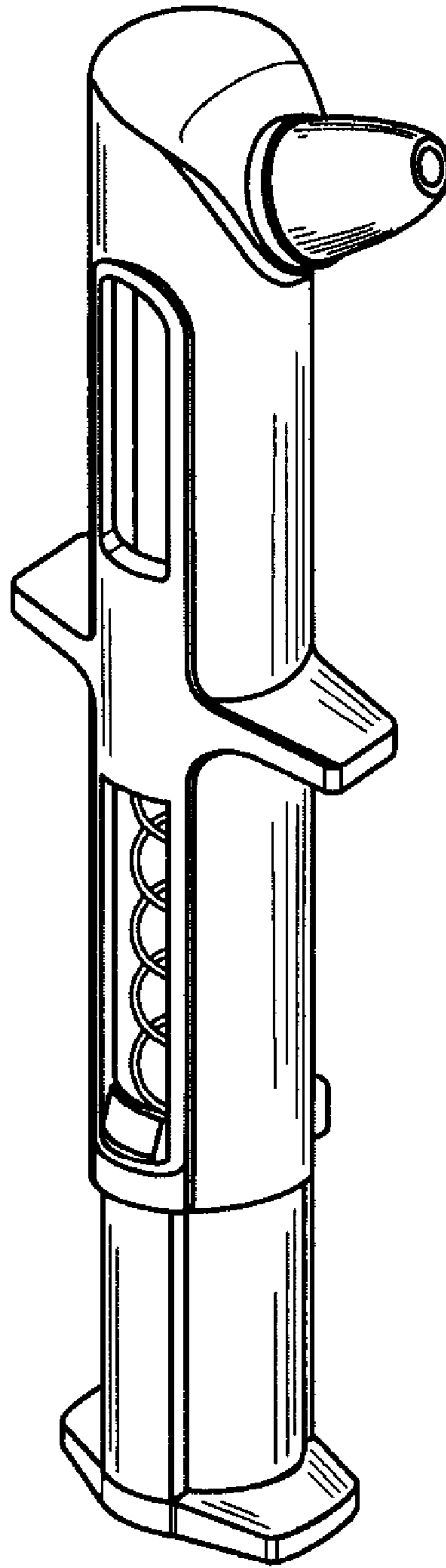


FIG. 1

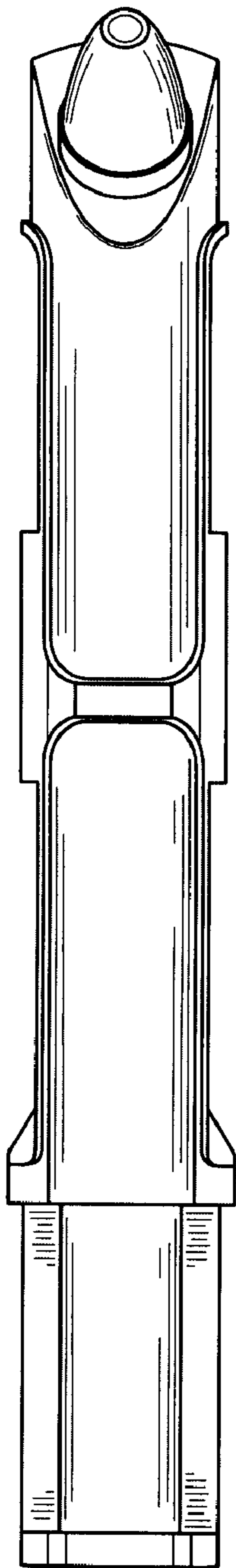


FIG. 2

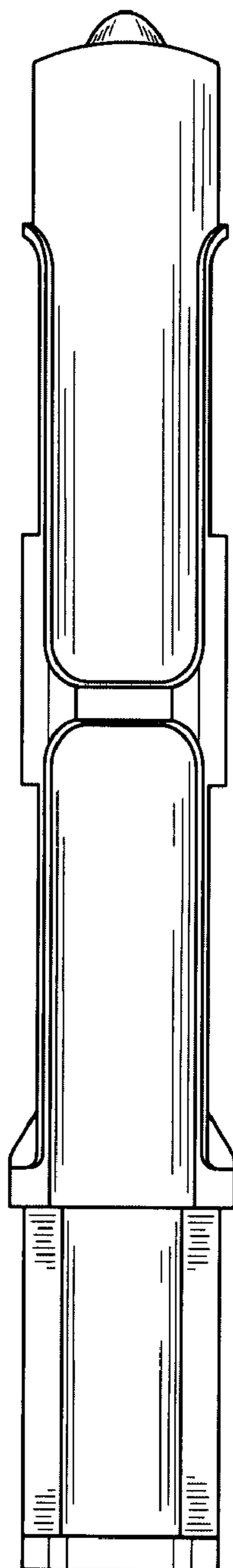


FIG. 3

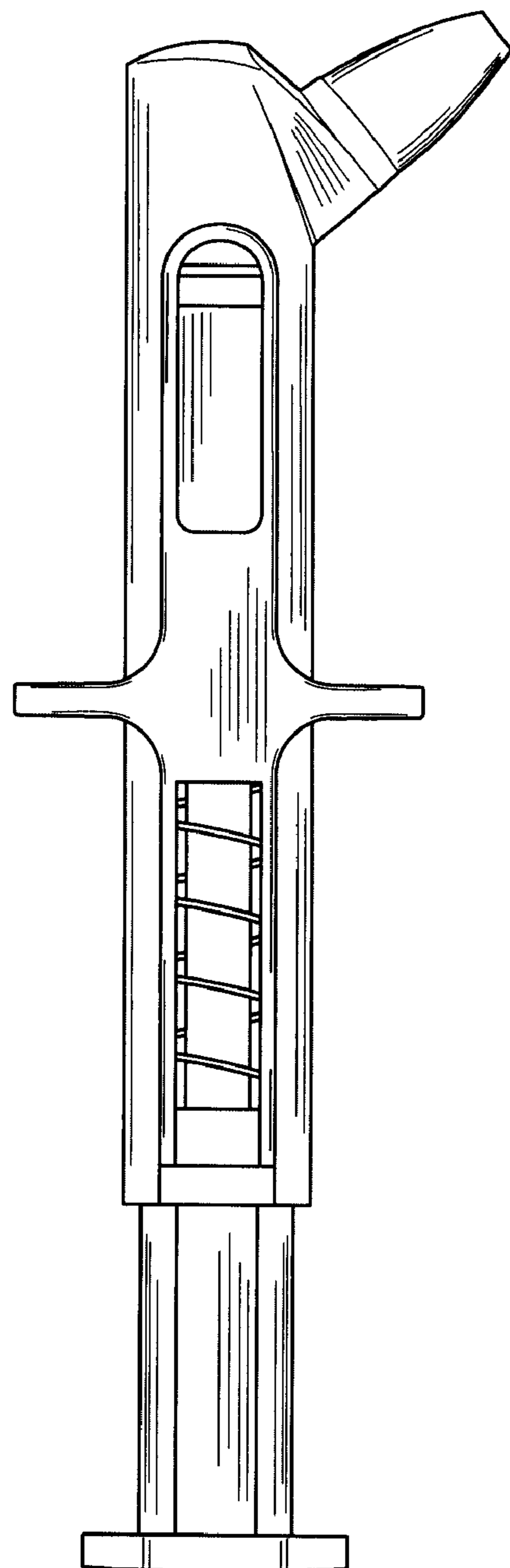


FIG. 4

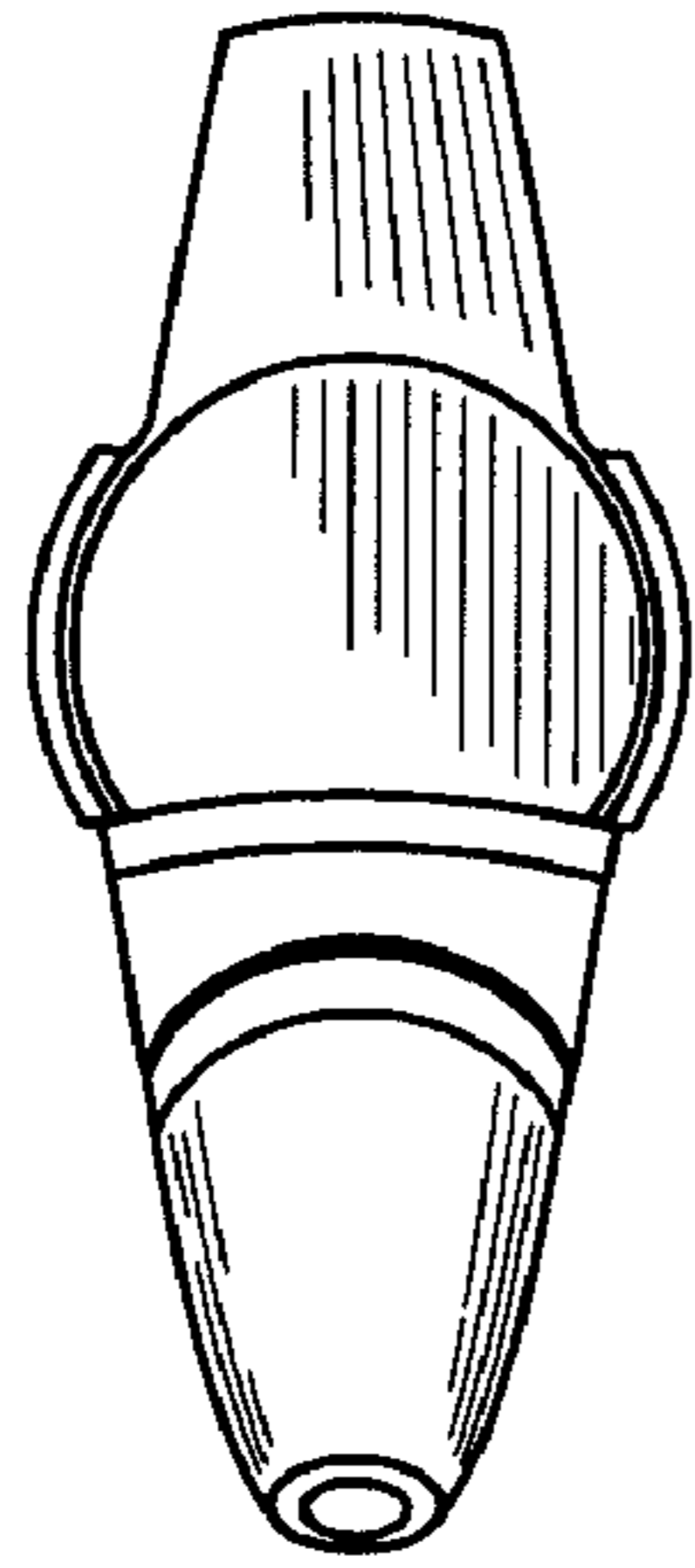


FIG. 5

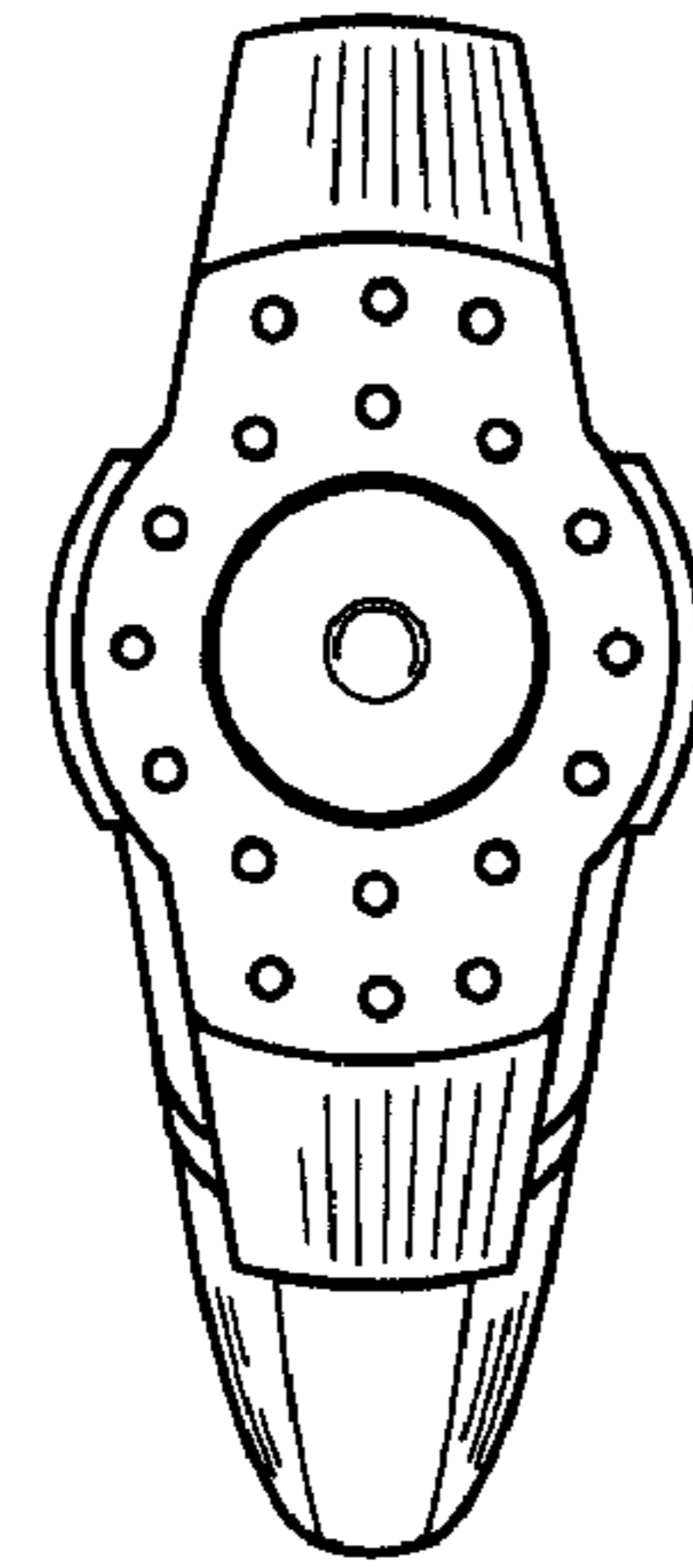


FIG. 6

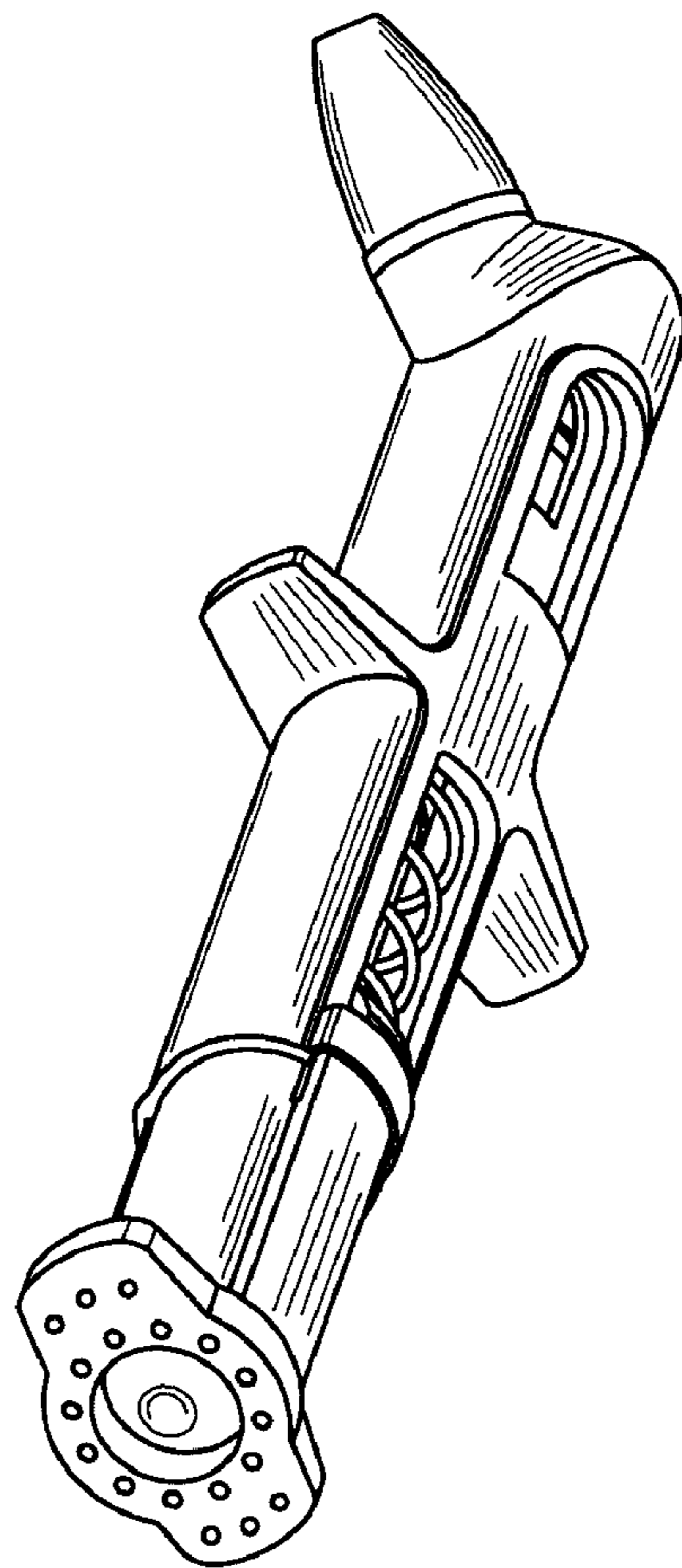


FIG. 7