



US00D556897S

(12) **United States Design Patent**
Guney et al.

(10) **Patent No.:** **US D556,897 S**
(45) **Date of Patent:** **** Dec. 4, 2007**

- (54) **PORTION OF A SWIVEL ELBOW FOR A MASK**
- (75) Inventors: **Memduh Guney**, Killara (AU);
Anthony Michael Ging, Vancouver (CA);
Perry David Lithgow, Glenwood (AU);
Jim Saada, Kellyville (AU);
Amal Shirley Amarasinghe, Beecroft (AU);
Joanne Elizabeth Drew, North Ryde (AU);
Borivoje Ljubojevic, Ryde (AU);
Timothy Tsun-Fai Fu, Carlingford (AU)

- 5,921,239 A 7/1999 McCall et al.
- 5,937,851 A 8/1999 Serowski et al.
- 6,192,886 B1 2/2001 Rudolph
- 6,532,961 B1 3/2003 Kwok et al.
- 6,581,594 B1 6/2003 Truitt et al.
- D485,905 S 1/2004 Moore et al.
- D486,226 S 2/2004 Guney et al.
- D496,098 S 9/2004 Guney et al.
- 2002/0023650 A1 2/2002 Gunaratnam et al.
- 2003/0005931 A1 1/2003 Jaffre et al.
- 2003/0075180 A1 4/2003 Raje et al.
- 2003/0196657 A1 10/2003 Ging et al.

- (73) Assignee: **ResMed Limited**, Bella Vista (AU)
- (**) Term: **14 Years**
- (21) Appl. No.: **29/232,936**
- (22) Filed: **Jun. 27, 2005**

OTHER PUBLICATIONS

U.S. Appl. No. 29/209,720, filed Jul. 2004, inventor Guney et al.
Primary Examiner—Ian Simmons
Assistant Examiner—Christopher Lee
 (74) *Attorney, Agent, or Firm*—Nixon & Vanderhye P.C.

Related U.S. Application Data

- (60) Continuation of application No. 29/209,720, filed on Jul. 21, 2004, now Pat. No. Des. 540,464, which is a division of application No. 29/170,561, filed on Nov. 8, 2002, now Pat. No. Des. 496,098.
- (51) **LOC (8) Cl.** **29-02**
- (52) **U.S. Cl.** **D24/110.1; D24/110.5; D24/129**
- (58) **Field of Classification Search** **D24/110.1, D24/129, 110.4, 110.5, 164; 128/205.25, 128/207.13, 206.21, 205.24, 202.27, 204.18, 128/206.24, 206.27, 206.15**
See application file for complete search history.

(57) **CLAIM**

The ornamental appearance for a portion of a swivel elbow for a mask, as shown and described.

DESCRIPTION

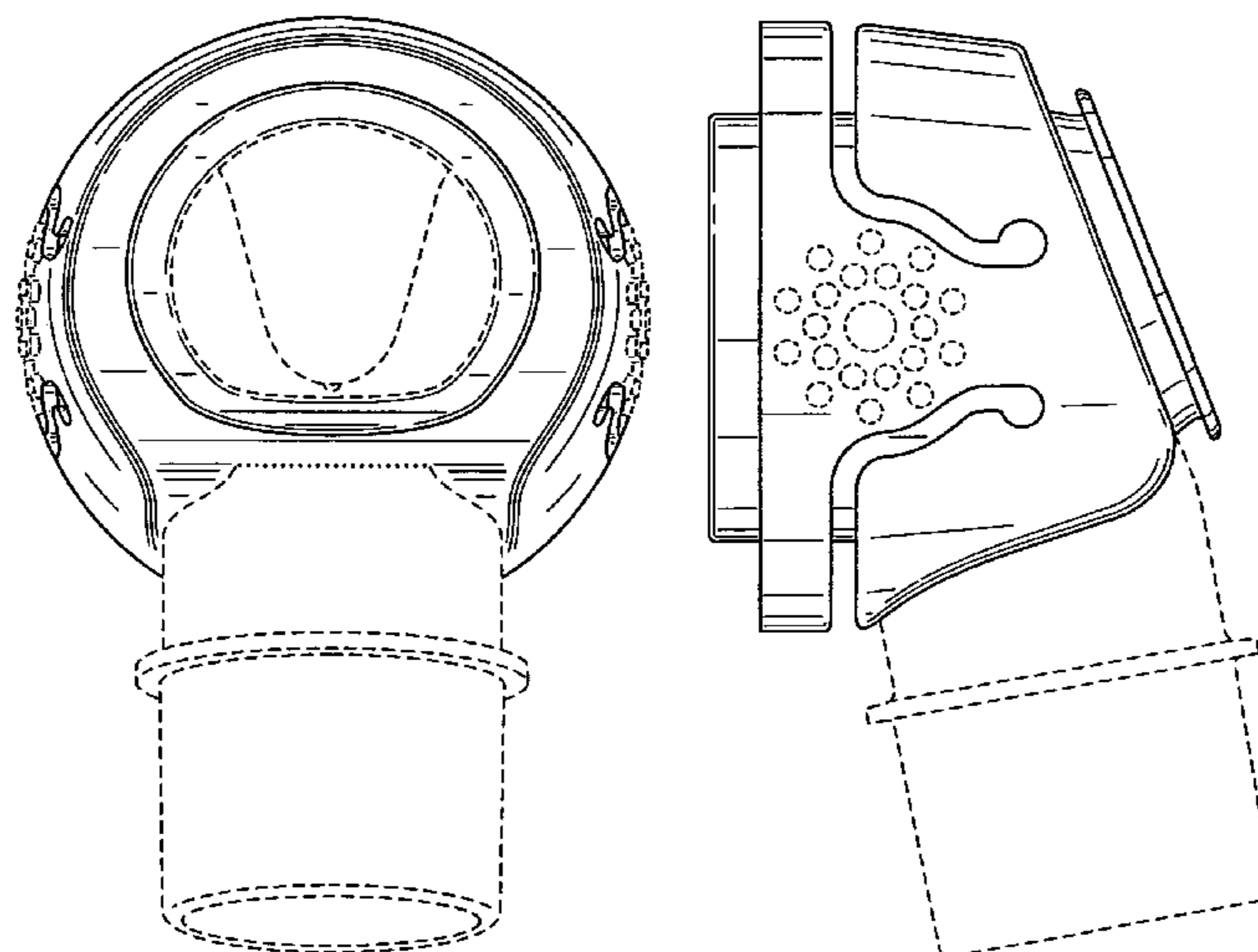
FIG. 1 is a front view of a portion of a swivel elbow for a mask connector assembly according to our design;
 FIG. 2 is a rear view thereof;
 FIG. 3 is a left side view thereof;
 FIG. 4 is a right side view thereof;
 FIG. 5 is a top view thereof;
 FIG. 6 is a bottom view thereof; and,
 FIG. 7 is a rear perspective view thereof.

Where included, broken lines showing environment or structure are for illustrative purposes only and form no part of the claimed design.

Where included, dotted lines show the transition between claimed and unclaimed subject matter and form no part of the claimed design.

- (56) **References Cited**
- U.S. PATENT DOCUMENTS
- 1,675,431 A 7/1928 Sharp
- 4,794,921 A 1/1989 Lindkvist
- 4,807,617 A 2/1989 Nesti
- 5,662,101 A 9/1997 Ogden et al.

1 Claim, 7 Drawing Sheets



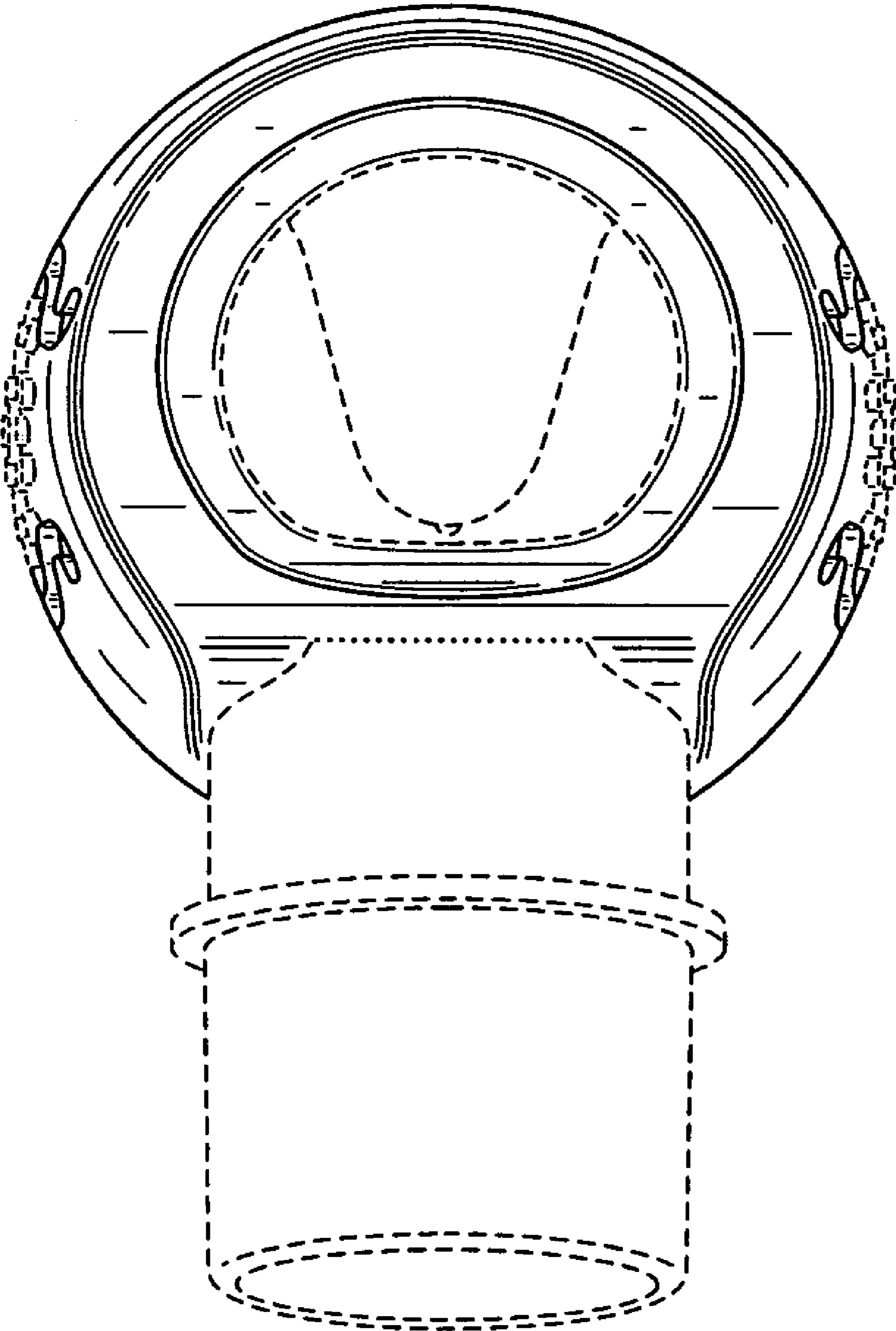


FIG. 1

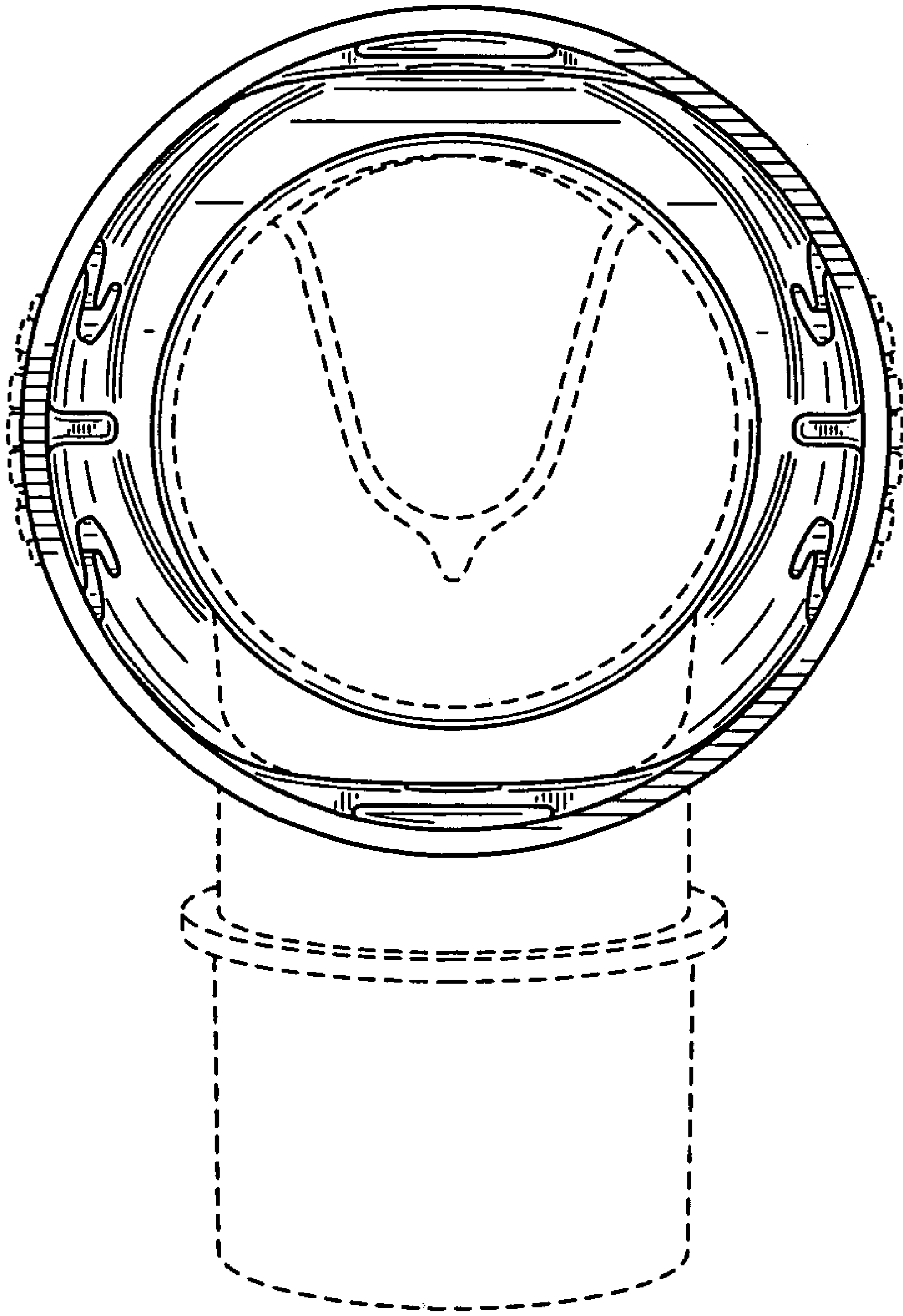


FIG. 2

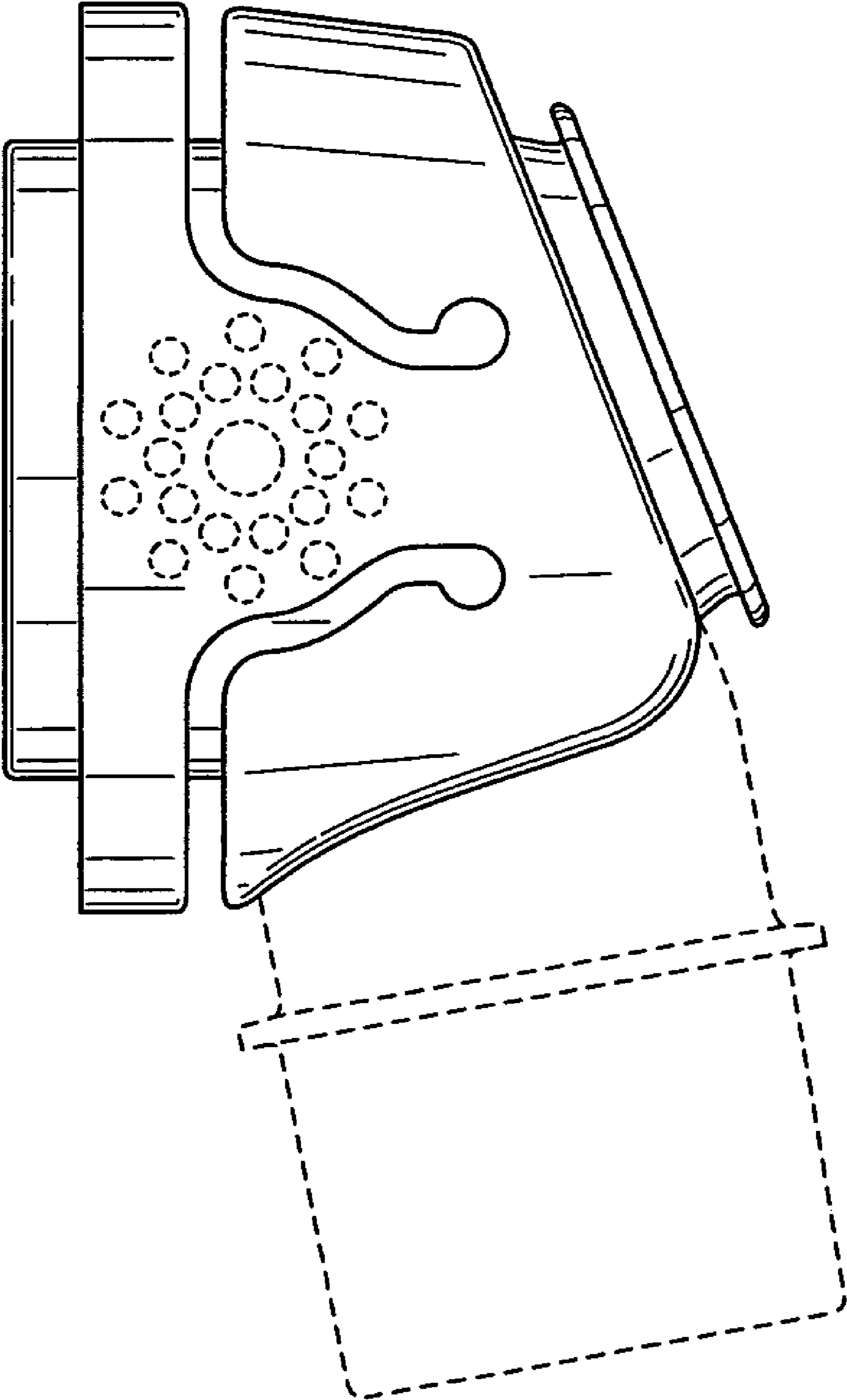


FIG. 3

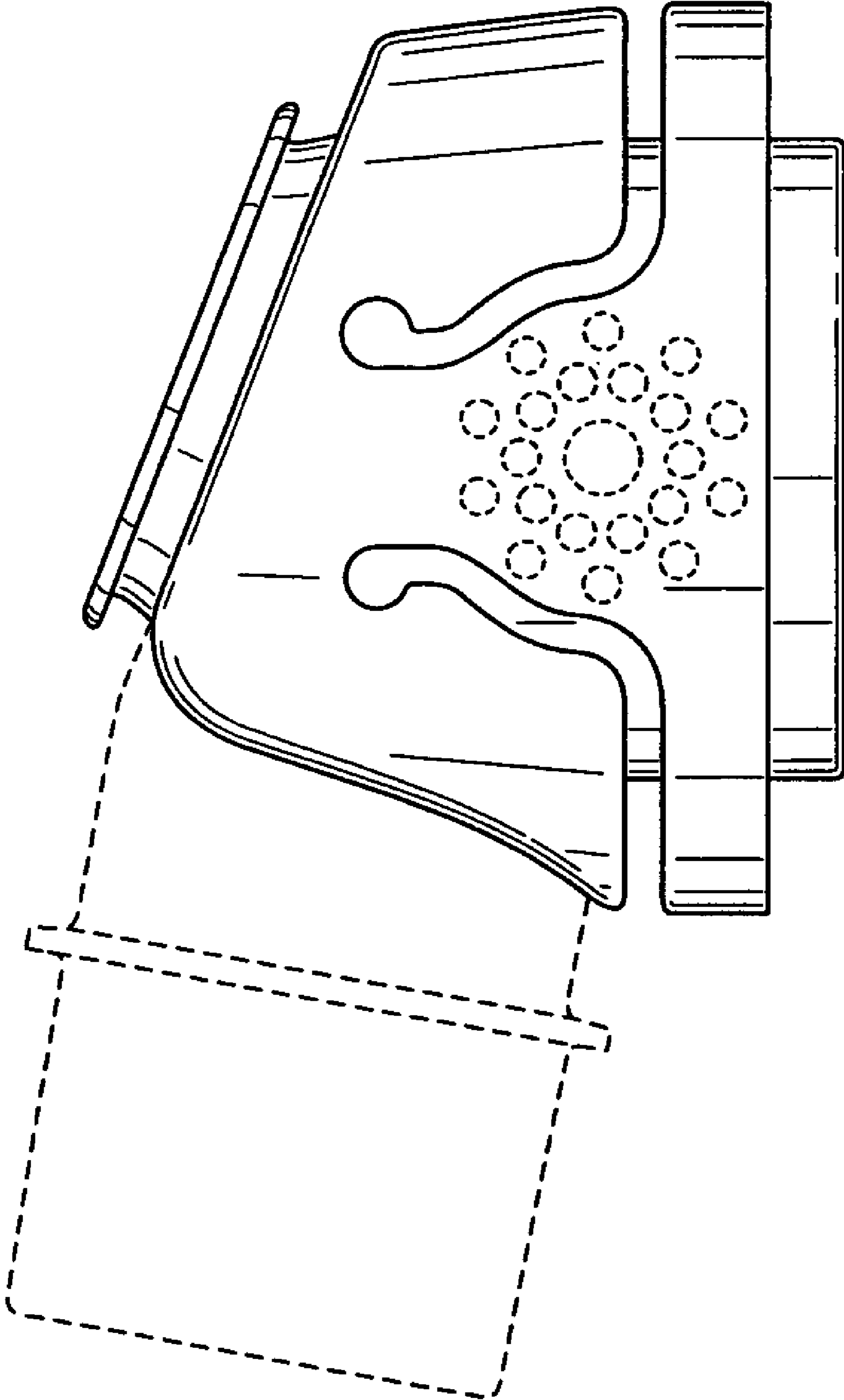


FIG. 4

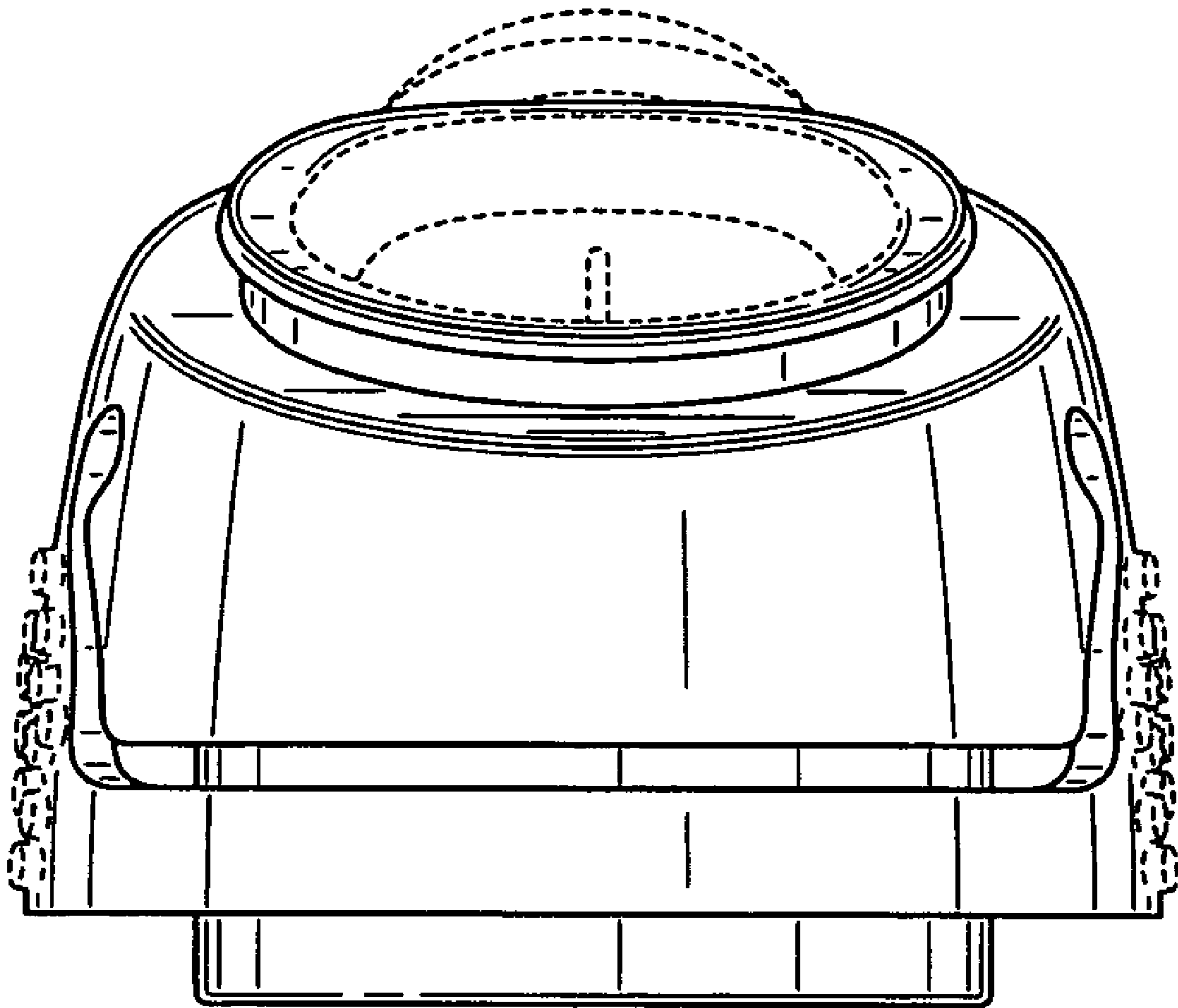


FIG. 5

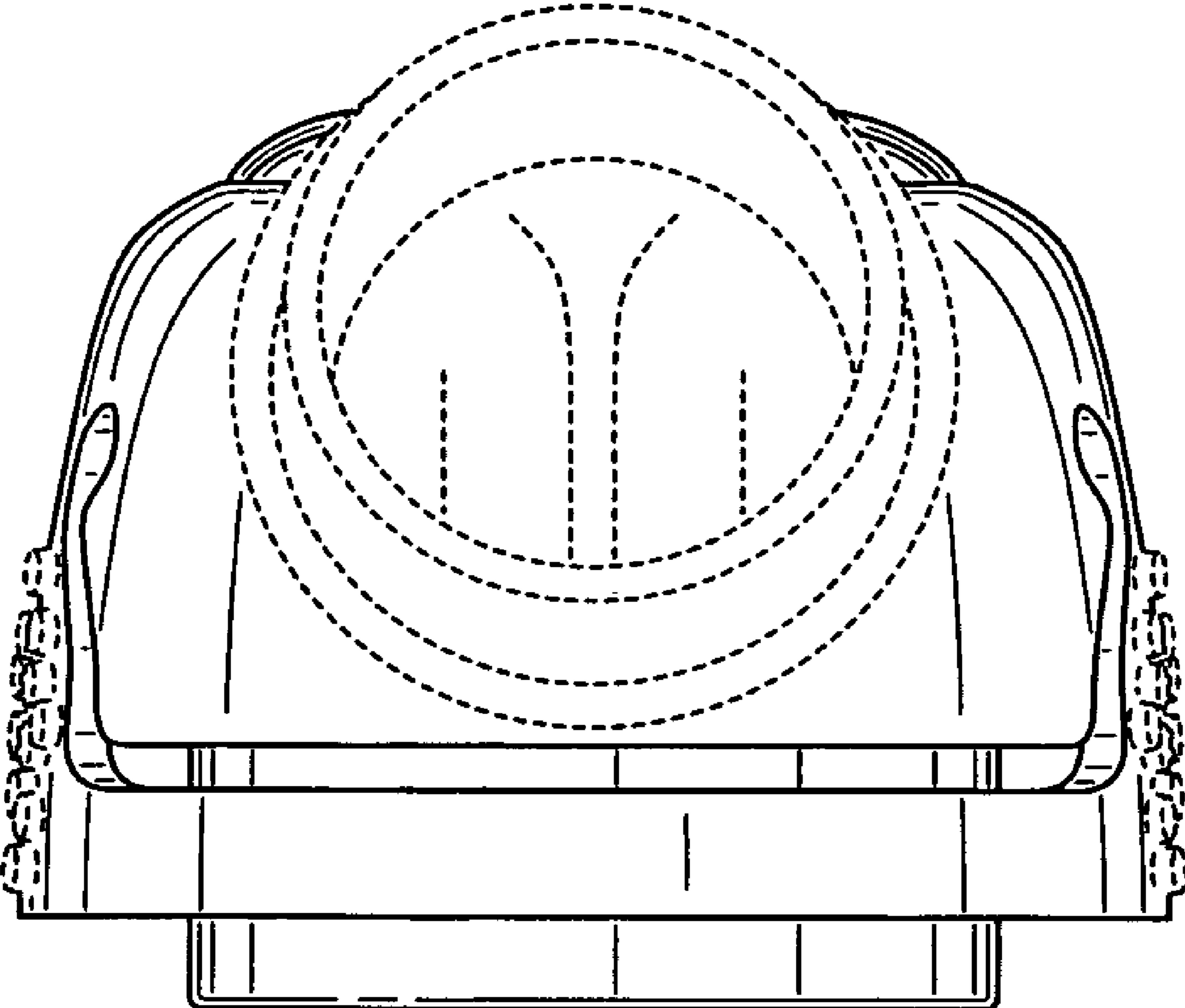


FIG. 6

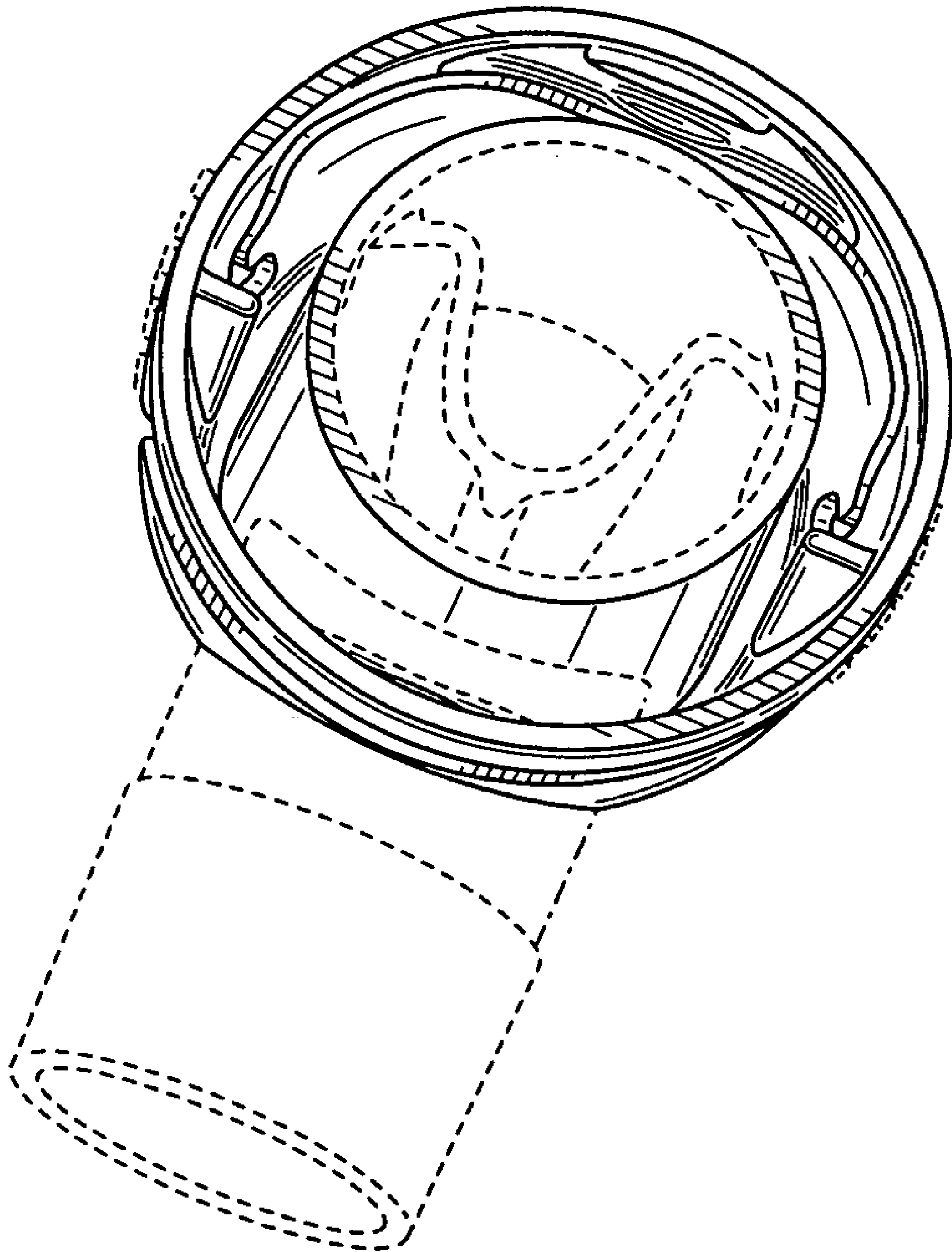


FIG. 7