



US00D556895S

(12) **United States Design Patent** (10) **Patent No.:** **US D556,895 S**  
**Thom et al.** (45) **Date of Patent:** **\*\* Dec. 4, 2007**

(54) **SPHERICAL VACUUM DESICCATOR**

OTHER PUBLICATIONS

(75) Inventors: **Paul Thom**, Butler, NJ (US); **David Landsberger**, Caldwell, NJ (US); **Francis Gomes**, Jersey City, NJ (US)

www.nurnburg.com; Feb. 10, 2005 □ □ Nalgene polycarbonate desiccator, Cat No. 225-0011.\*  
[http://www.coleparmer.com/catalog/Product\\_view.asp?sku=0652500&pfx=EW](http://www.coleparmer.com/catalog/Product_view.asp?sku=0652500&pfx=EW) □ □ Jun. 17, 2005; 05-06 Catalog (PDF); Nalgene Autoclavable Plastic Desiccator, EW-06525-00.\*  
Bel-Art Products Catalog No. 204, 2004, pp. 33-40.  
Bel-Arts Products Catalog No. 198, 1998, pp. 98-111.

(73) Assignee: **Bel-Art Products, Inc.**, Pequannock, NJ (US)

(\*\*) Term: **14 Years**

\* cited by examiner

(21) Appl. No.: **29/240,057**

*Primary Examiner*—Ian Simmons  
*Assistant Examiner*—Christopher Lee

(22) Filed: **Oct. 7, 2005**

(57) **CLAIM**

(51) **LOC (8) Cl.** ..... **24-01**

The ornamental design for a spherical vacuum desiccator, as shown.

(52) **U.S. Cl.** ..... **D24/108**

(58) **Field of Classification Search** ..... D24/108,  
D24/111, 107; 604/319, 119, 317, 326; 34/92;  
600/562; D7/402; 220/231

**DESCRIPTION**

See application file for complete search history.

FIG. 1 is a top perspective view of a spherical vacuum desiccator showing our new design;

(56) **References Cited**

FIG. 2 is a front elevational view thereof;

U.S. PATENT DOCUMENTS

FIG. 3 is a right-hand side elevational view thereof;

2,742,709	A *	4/1956	De Woody et al.	34/92
D207,982	S *	6/1967	Petertil	D28/16
5,073,172	A	12/1991	Fell	
D444,663	S *	7/2001	Samaras	D7/337
6,648,862	B2	11/2003	Watson	
D486,035	S *	2/2004	Morgan	D7/354
D504,798	S *	5/2005	Nipke et al.	D7/402
D523,333	S *	6/2006	Moretti	D9/444

FIG. 4 is a left-hand side elevational view thereof;

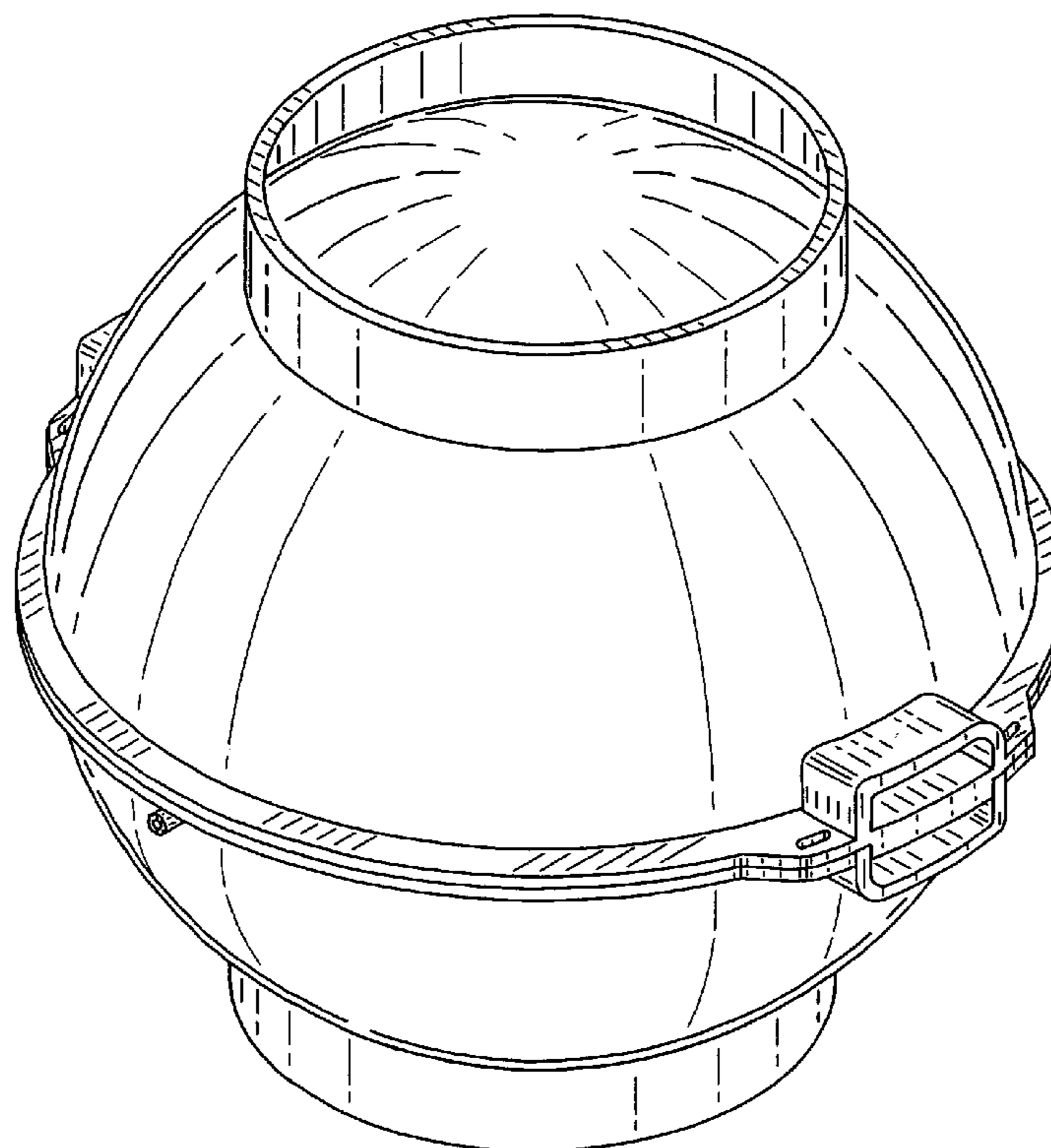
FIG. 5 is a top plan view thereof;

FIG. 6 is a bottom plan view thereof;

FIG. 7 is a rear elevational view thereof; and,

FIG. 8 is a bottom perspective view thereof.

**1 Claim, 5 Drawing Sheets**



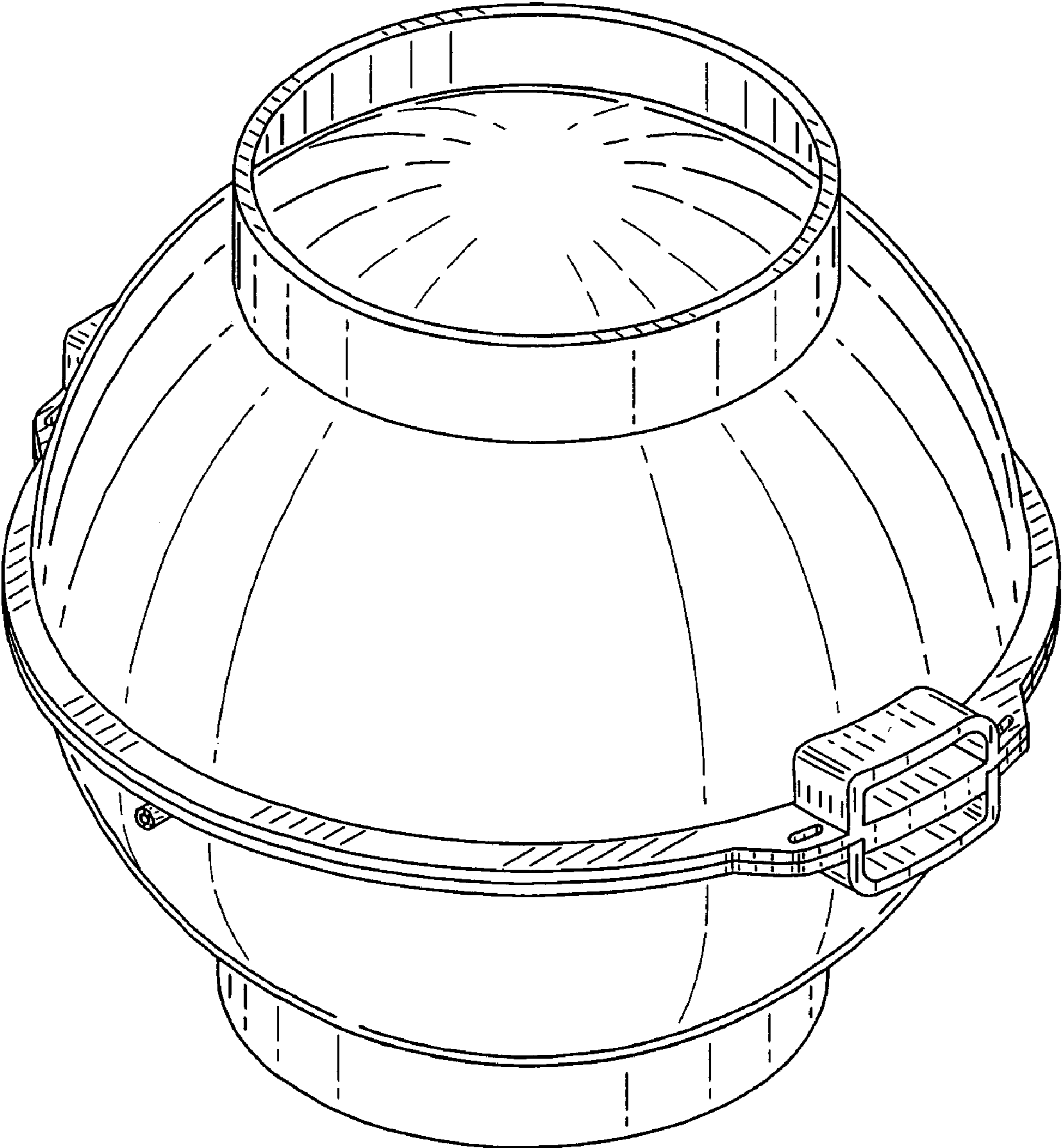


FIG. 1

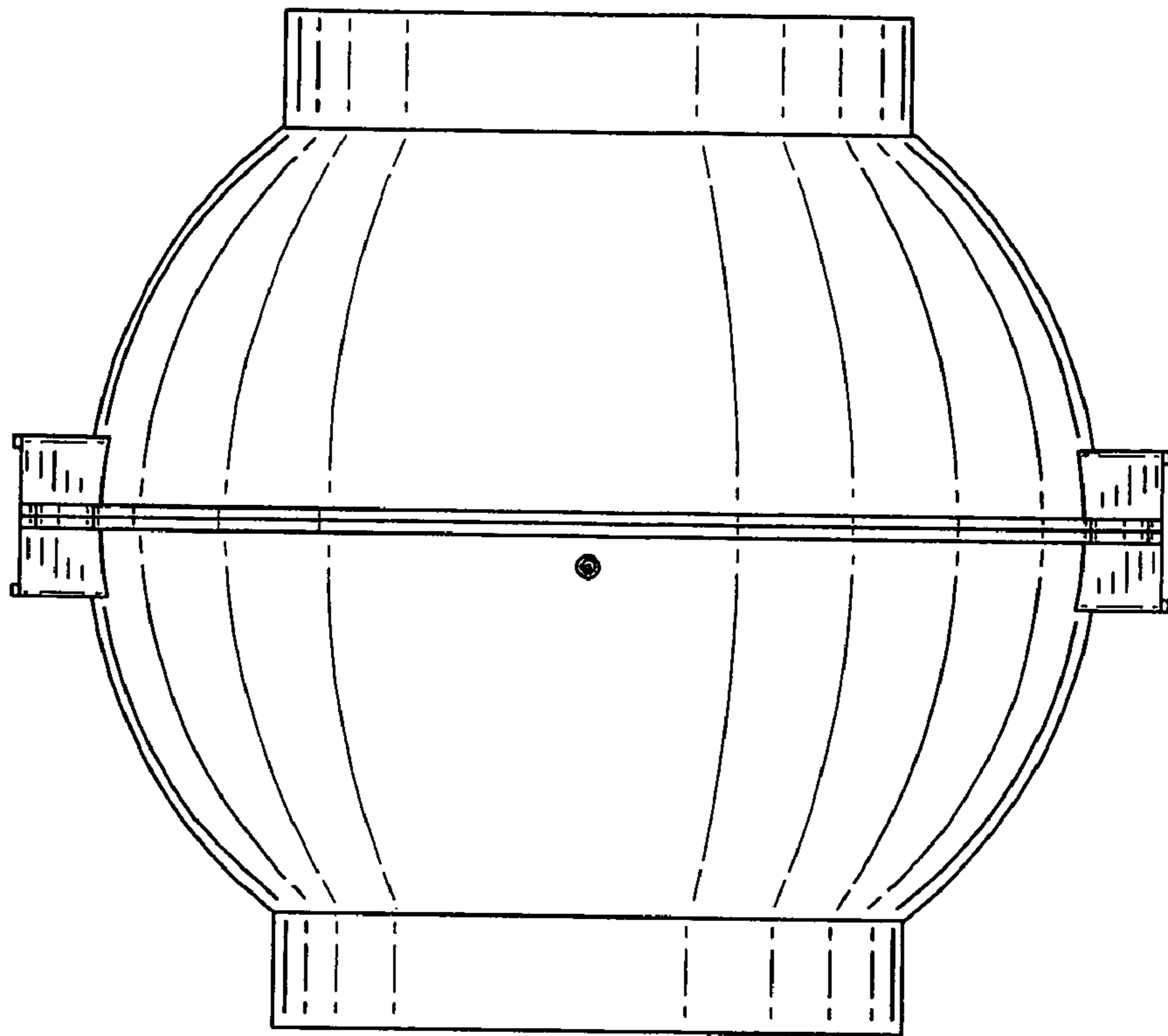


FIG. 2

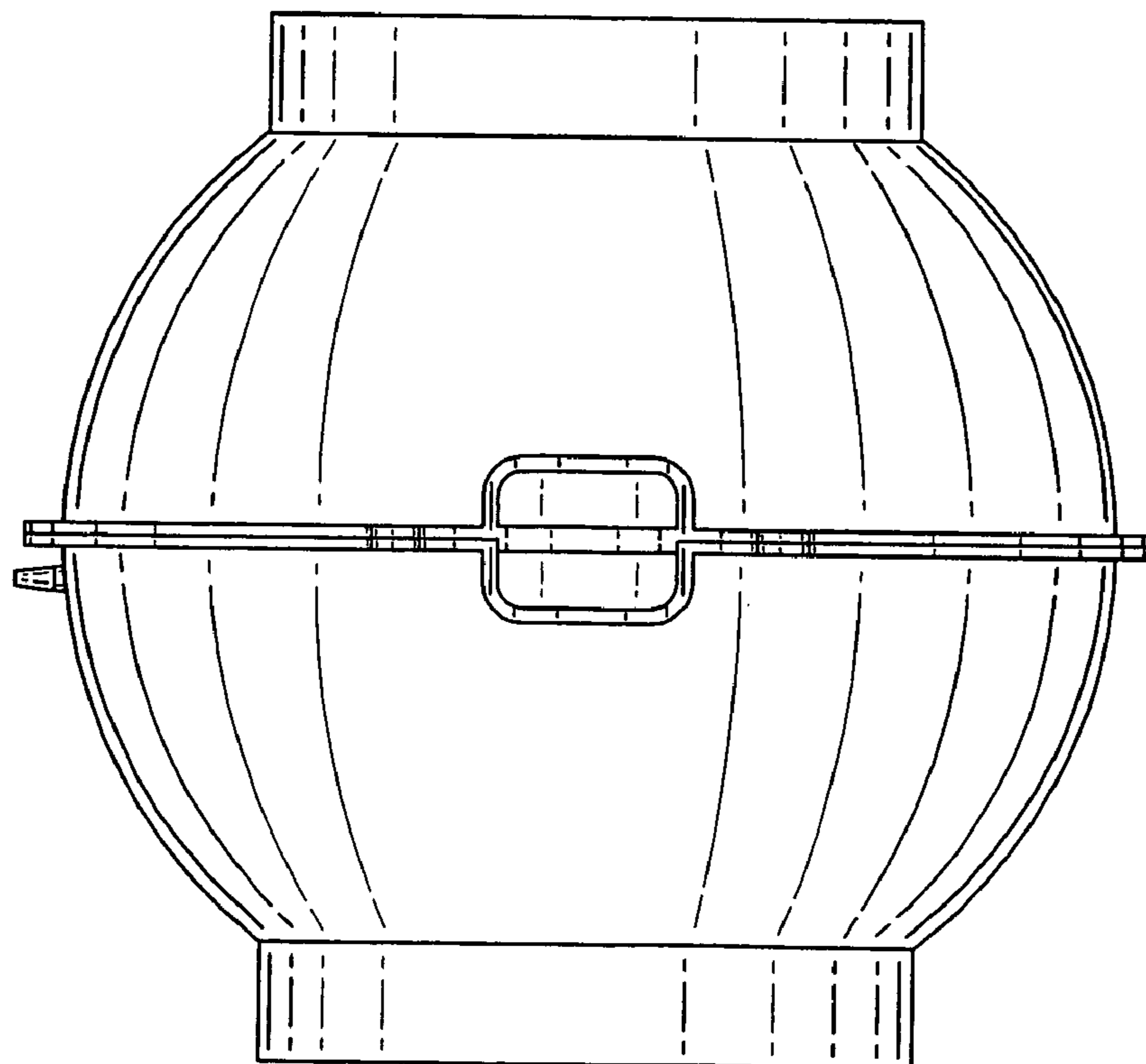


FIG. 3

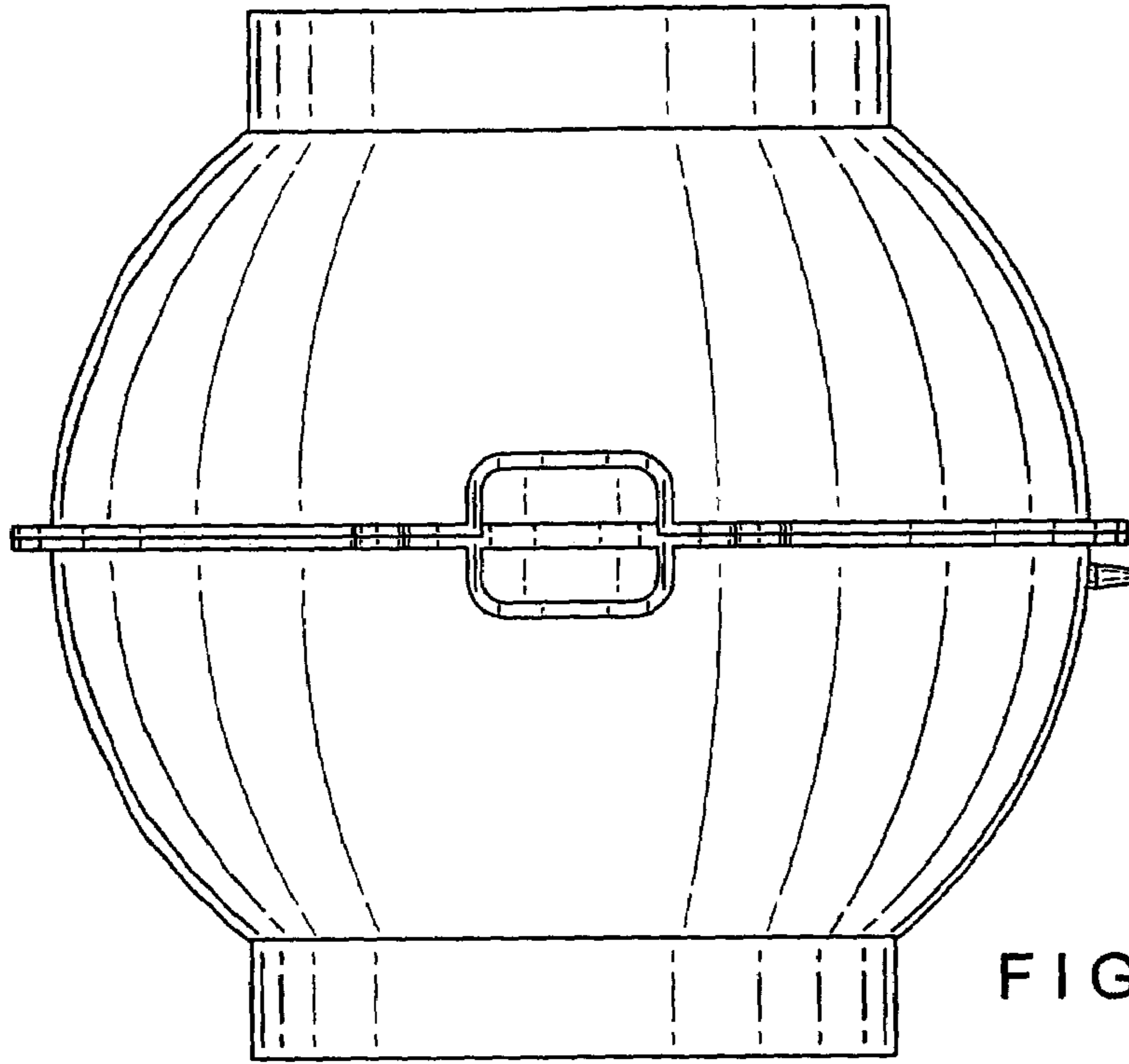


FIG. 4

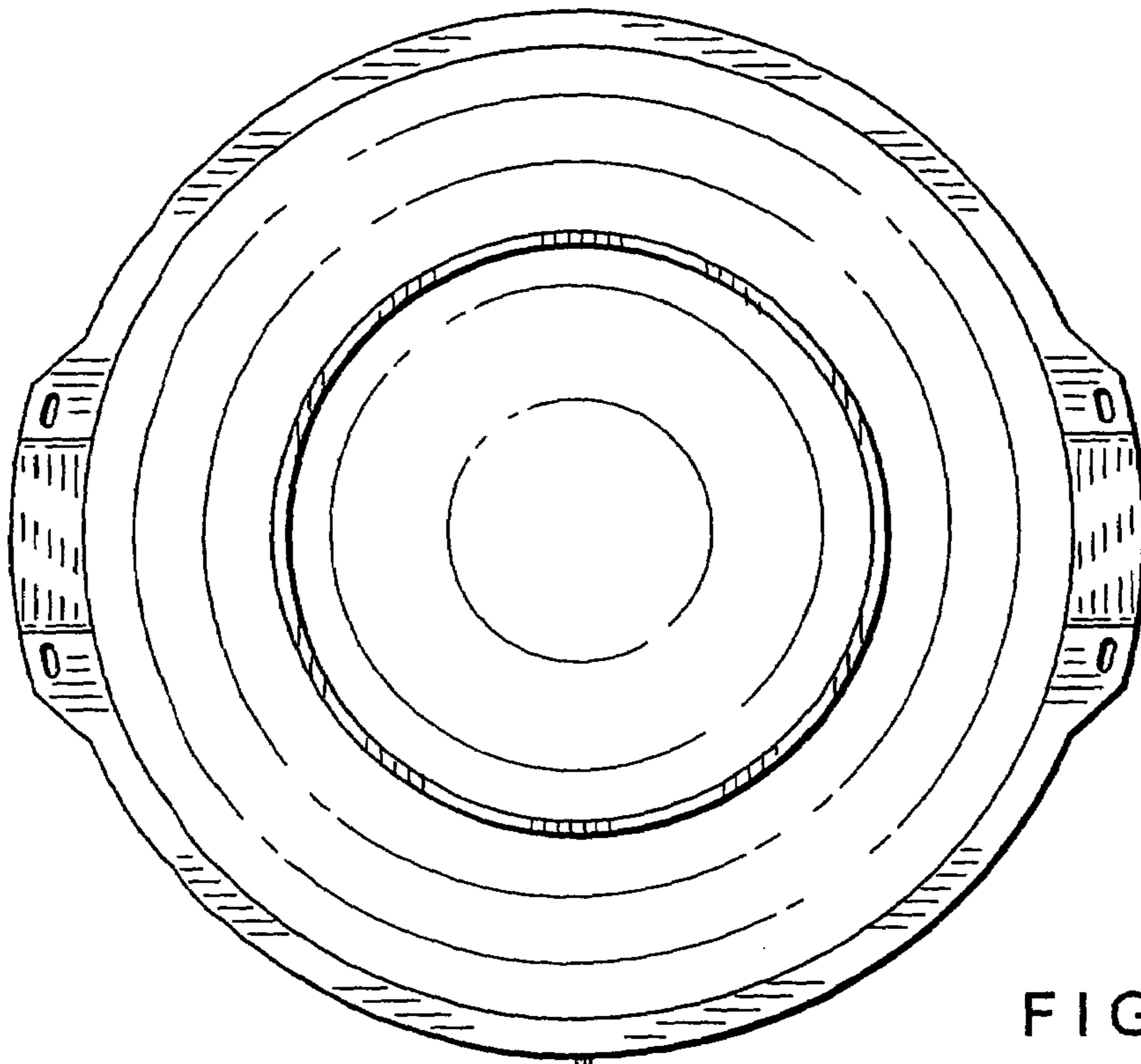


FIG. 5

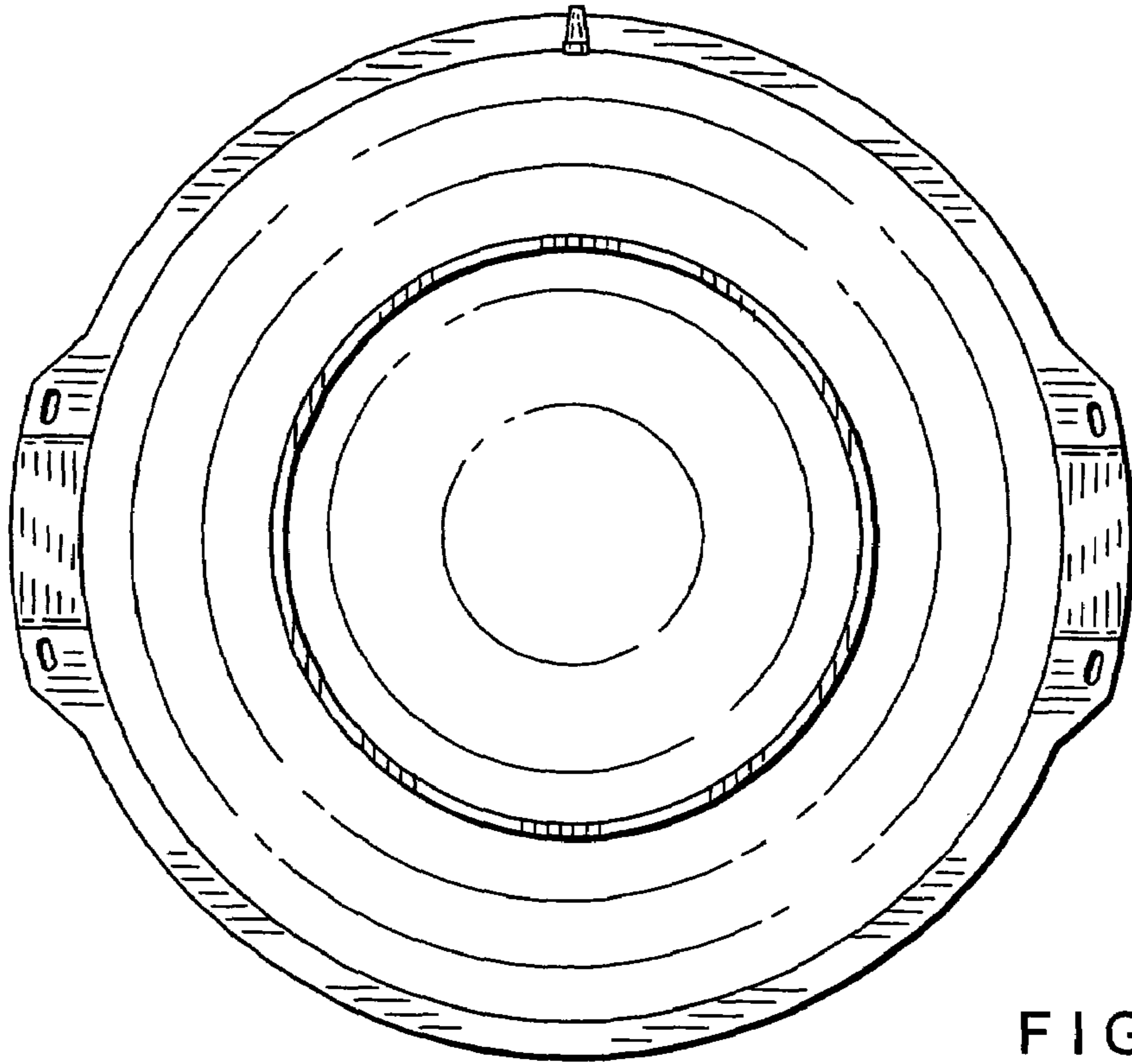


FIG. 6

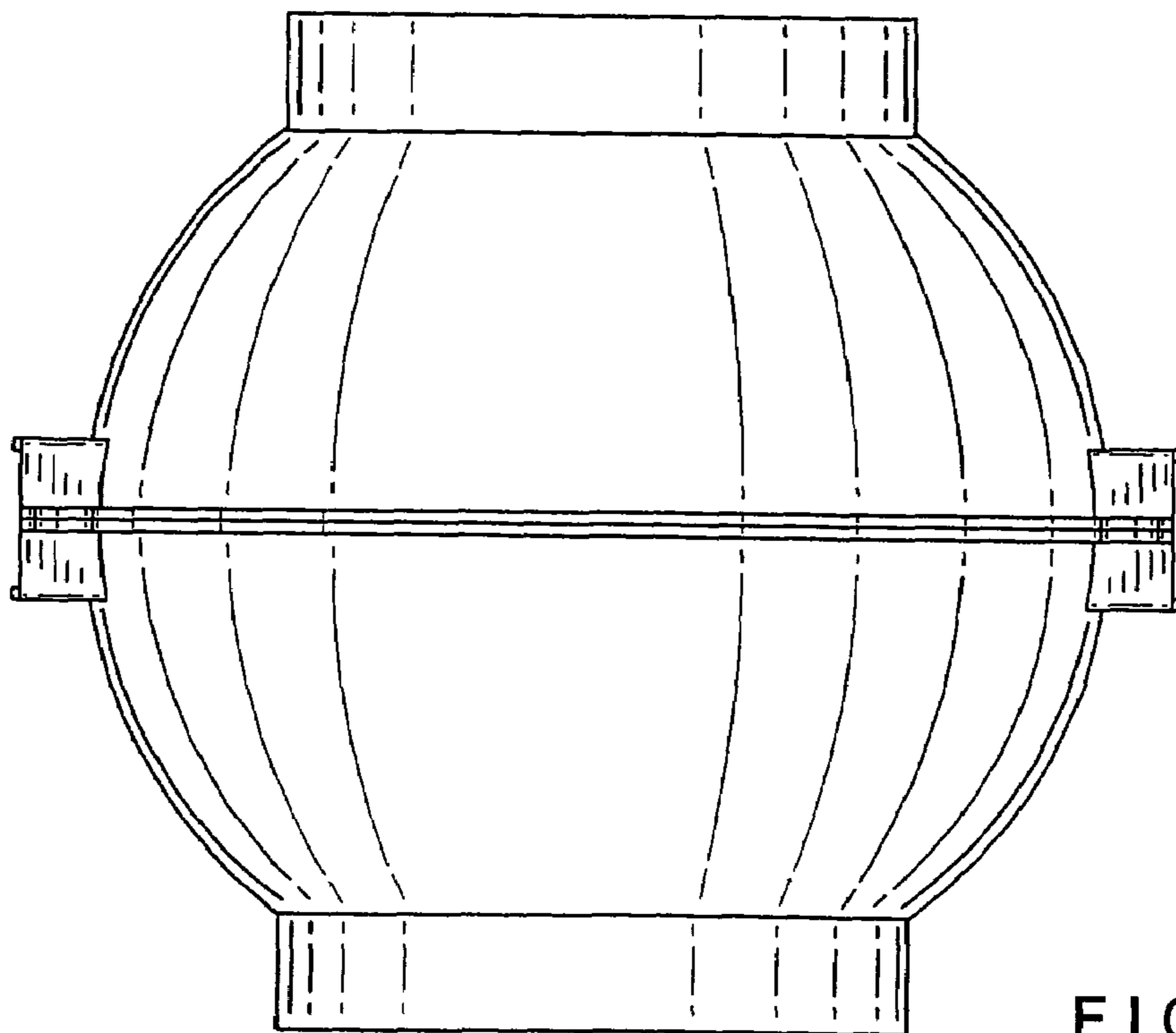


FIG. 7

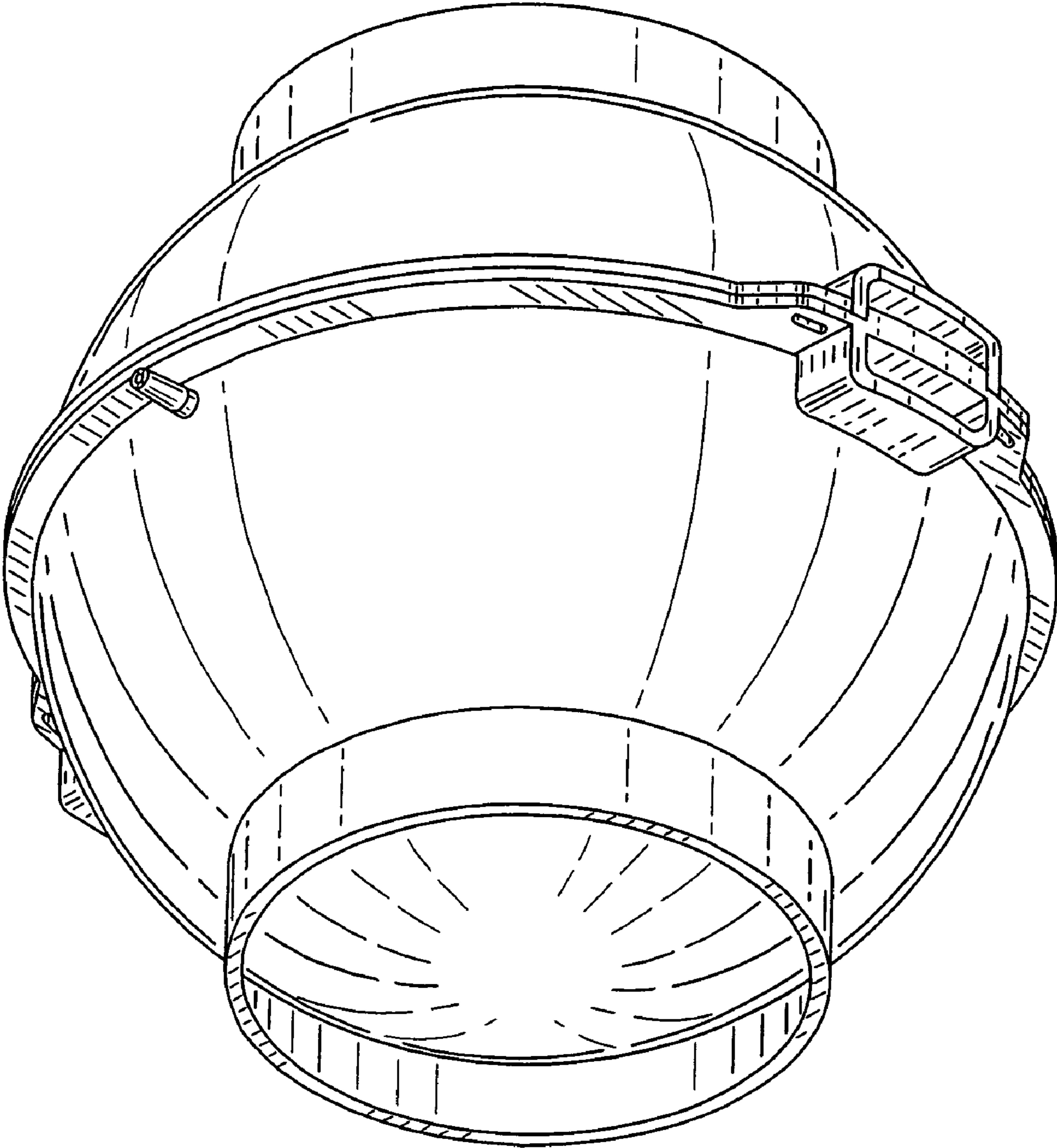


FIG. 8