



US00D556889S

(12) **United States Design Patent**  
**Curtin**

(10) **Patent No.:** **US D556,889 S**

(45) **Date of Patent:** **\*\* Dec. 4, 2007**

(54) **CEILING FAN BLADE IRON**

(75) Inventor: **Brett Curtin**, Scottsdale, AZ (US)

(73) Assignee: **Craftmade International, Inc.**,  
Coppell, TX (US)

(\*\*) Term: **14 Years**

(21) Appl. No.: **29/271,558**

(22) Filed: **Jan. 22, 2007**

(51) **LOC (8) Cl.** ..... **23-04**

(52) **U.S. Cl.** ..... **D23/411**

(58) **Field of Classification Search** ..... D23/411,  
D23/413, 377, 379, 385; 416/5  
See application file for complete search history.

(56) **References Cited**

U.S. PATENT DOCUMENTS

D508,123 S *	8/2005	Pickett	.....	D23/411
D510,999 S *	10/2005	Thomas, Jr.	.....	D23/411
D522,131 S *	5/2006	Dye	.....	D23/411

\* cited by examiner

*Primary Examiner*—Lisa Lichtenstein

(74) *Attorney, Agent, or Firm*—Munsch, Hardt, Kopf & Harr, P.C.

(57) **CLAIM**

The ornamental design for a ceiling fan blade iron, as shown and described.

**DESCRIPTION**

FIG. 1 is a perspective view of the ceiling fan blade iron showing my new design;

FIG. 2 is an enlarged front elevational view thereof;

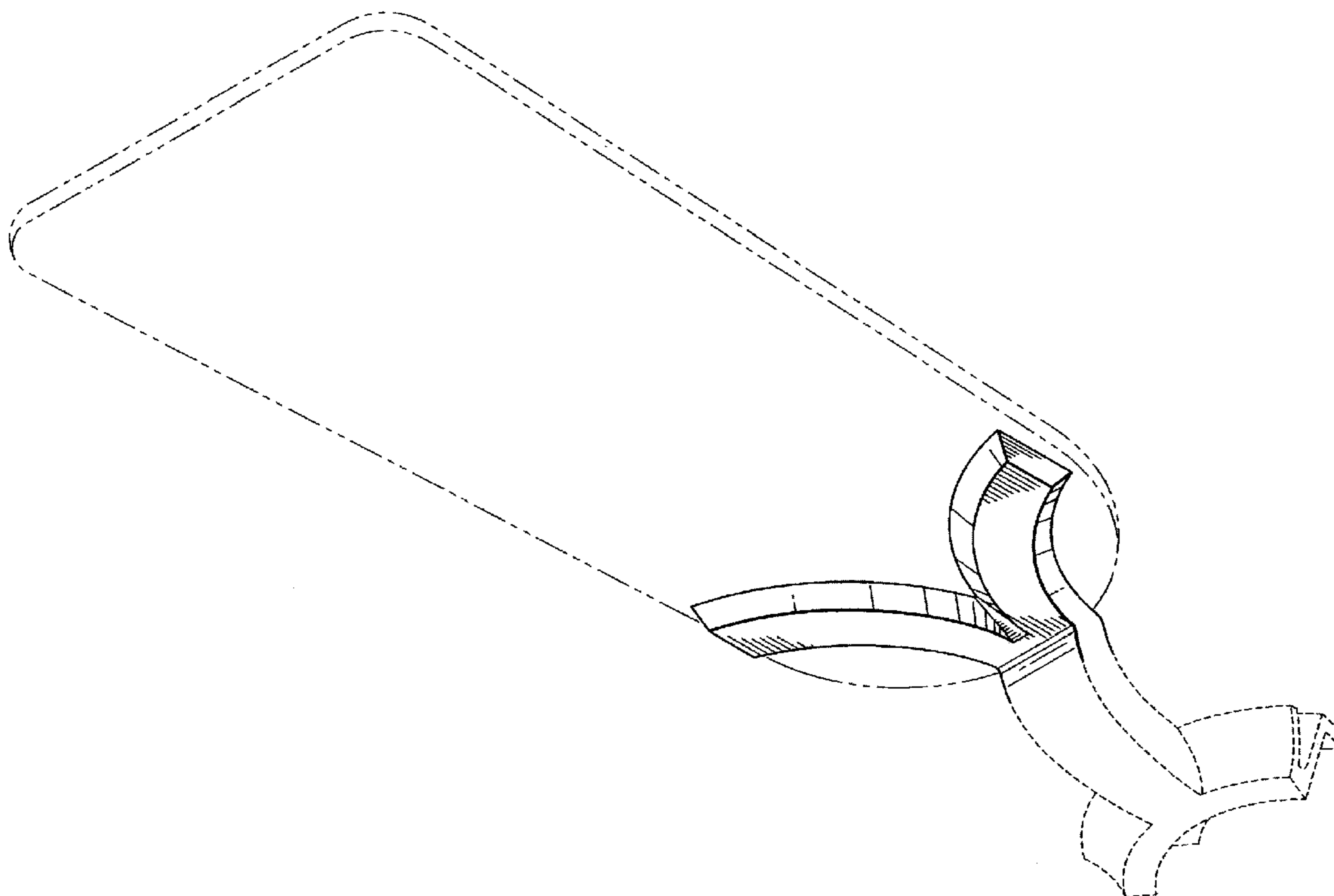
FIG. 3 is an enlarged right side elevational view thereof, the left side elevational view being a mirror image;

FIG. 4 is an enlarged bottom plan view thereof; and,

FIG. 5 is an enlarged top plan view thereof.

The broken line showing of the fan blade attachment element and the fan blade is included for the purpose of illustrating environmental structure and forms no part of the claimed design.

**1 Claim, 2 Drawing Sheets**



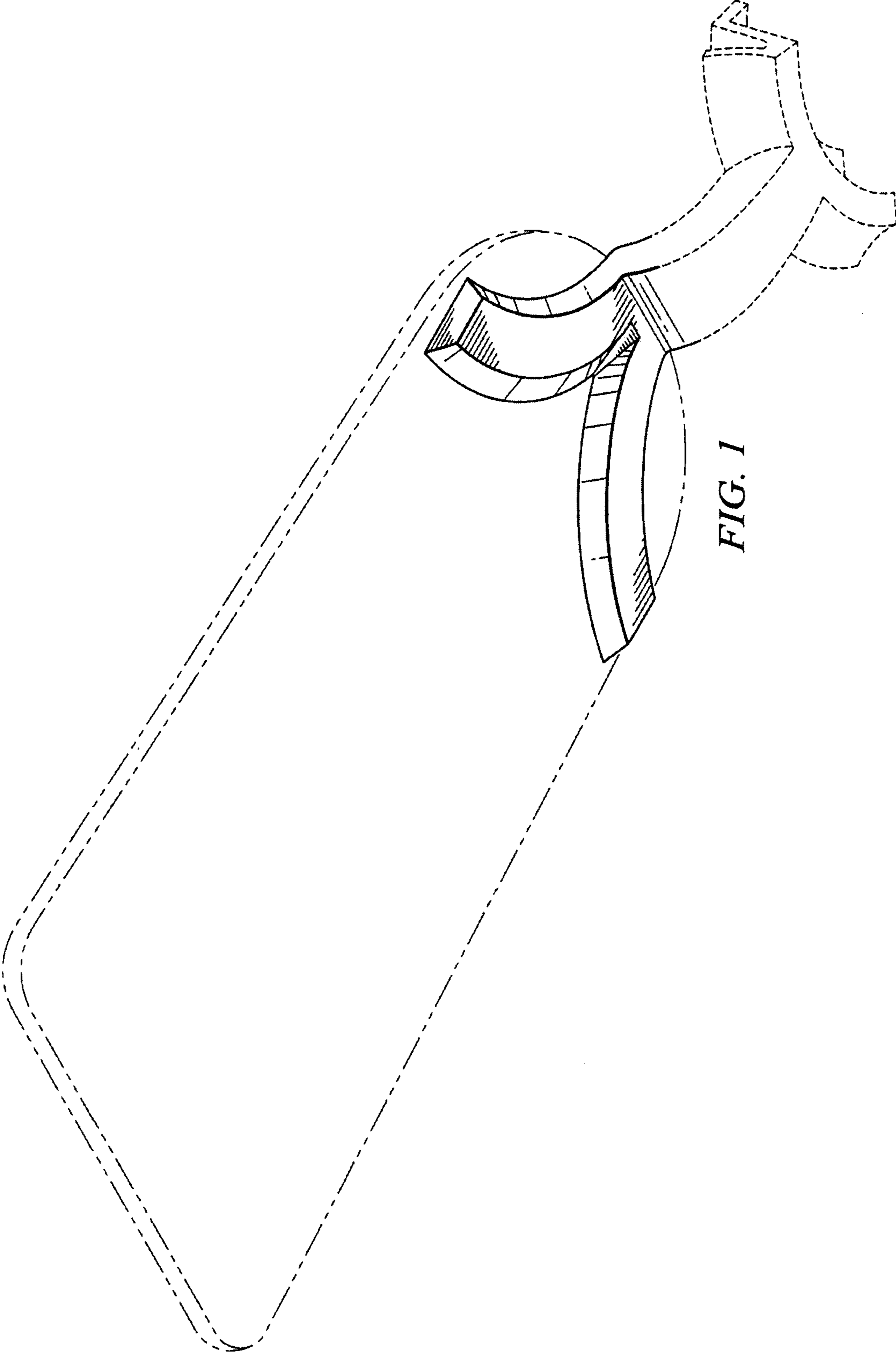


FIG. 1

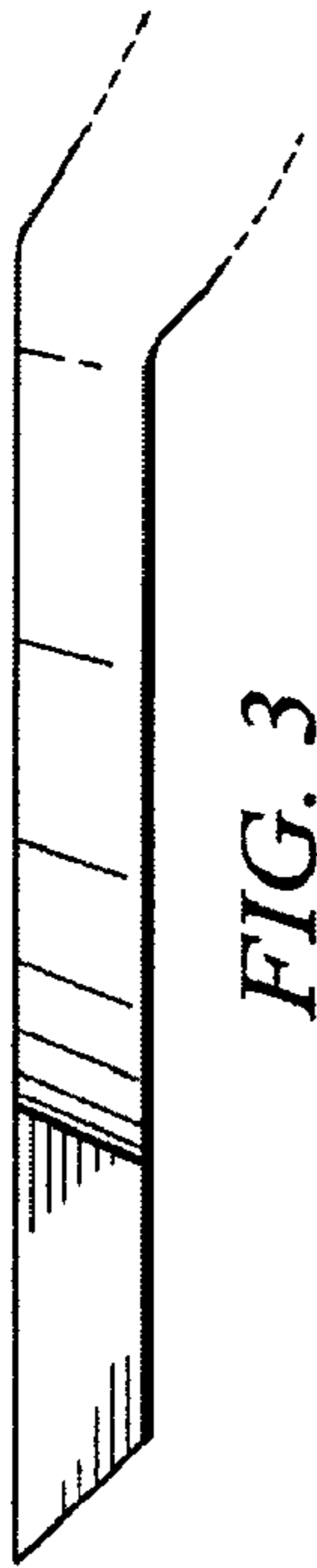


FIG. 3

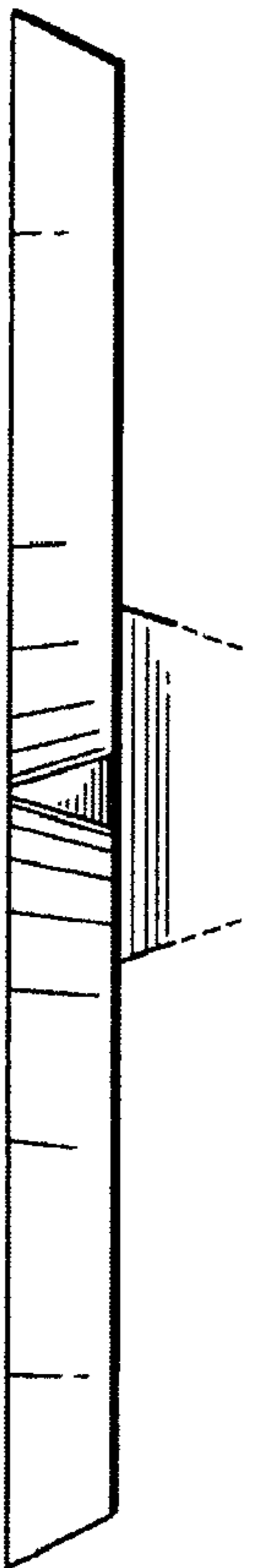


FIG. 2

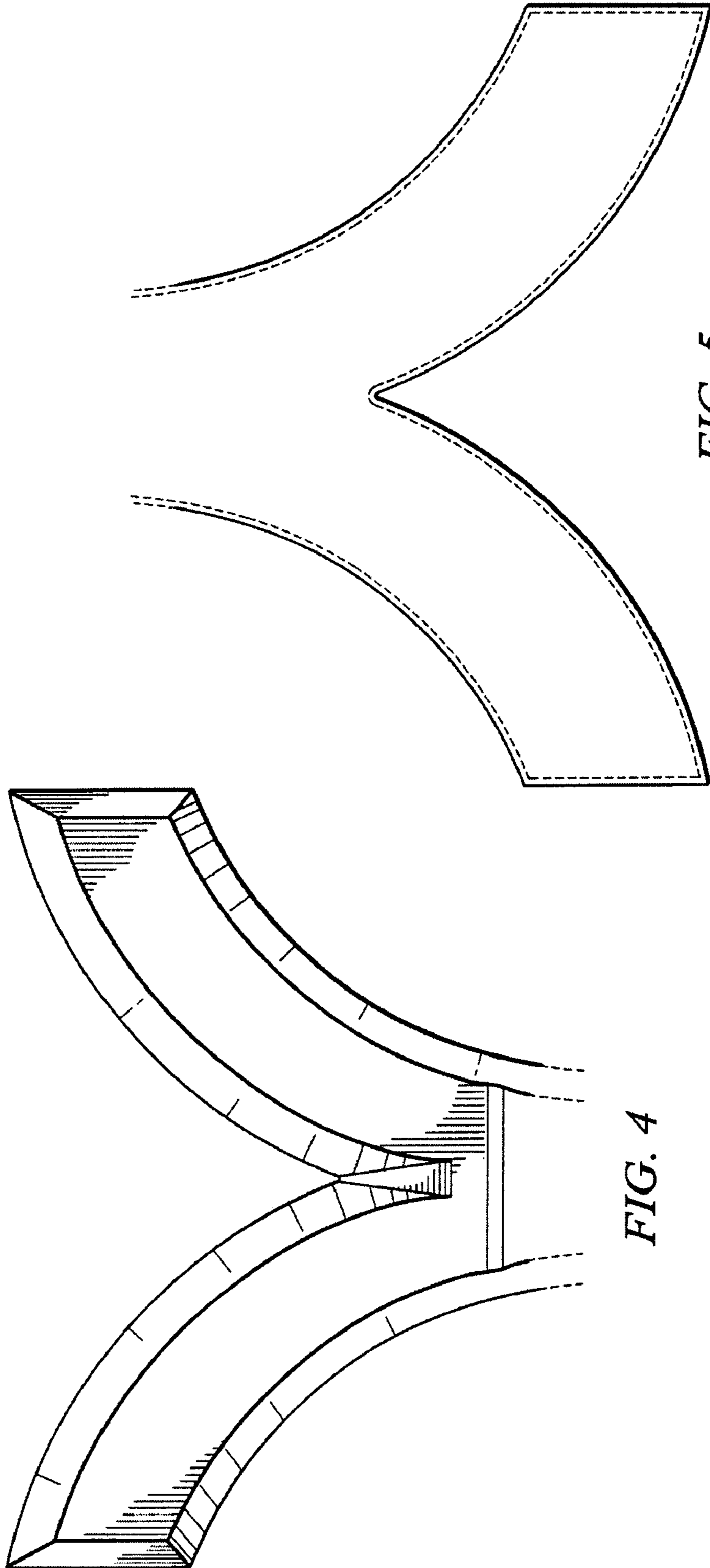


FIG. 4

FIG. 5