



US00D556888S

(12) **United States Design Patent**
Curtin

(10) **Patent No.:** **US D556,888 S**

(45) **Date of Patent:** **** Dec. 4, 2007**

(54) **CEILING FAN HOUSING**

(75) Inventor: **Brett Curtin**, Scottsdale, AZ (US)

(73) Assignee: **Craftmade International, Inc.**,
Coppell, TX (US)

(**) Term: **14 Years**

(21) Appl. No.: **29/271,554**

(22) Filed: **Jan. 22, 2007**

(51) **LOC (8) Cl.** **23-04**

(52) **U.S. Cl.** **D23/411**

(58) **Field of Classification Search** D23/411,
D23/413, 377, 379, 385; 416/5; D26/59,
D26/51, 72, 81-86, 88

See application file for complete search history.

(56) **References Cited**

U.S. PATENT DOCUMENTS

D522,134 S * 5/2006 Florez D23/411

D526,060 S * 8/2006 Young D23/411

* cited by examiner

Primary Examiner—Lisa Lichtenstein

(74) *Attorney, Agent, or Firm*—Munsch, Hardt, Kopf & Harr, P.C.

(57) **CLAIM**

The ornamental design for a ceiling fan housing, as shown and described.

DESCRIPTION

FIG. 1 is a perspective view of the ceiling fan housing showing my new design;

FIG. 2 front elevational view thereof, the rear view being a mirror image thereof;

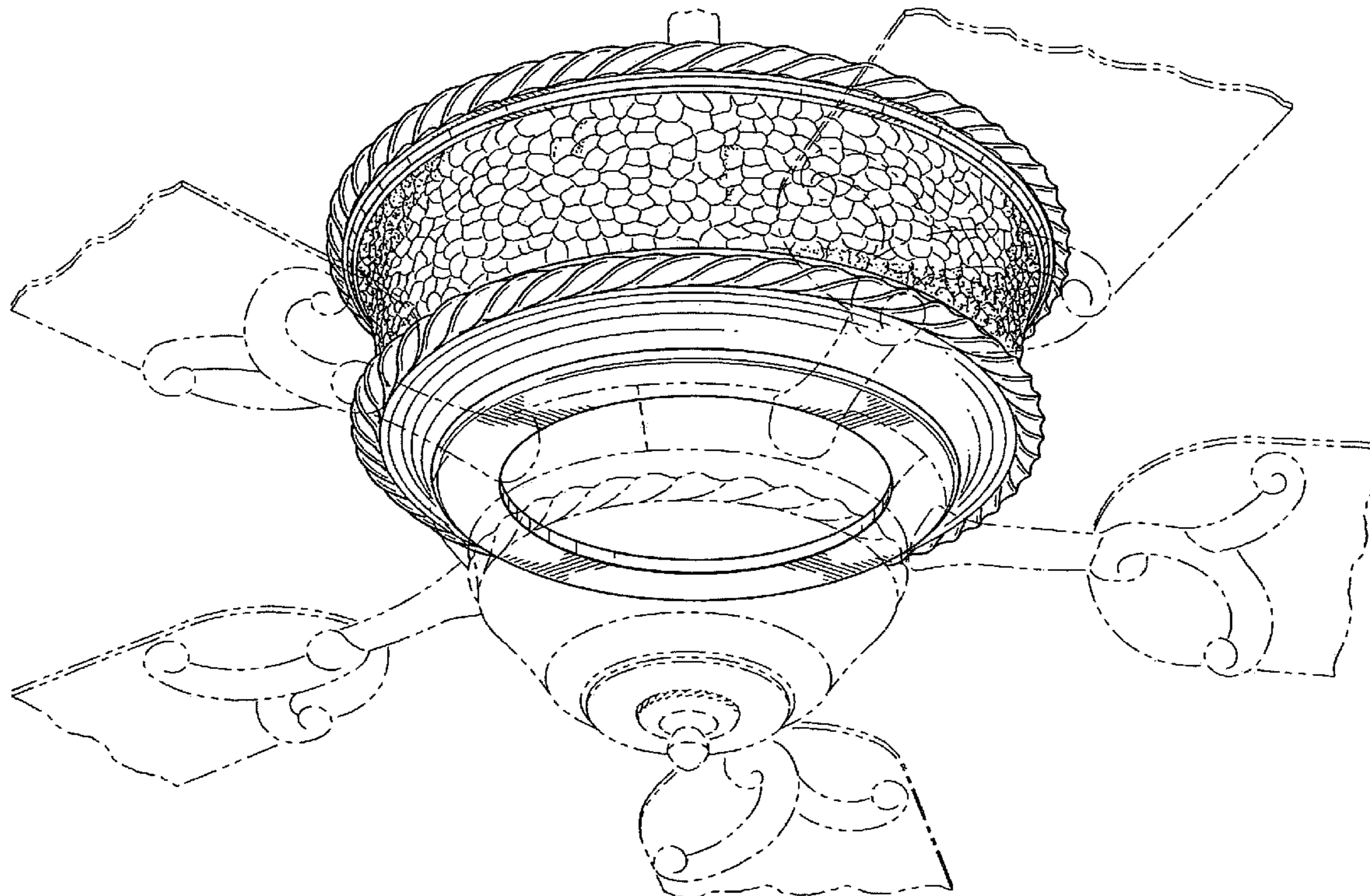
FIG. 3 is top plan view thereof; and,

FIG. 4 is a bottom plan view thereof.

The broken line showing of a ceiling fan canopy, support pole, blades, blade irons, and switching housing is included for the purpose of illustrating environmental structure and forms no part of the claimed design.

The stippled shading, fragmentarily shown in FIGS. 1 and 2, is understood to extend uniformly throughout the areas represented.

1 Claim, 3 Drawing Sheets



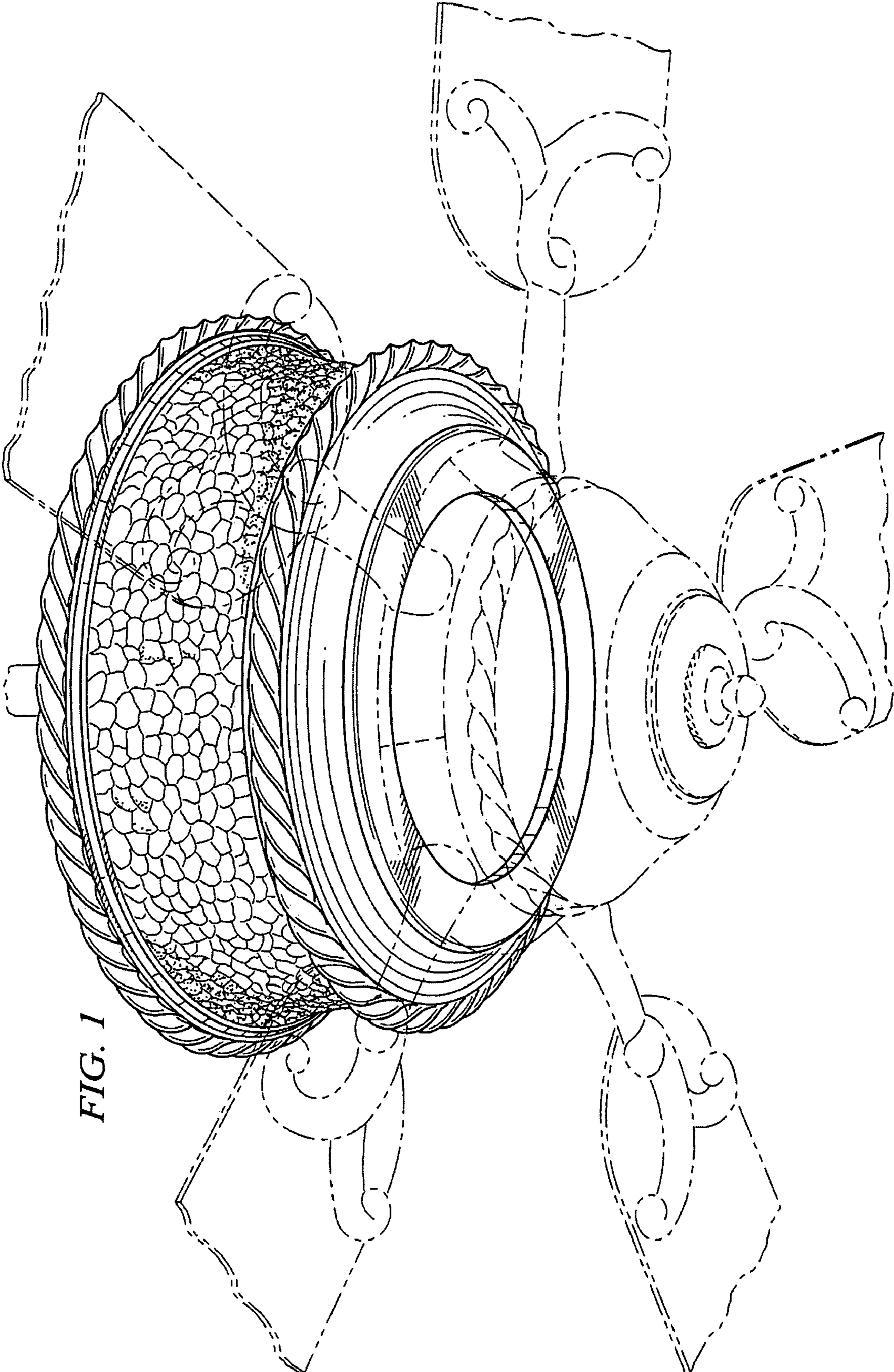


FIG. 1

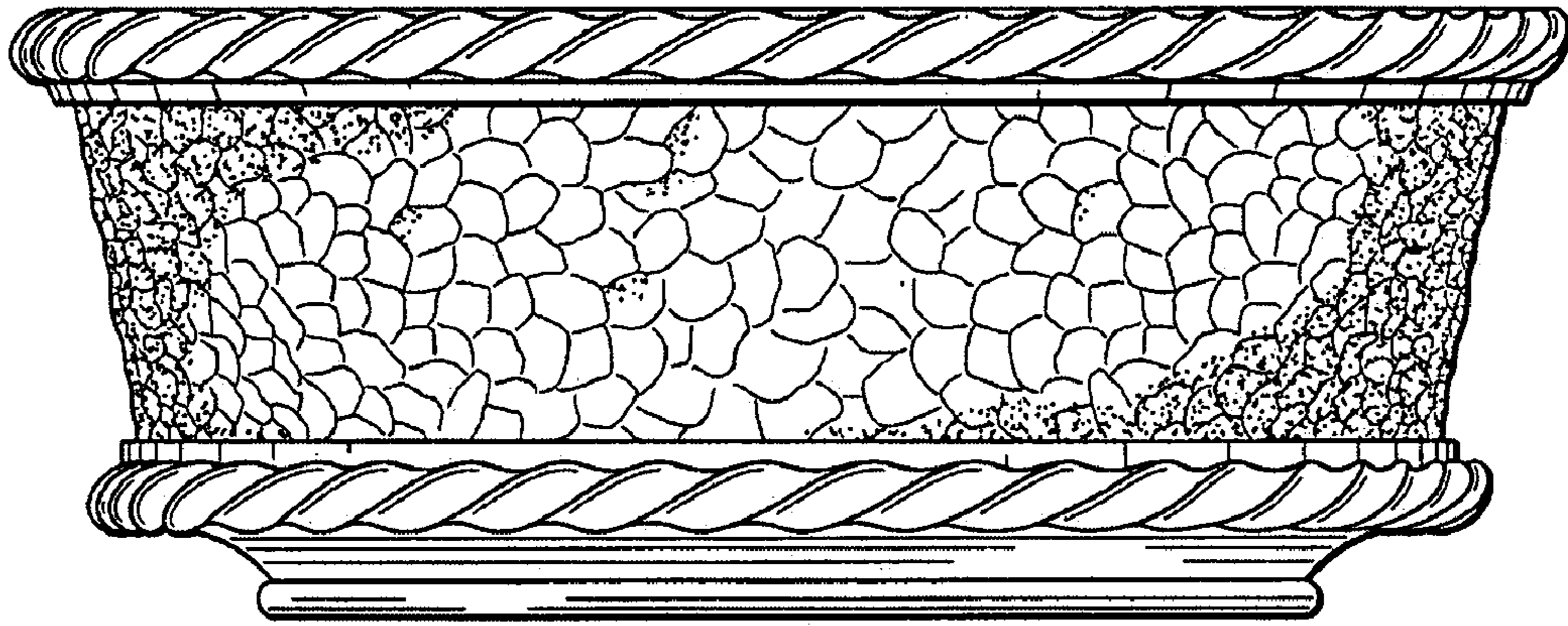


FIG. 2

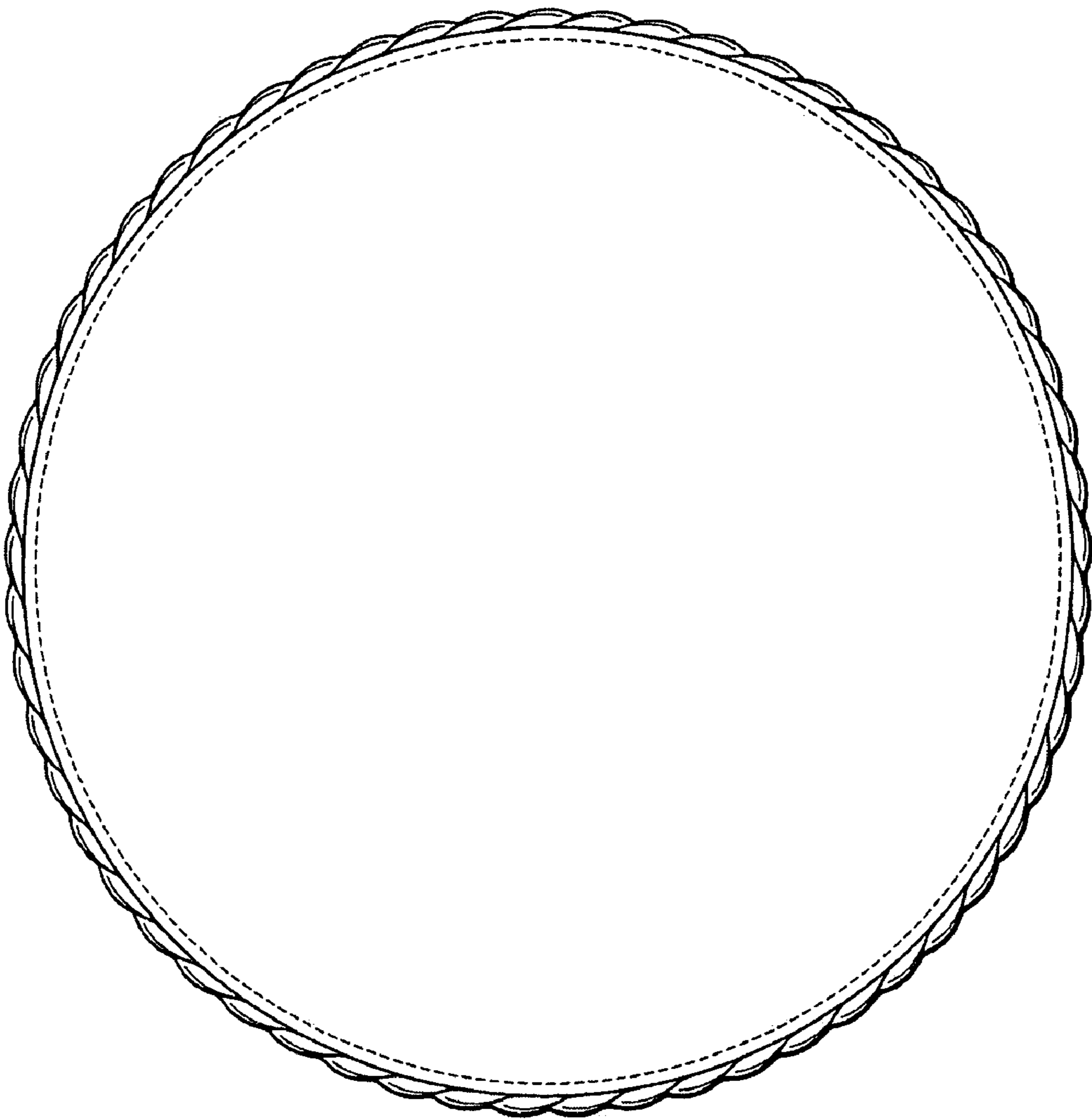


FIG. 3

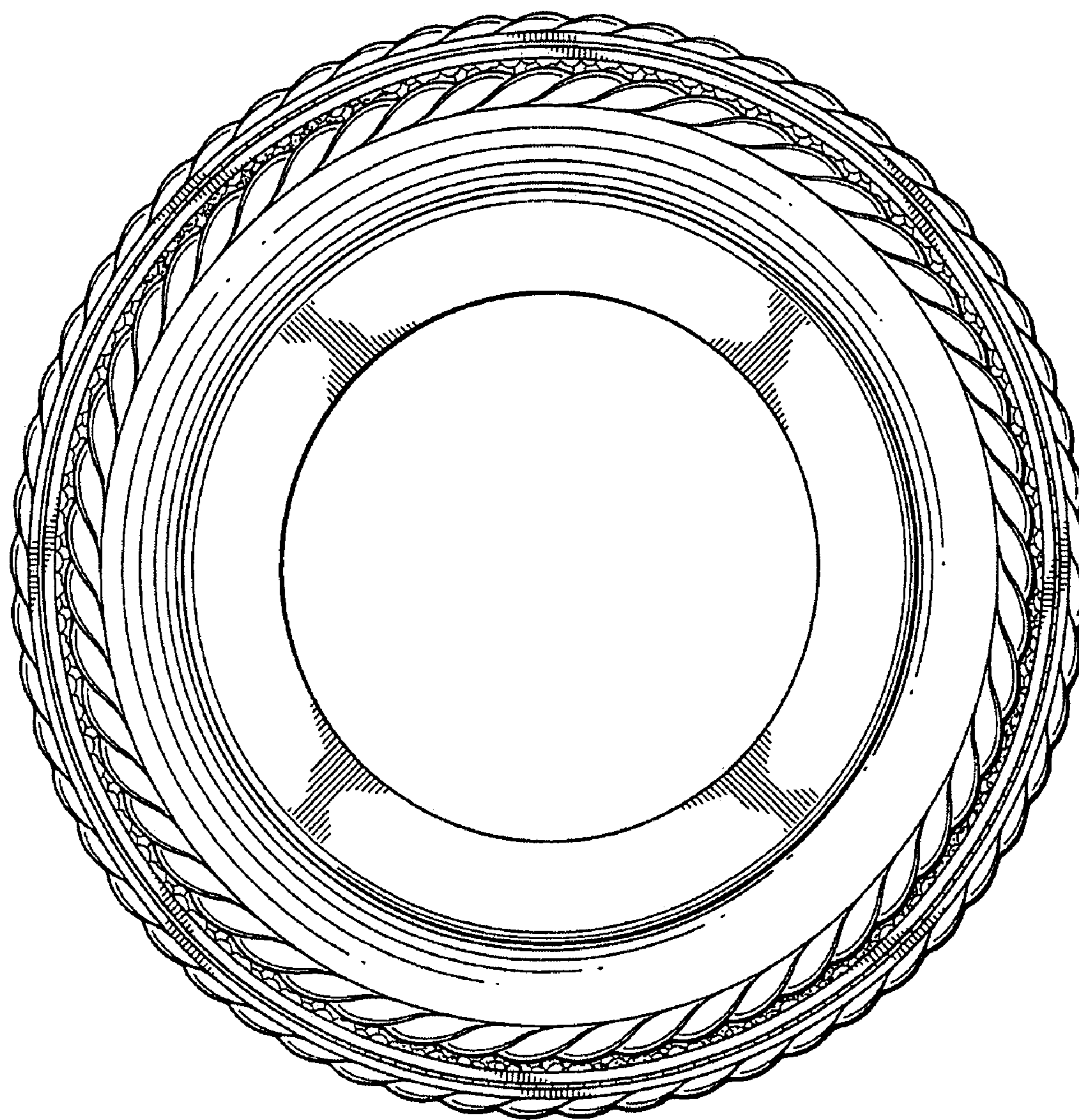


FIG. 4