



US00D556881S

(12) **United States Design Patent**  
**Bucher et al.**

(10) **Patent No.:** **US D556,881 S**

(45) **Date of Patent:** **\*\* Dec. 4, 2007**

(54) **COMBINED CEILING FAN AND LIGHT DOME**

(75) Inventors: **John C. Bucher**, Ft. Lauderdale, FL (US); **Scott Searle**, Hong Kong (HK)

(73) Assignee: **King of Fans, Inc.**, Ft. Lauderdale, FL (US)

(\*\*) Term: **14 Years**

(21) Appl. No.: **29/210,632**

(22) Filed: **Aug. 4, 2004**

(51) **LOC (8) Cl.** ..... **23-04**

(52) **U.S. Cl.** ..... **D23/377; 26/59**

(58) **Field of Classification Search** ..... D23/377, D23/379, 385, 411, 413; D26/59, 51, 81-86, D26/88, 72; 416/5

See application file for complete search history.

(56) **References Cited**

**U.S. PATENT DOCUMENTS**

D364,224 S	11/1995	Wang	.....	D23/377
D371,838 S	7/1996	Davis, Jr. et al.	.....	D23/411
D376,421 S	* 12/1996	Jaspers-Fayer	.....	D23/377
D378,404 S	3/1997	Jaspers-Jayer	.....	D23/377
D402,026 S	12/1998	Chuang et al.	.....	D23/377
D408,518 S	4/1999	Liu	.....	D23/377
D412,571 S	8/1999	Lee	.....	D23/377
D414,856 S	10/1999	Zuege	.....	D23/377
D421,799 S	* 3/2000	Zuege	.....	D23/411
D422,072 S	3/2000	Blateri	.....	D23/377
D443,352 S	6/2001	Lantz	.....	D23/413
D451,997 S	12/2001	Schwartz	.....	D23/413
D454,636 S	3/2002	Lantz	.....	D23/413

D469,950 S	2/2003	Scalise et al.	.....	D3/3
D480,471 S	10/2003	Hsieh	.....	D23/411
D484,233 S	12/2003	Bucher et al.	.....	D23/377
D485,345 S	1/2004	Bucher	.....	D23/377
D485,346 S	1/2004	Bucher et al.	.....	D23/377
D485,347 S	1/2004	Bucher et al.	.....	D23/377

\* cited by examiner

*Primary Examiner*—Lisa Lichtenstein

(74) *Attorney, Agent, or Firm*—Brian S. Steinberger; Law Offices of Brian S. Steinberger, P.A.

(57) **CLAIM**

The ornamental design for a combined ceiling fan and light dome, as shown and described.

**DESCRIPTION**

FIG. 1 is a perspective bottom view of a combined ceiling fan and light dome.

FIG. 2 is a perspective top view thereof.

FIG. 3 is a reduced bottom planar view of FIG. 1.

FIG. 4 is a reduced top planar view of FIG. 2

FIG. 5 is a perspective side view of FIGS. 1 and 2; and,

FIG. 6 is another perspective side view of FIGS. 1 and 2 that is perpendicular to the side view shown in FIG. 5.

The broken lines showing of a pull cord, cord guidance and pull knob in FIGS. 1, 2, 5 and 6 are for illustrative purposes and form no part of the claimed design, and the broken lines showing the cylindrical pipe below the ceiling canopy in FIGS. 1, 2, 5 and 6 are for illustrative purposes and form no part of the claimed design, and the broken lines showing the mounting holes in the blades in FIGS. 1, 2 and 4-6 are for illustrative purposes and form no part of the claimed design.

**1 Claim, 6 Drawing Sheets**

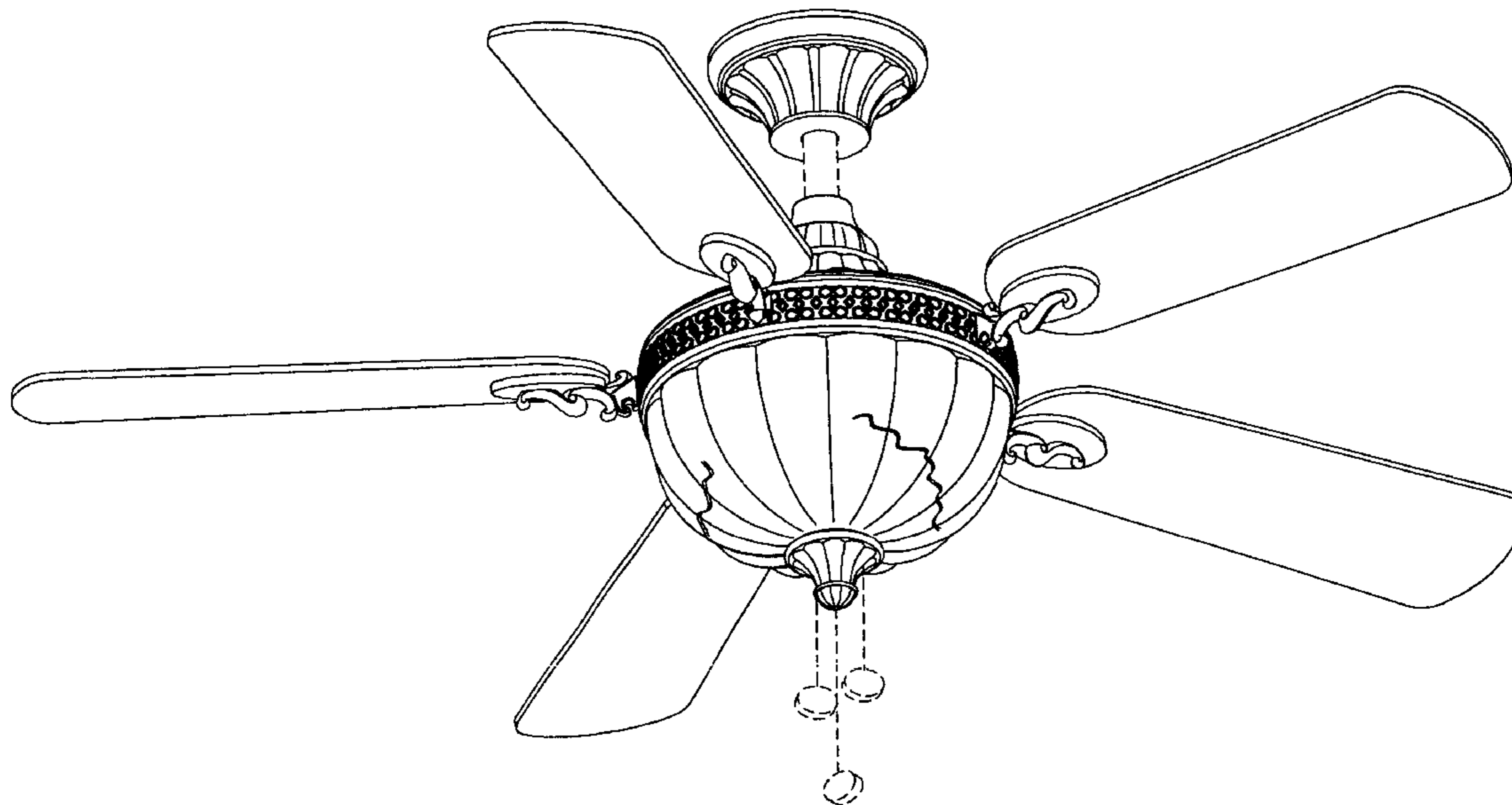


Fig.1

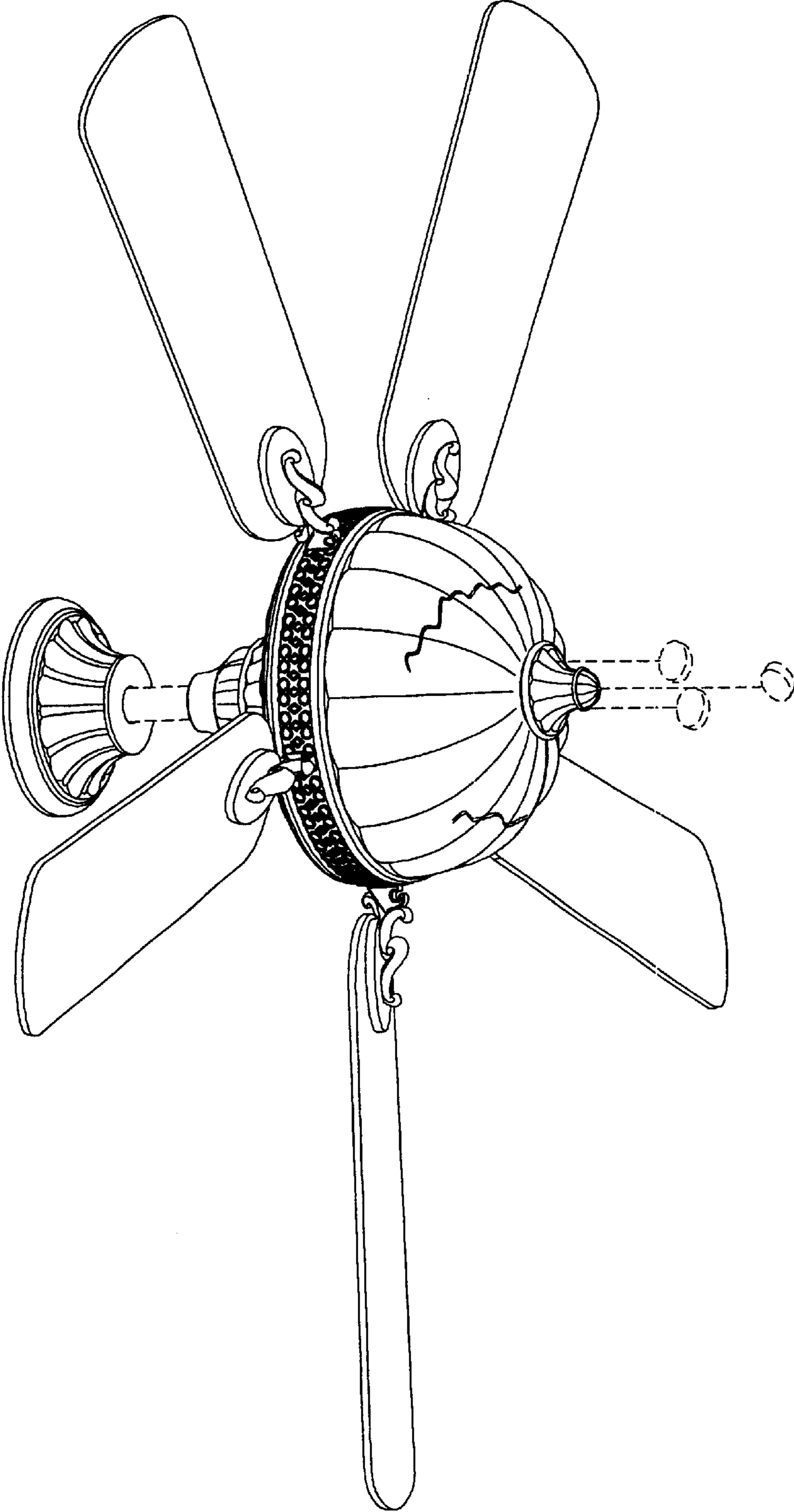
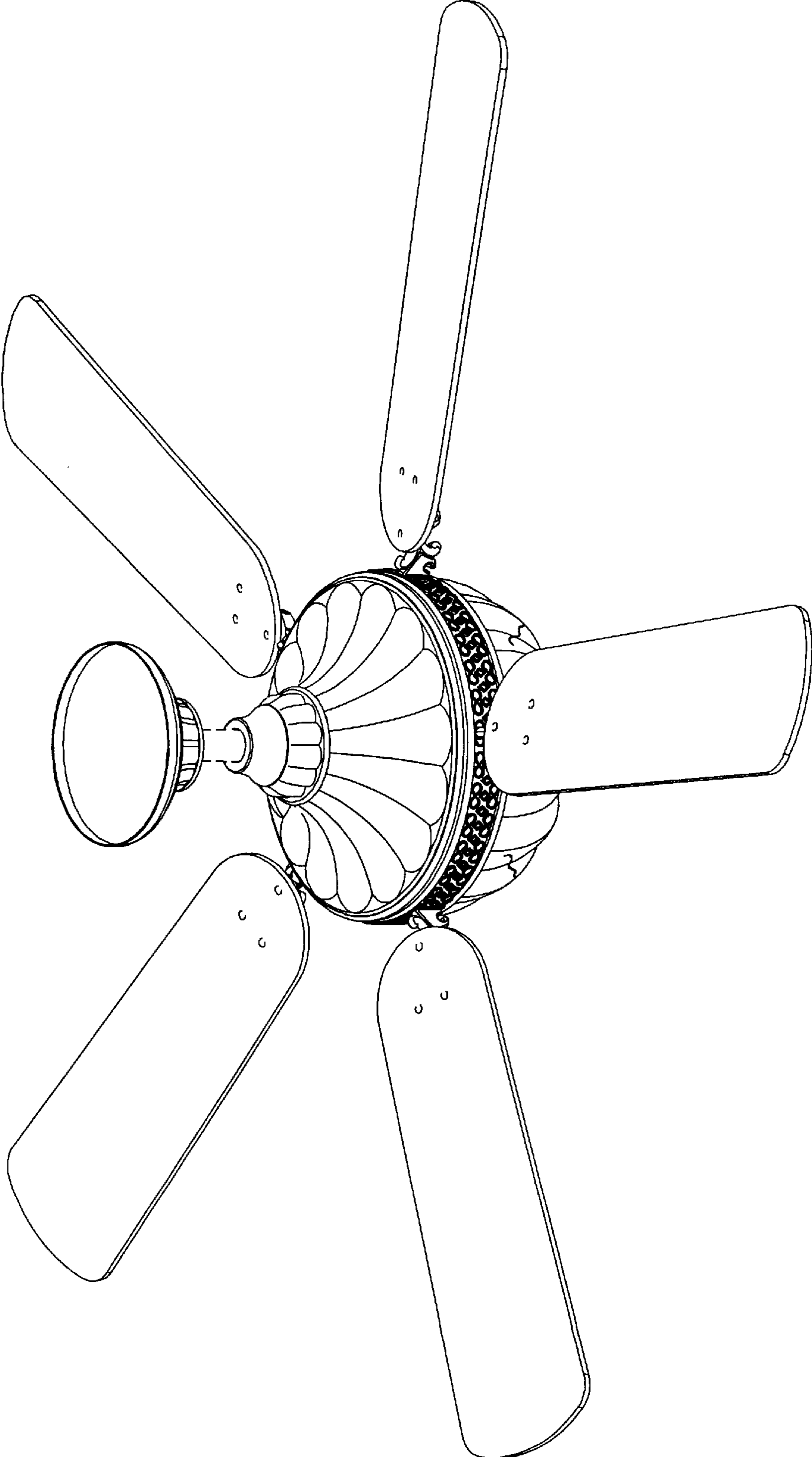


Fig.2



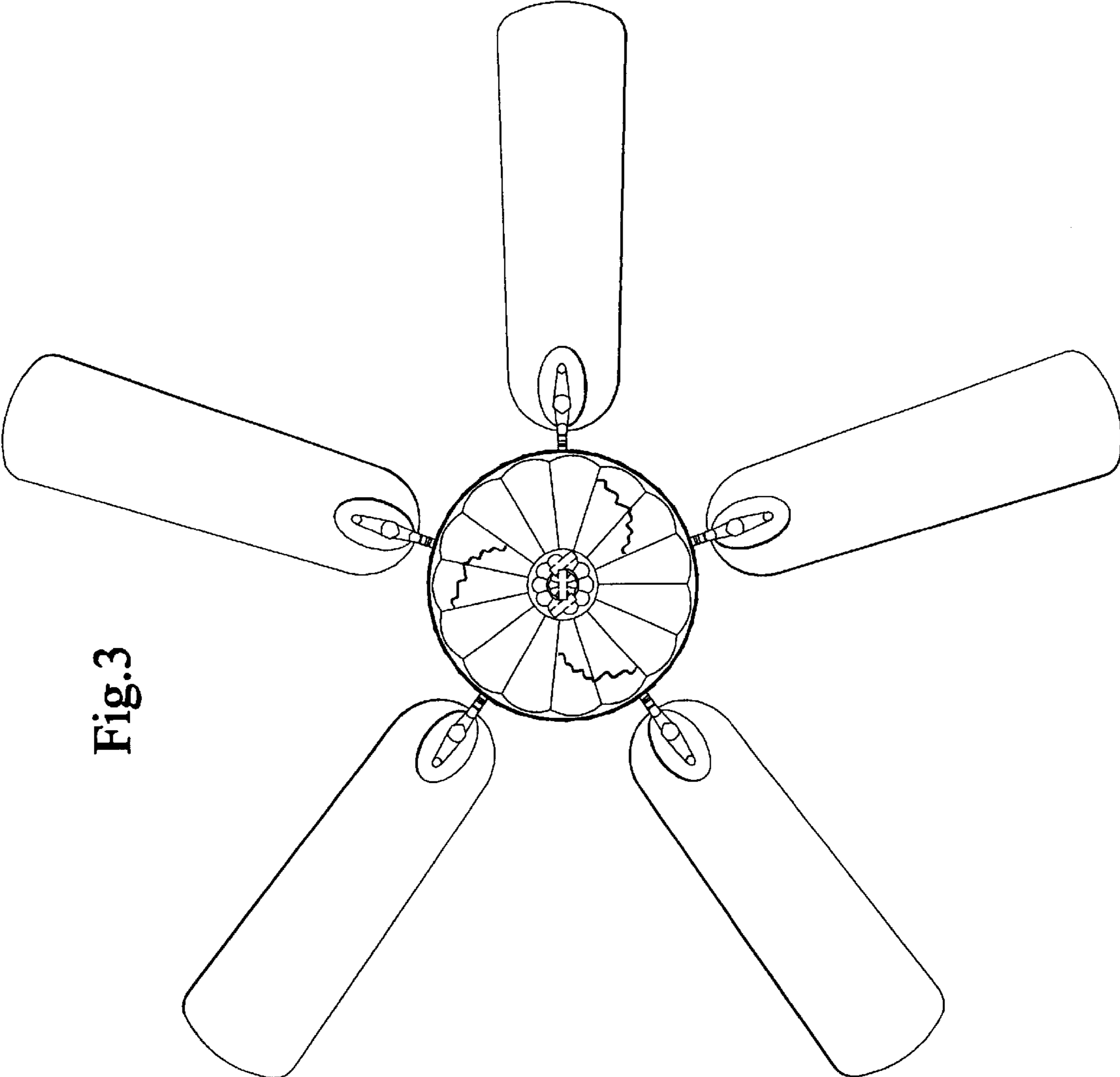


Fig.3

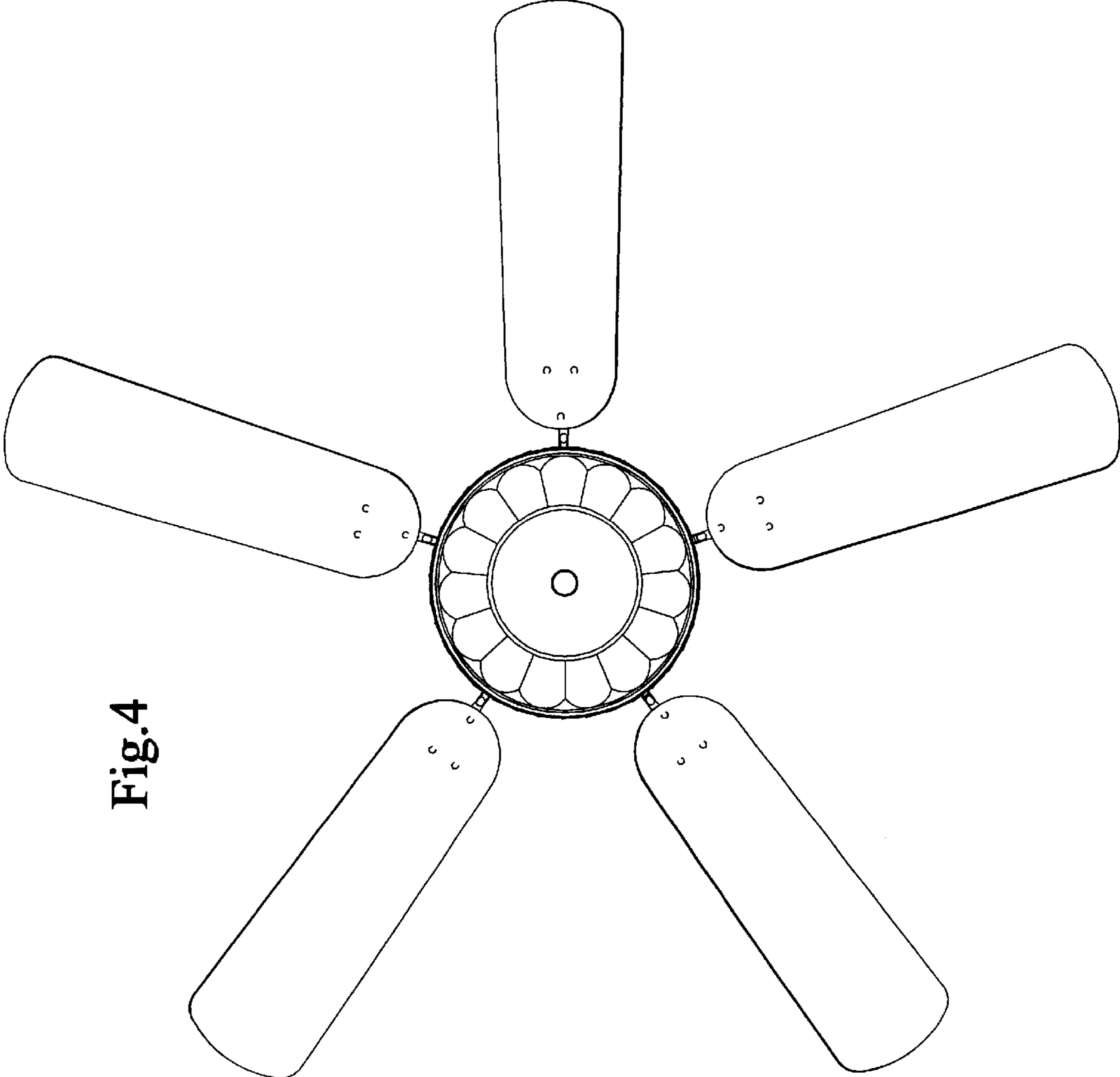


Fig.4

Fig. 5

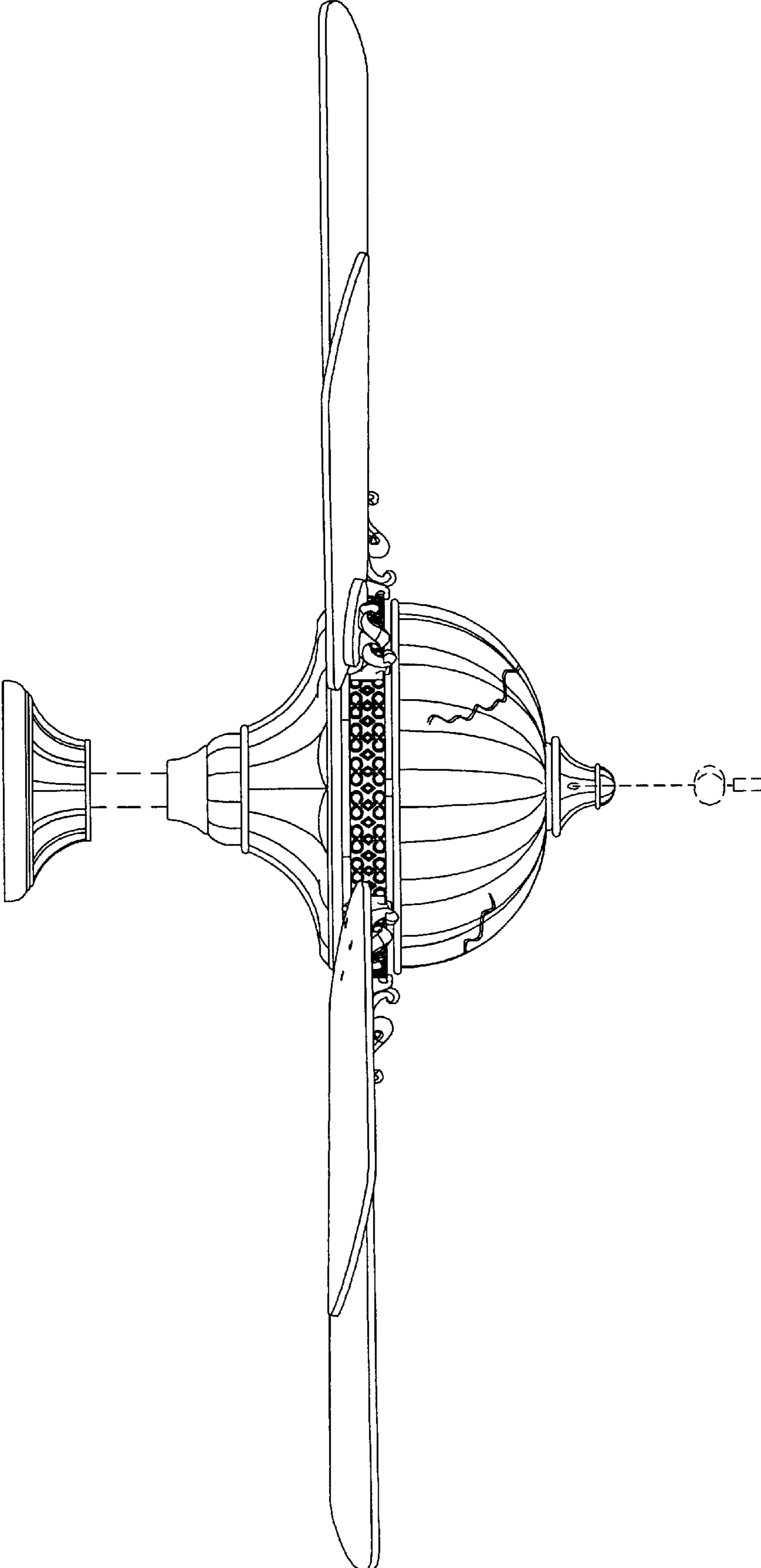


Fig.6

