



US00D556879S

(12) **United States Design Patent**  
**Lee**

(10) **Patent No.:** **US D556,879 S**  
(45) **Date of Patent:** **\*\* Dec. 4, 2007**

(54) **WALL-MOUNTED TYPE AIR CONDITION**

(75) Inventor: **Joo-Hyung Lee**, Seoul (KR)

(73) Assignee: **Samsung Electronics Co., Ltd.**,  
Kyunggi-Do (KR)

(\*\*) Term: **14 Years**

(21) Appl. No.: **29/273,430**

(22) Filed: **Mar. 6, 2007**

(51) **LOC (8) Cl.** ..... **23-04**

(52) **U.S. Cl.** ..... **D23/351**

(58) **Field of Classification Search** ..... D23/351-354;  
312/236; 62/259.1, 259.4, 262-263, 304;  
454/330-331, 349-350

See application file for complete search history.

(56) **References Cited**

**U.S. PATENT DOCUMENTS**

D368,305 S *	3/1996	Shigenari et al. ....	D23/351
D417,910 S *	12/1999	Nonaka .....	D23/351
D420,116 S *	2/2000	Kobayashi .....	D23/351
D426,626 S *	6/2000	Nonaka .....	D23/351
D439,317 S *	3/2001	Kobayashi .....	D23/351
D446,292 S *	8/2001	Asakura et al. ....	D23/351
D448,073 S *	9/2001	Wakasa .....	D23/351
D449,095 S *	10/2001	Yanagida et al. ....	D23/351
D450,823 S *	11/2001	Kobayashi .....	D23/351
D451,586 S *	12/2001	Oya et al. ....	D23/351
D454,188 S *	3/2002	Nonaka .....	D23/351
D465,016 S *	10/2002	Nanjo et al. ....	D23/351

D487,142 S *	2/2004	Yoo .....	D23/351
D529,158 S *	9/2006	Ueno et al. ....	D23/351
D529,593 S	10/2006	Mishiro et al.	
D529,595 S *	10/2006	Ueno et al. ....	D23/351
D531,292 S	10/2006	Kim et al.	
D536,430 S *	2/2007	Miyake et al. ....	D23/351
D539,405 S	3/2007	Jung et al.	
D539,883 S	4/2007	Lee et al.	
D539,889 S *	4/2007	Chooji et al. ....	D23/351

\* cited by examiner

*Primary Examiner*—Brian N Vinson

(74) *Attorney, Agent, or Firm*—Flynn, Thiel, Boutell & Tanis, P.C

(57) **CLAIM**

The ornamental design for a wall-mounted type air condition, as shown and described.

**DESCRIPTION**

FIG. 1 is a top front perspective view of a wall-mounted type air condition showing my new design;

FIG. 2 is a front elevational view thereof;

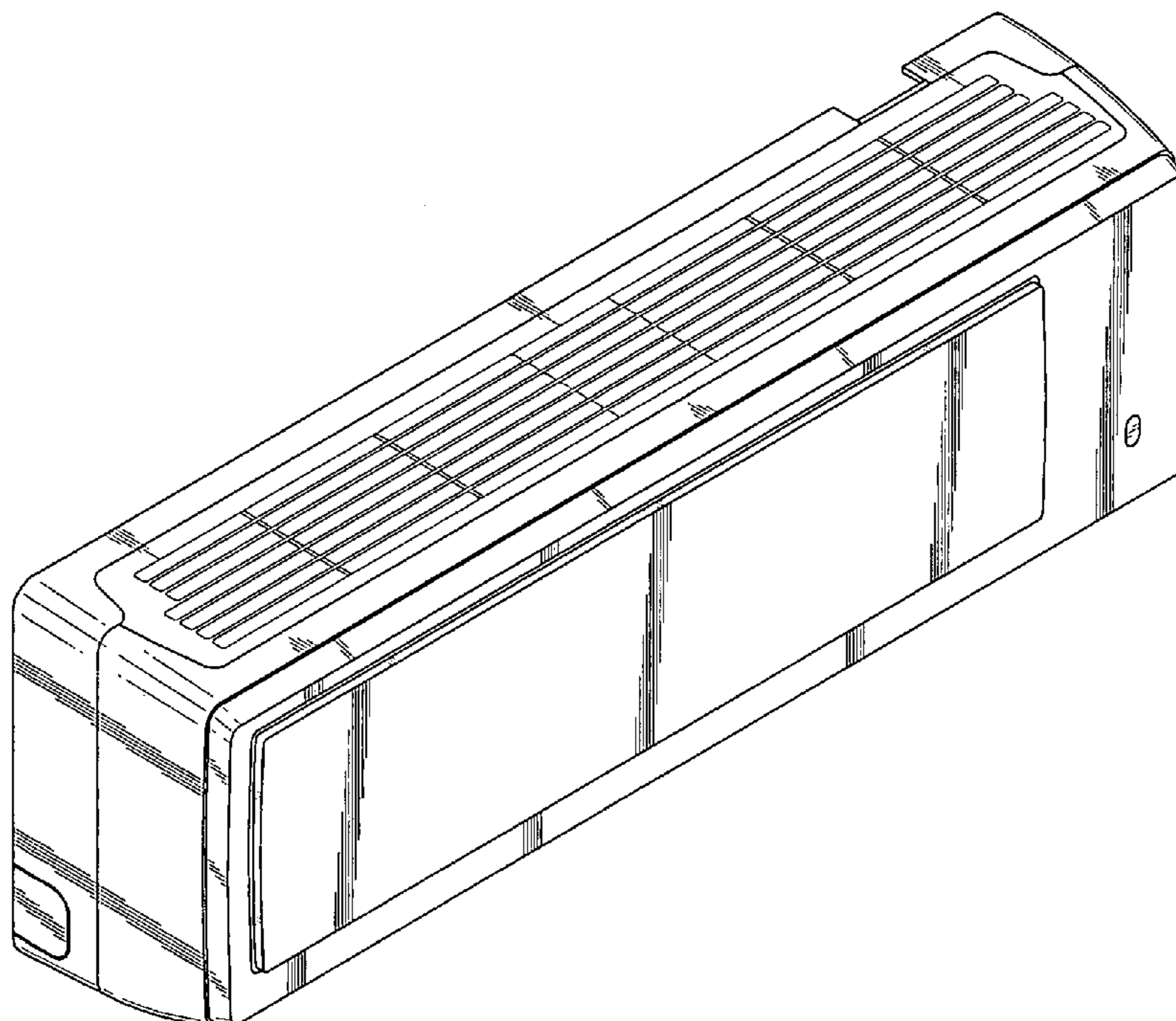
FIG. 3 is a rear elevational view thereof;

FIG. 4 is a left side elevational view, the right side being symmetrical thereof;

FIG. 5 is a top plan view thereof; and,

FIG. 6 is a bottom plan view thereof.

**1 Claim, 4 Drawing Sheets**



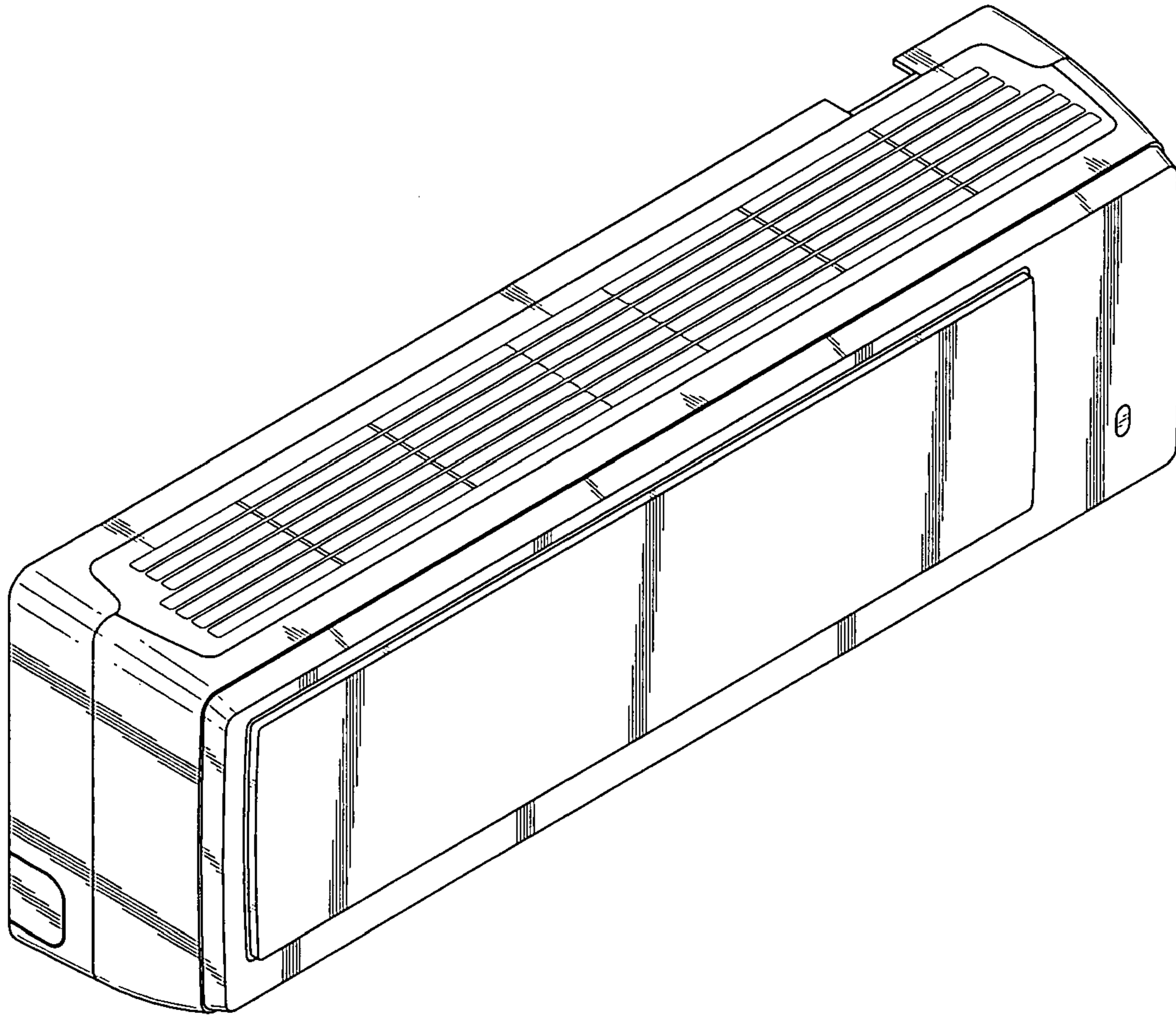


FIG. 1

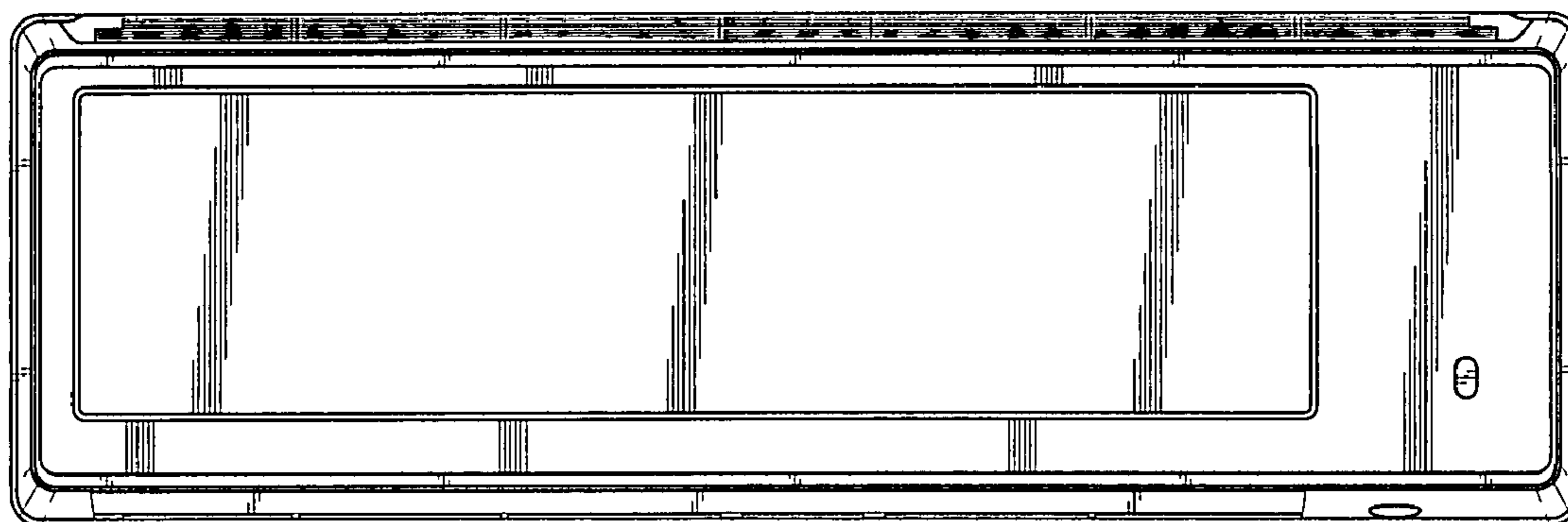


FIG. 2

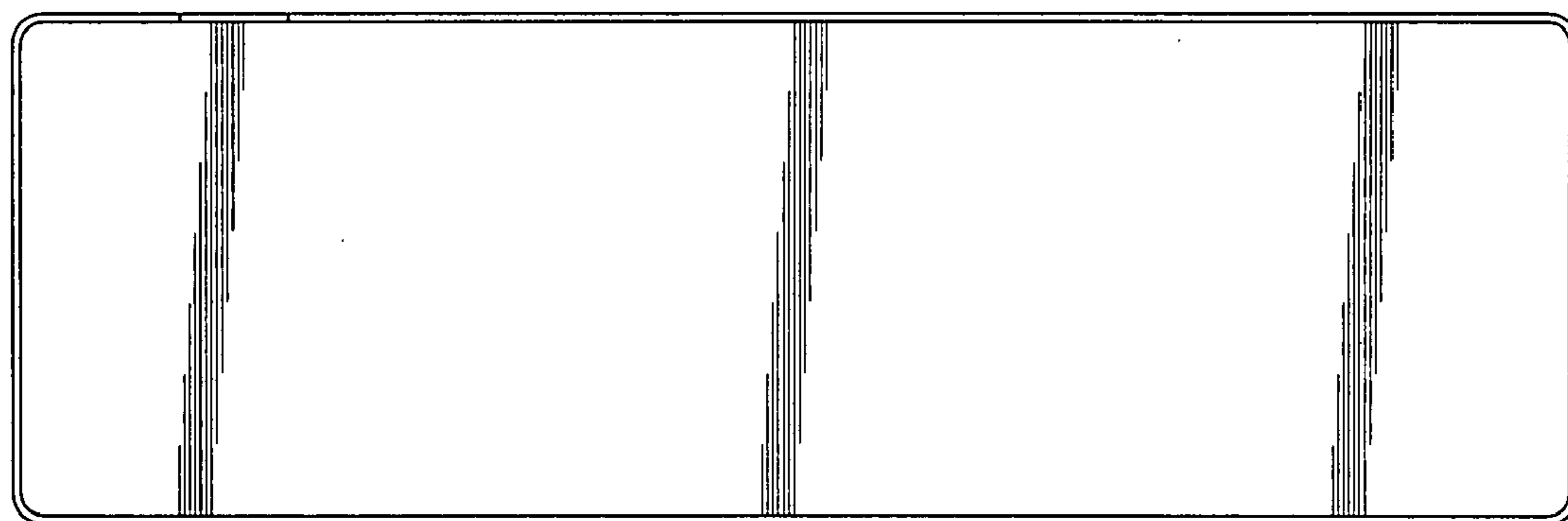


FIG. 3

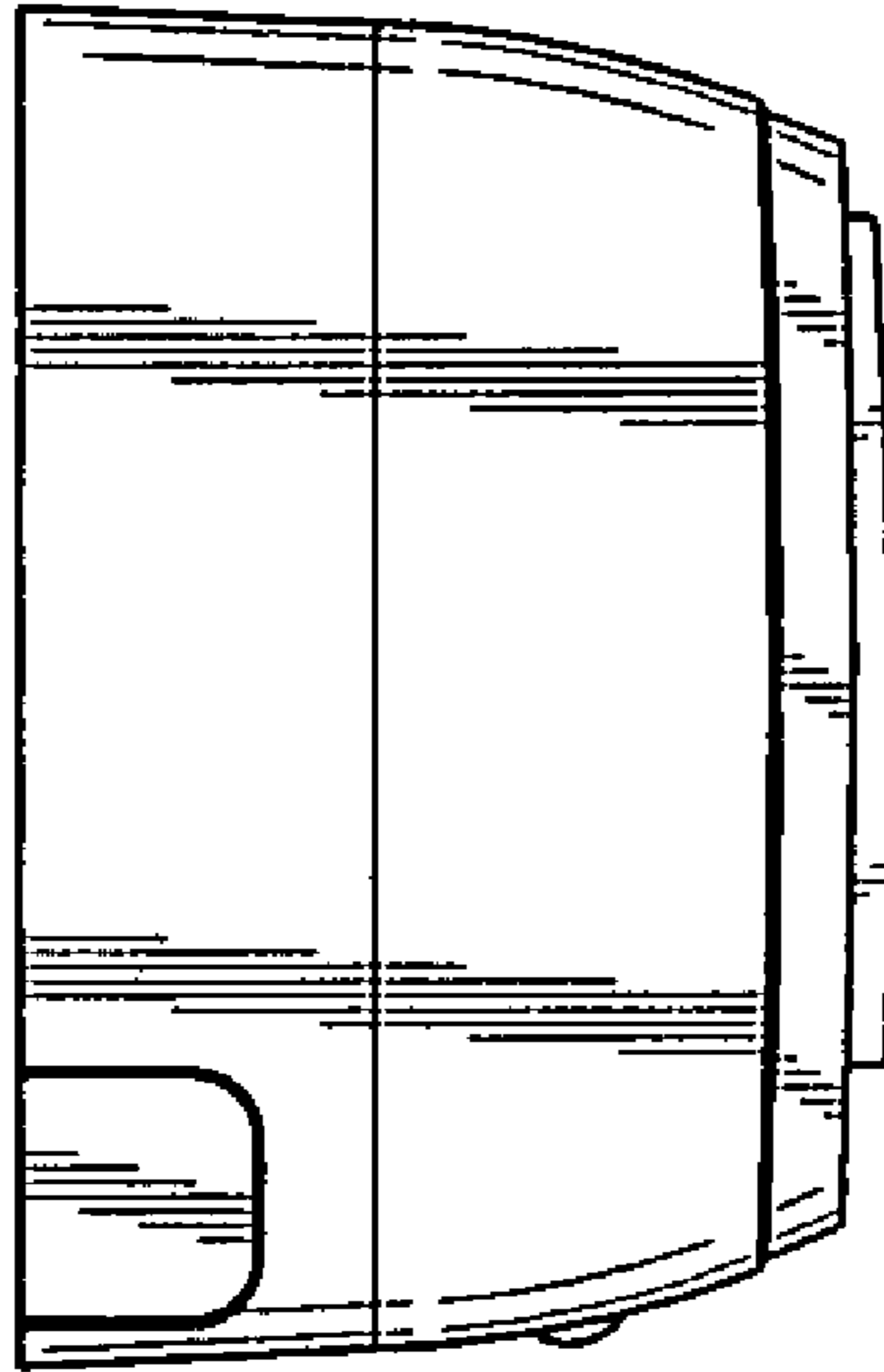


FIG. 4

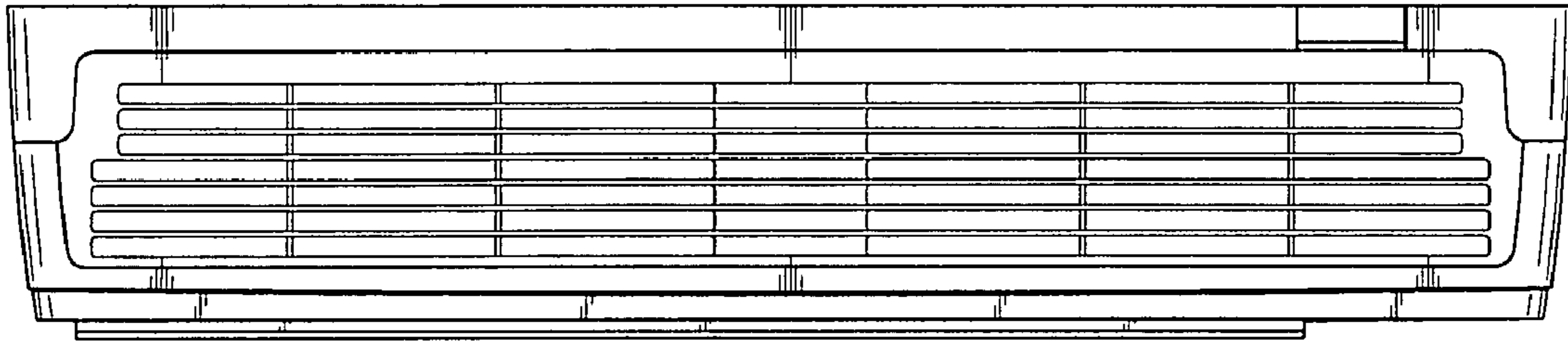


FIG. 5

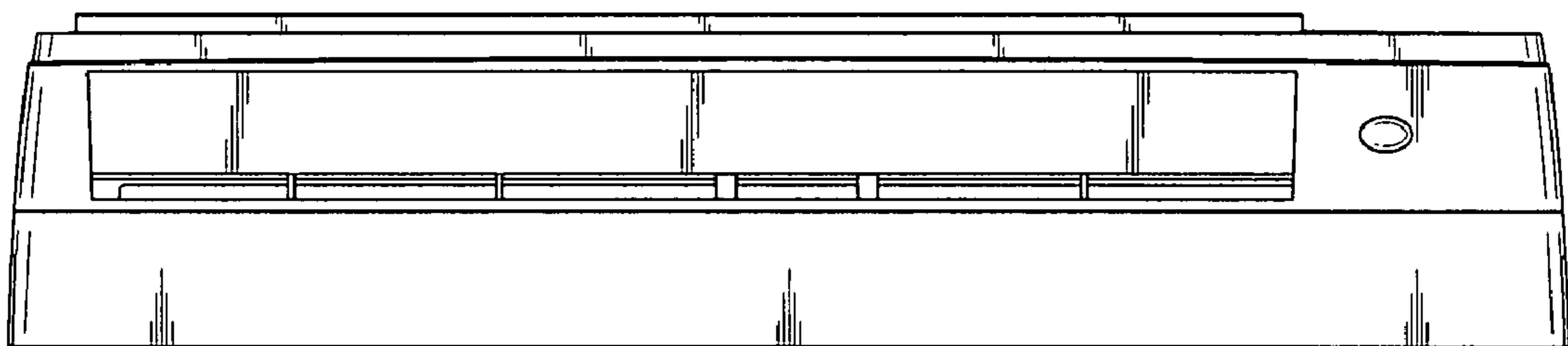


FIG. 6