



US00D556878S

(12) **United States Design Patent**  
**Radtke et al.**

(10) **Patent No.:** **US D556,878 S**

(45) **Date of Patent:** **\*\* Dec. 4, 2007**

(54) **HANDHELD FAN**

(75) Inventors: **Lee Radtke**, Lake Zurich, IL (US);  
**Mary G. James**, Chicago, IL (US);  
**Yung Chen**, Clarendon Hills, IL (US)

(73) Assignee: **Squeeze Breeze/Circular, a division of GLJ, LLC**, Chicago, IL (US)

(\*\*) Term: **14 Years**

(21) Appl. No.: **29/252,027**

(22) Filed: **Jan. 18, 2006**

(51) **LOC (8) Cl.** ..... **23-03**

(52) **U.S. Cl.** ..... **D23/328; D23/314**

(58) **Field of Classification Search** ..... D23/328,  
D23/381, 382, 379, 370, 377, 225, 213, 337,  
D23/332, 335, 411, 226, 228, 413, 371, 13-18,  
D23/89; D9/307, 436, 522, 575, 300, 685,  
D9/643, 682, 553; 416/95, 146 R, 63, 244 R,  
416/247; 261/28, 30, 82, 89, 90, 24; 239/289,  
239/77, 214.25, 221.11, 302, 327, 340, 349,  
239/351, 355, 375, 600, 352, 310, 311, 337;  
222/333; D28/89, 88, 85, 77; 61/28; 454/370;  
34/97; 392/373, 374, 383, 384; D19/43,  
D19/51, 48

See application file for complete search history.

(56) **References Cited**

**U.S. PATENT DOCUMENTS**

2,347,774 A \* 5/1944 Gelardin ..... 401/82  
2,508,164 A \* 5/1950 Hopgood ..... 401/61  
D329,088 S \* 9/1992 Yuen ..... D23/377  
D334,976 S \* 4/1993 Yuen ..... D23/377  
D340,767 S \* 10/1993 Luke ..... D23/382  
D364,006 S \* 11/1995 Kamen ..... D28/88  
5,851,106 A \* 12/1998 Steiner et al. .... 416/63  
6,109,874 A \* 8/2000 Steiner et al. .... 416/63

6,378,845 B1 \* 4/2002 Hsu ..... 261/28  
D466,252 S \* 11/2002 Yu ..... D28/88  
D483,155 S \* 12/2003 Orsomando ..... D28/89  
D539,984 S \* 4/2007 Egawa ..... D28/89  
2005/0201864 A1 9/2005 Yoshida et al. .... 416/206

**FOREIGN PATENT DOCUMENTS**

JP 2001/050190 2/2001  
JP 2005/256706 9/2005

**OTHER PUBLICATIONS**

1 page from alibaba.com.\*  
1 pages from sz-wholesale.com.\*  
1 page from asisupplier.com.\*

\* cited by examiner

*Primary Examiner*—Ian Simmons

*Assistant Examiner*—Anna K Dworzecka

(74) *Attorney, Agent, or Firm*—Gifford, Krass, Sprinker,  
Anderson, & Citkowski, P.C.

(57) **CLAIM**

We claim the ornamental design for a handheld fan, as shown and described.

**DESCRIPTION**

FIG. 1 is an assembled perspective view of a handheld fan with the cover cap on showing our new design;

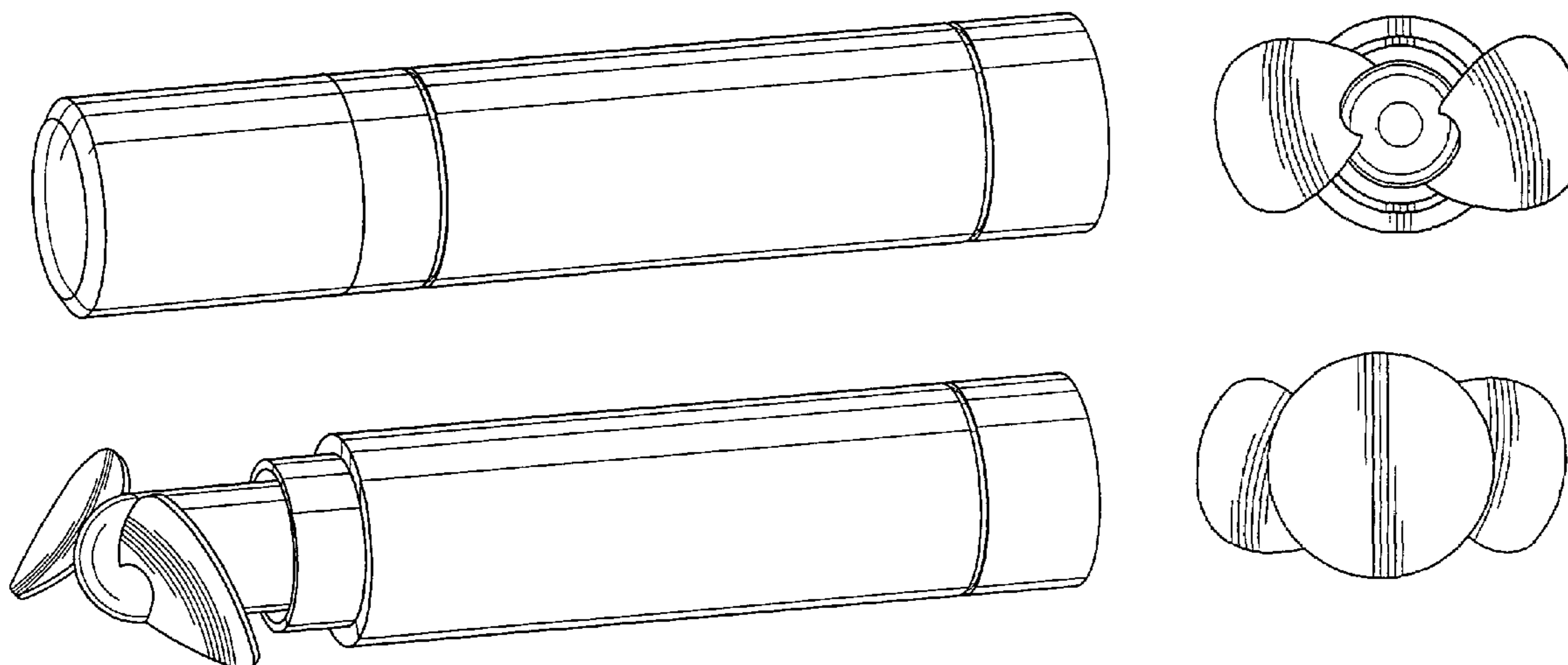
FIG. 2 is a perspective view of the present design with its cover cap removed;

FIG. 3 is a right side plan view of the present design of FIG. 2, a corresponding left side plan view being a mirror image thereof;

FIG. 4 is a front view of the present design as shown in FIG. 2; and,

FIG. 5 is a rear view of the present design.

**1 Claim, 2 Drawing Sheets**



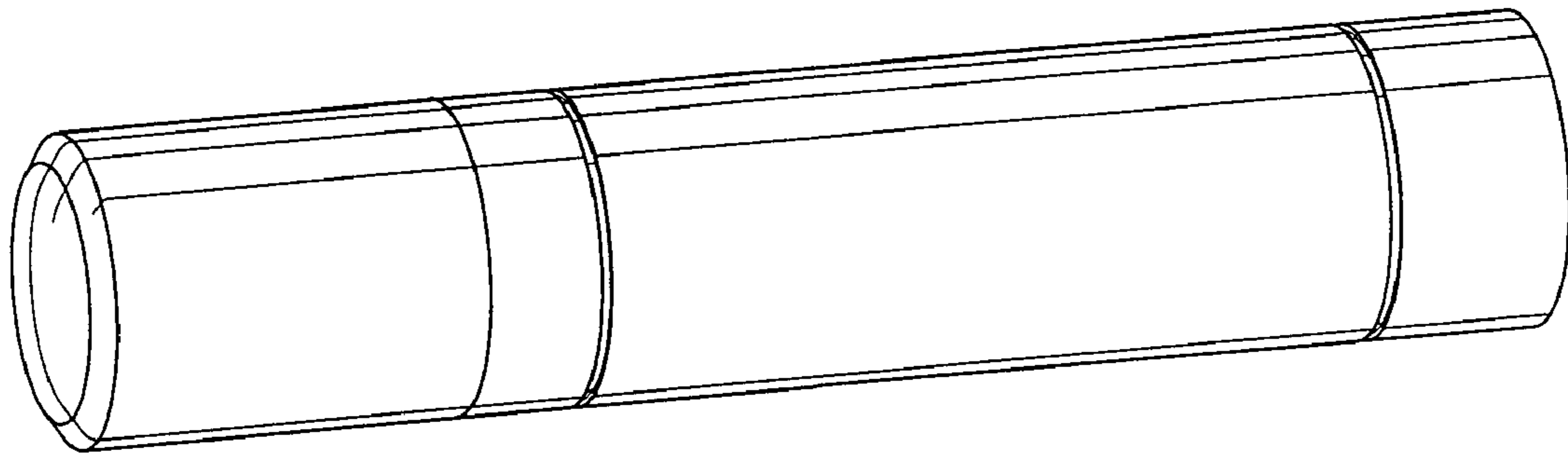


Fig-1

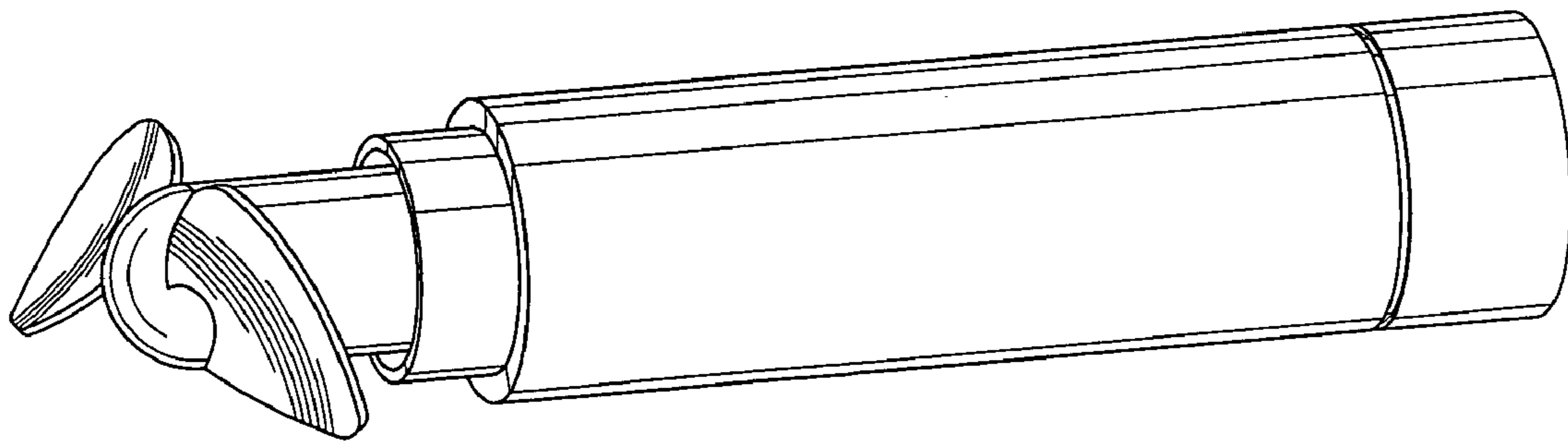


Fig-2

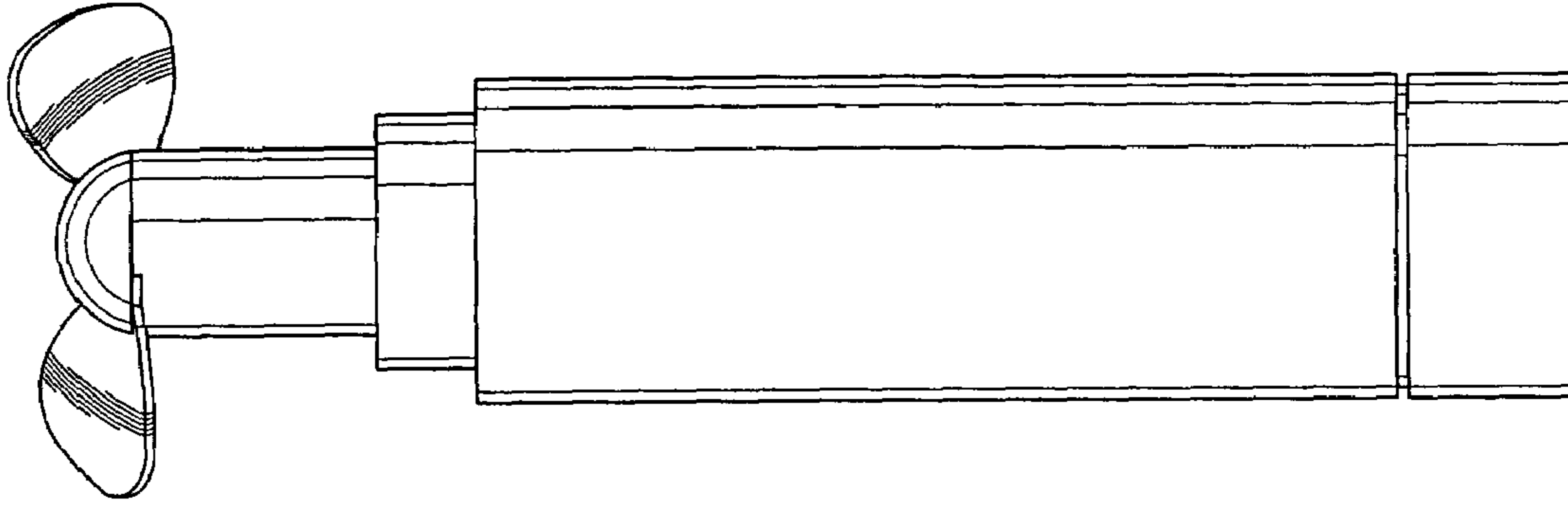


Fig-3

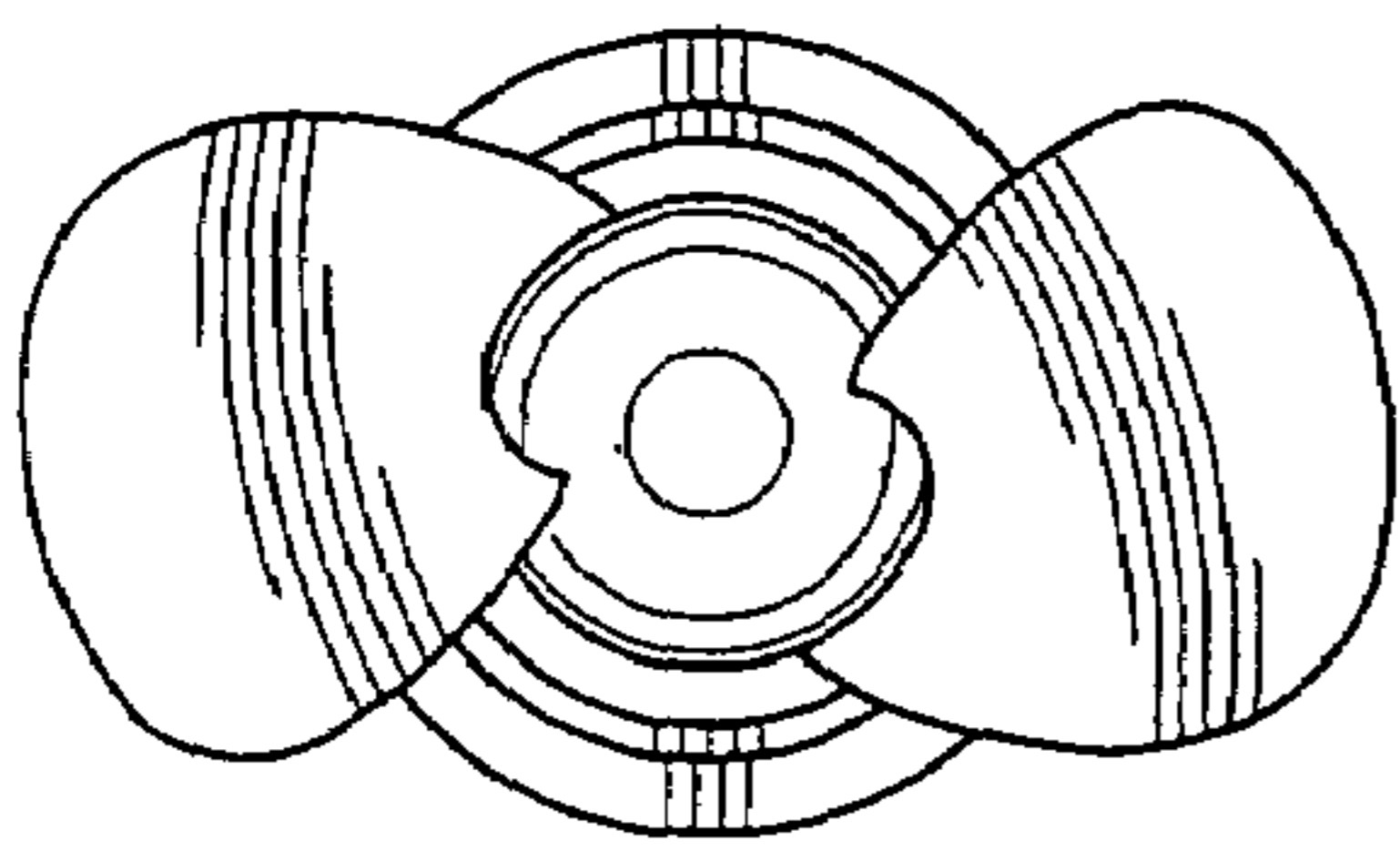


Fig-4

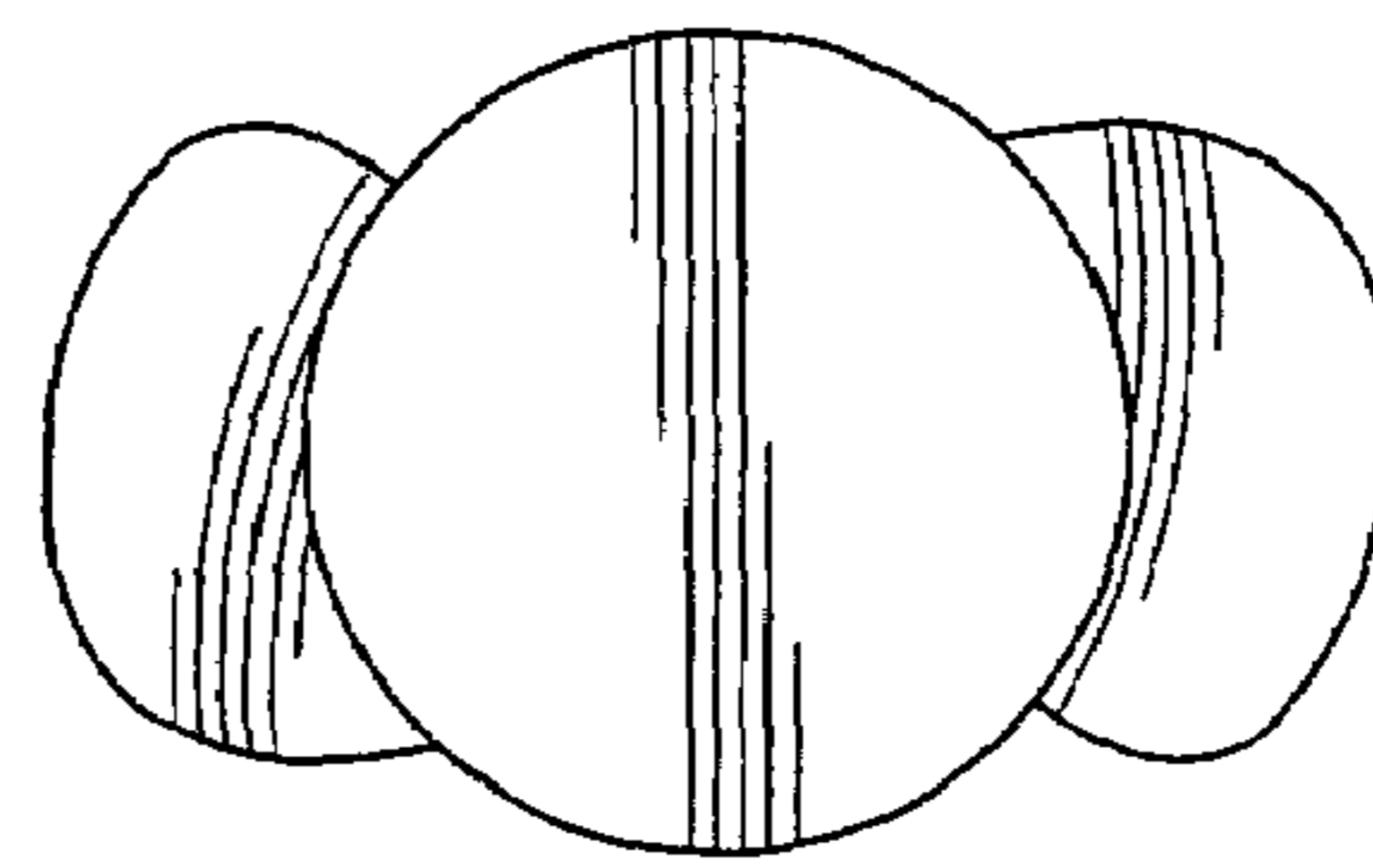


Fig-5