



US00D556875S

(12) **United States Design Patent**  
**Zandren**

(10) **Patent No.:** **US D556,875 S**

(45) **Date of Patent:** **\*\* Dec. 4, 2007**

(54) **POTTY CHAIR SUPPORT STRIP**

(75) Inventor: **Andreas Zandren**, Tyreso (SE)

(73) Assignee: **Baby Bjorn AB**, Danderyd (SE)

(\*\*) Term: **14 Years**

(21) Appl. No.: **29/271,915**

(22) Filed: **Jan. 30, 2007**

(51) **LOC (8) Cl.** ..... **23-02**

(52) **U.S. Cl.** ..... **D23/309**

(58) **Field of Classification Search** ..... D6/495;  
D23/303, 309; 4/479, 902  
See application file for complete search history.

(56) **References Cited**

**U.S. PATENT DOCUMENTS**

579,512 A *	3/1897	Chamber	4/479
4,069,522 A *	1/1978	Messmer et al.	4/483
4,193,142 A *	3/1980	Henningfield	4/483
D421,645 S *	3/2000	Karnoski	D23/309
2005/0000008 A1 *	1/2005	Spitzer	4/483

**OTHER PUBLICATIONS**

Potty Chair photographs (11).

\* cited by examiner

*Primary Examiner*—Robert A. Delehanty

(74) *Attorney, Agent, or Firm*—Jacobson Holman PLLC

(57) **CLAIM**

The ornamental design for a potty chair support strip, as shown and described.

**DESCRIPTION**

FIG. 1 is a bottom perspective view showing my new design for a potty chair support strip,

FIG. 2 is a top view thereof,

FIG. 3 is a bottom view thereof,

FIG. 4 is a front view thereof

FIG. 5 is a rear view thereof;

FIG. 6 is a left side view thereof; and,

FIG. 7 is a right side view.

The broken lines showing of potty chair are for illustrative purposes only and forms no art of the claimed design.

**1 Claim, 4 Drawing Sheets**

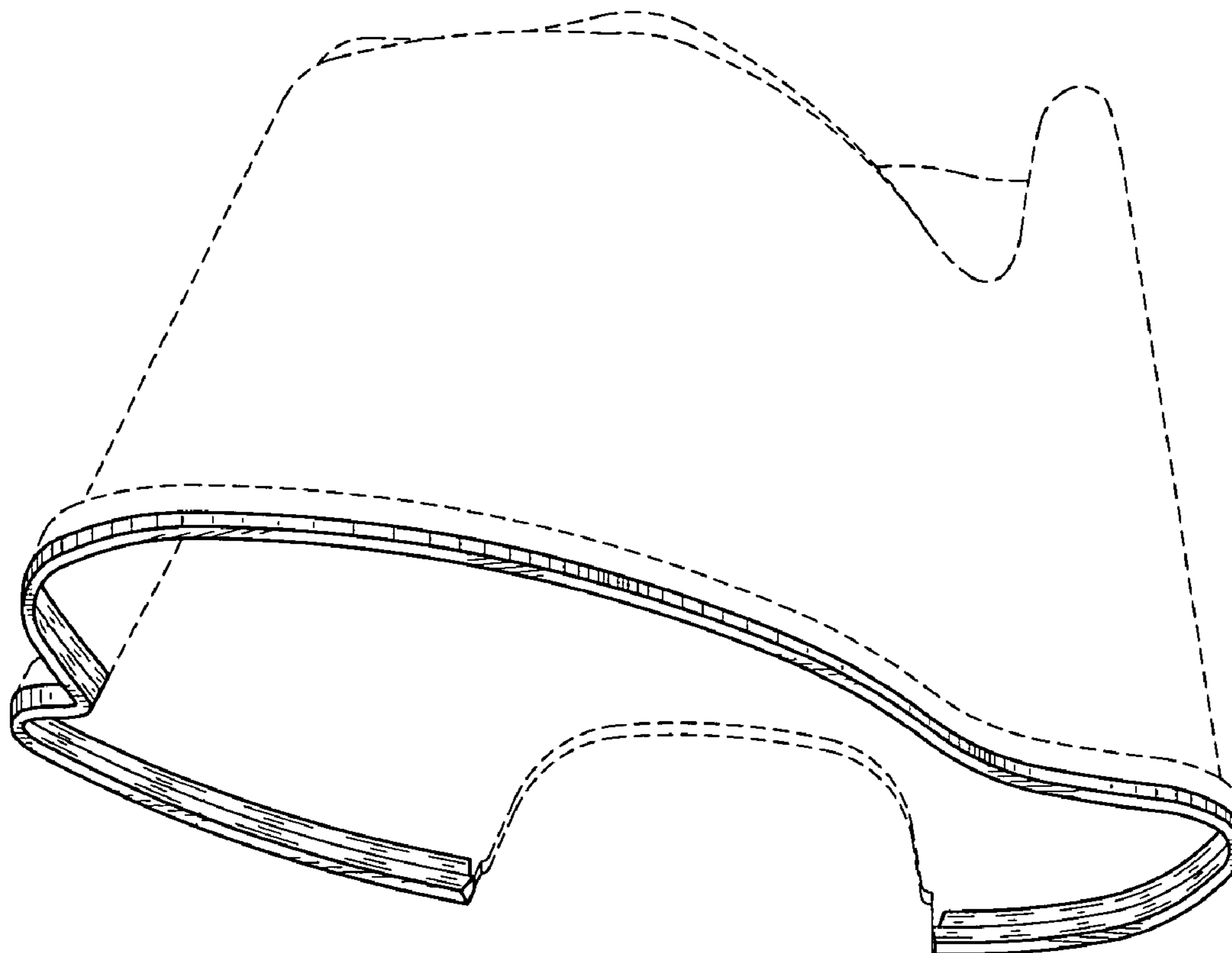


FIG. 1

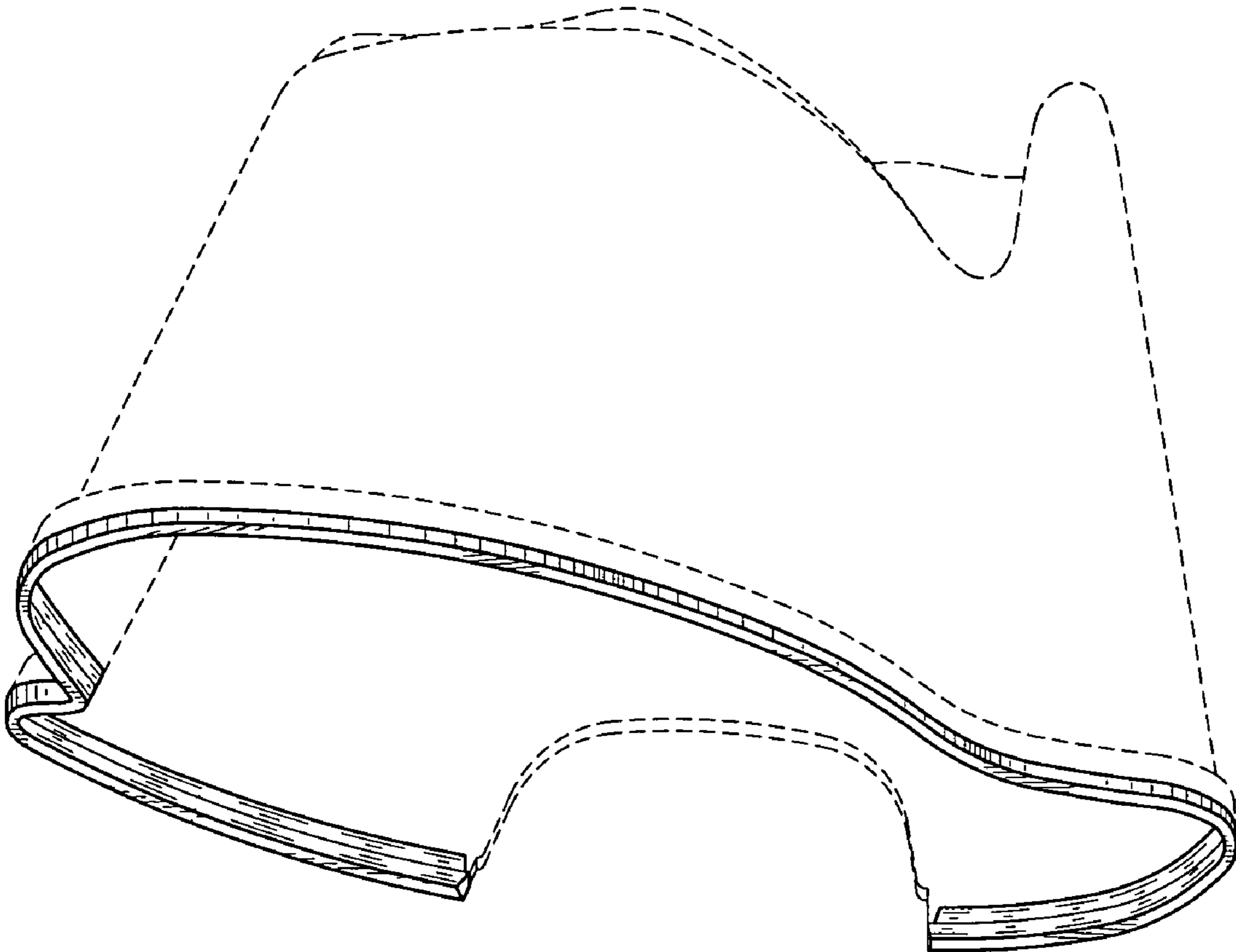


FIG. 2

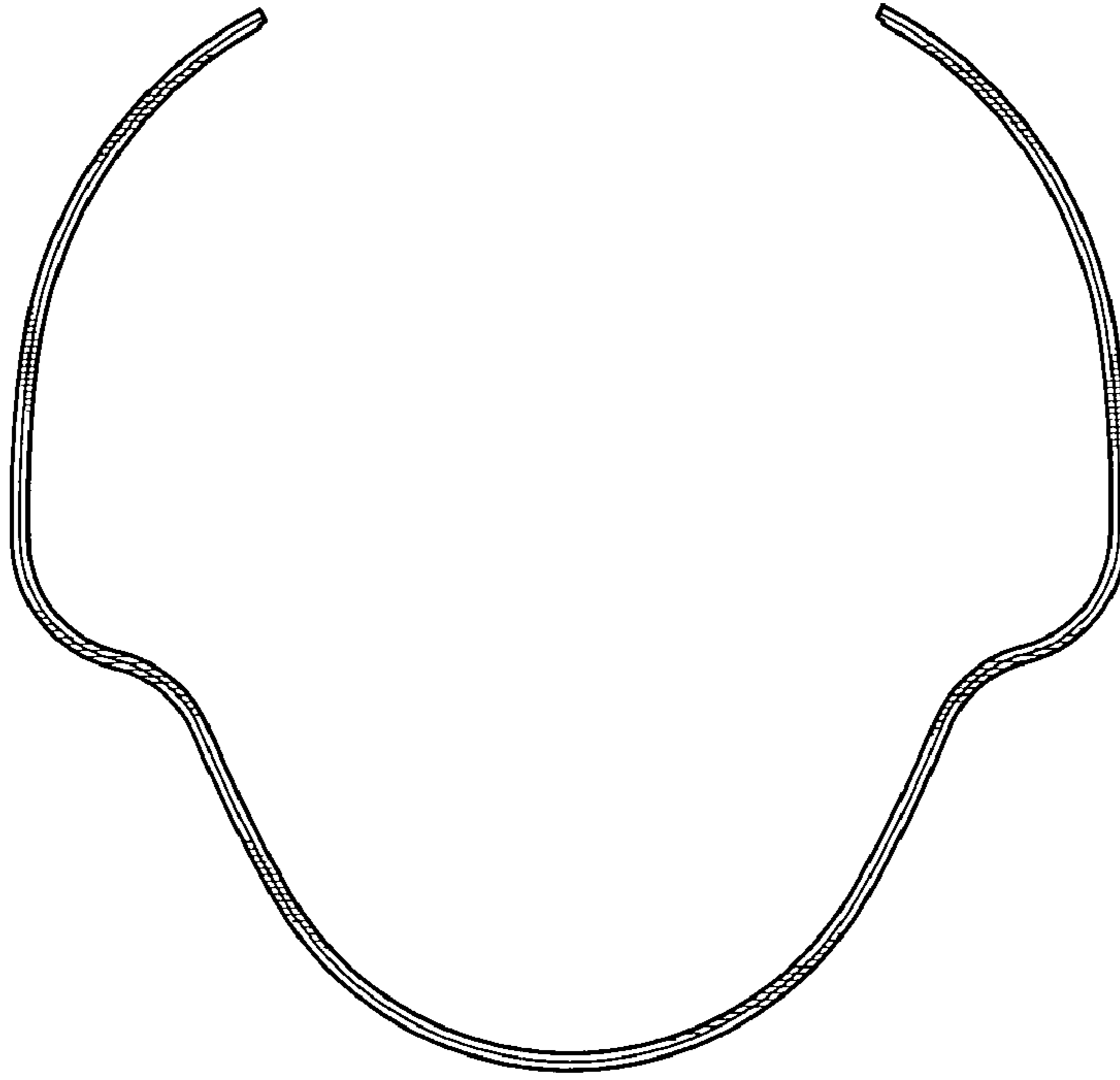


FIG. 3

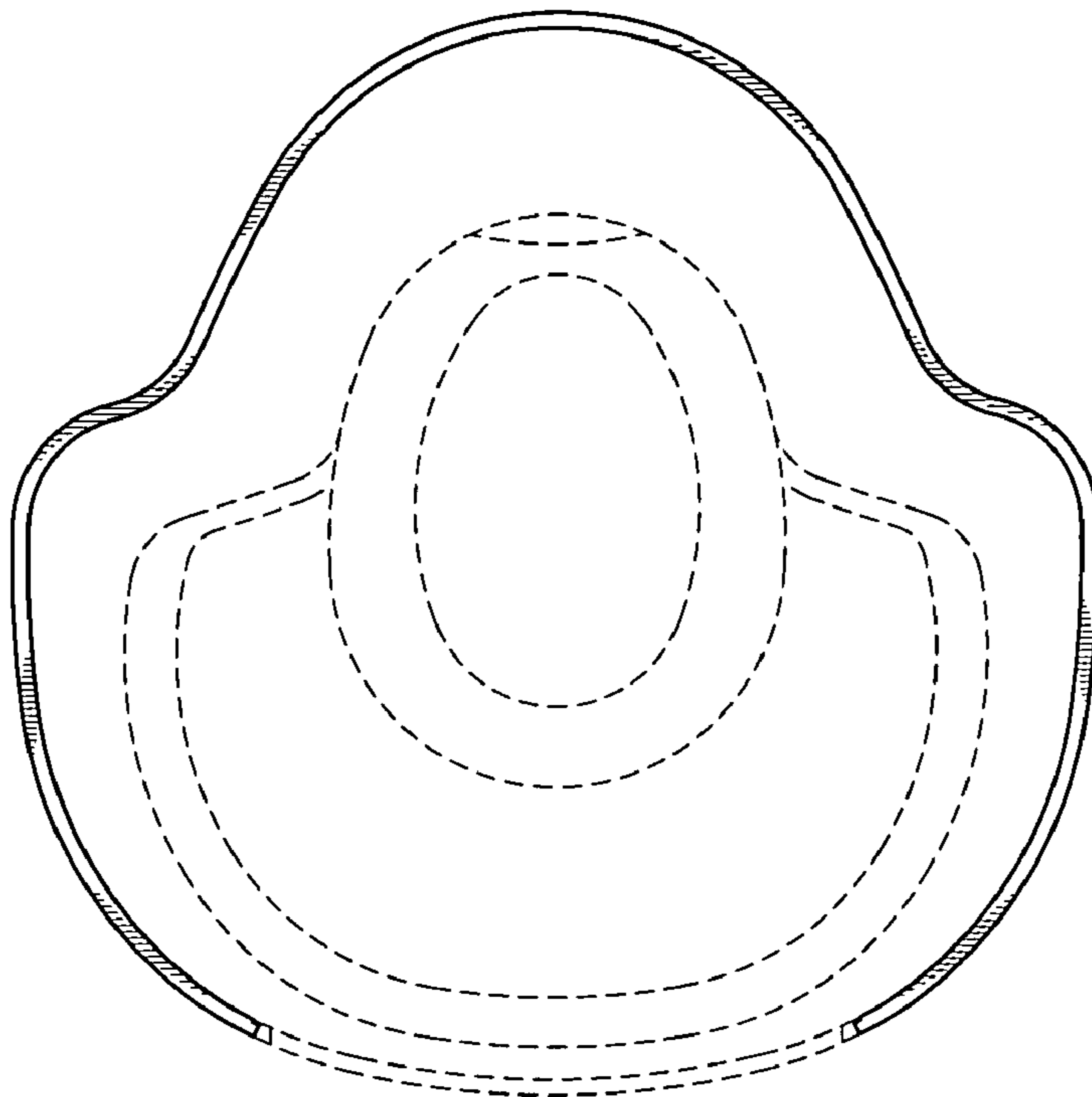


FIG. 4

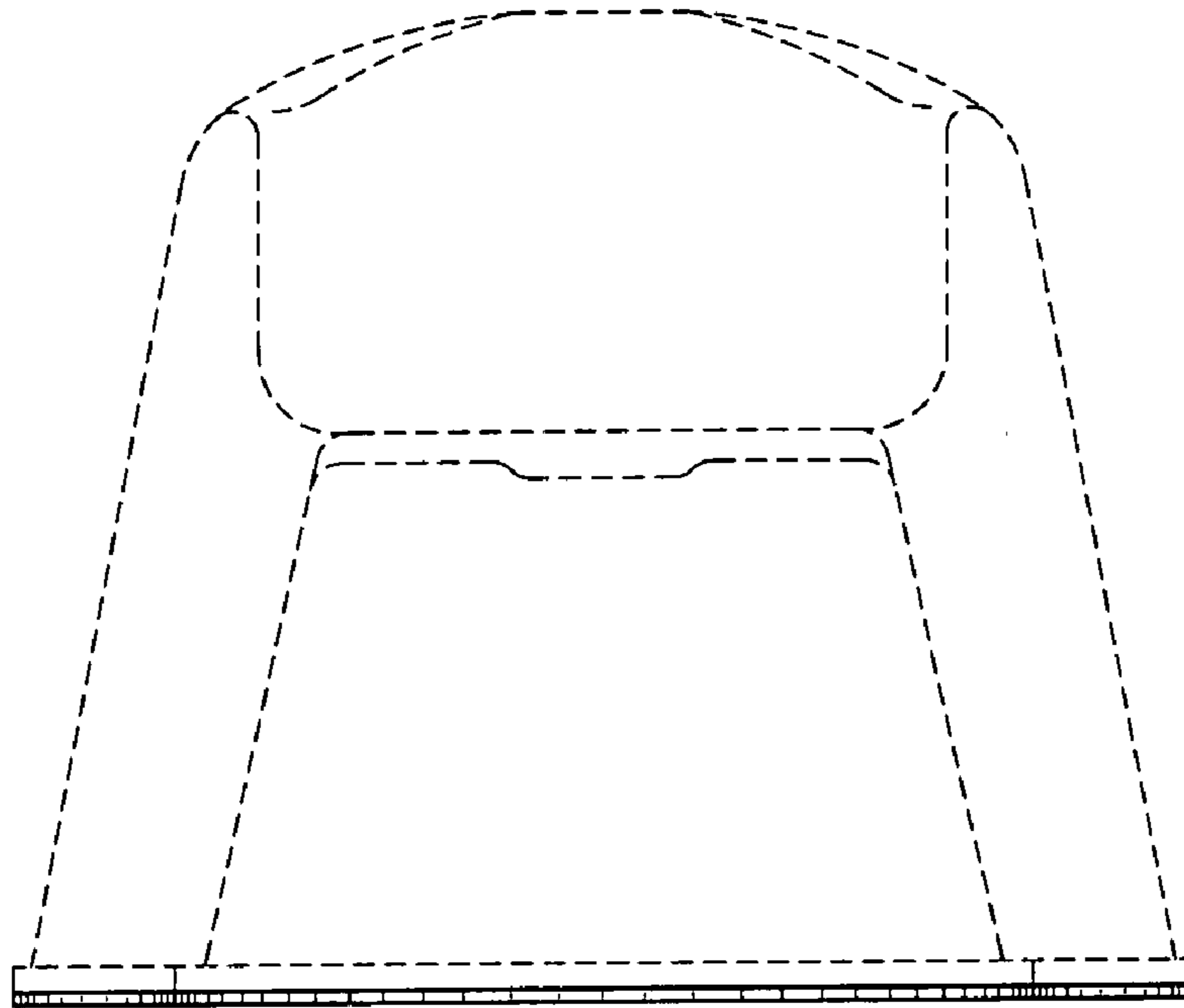


FIG. 5

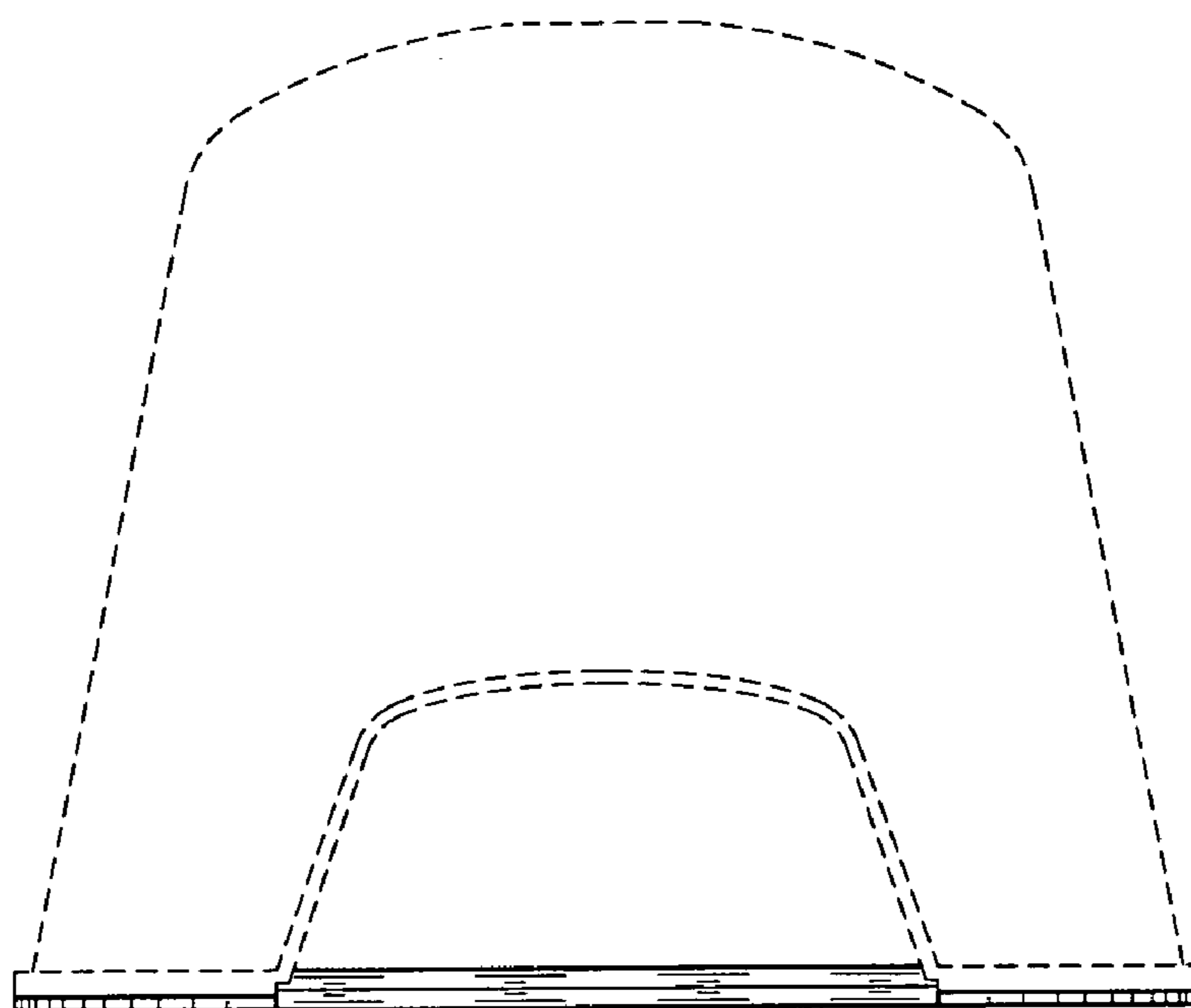


FIG. 6

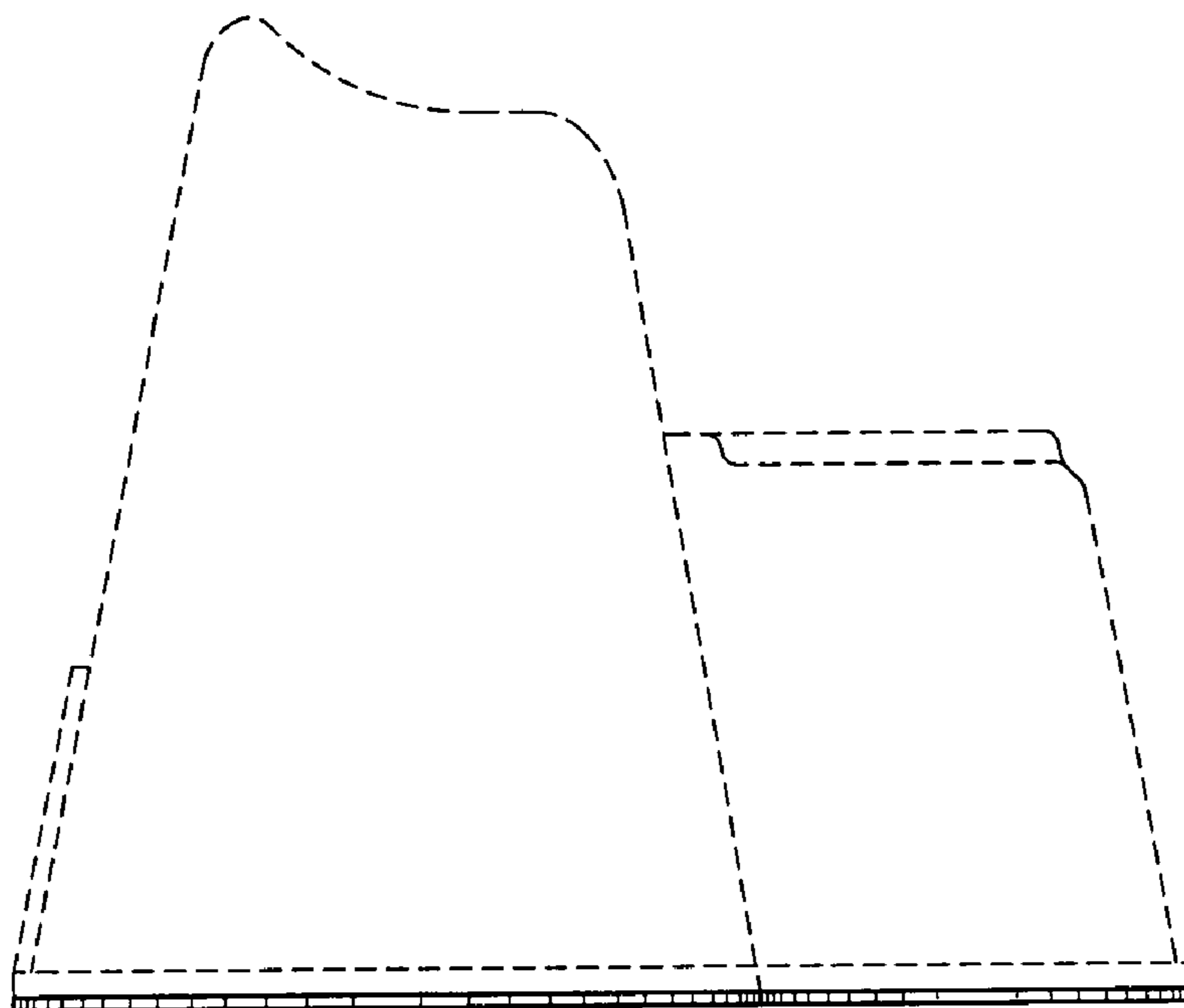


FIG. 7

