



US00D556871S

(12) **United States Design Patent**
Lin et al.

(10) **Patent No.:** **US D556,871 S**

(45) **Date of Patent:** **** Dec. 4, 2007**

(54) **BIDET**

D521,617 S * 5/2006 Hou D23/301

(75) Inventors: **Kevin Lin**, Weifang (CN); **Camel Hou**, Weifang (CN)

* cited by examiner

(73) Assignee: **Globe Union Industrial Corp.**, Taichung (TW)

Primary Examiner—Robert A. Delehanty
(74) *Attorney, Agent, or Firm*—Leong C. Lei

(**) Term: **14 Years**

(57) **CLAIM**

(21) Appl. No.: **29/248,639**

The ornamental design for a bidet, as shown and described.

(22) Filed: **Aug. 25, 2006**

DESCRIPTION

(51) **LOC (8) Cl.** **23-02**

(52) **U.S. Cl.** **D23/295**

(58) **Field of Classification Search** D23/273–274,
D23/295–301, 303, 309; 4/663–665, 300,
4/329, 420, 443, 661, 905, DIG. 11, DIG. 12
See application file for complete search history.

FIG. 1 is a perspective view of a bidet showing my new design;

FIG. 2 is a front elevational view thereof;

FIG. 3 is a rear elevational view thereof;

FIG. 4 is a left side elevation view thereof;

FIG. 5 is a right side elevational view thereof; and,

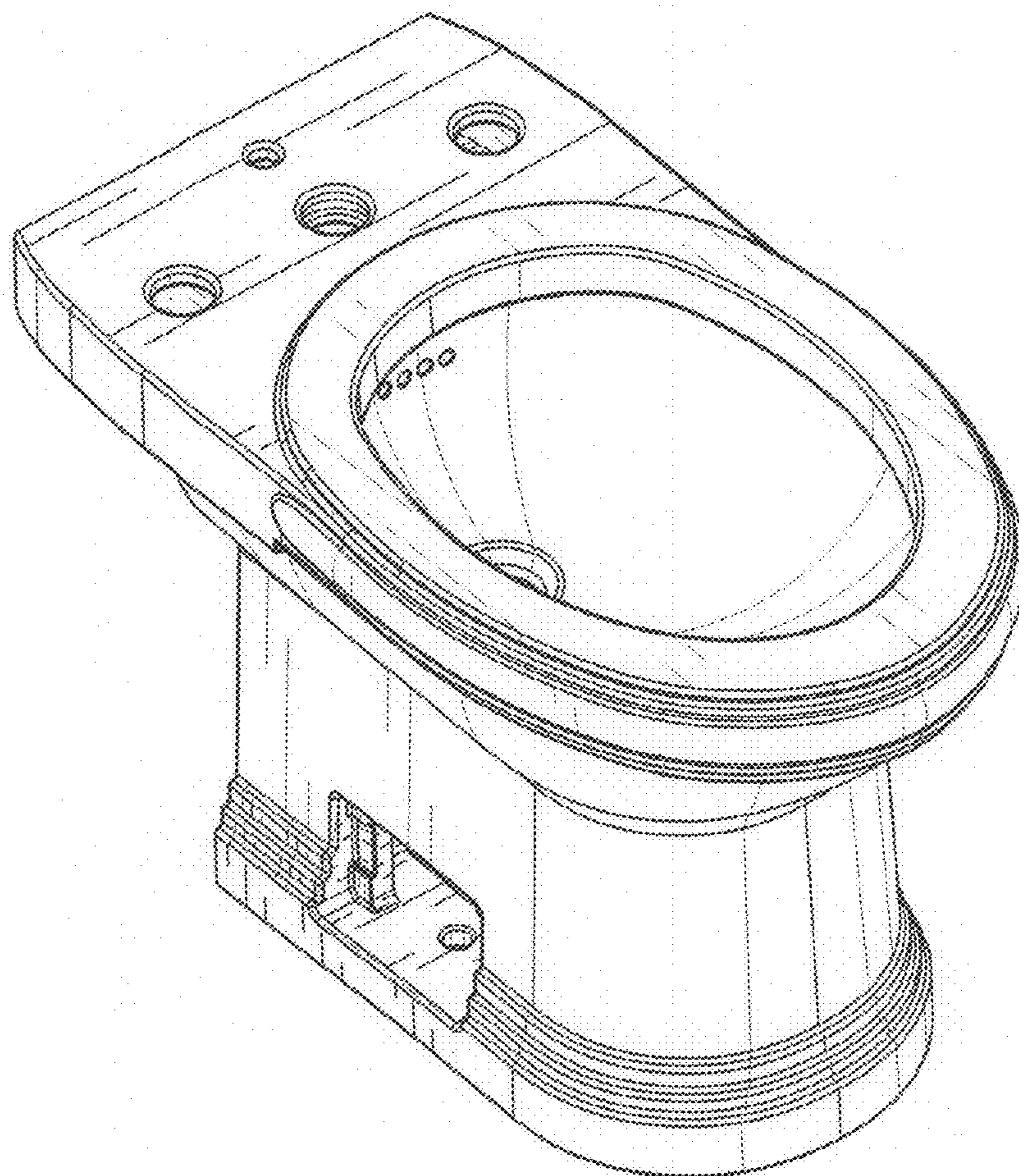
FIG. 6 is a top plan view thereof.

(56) **References Cited**

U.S. PATENT DOCUMENTS

D508,732 S * 8/2005 Rivas D23/301

1 Claim, 6 Drawing Sheets



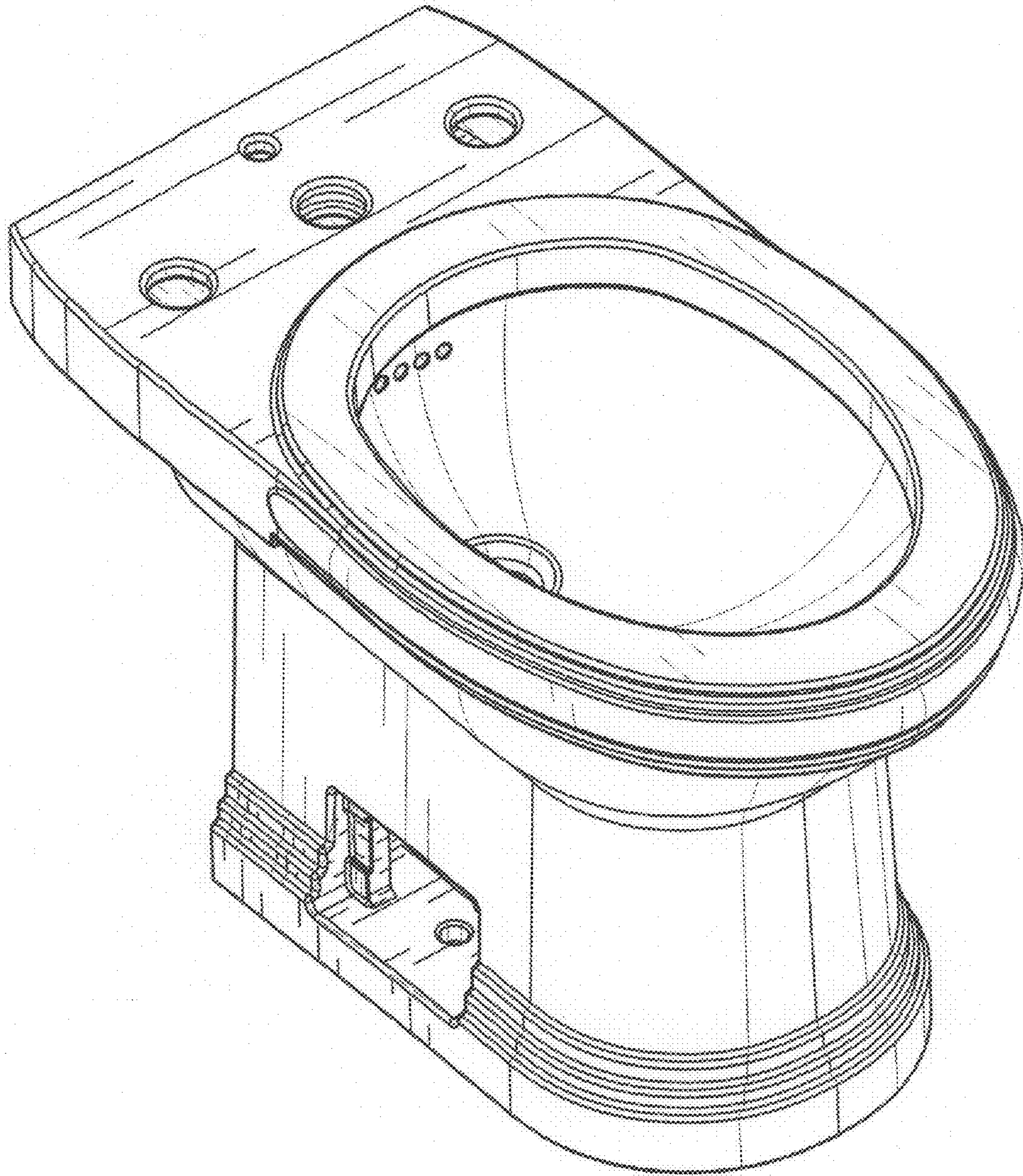


FIG. 1

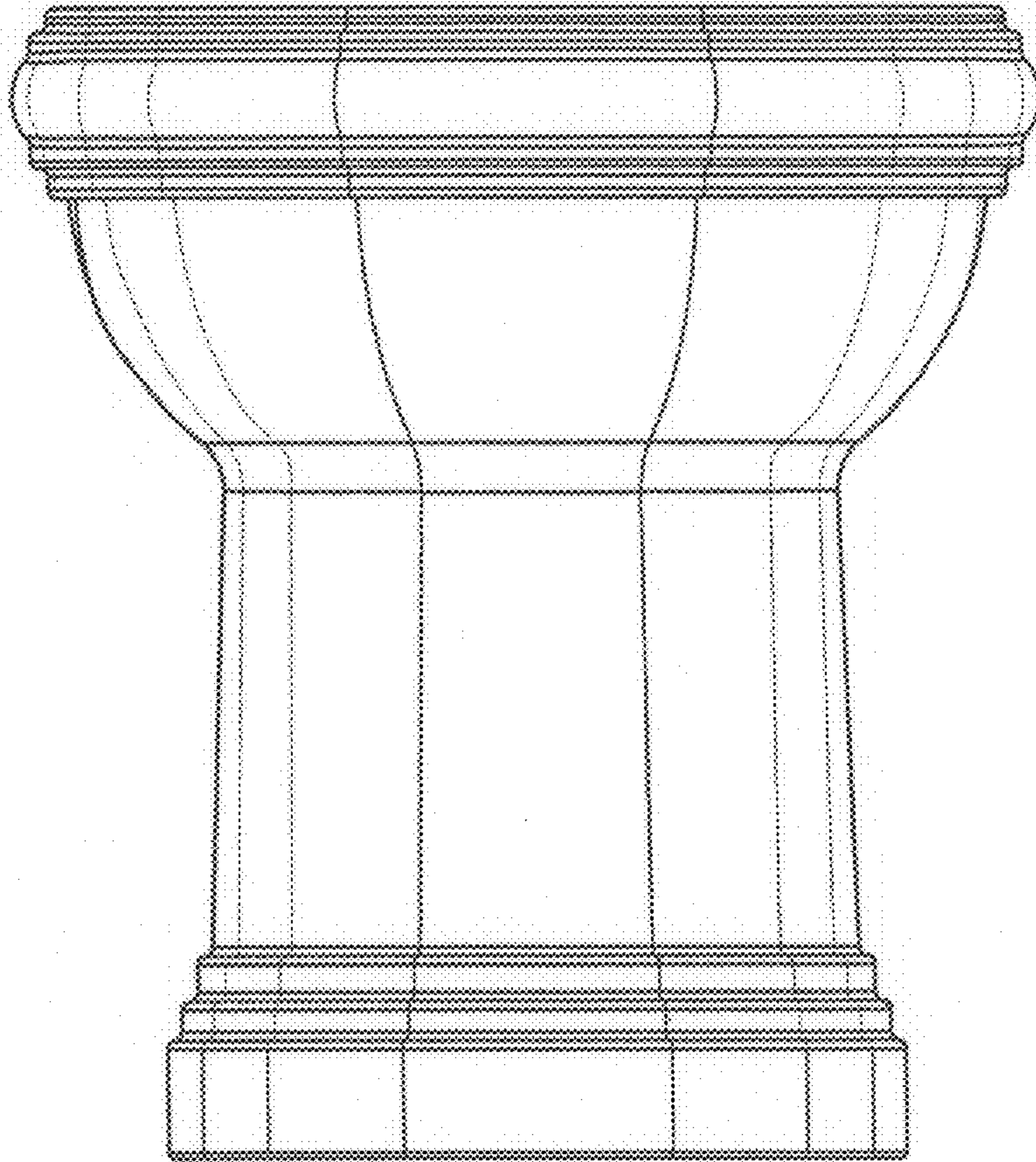


FIG. 2

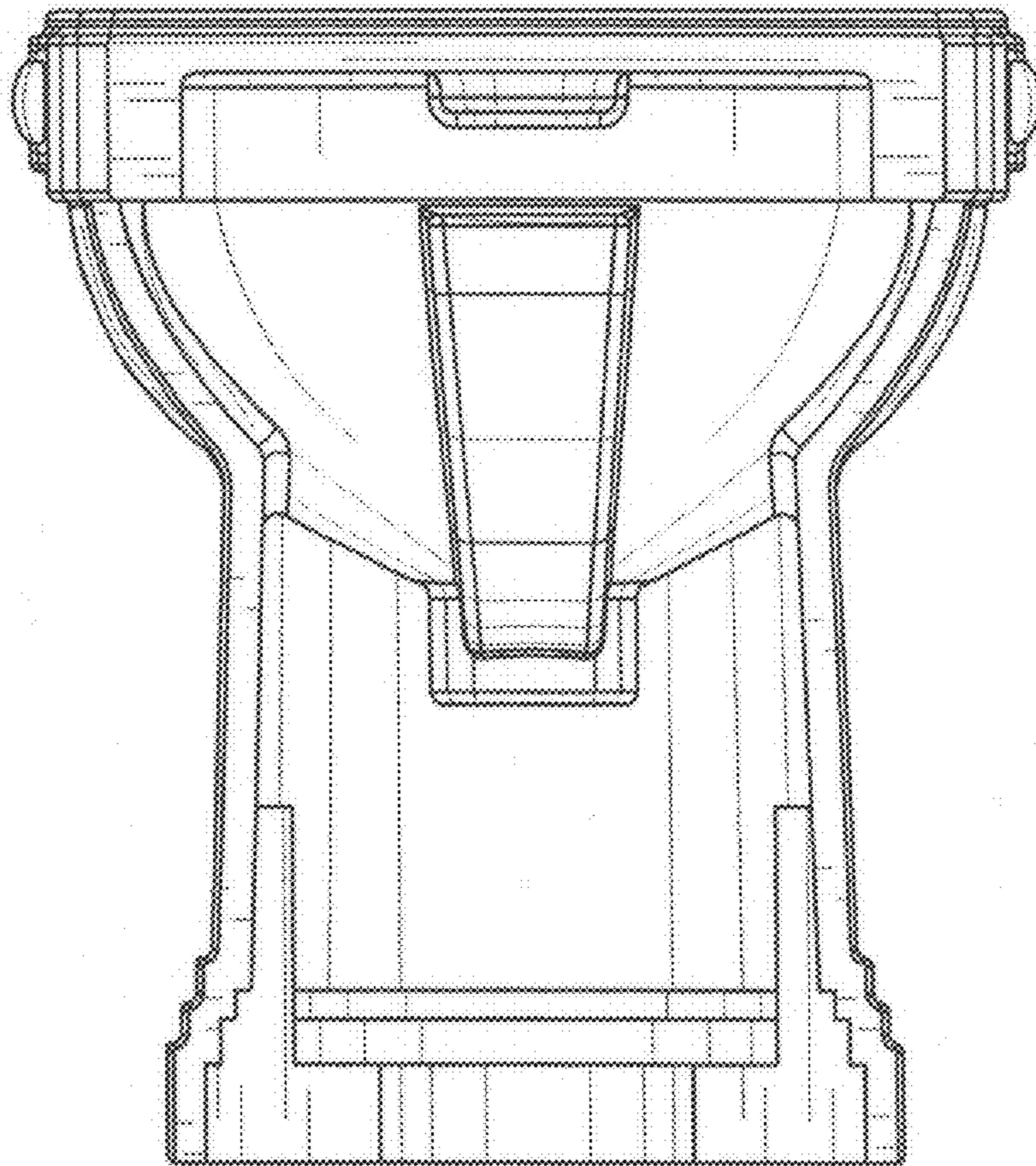


FIG. 3

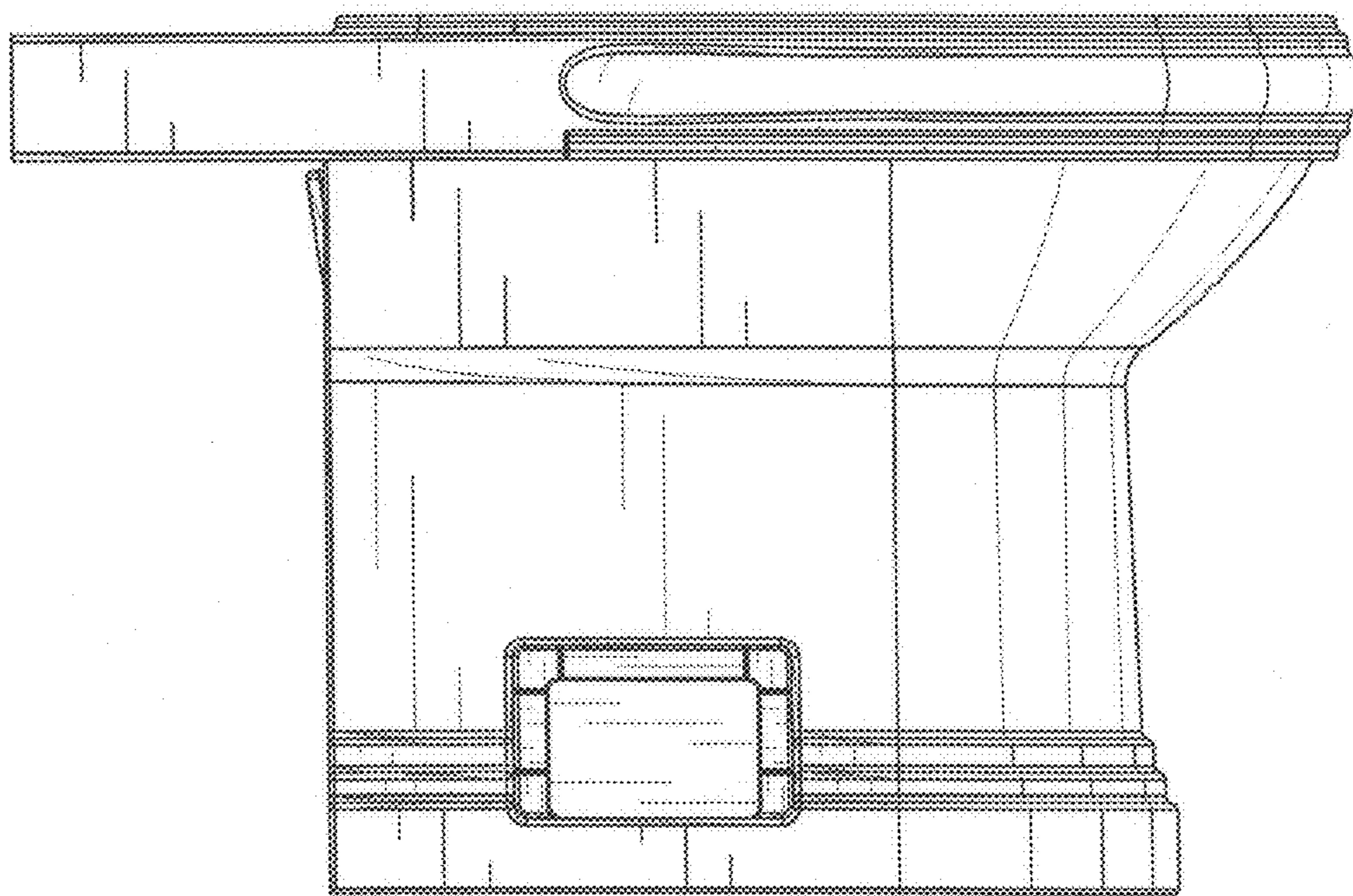


FIG. 4

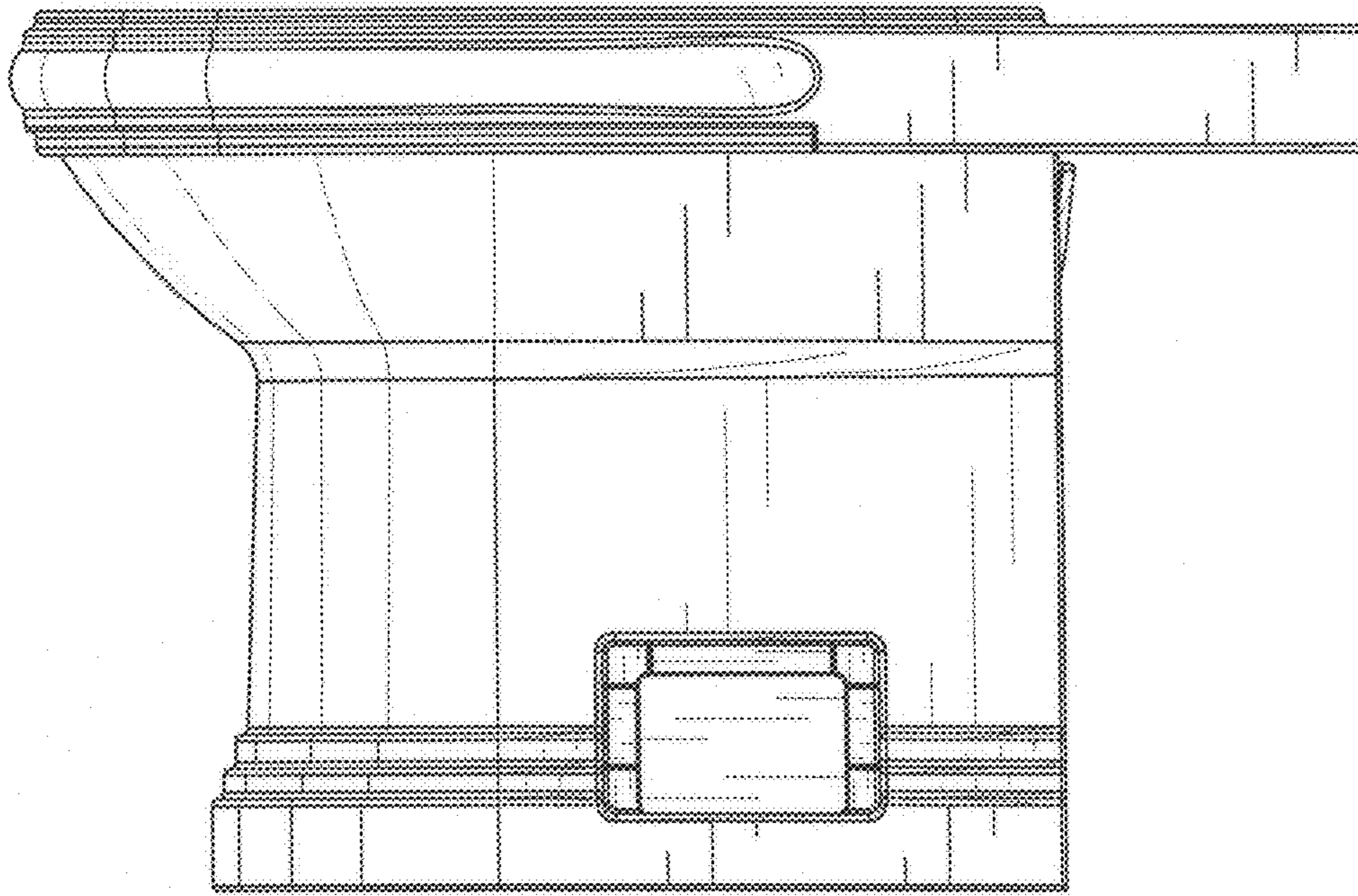


FIG. 5

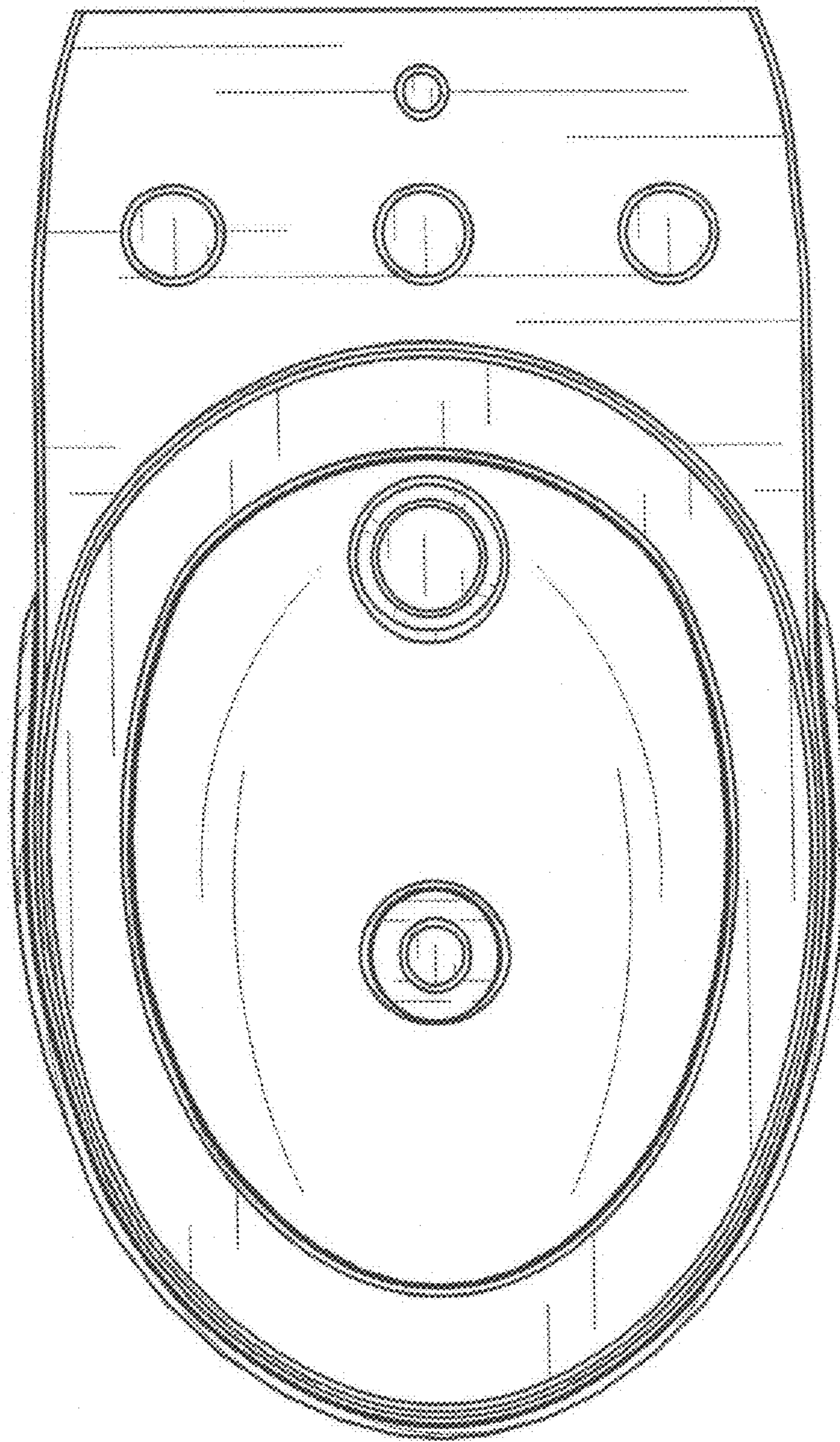


FIG. 6