



US00D556870S

(12) **United States Design Patent**  
**Lin et al.**

(10) **Patent No.:** **US D556,870 S**

(45) **Date of Patent:** **\*\* Dec. 4, 2007**

(54) **BIDET**

D428,122 S \* 7/2000 Garza ..... D23/295  
D520,614 S \* 5/2006 Tani ..... D23/301

(75) Inventors: **Kevin Lin**, Weifang (CN); **Lisa Zou**,  
Weifang (CN)

\* cited by examiner

(73) Assignee: **Globe Union Industrial Corp.**,  
Taichung (TW)

*Primary Examiner*—Robert A. Delehanty  
(74) *Attorney, Agent, or Firm*—Leong C. Lei

(\*\*) Term: **14 Years**

(57) **CLAIM**

(21) Appl. No.: **29/248,557**

The ornamental design for a bidet, as shown and described.

(22) Filed: **Aug. 22, 2006**

**DESCRIPTION**

(51) **LOC (8) Cl.** ..... **23-02**

FIG. 1 is a perspective view of a bidet showing my new design;

(52) **U.S. Cl.** ..... **D23/295**

FIG. 2 is a front elevational view thereof;

(58) **Field of Classification Search** ..... D23/273–274,  
D23/295–301, 303, 309; 4/663–665, 300,  
4/329, 420, 443, 661, 905, DIG. 11, DIG. 12  
See application file for complete search history.

FIG. 3 is a rear elevational view thereof;

FIG. 4 is a left side elevational view thereof;

FIG. 5 is a right side elevational view thereof; and,

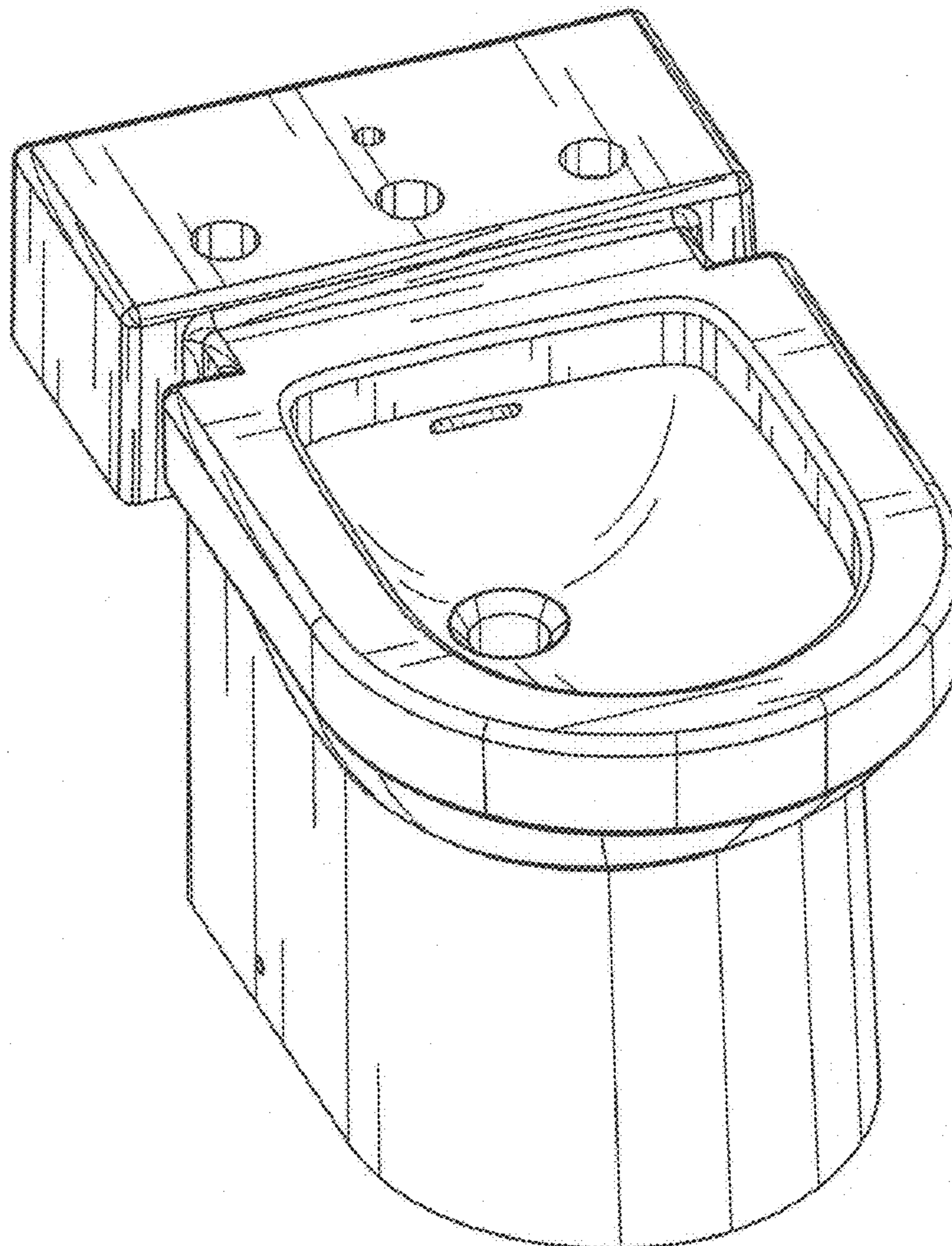
FIG. 6 is a top plan view thereof;

(56) **References Cited**

**U.S. PATENT DOCUMENTS**

4,692,951 A \* 9/1987 Taki et al. .... 4/664

**1 Claim, 6 Drawing Sheets**



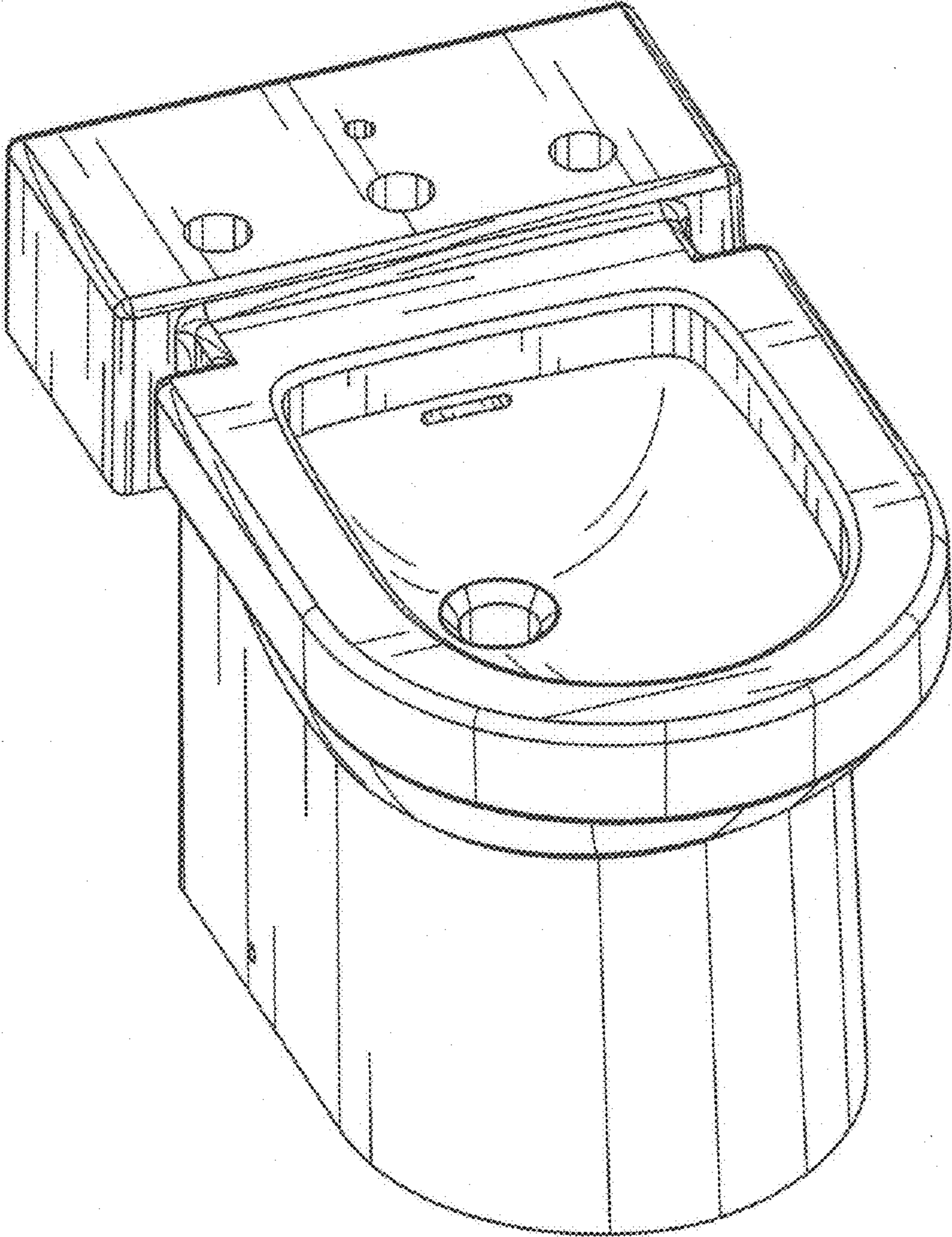


FIG. 1

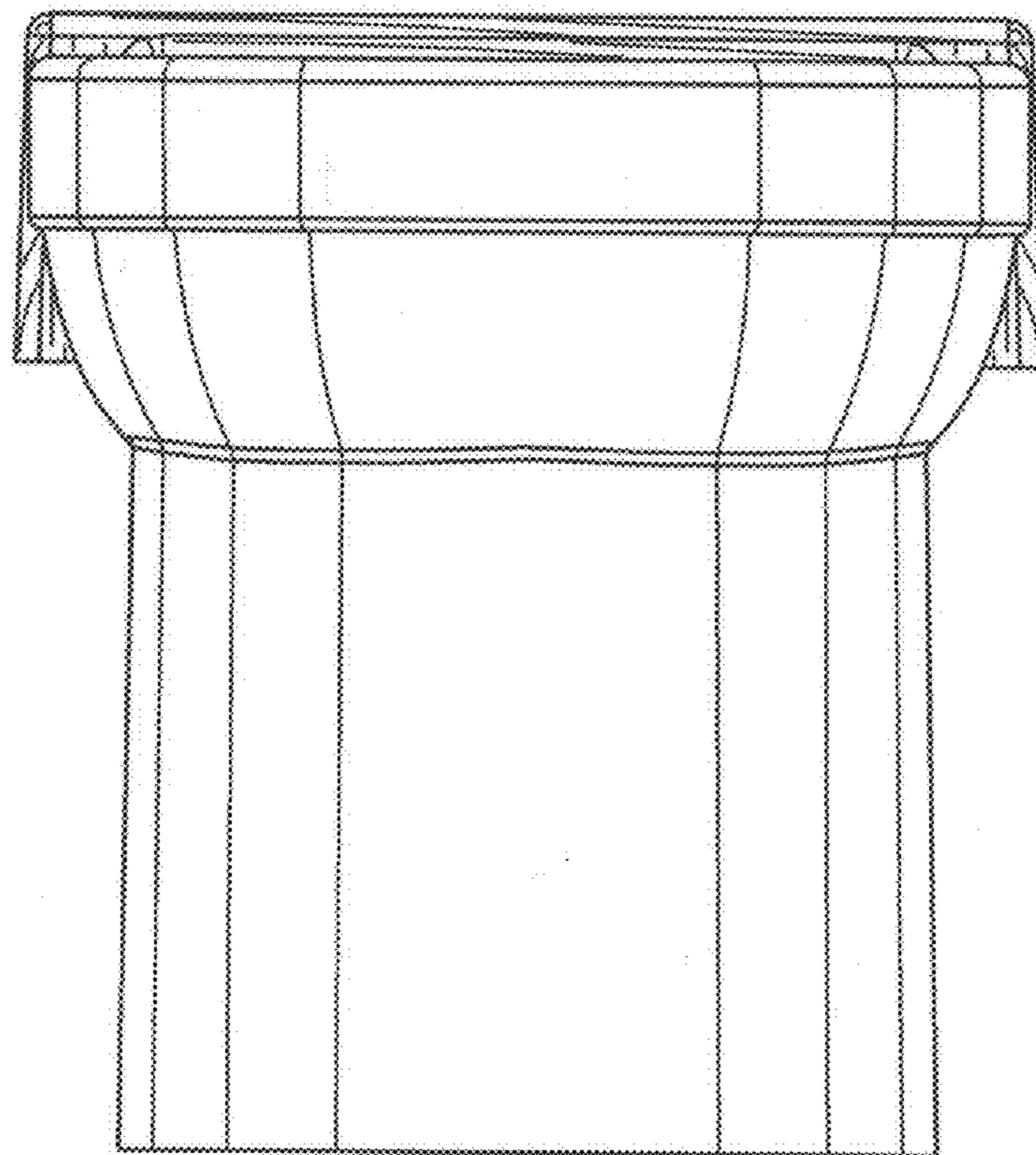


FIG. 2

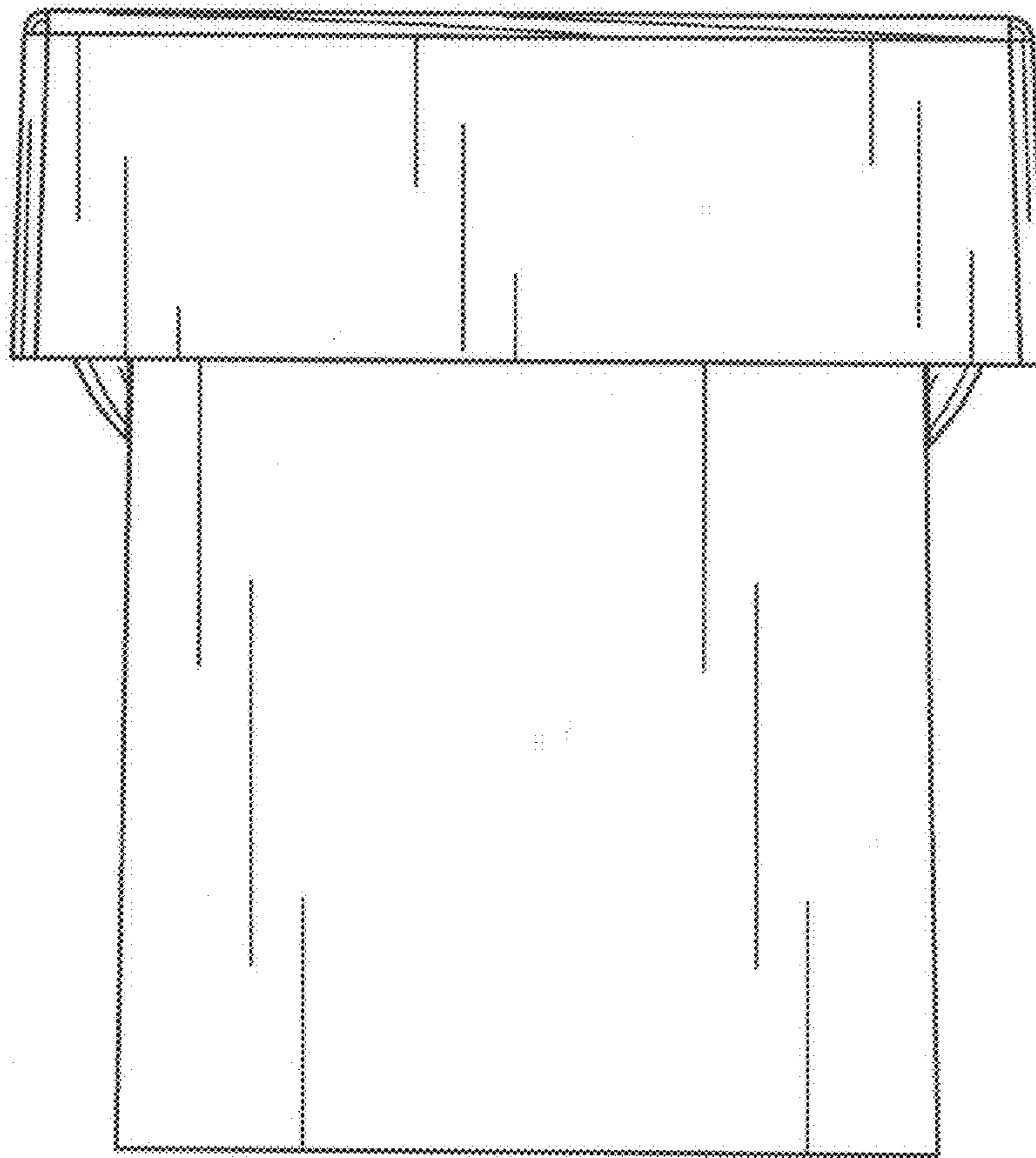


FIG. 3

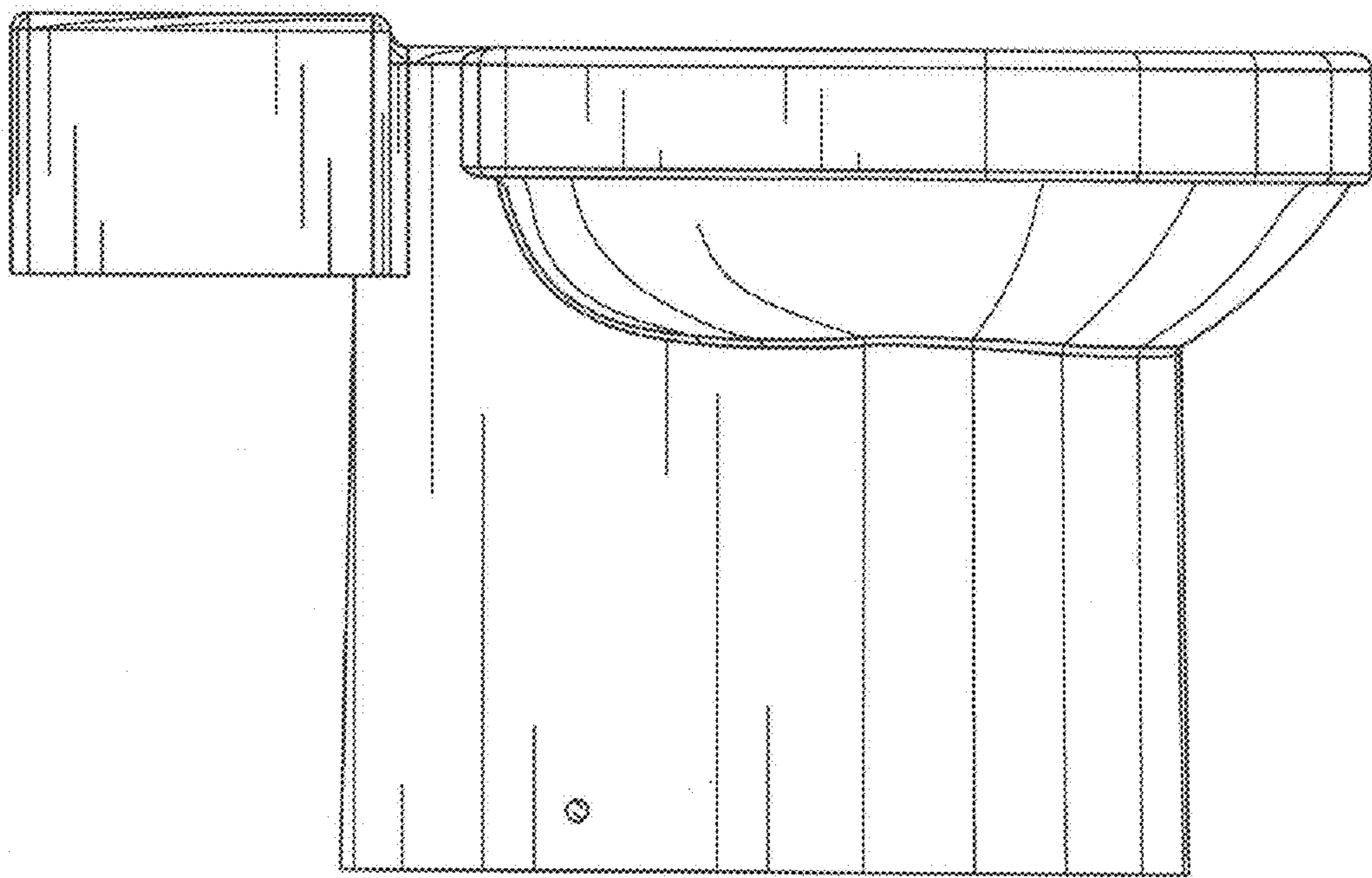


FIG. 4

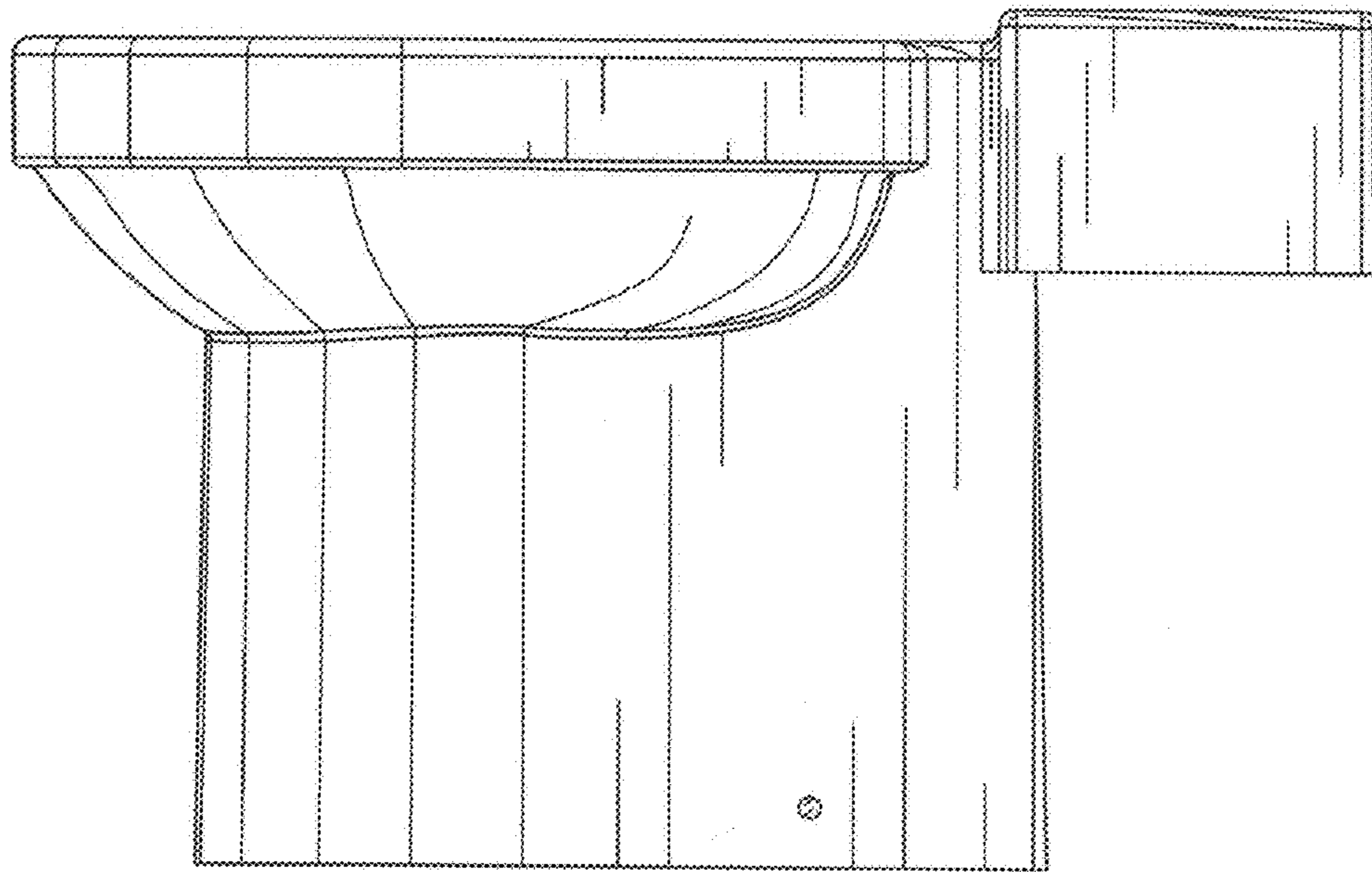


FIG. 5

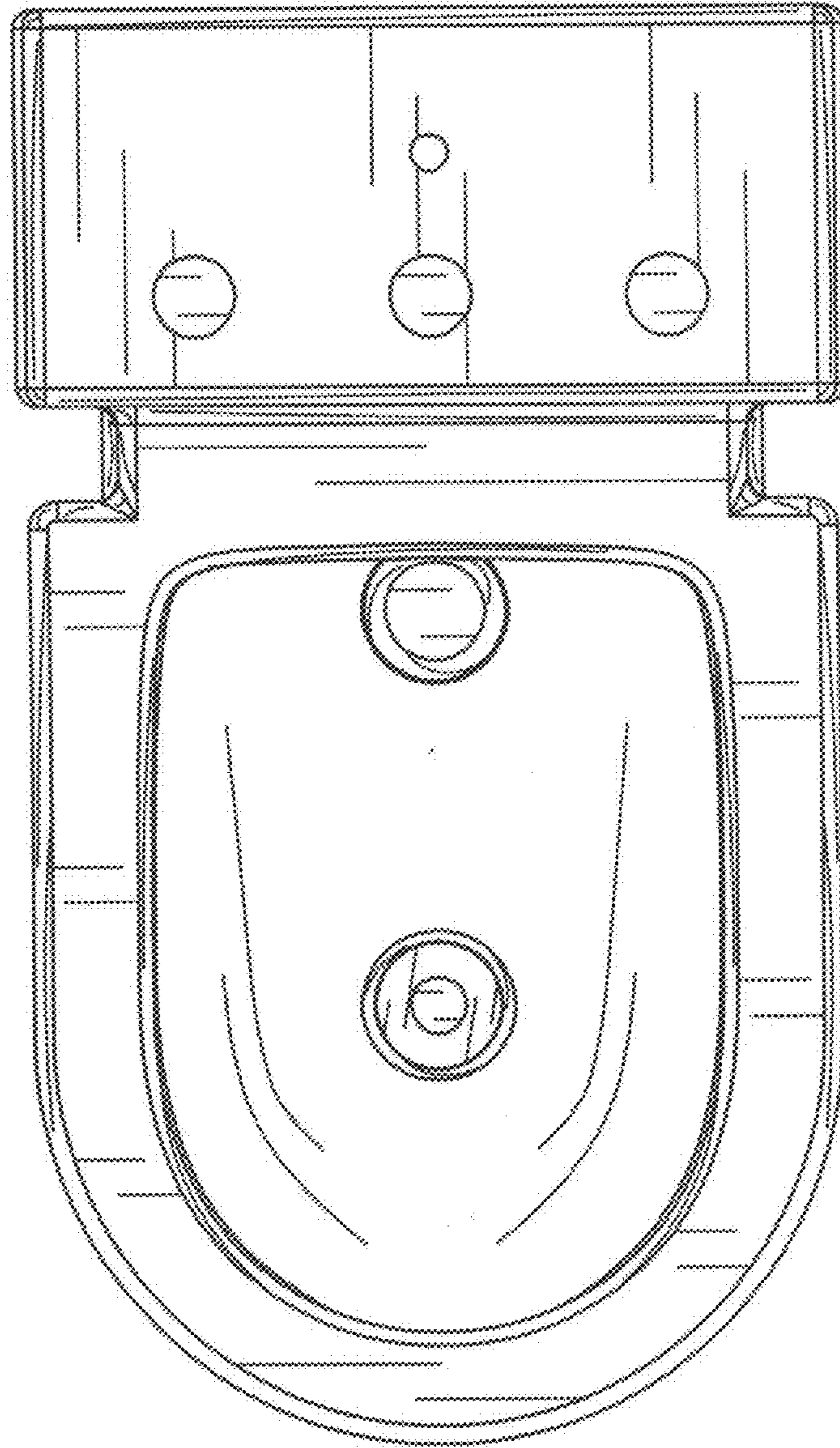


FIG. 6