



US00D556869S

(12) **United States Design Patent**  
**Lin et al.**

(10) **Patent No.:** **US D556,869 S**

(45) **Date of Patent:** **\*\* Dec. 4, 2007**

(54) **BIDET**

(75) Inventors: **Kevin Lin**, Weifang (CN); **Camel Hou**, Weifang (CN)

(73) Assignee: **Globe Union Industrial Corp.**, Taichung (TW)

(\*\*) Term: **14 Years**

(21) Appl. No.: **29/248,493**

(22) Filed: **Aug. 18, 2006**

(51) **LOC (8) Cl.** ..... **23-02**

(52) **U.S. Cl.** ..... **D23/295**

(58) **Field of Classification Search** ..... D23/273-274,  
D23/295-301, 303, 309; 4/663-665, 300,  
4/329, 420, 443, 661, 905, DIG. 11, DIG. 12

See application file for complete search history.

(56) **References Cited**

U.S. PATENT DOCUMENTS

D485,892 S \* 1/2004 Smith ..... D23/309

\* cited by examiner

*Primary Examiner*—Robert A. Delehanty

(74) *Attorney, Agent, or Firm*—Leong C. Lei

(57) **CLAIM**

The ornamental design for a bidet, as shown and described.

**DESCRIPTION**

FIG. 1 is a perspective view of a bidet showing my new design;

FIG. 2 is a front elevational view thereof;

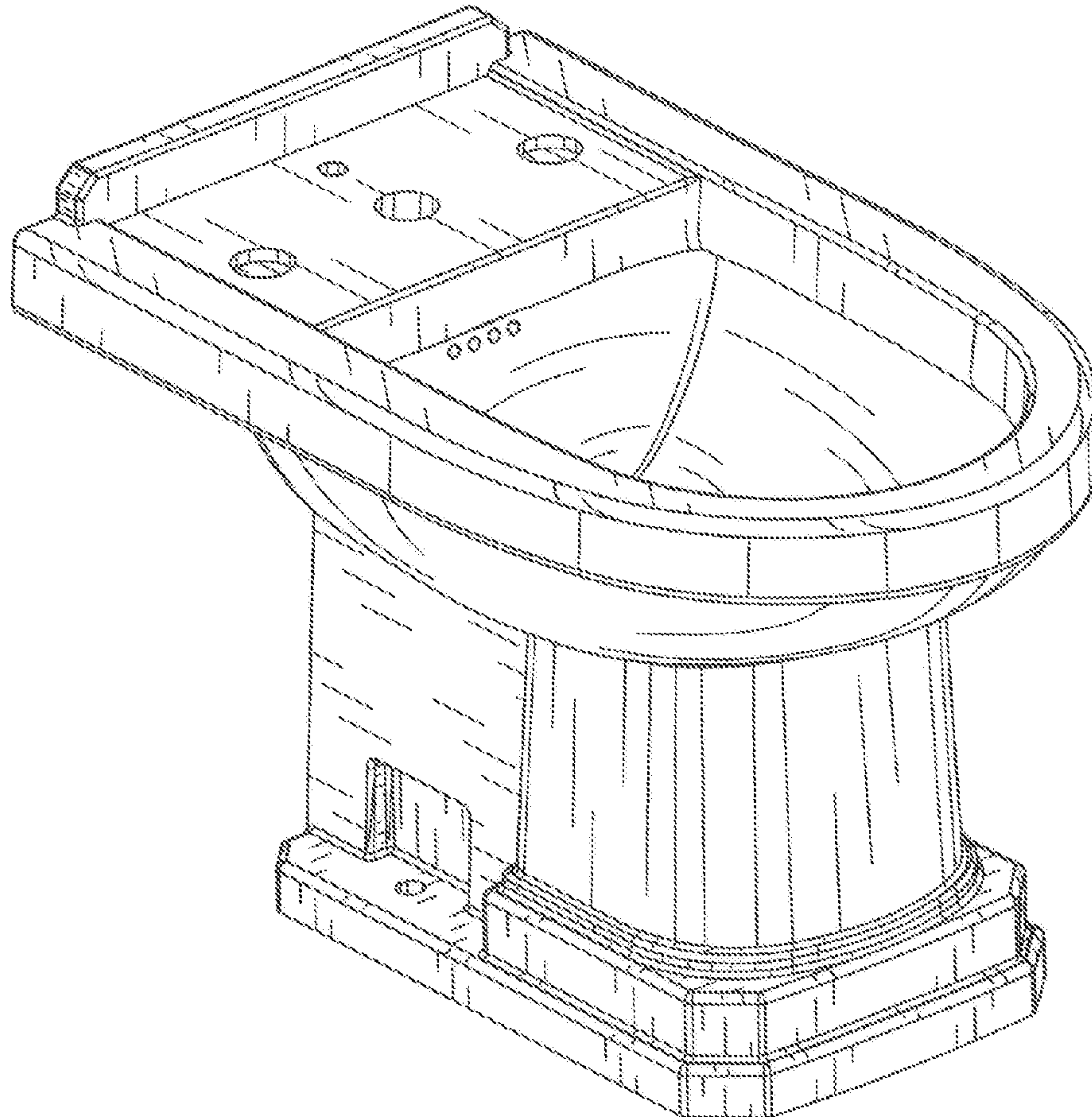
FIG. 3 is a rear elevational view thereof;

FIG. 4 is a left side elevational view thereof;

FIG. 5 is a right side elevational view thereof; and,

FIG. 6 is a top plan view thereof.

**1 Claim, 6 Drawing Sheets**



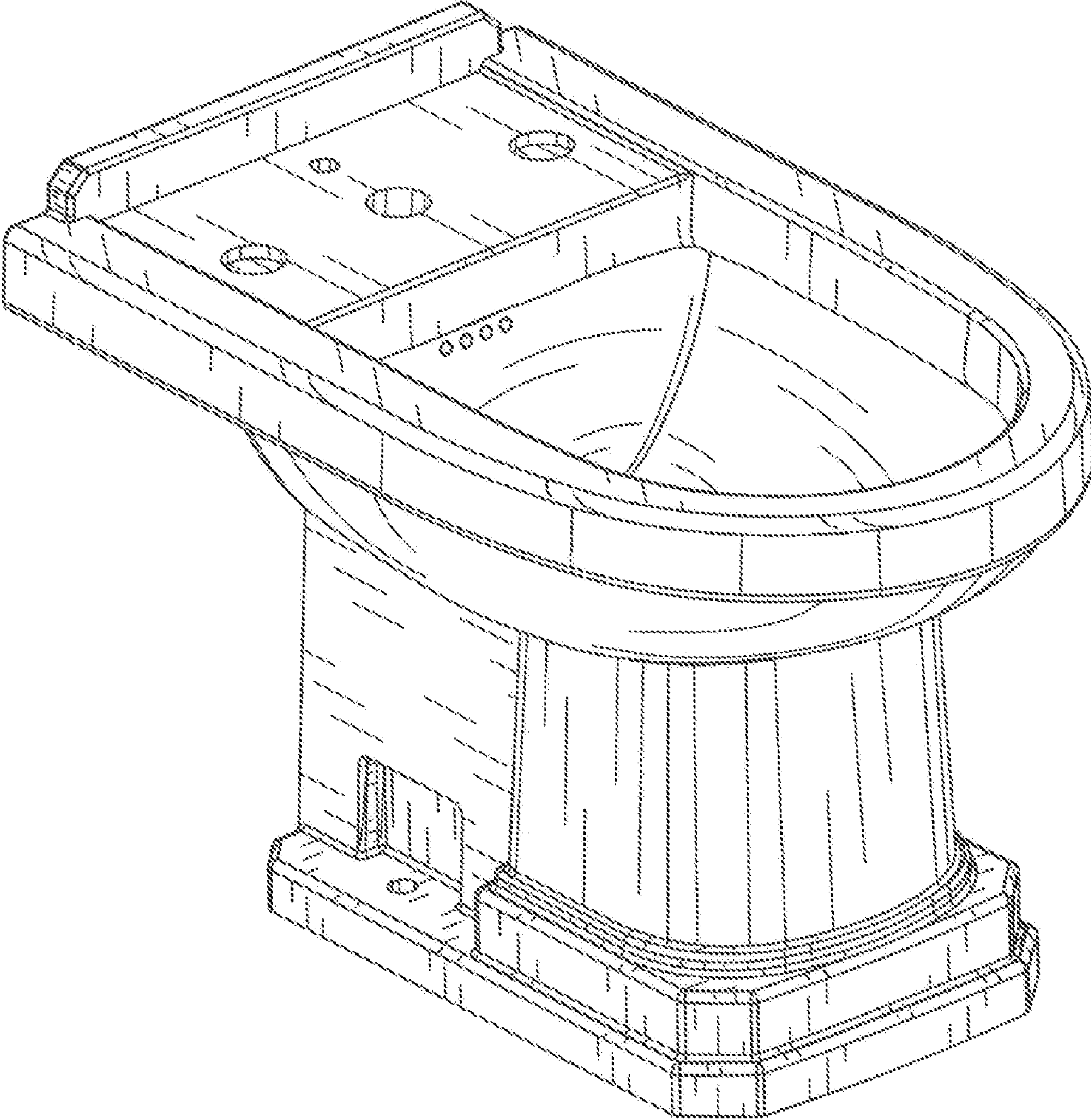


FIG. 1

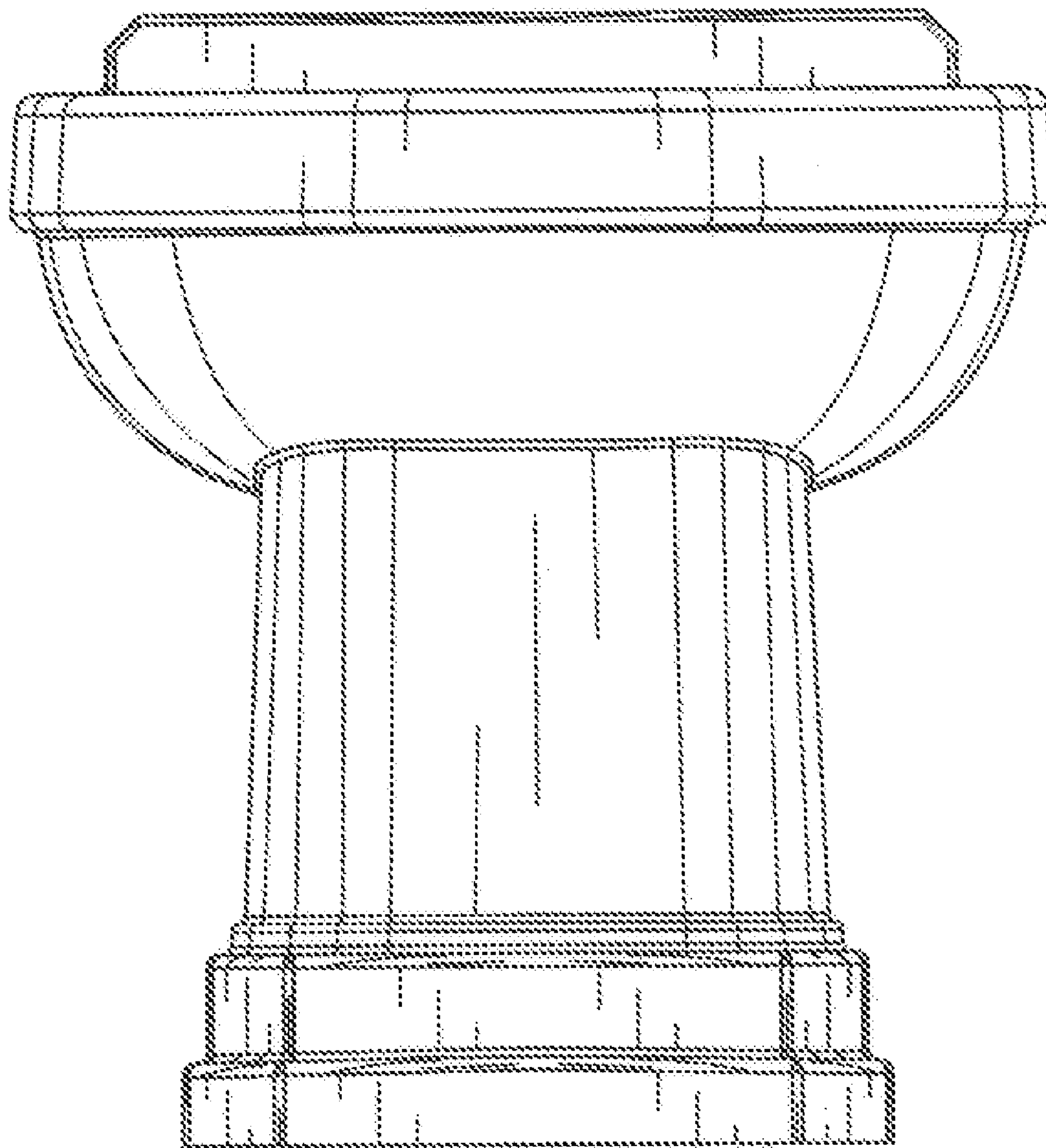


FIG. 2



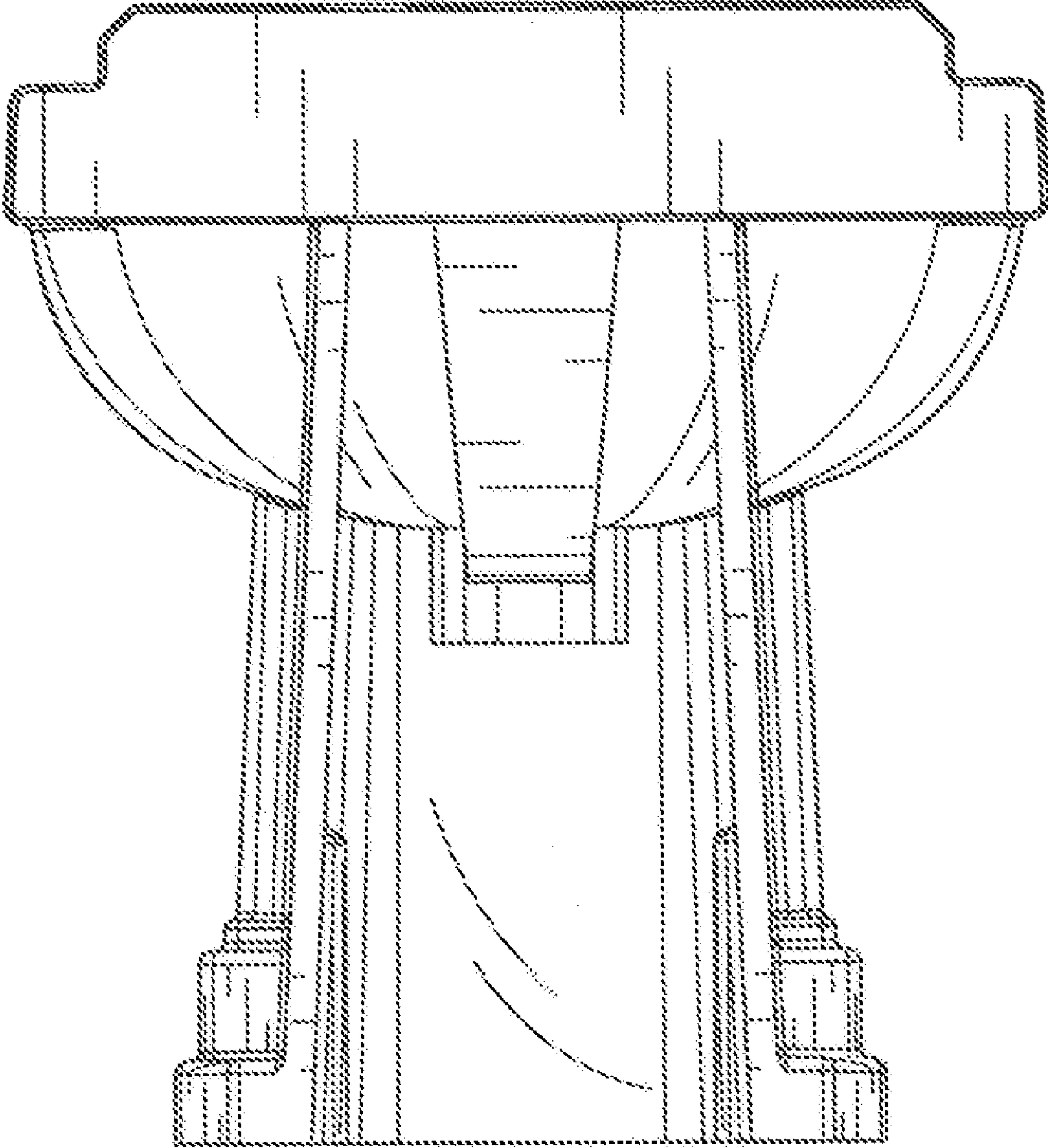


FIG. 3

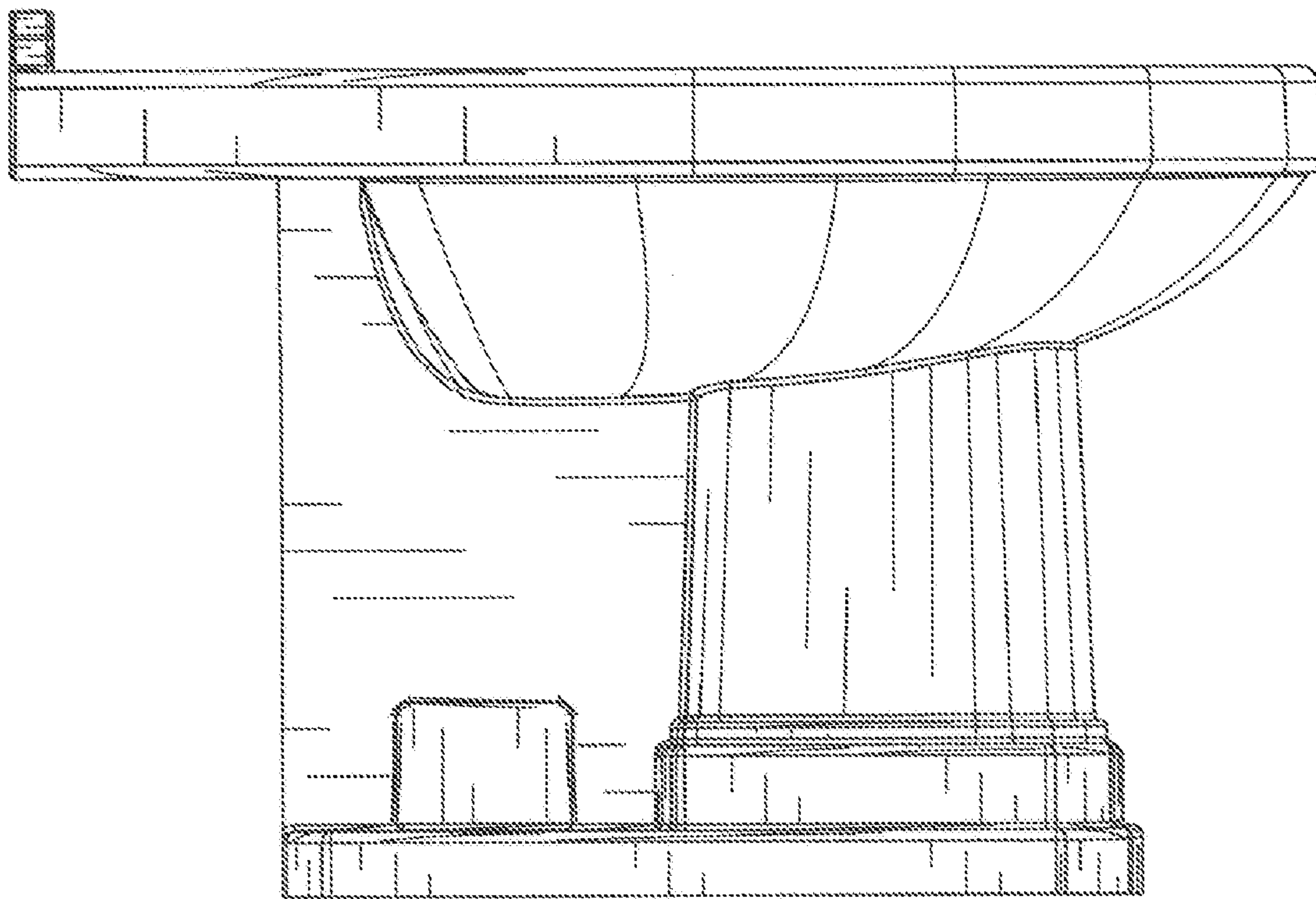


FIG. 4

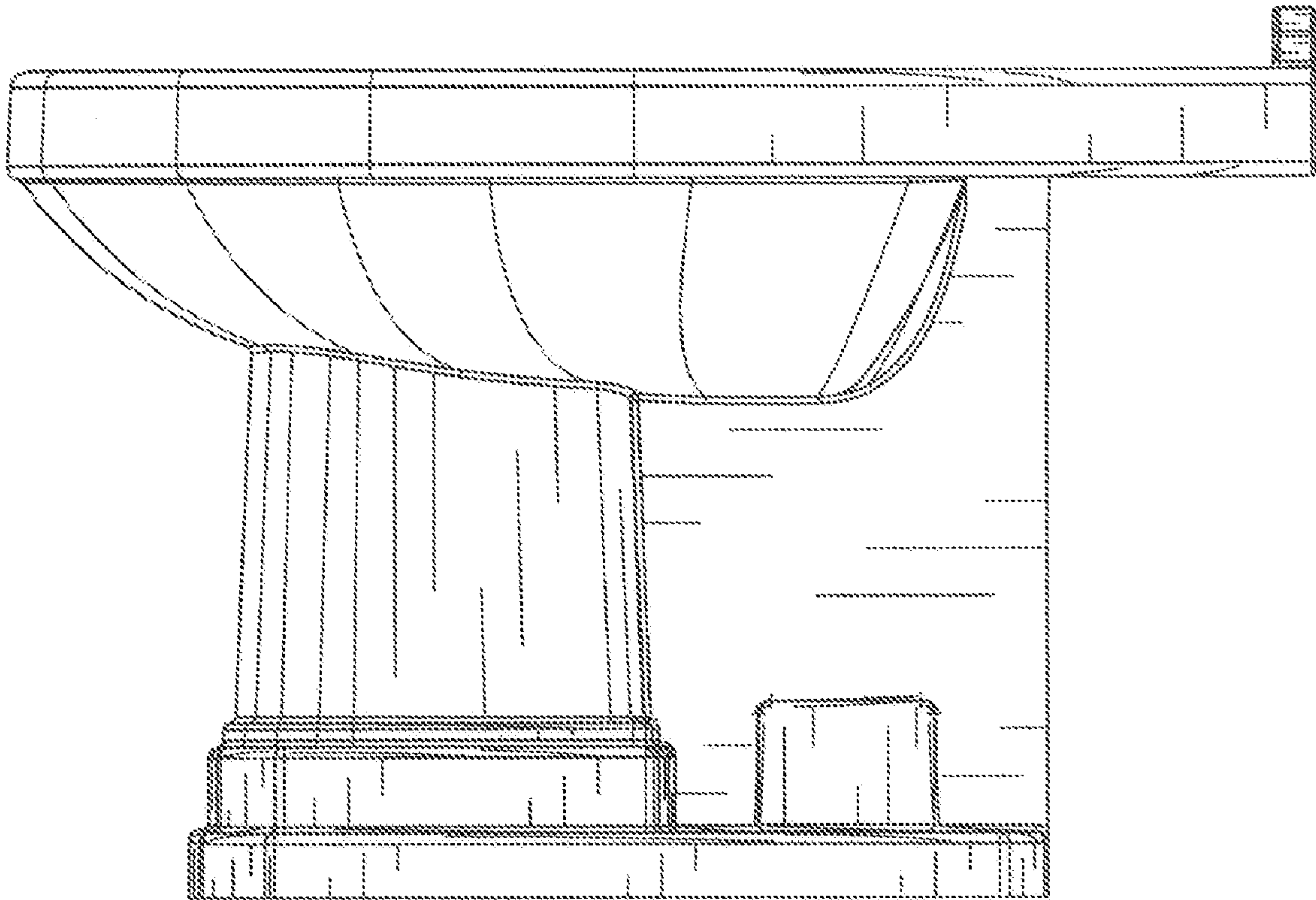


FIG. 5

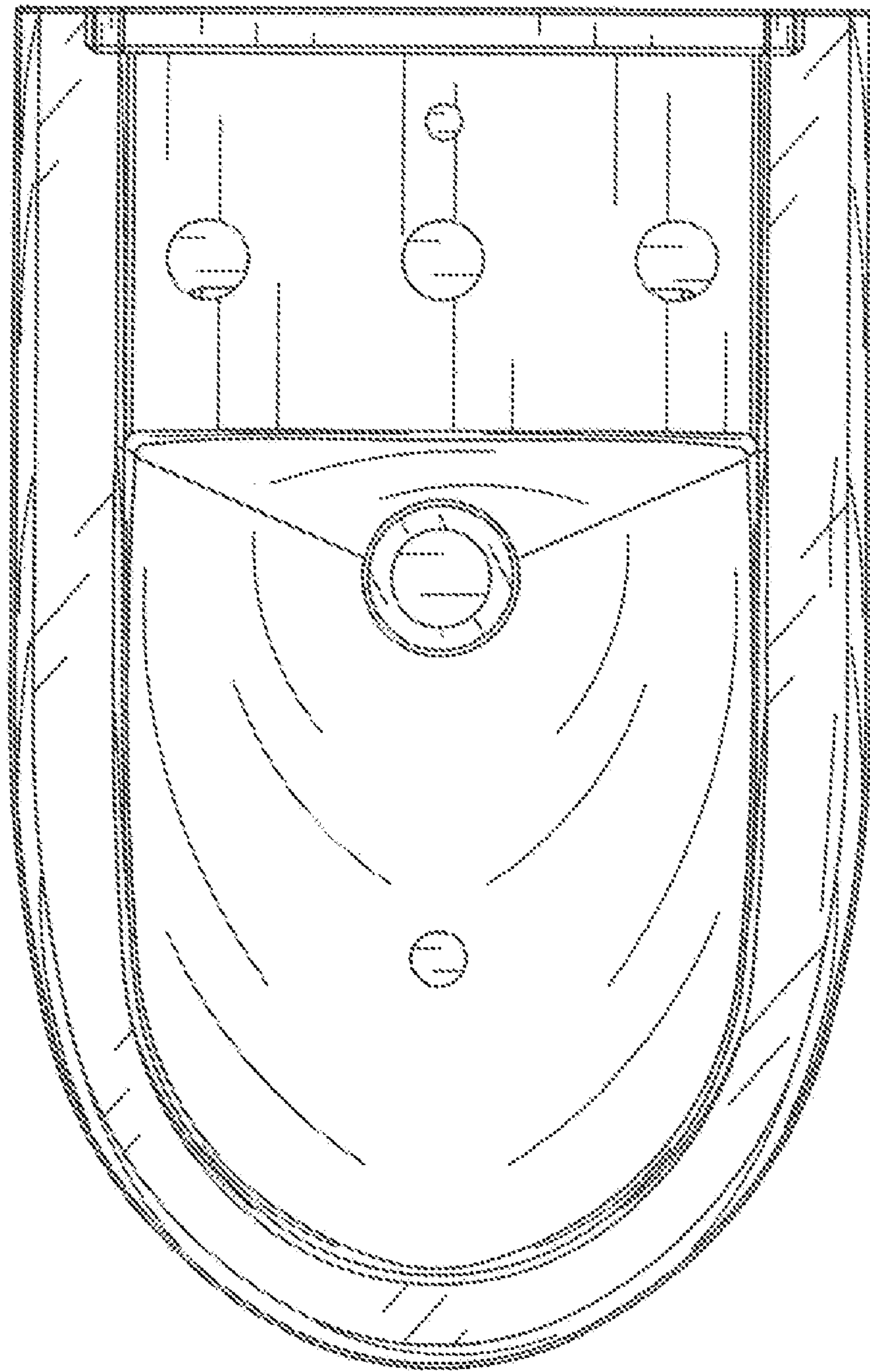


FIG. 6