



US00D556868S

(12) **United States Design Patent**  
**Tortorello**

(10) **Patent No.:** **US D556,868 S**  
(45) **Date of Patent:** **\*\* Dec. 4, 2007**

(54) **SINK** JP 2002330880 A 11/2002

(75) Inventor: **Michael Tortorello**, Oak Lawn, IL (US)

(73) Assignee: **Elkay Manufacturing Company**, Oak Brook, IL (US)

(\*\*) Term: **14 Years**

(21) Appl. No.: **29/258,247**

(22) Filed: **Apr. 19, 2006**

(51) **LOC (8) Cl.** ..... **23-02**

(52) **U.S. Cl.** ..... **D23/284**

(58) **Field of Classification Search** ..... D23/270-273,  
D23/284-287, 289, 291-293.1, 303, 308;  
4/619, 630-631, 637, 661; D21/524

See application file for complete search history.

(56) **References Cited**

**U.S. PATENT DOCUMENTS**

646,128 A	3/1900	Price
724,252 A	3/1903	Blackwood
924,384 A	6/1909	Schlueter
D40,401 S	12/1909	Crane
1,172,352 A	2/1916	Georgie
D133,311 S	8/1942	Tinney
D157,571 S	3/1950	Dennis
D178,183 S	7/1956	Glezen
2,968,418 A	1/1961	Stoddard
D193,215 S	7/1962	Fredrick
D214,524 S	6/1969	Taylor
D231,675 S	5/1974	Fee
D270,963 S	10/1983	Hawes et al.
4,462,126 A	7/1984	Cleveland
D296,600 S	7/1988	Singerman et al.
D296,601 S	7/1988	Chap

(Continued)

**FOREIGN PATENT DOCUMENTS**

JP 11152134 A 6/1999

**OTHER PUBLICATIONS**

U.S. Appl. No. 29/229,270, filed May 5, 2005, Plikuhn.  
U.S. Appl. No. 29/229,271, filed May 5, 2005, Plikuhn.  
Elkay Manufacturing Co., "Elkay Specifications: Bottom Grids, LKBG, LKRBG and LKOBG Series," Form 15-16A (revised Apr. 2003).  
Elkay Manufacturing Co., "Elkay Specifications: Bottom Grids, LKBG, LKRBG and LKOBG Series," Form 15-16B (revised Jul. 2004).

(Continued)

*Primary Examiner*—Robert A. Delehanty

(74) *Attorney, Agent, or Firm*—Leydig, Voit & Mayer, Ltd.

(57) **CLAIM**

The ornamental design for a sink, as shown and described.

**DESCRIPTION**

FIG. 1 is a perspective view taken from the top, front, and right side of a sink showing my new design;

FIG. 2 is a perspective view taken from the bottom, front, and left side of the sink shown in FIG. 1;

FIG. 3 is a top view of the sink shown in FIG. 1;

FIG. 4 is a bottom elevational view of the sink shown in FIG. 1;

FIG. 5 is a front elevational view of the sink shown in FIG. 1;

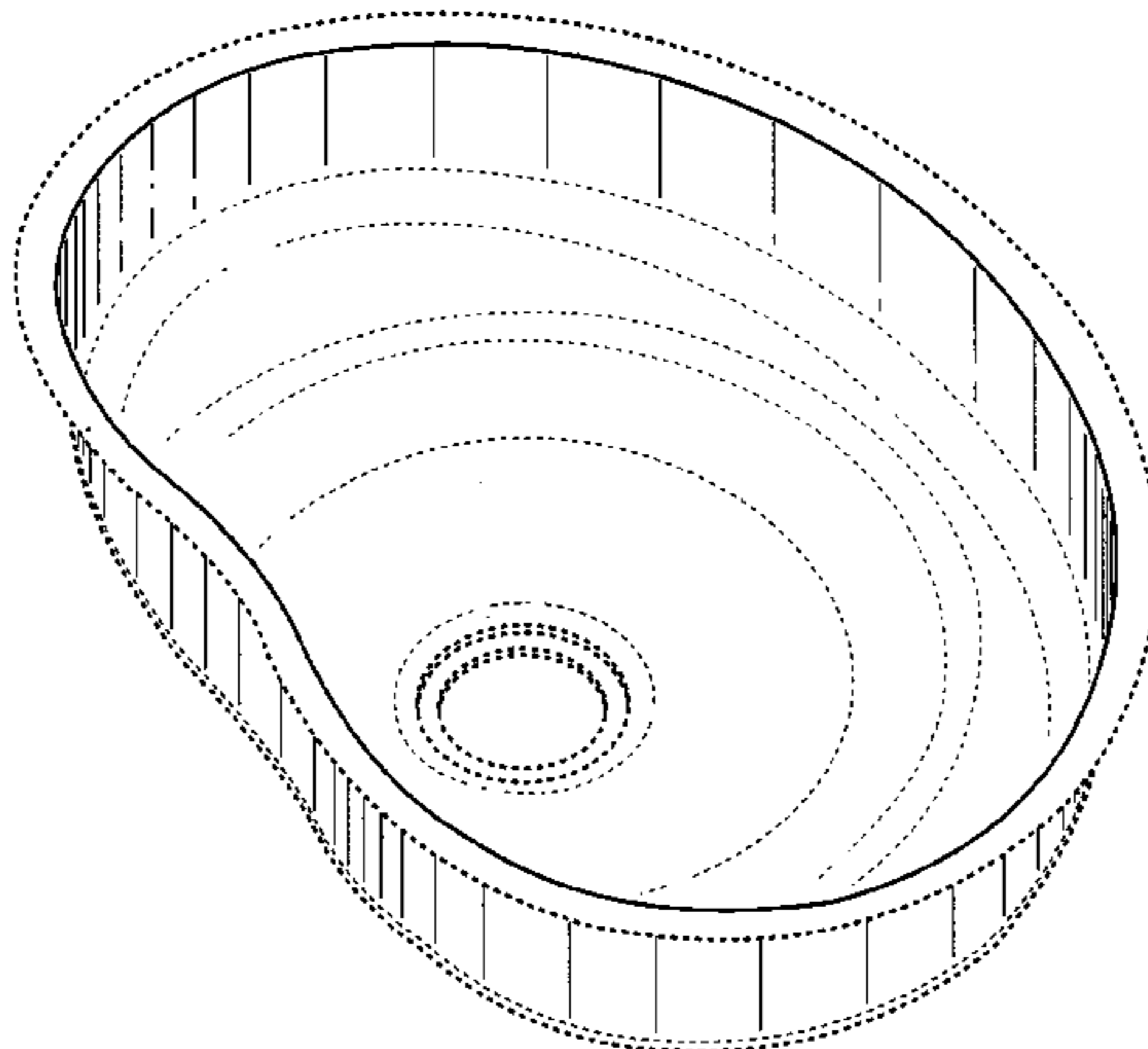
FIG. 6 is a rear elevational side view of the sink shown in FIG. 1;

FIG. 7 is a left elevational side view of the sink shown in FIG. 1; and,

FIG. 8 is a right elevational side view of the sink shown in FIG. 1.

The broken lines are for illustration purposes only and form no part of the claimed design.

**1 Claim, 5 Drawing Sheets**



U.S. PATENT DOCUMENTS

D320,066 S	9/1991	Dannenberg	
D326,750 S	6/1992	Druzek	
D331,477 S	12/1992	Michael et al.	
D337,377 S	7/1993	Bonnell et al.	
D348,760 S	7/1994	Linder	
D356,148 S	3/1995	Kohler, Jr. et al.	
D363,577 S	10/1995	Brightbill et al.	
D418,646 S	1/2000	Hampshire	
D430,275 S	8/2000	Slothrower	
D433,109 S *	10/2000	Wilke et al. ....	D23/284
D455,200 S	4/2002	Marshall	
D471,264 S	3/2003	Bennie	
D473,635 S	4/2003	Lanius	
D477,144 S	7/2003	Remmers	
D492,396 S	6/2004	Sutopo	
D494,663 S *	8/2004	Kakahana .....	D23/292
D498,833 S	11/2004	Bates	
D500,129 S	12/2004	Bates	
6,840,593 B2	1/2005	Remmers	
D520,700 S	5/2006	Plikuhn	
D520,701 S	5/2006	Plikuhn	
D526,454 S	8/2006	Plikuhn	

OTHER PUBLICATIONS

Elkay Manufacturing Co., "Elkay Specifications: Rinsing Baskets, LKERBSS and LKRB Series," (revised Sep. 2004).  
 KOHLER, "The Bold Look of Kohler: All Bottom Basin Racks,"  
 retrieved from <http://www.us.kohler.com/onlinecatalog/>

[product\\_result.jsp?showAll=true&section=1&category=7&sub-category=42&frm=null&module=Bottom+Basin+Racks&cat\\_count=0&sort=Default](http://www.us.kohler.com/onlinecatalog/product_result.jsp?showAll=true&section=1&category=7&sub-category=42&frm=null&module=Bottom+Basin+Racks&cat_count=0&sort=Default), on Aug. 6, 2005.

KOHLER, "The Bold Look of Kohler: All Wire Rinse Baskets,"  
 retrieved from [http://www.us.kohler.com/onlinecatalog/product\\_result.jsp?showAll=true&section=1&category=7&sub-category=47&frm=null&module=Wire+Rinse+Baskets&cat\\_count=0&sort=Default](http://www.us.kohler.com/onlinecatalog/product_result.jsp?showAll=true&section=1&category=7&sub-category=47&frm=null&module=Wire+Rinse+Baskets&cat_count=0&sort=Default), on Aug. 6, 2005.

KOHLER, "The Bold Look of Kohler: Undertone™ large D-bowl kitchen sink,"  
 retrieved from [http://www.us.kohler.com/onlinecatalog/print.jsp?item=8533902&prod\\_num=3185&category=5&frm=null](http://www.us.kohler.com/onlinecatalog/print.jsp?item=8533902&prod_num=3185&category=5&frm=null), on Jan. 11, 2006.

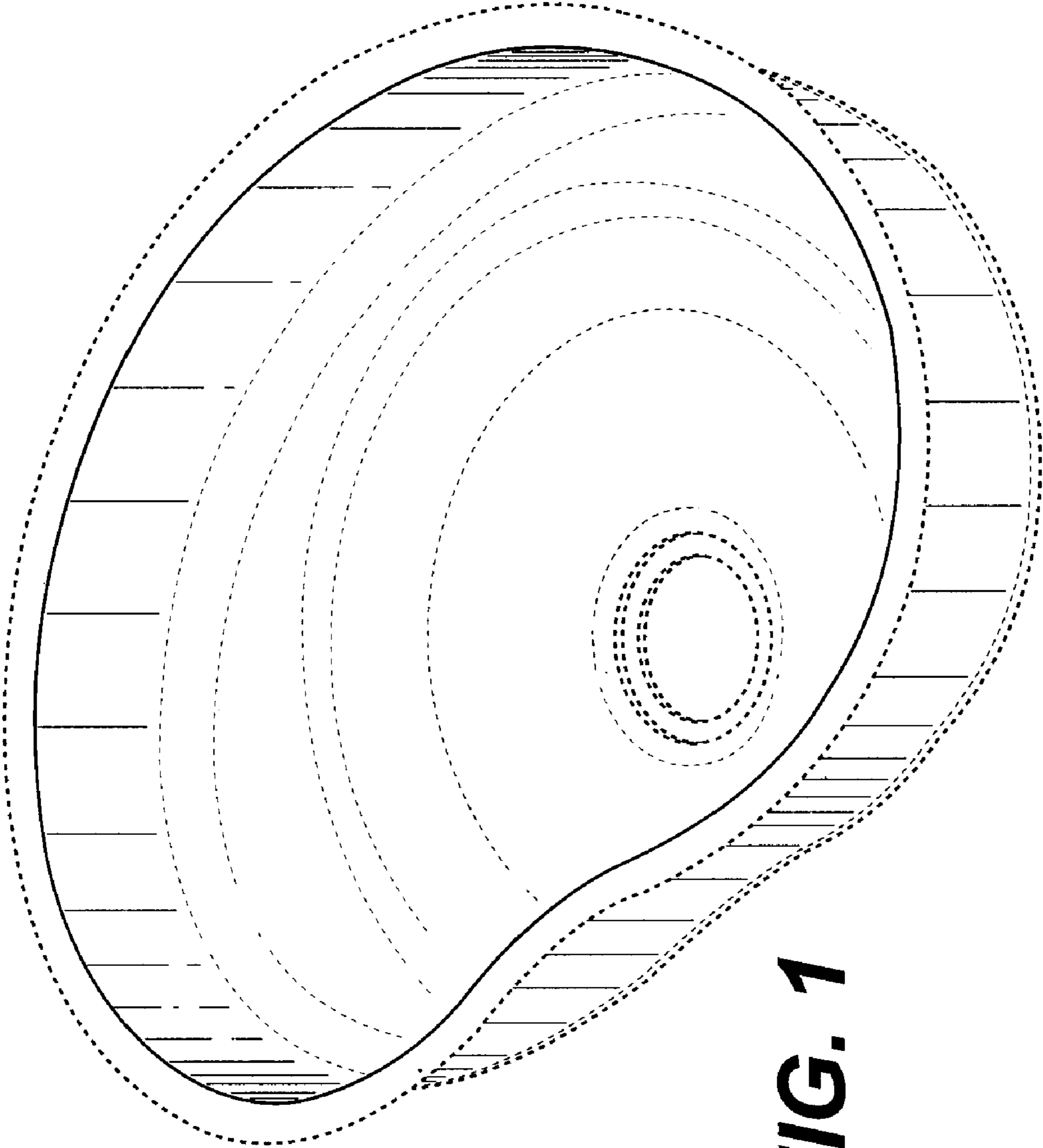
KOHLER, "The Bold Look of Kohler: Garamond™ undercounter lavatory,"  
 retrieved from [http://www.us.kohler.com/onlinecatalog/print.jsp?item=9940402&prod\\_num=2832&category=16&frm=null](http://www.us.kohler.com/onlinecatalog/print.jsp?item=9940402&prod_num=2832&category=16&frm=null), on Jan. 13, 2006.

KOHLER, "The Bold Look of Kohler: All Sinks,"  
 retrieved from [http://www.us.kohler.com/onlinecatalog/product\\_result.jsp?showAll=true&section=1&category=5&subcategory=36&frm=null&module=Kitchen+Sinks&cat\\_count=7&QS\\_0=All&QS\\_1=All&QS\\_2=All&QS\\_3=All&QS\\_4=All&QS\\_5=All&QS\\_6=All&sort=Default](http://www.us.kohler.com/onlinecatalog/product_result.jsp?showAll=true&section=1&category=5&subcategory=36&frm=null&module=Kitchen+Sinks&cat_count=7&QS_0=All&QS_1=All&QS_2=All&QS_3=All&QS_4=All&QS_5=All&QS_6=All&sort=Default) on Aug. 6, 2005.

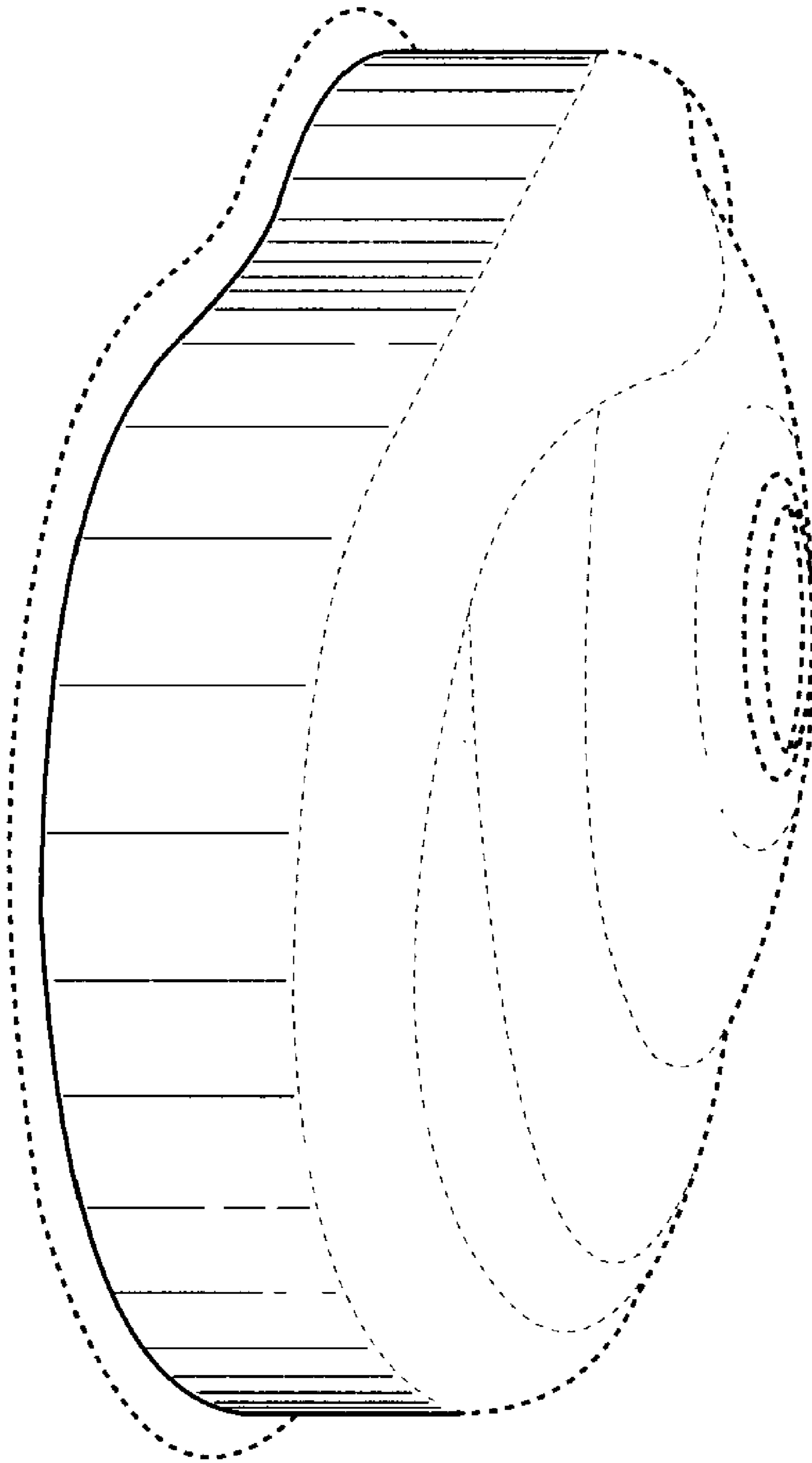
RUBBERMAID, Catalog page, "Sinkware: Convenient, durable Rubbermaid products for protecting areas in and around the sink" (1991).

Williams Sonoma, Catalog page (Spring 1994).

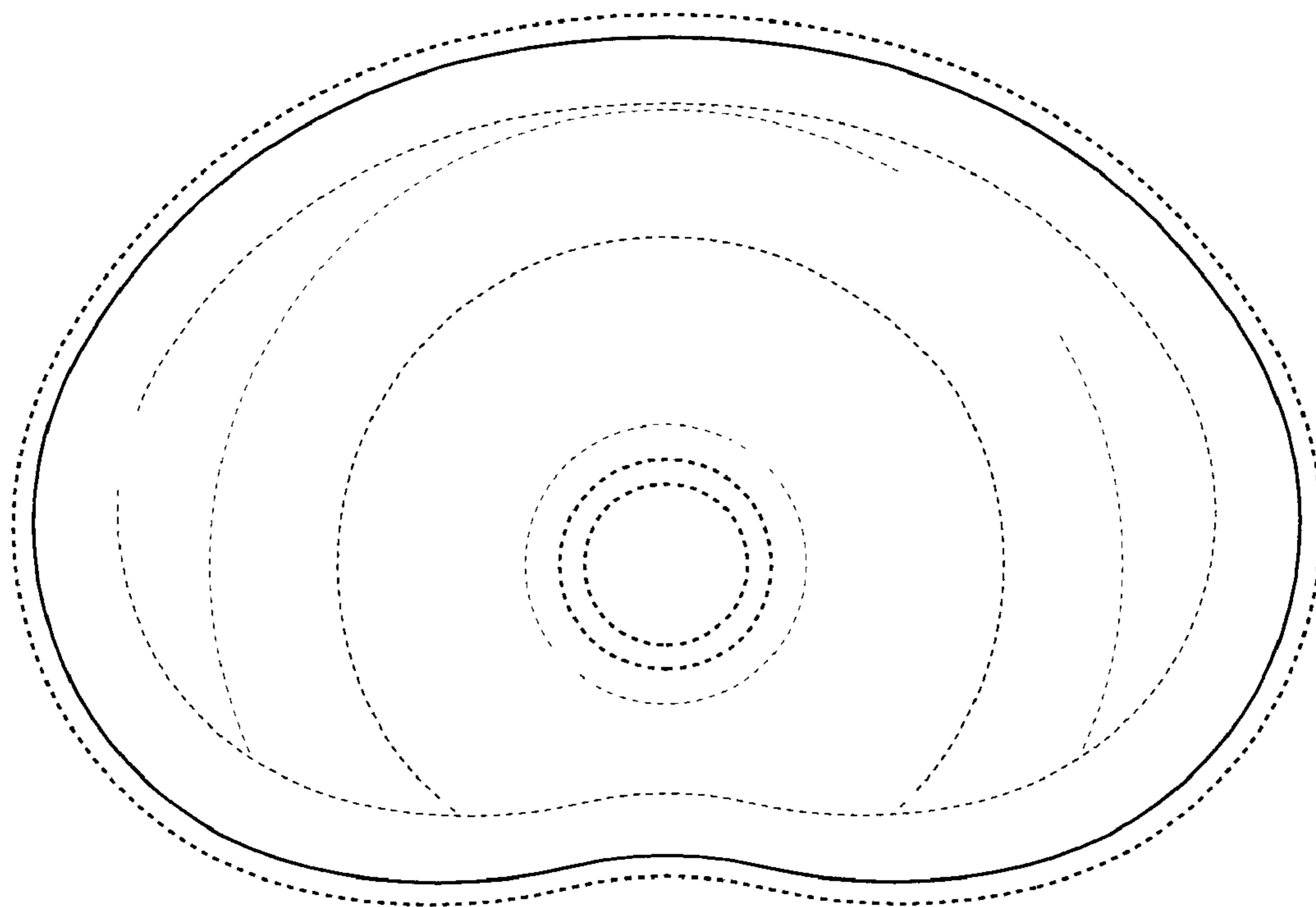
\* cited by examiner



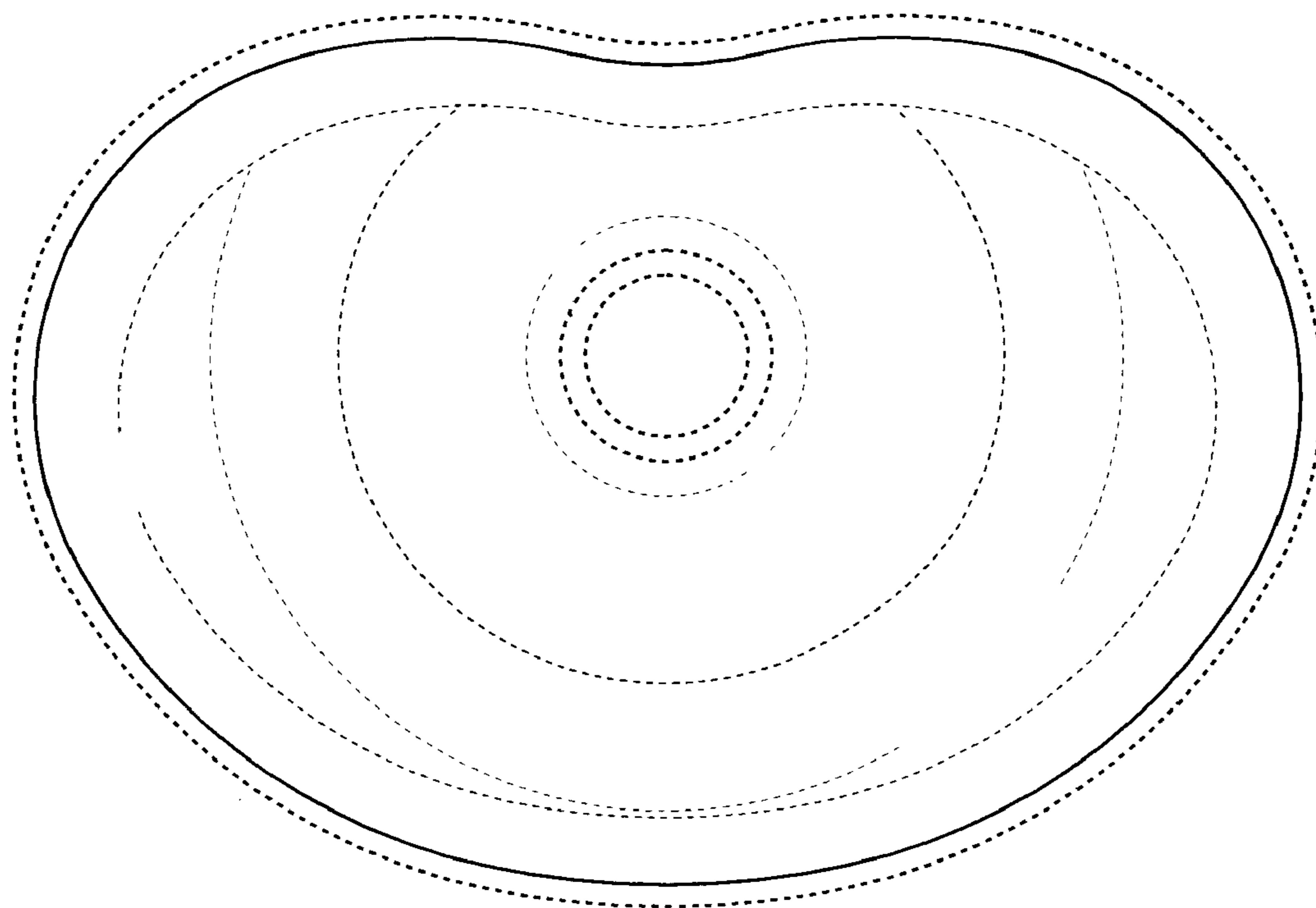
**FIG. 1**



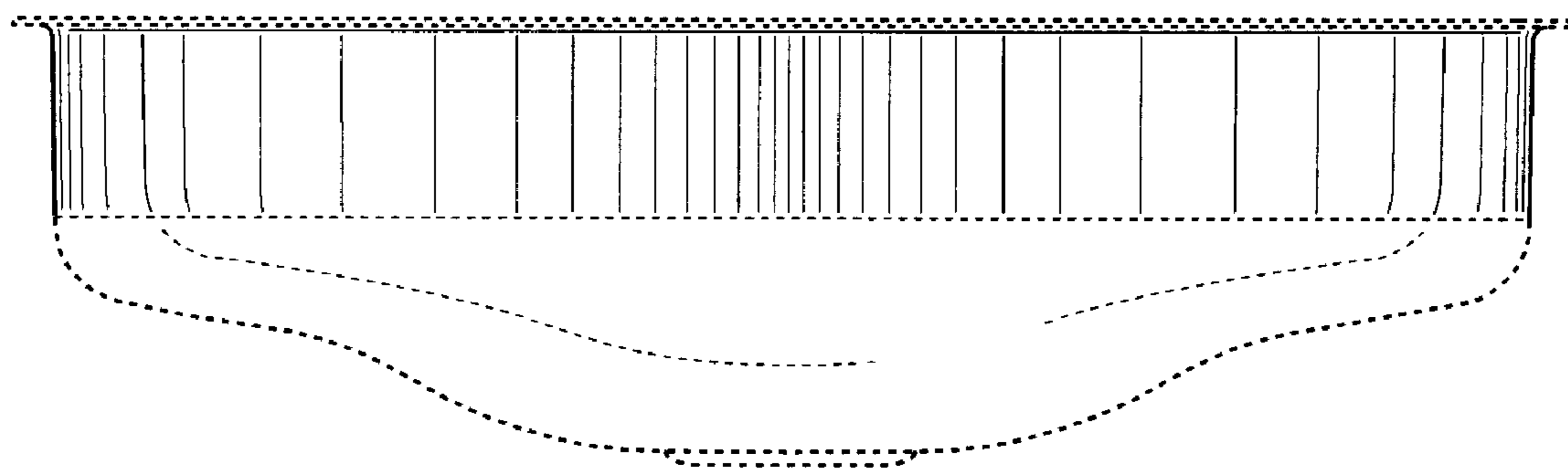
**FIG. 2**



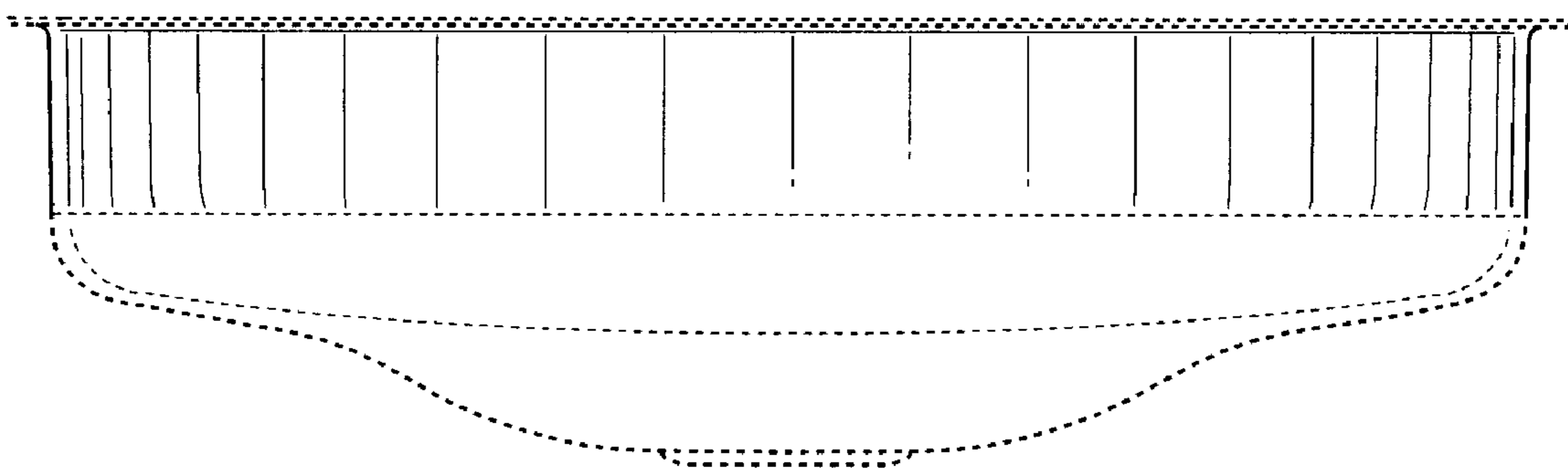
**FIG. 3**



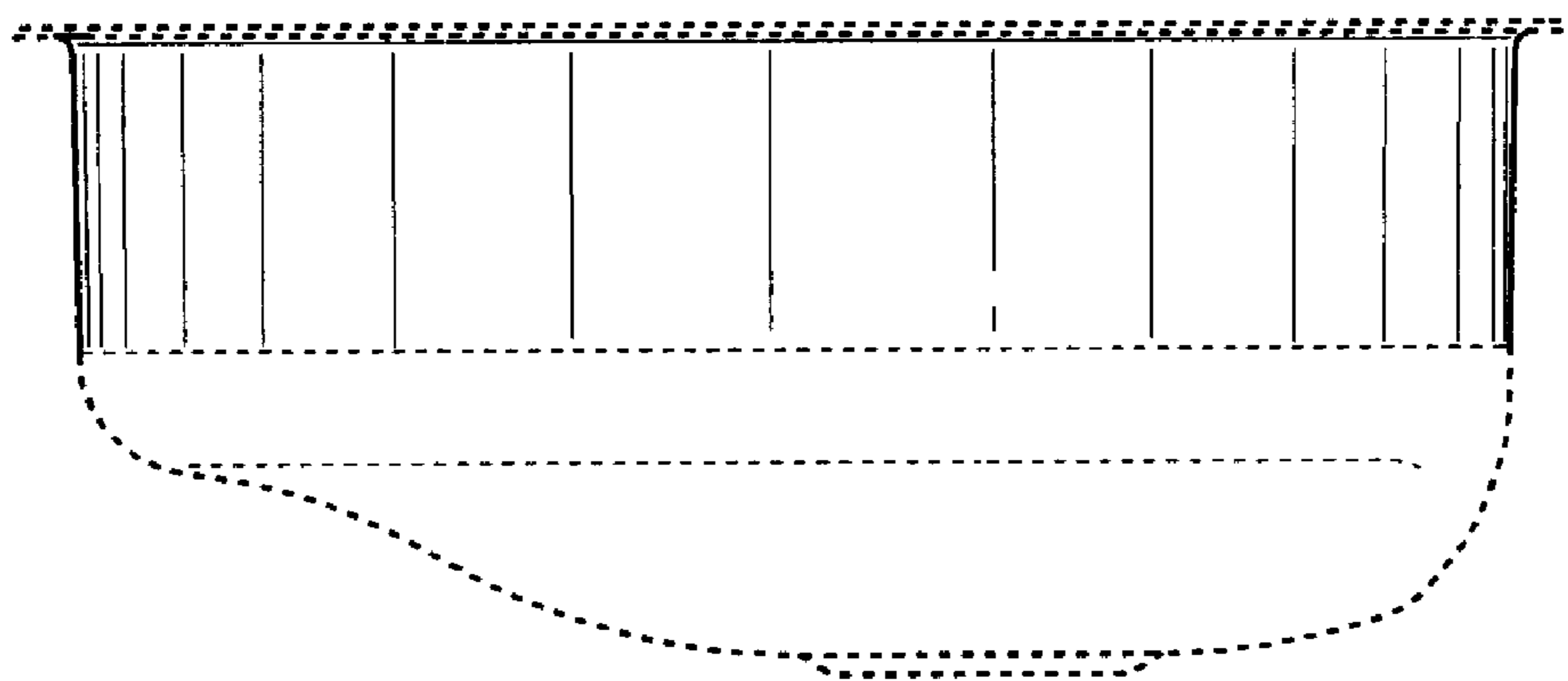
**FIG. 4**



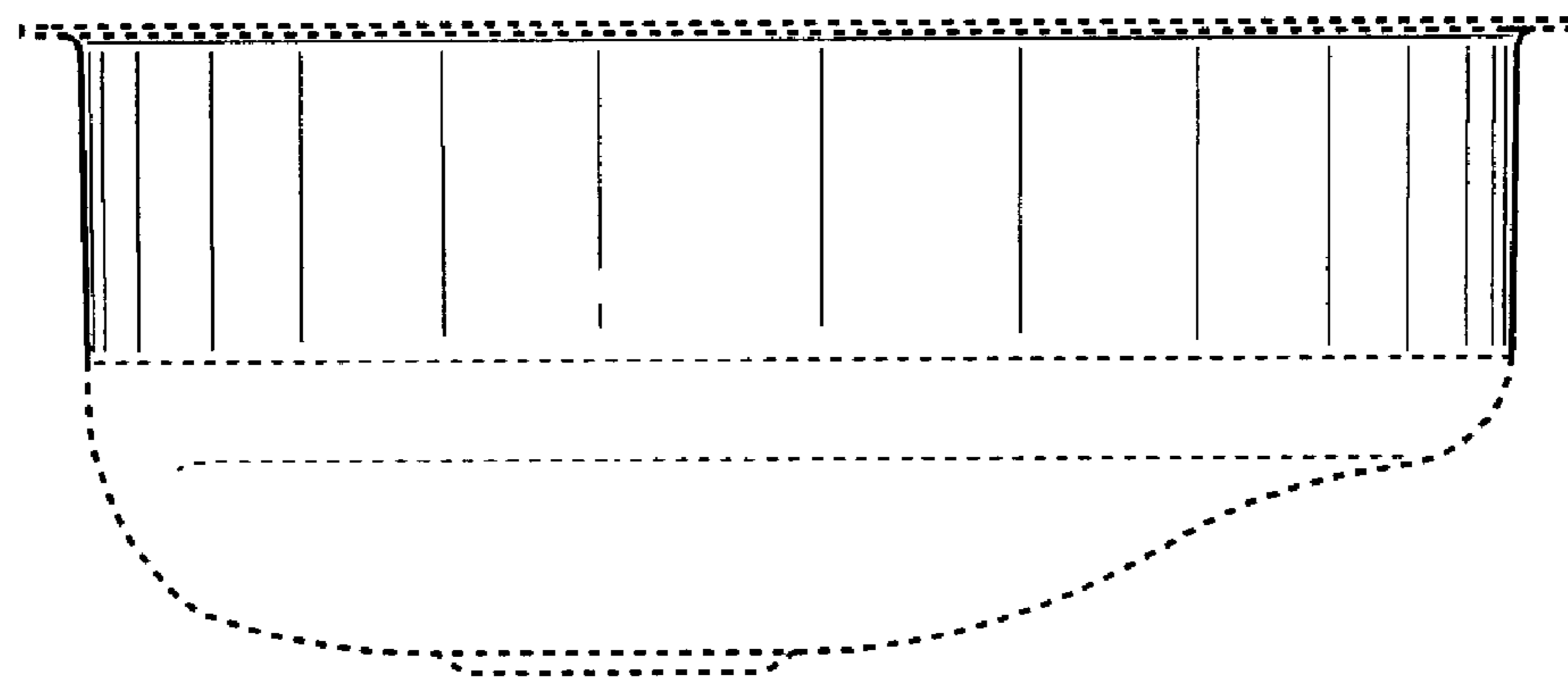
**FIG. 5**



**FIG. 6**



**FIG. 7**



**FIG. 8**