



US00D556863S

(12) **United States Design Patent**  
**Demmer et al.**

(10) **Patent No.:** **US D556,863 S**

(45) **Date of Patent:** **\*\* Dec. 4, 2007**

(54) **MIXER TAP FOR A KITCHEN SINK**

D534,619 S \* 1/2007 Garner ..... D23/238

(75) Inventors: **Erik Demmer**, Munich (DE);  
**Christian Schäffler**, Munich (DE)

\* cited by examiner

(73) Assignee: **Arwa AG**, Wallisellen (CH)

*Primary Examiner*—Lou Zarfaz

*Assistant Examiner*—Gregory Andoll

(\*\*) Term: **14 Years**

(74) *Attorney, Agent, or Firm*—Sughrue Mion Pllc.

(21) Appl. No.: **29/268,494**

(57) **CLAIM**

(22) Filed: **Nov. 8, 2006**

The ornamental design for a mixer tap for a kitchen sink, as shown and described.

(51) **LOC (8) Cl.** ..... **23-01**

(52) **U.S. Cl.** ..... **D23/235**

(58) **Field of Classification Search** ..... D23/238–257;  
4/675–678; 137/801

See application file for complete search history.

**DESCRIPTION**

FIG. 1 is a perspective view of the top front and right side of a mixer tap for a kitchen sink showing our new design;

FIG. 2 is a front elevational view thereof;

FIG. 3 is a rear elevational view thereof;

FIG. 4 is a left side elevational view thereof, the right side elevational view being a mirror image thereof;

FIG. 5 is a top plan view thereof; and,

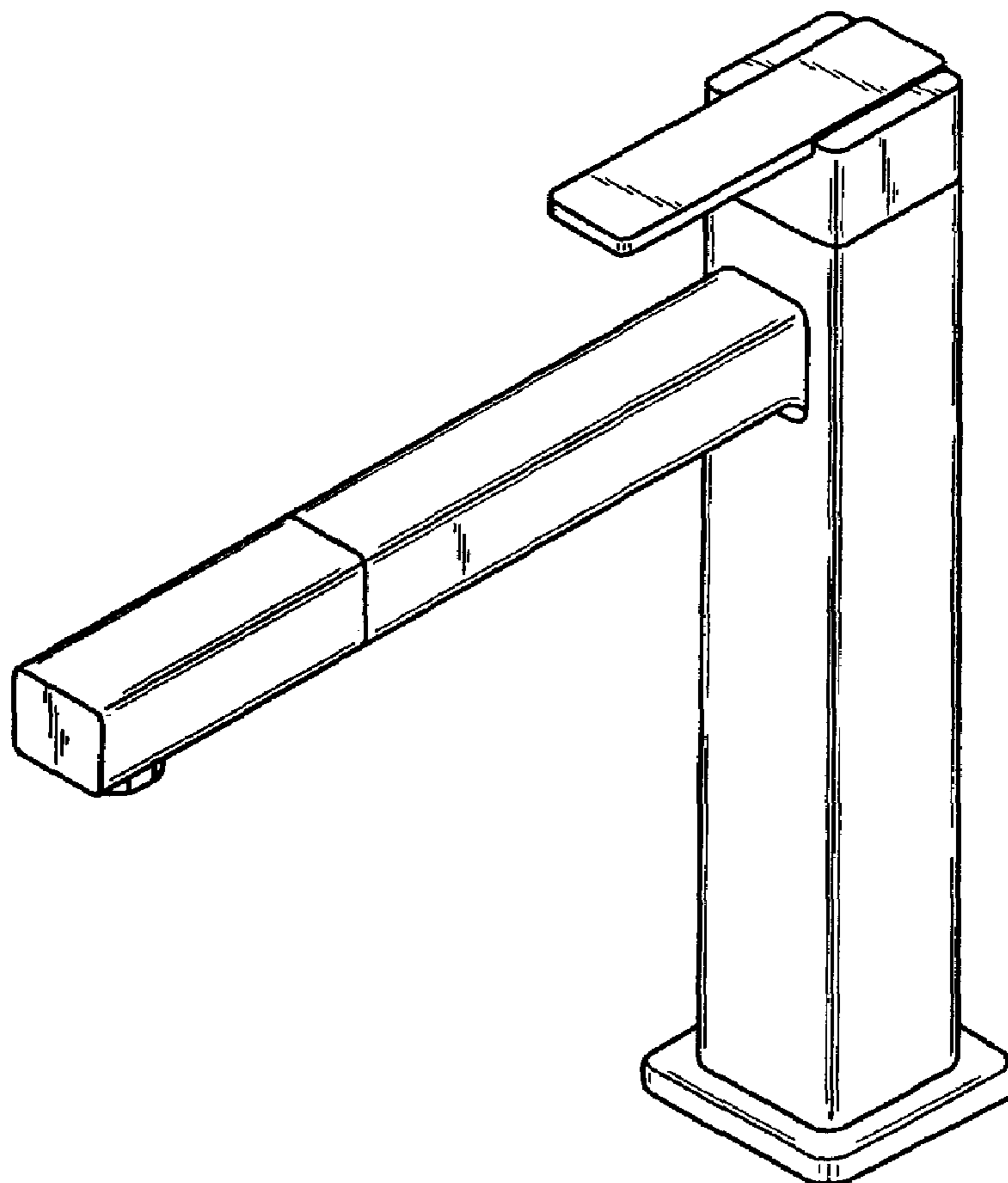
FIG. 6 is a bottom plan view thereof.

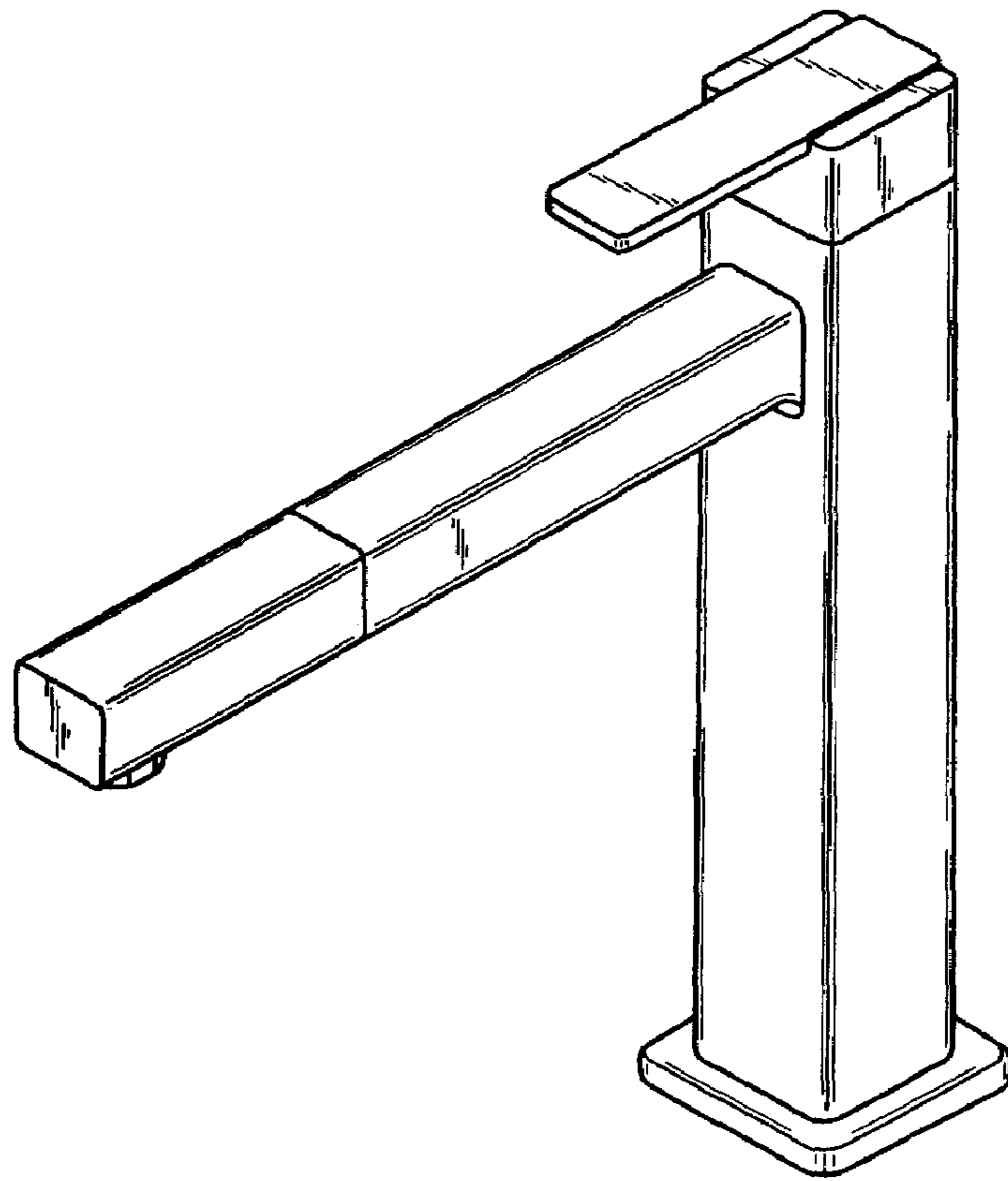
(56) **References Cited**

U.S. PATENT DOCUMENTS

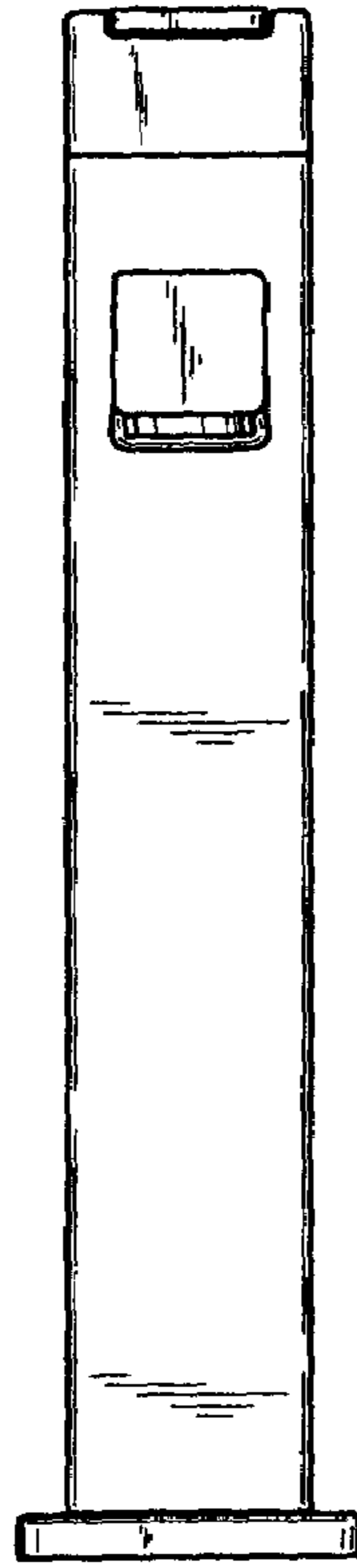
- D489,432 S \* 5/2004 Lammel et al. .... D23/238
- D503,217 S \* 3/2005 Aubry et al. .... D23/255
- D510,978 S \* 10/2005 Kulig ..... D23/238

**1 Claim, 3 Drawing Sheets**

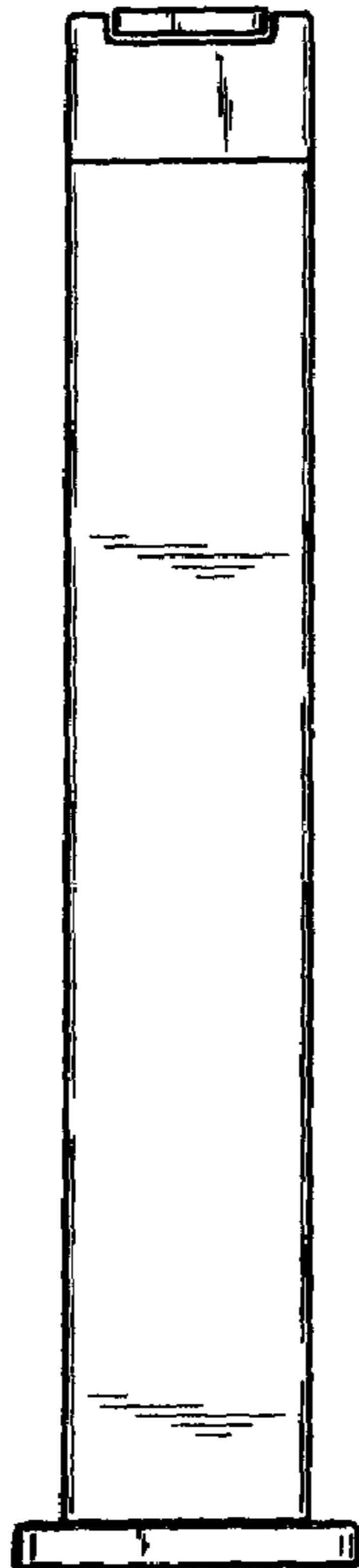




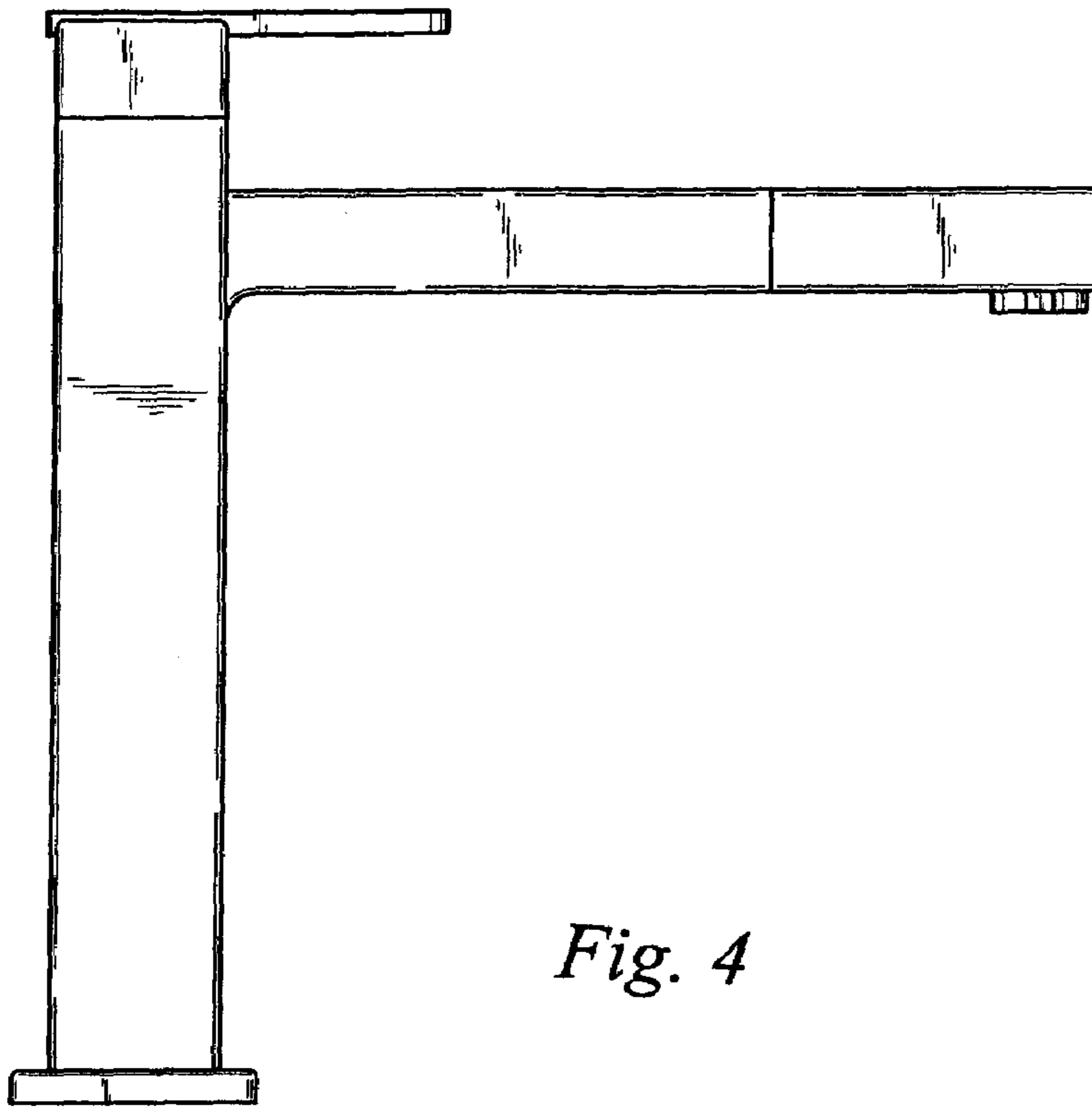
*Fig. 1*



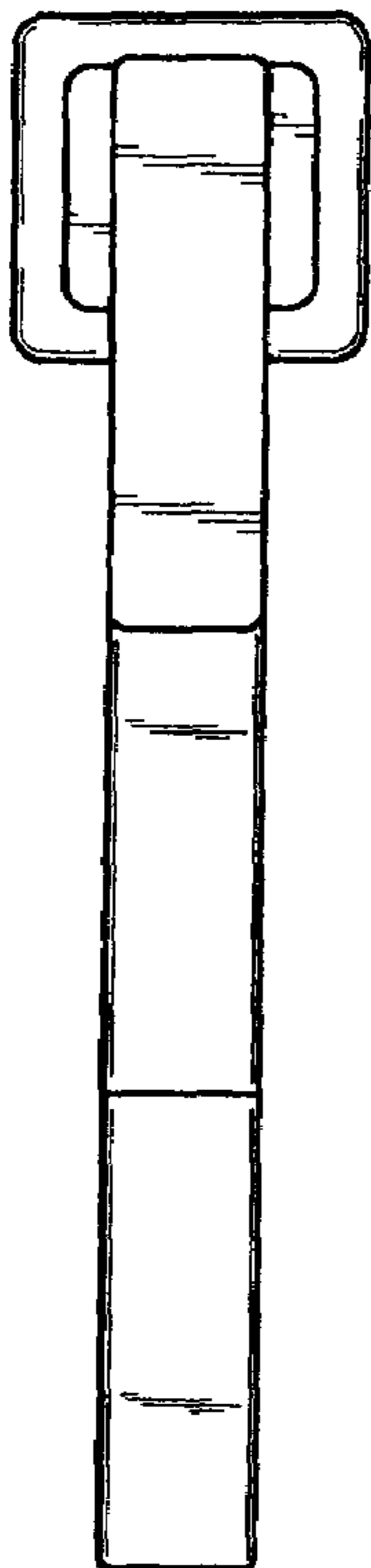
*Fig. 2*



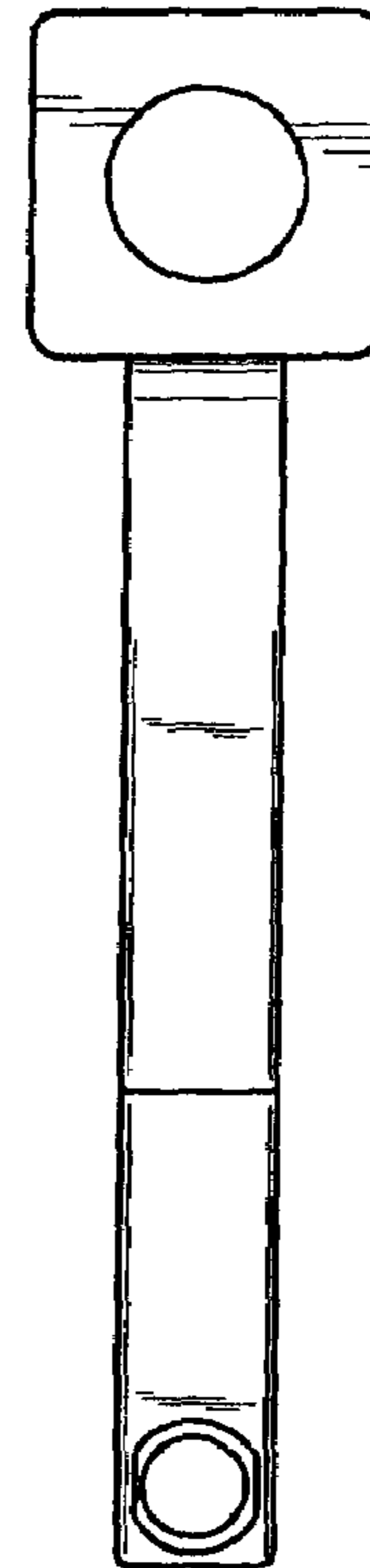
*Fig. 3*



*Fig. 4*



*Fig. 5*



*Fig. 6*