



US00D556861S

(12) **United States Design Patent**
Yokohari

(10) **Patent No.:** **US D556,861 S**

(45) **Date of Patent:** **** Dec. 4, 2007**

(54) **FLUID PRESSURE CYLINDER**

(75) Inventor: **Isao Yokohari**, Tsukubamirai (JP)

(73) Assignee: **SMC Corporation**, Chiyoda-ku, Tokyo (JP)

(**) Term: **14 Years**

(21) Appl. No.: **29/268,289**

(22) Filed: **Nov. 2, 2006**

(30) **Foreign Application Priority Data**

May 10, 2006 (JP) 2006-011826

(51) **LOC (8) Cl.** **23-01**

(52) **U.S. Cl.** **D23/233**

(58) **Field of Classification Search** D23/233-237,
D23/244-250, 421; D15/7, 143, 148; 91/394,
91/395, 407, 408; 92/5 L, 15-17, 21 MR,
92/28, 51, 52, 68, 88, 129, 137, 143, 165 PR,
92/168, 169, 177; 137/625.64, 596.13, 596.16,
137/271, 343, 272; D10/85

See application file for complete search history.

(56) **References Cited**

U.S. PATENT DOCUMENTS

D382,331 S * 8/1997 Iida et al. D23/245
D382,631 S * 8/1997 Iida et al. D23/245

D439,533 S * 3/2001 Wakasugi et al. D10/85
D444,795 S * 7/2001 Wakasugi et al. D15/7
D461,733 S * 8/2002 Iida D10/85
D500,258 S * 12/2004 Kita et al. D10/85
D500,259 S * 12/2004 Kita et al. D10/85
D522,090 S * 5/2006 Matsumoto et al. D23/233
D542,682 S * 5/2007 Waki et al. D10/85

* cited by examiner

Primary Examiner—Ian Simmons

Assistant Examiner—Maurice Stevens

(74) *Attorney, Agent, or Firm*—Peter Ganjian

(57) **CLAIM**

The ornamental design for a fluid pressure cylinder, as shown and described.

DESCRIPTION

FIG. 1 shows a front view of a fluid pressure cylinder showing my new design;

FIG. 2 shows a rear view thereof;

FIG. 3 shows a top view thereof;

FIG. 4 shows a bottom view thereof;

FIG. 5 shows a left side view thereof;

FIG. 6 shows a right side view thereof; and,

FIG. 7 shows a perspective view thereof.

1 Claim, 3 Drawing Sheets

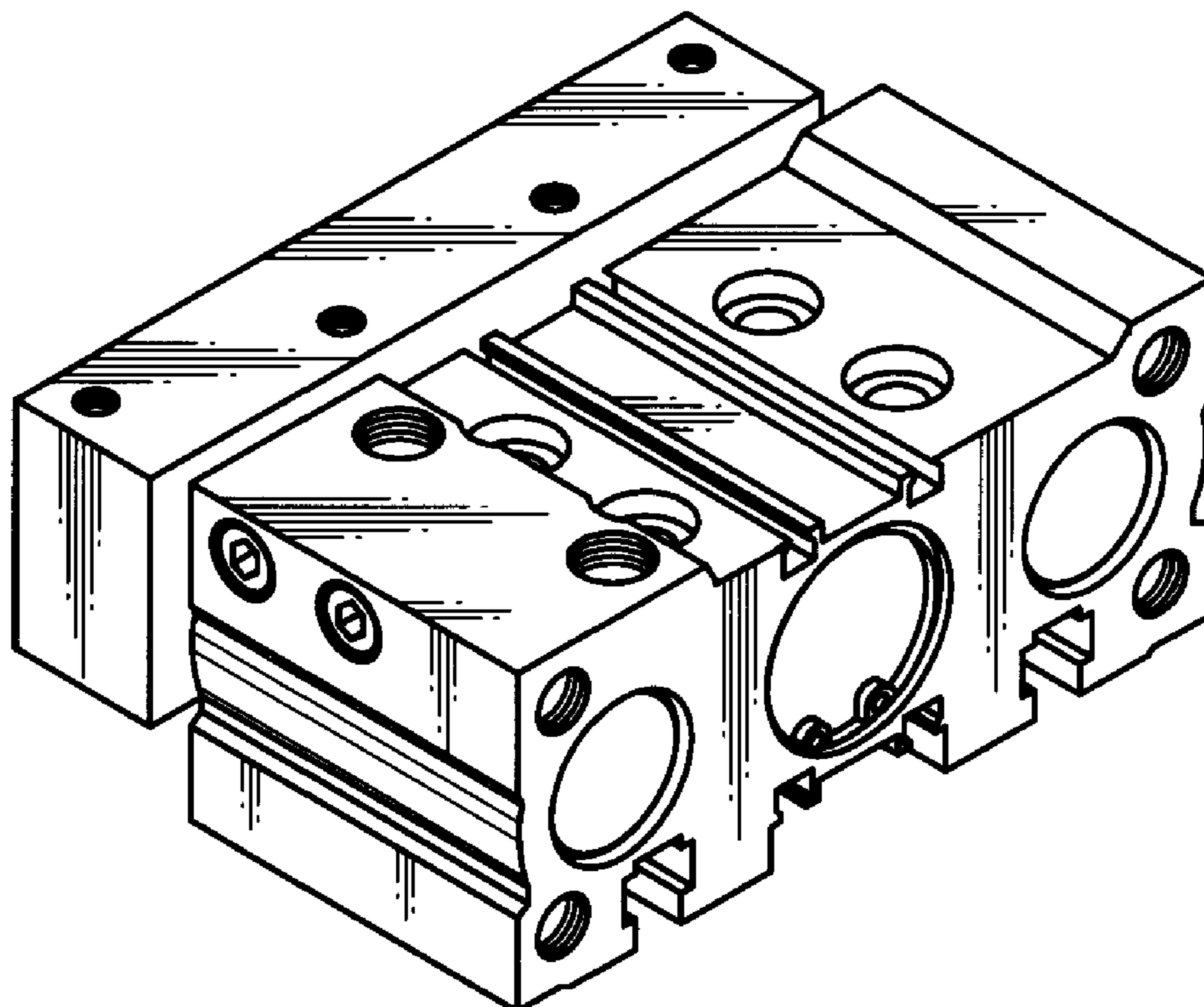


FIG. 1

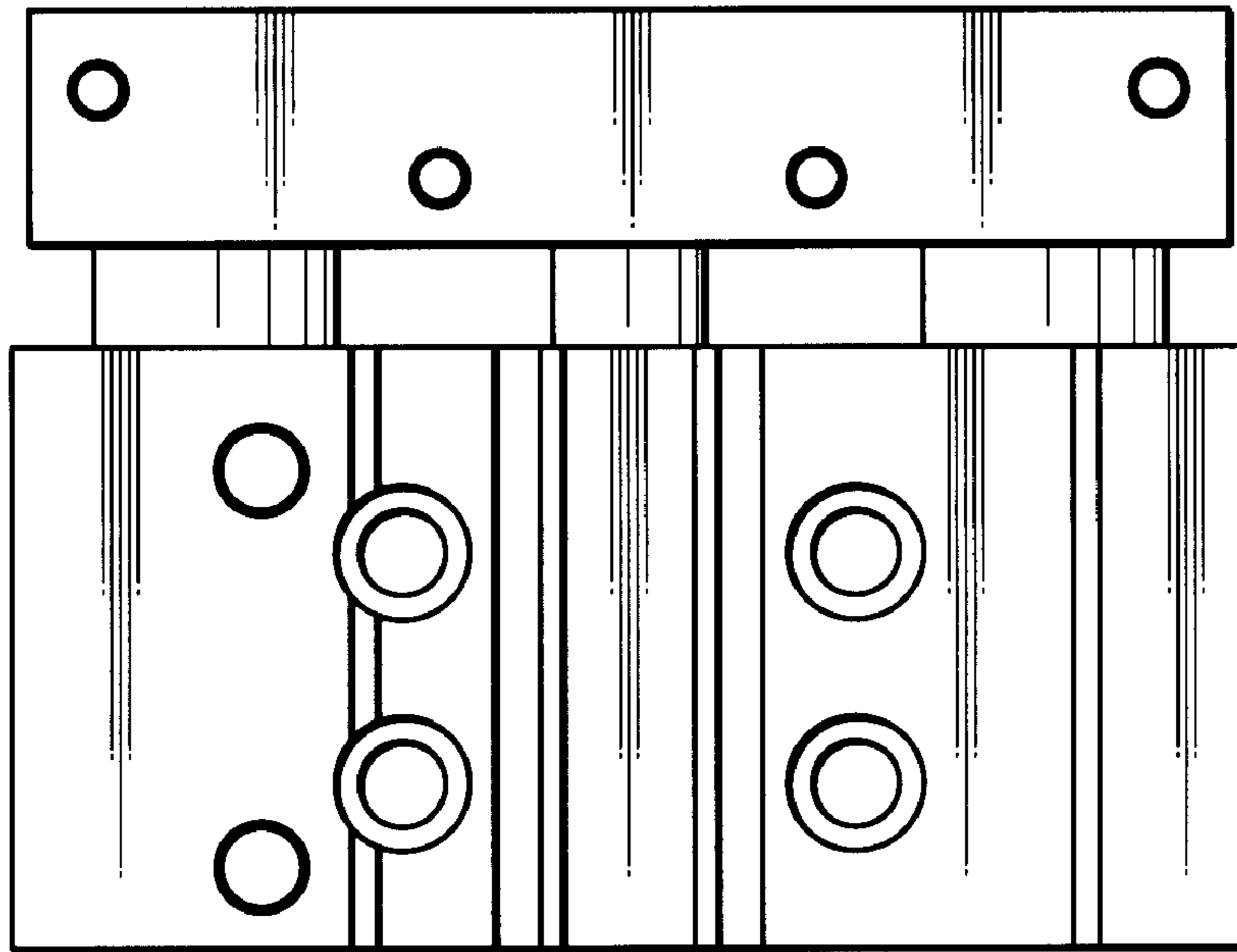


FIG. 2

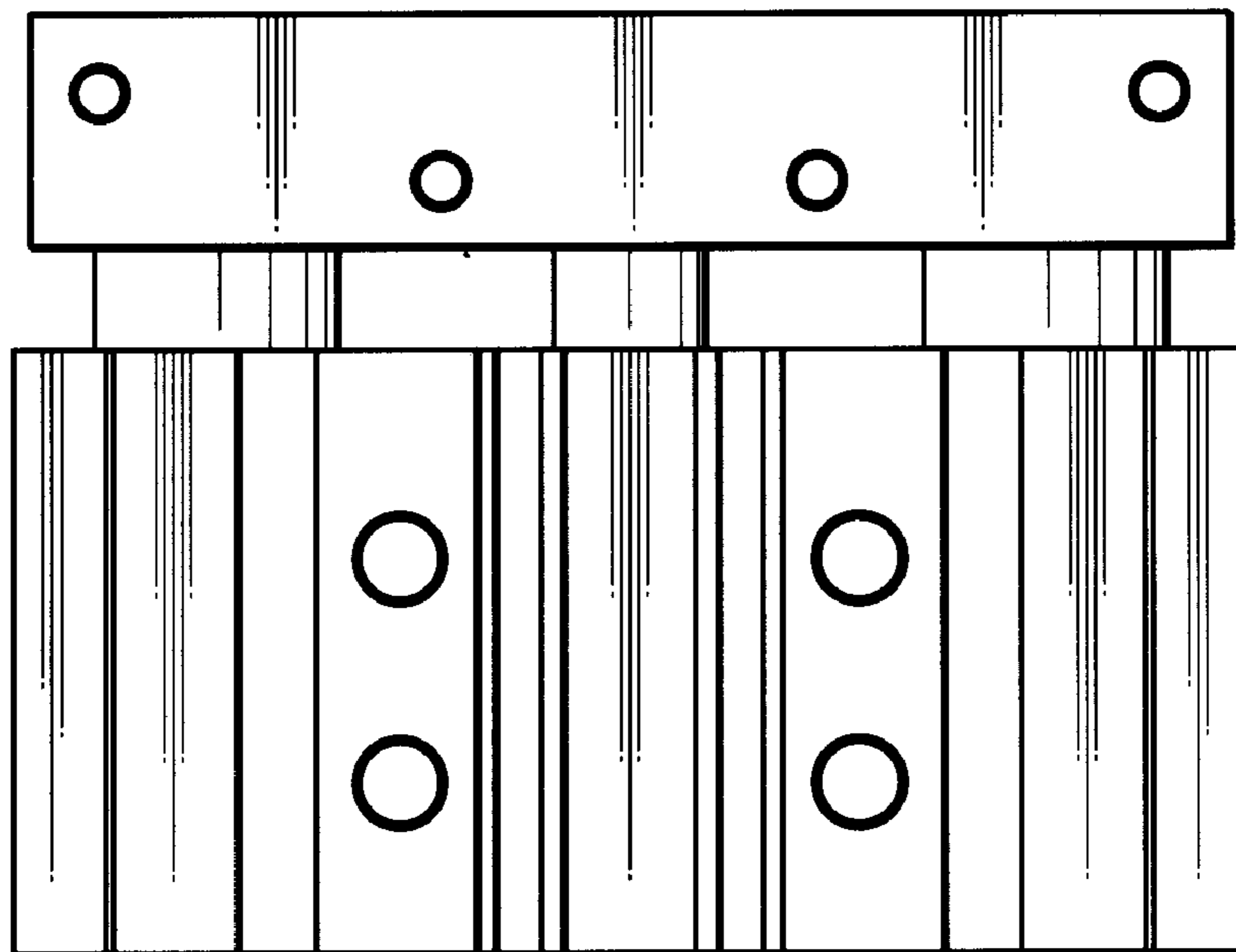


FIG. 3

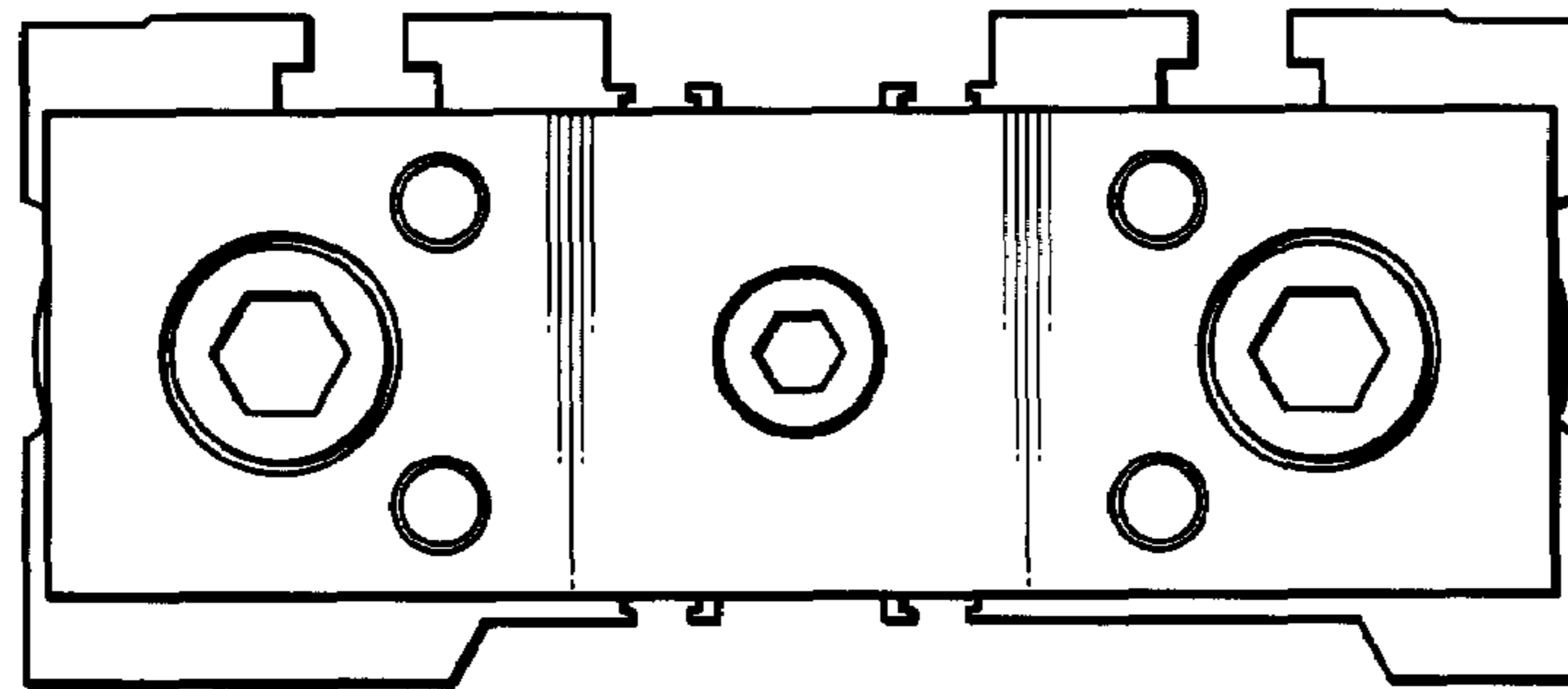


FIG. 4

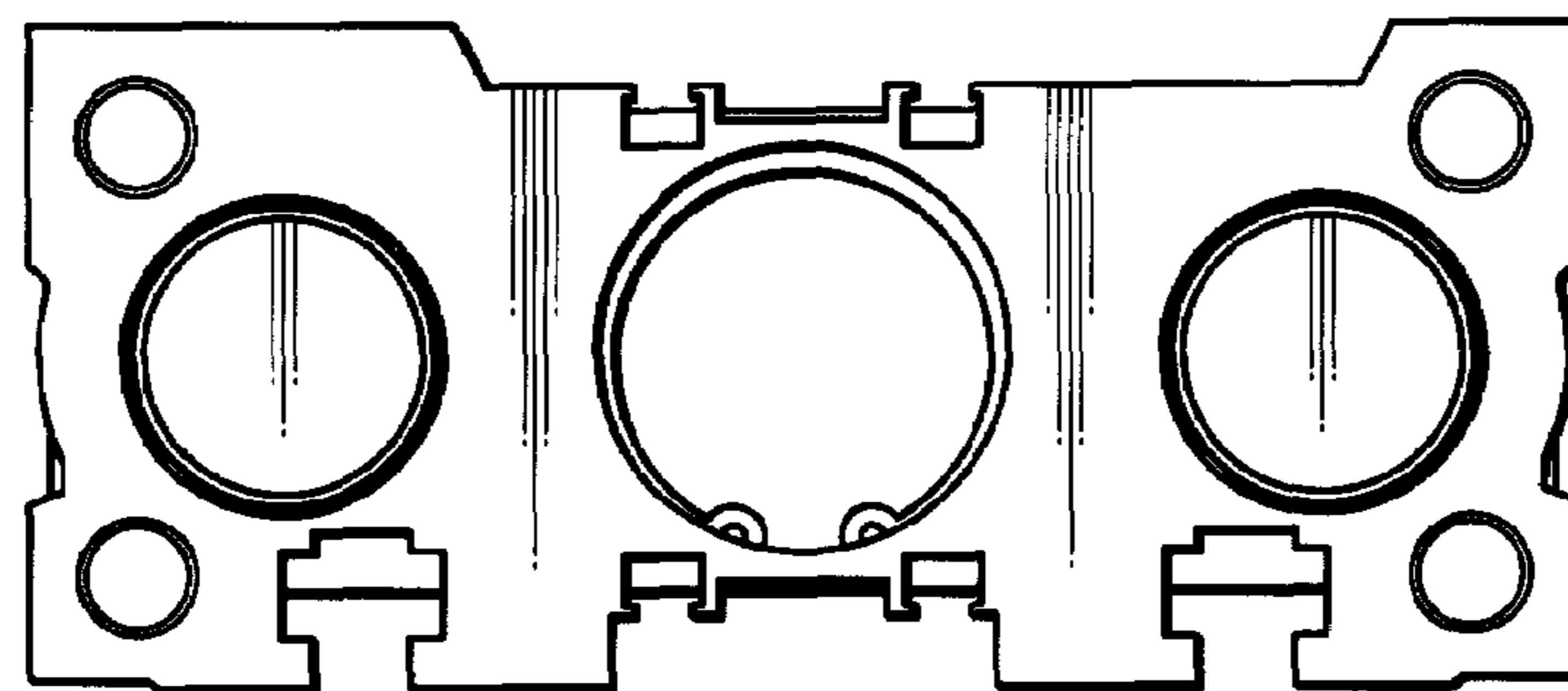


FIG. 5

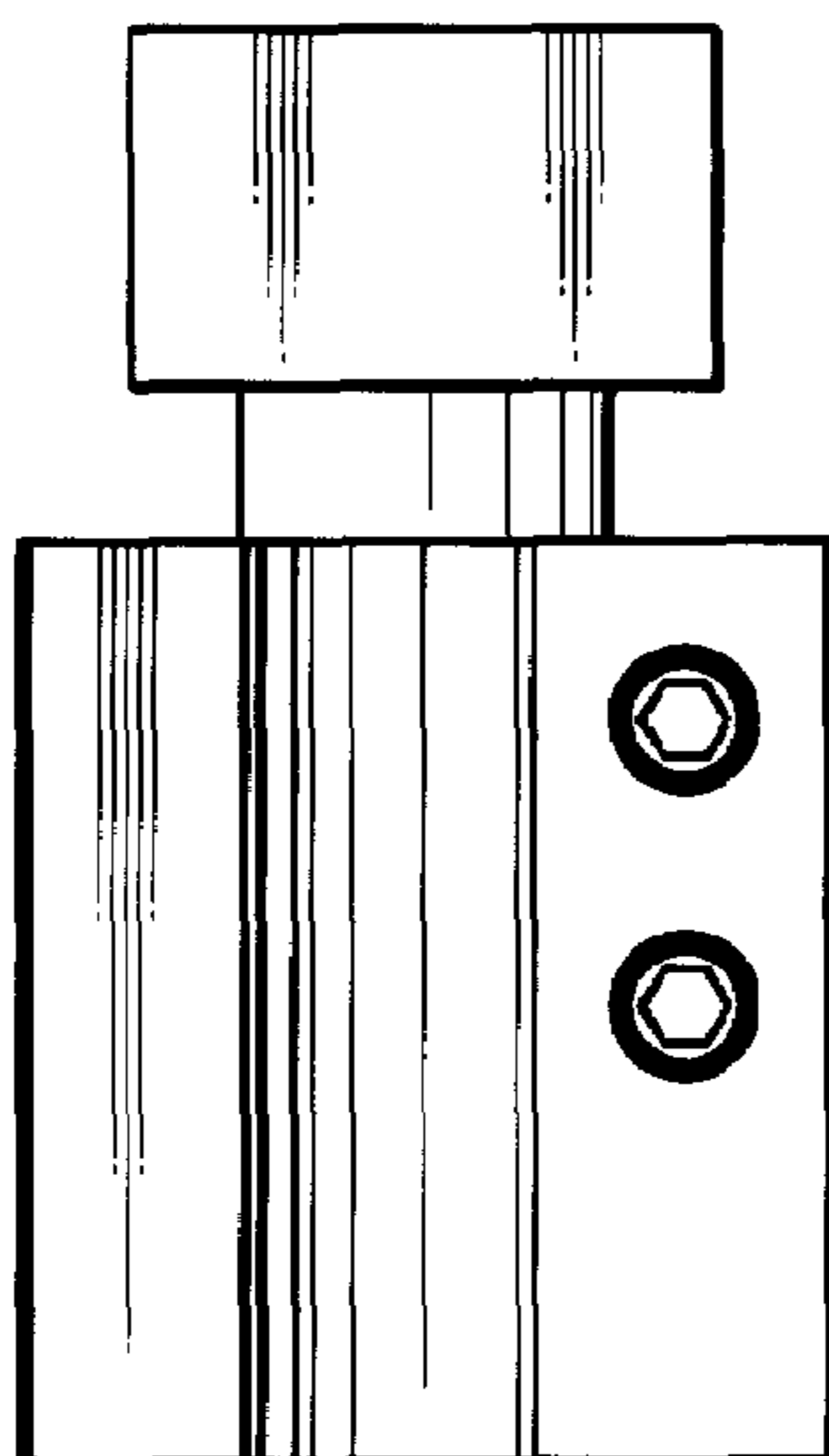


FIG. 6

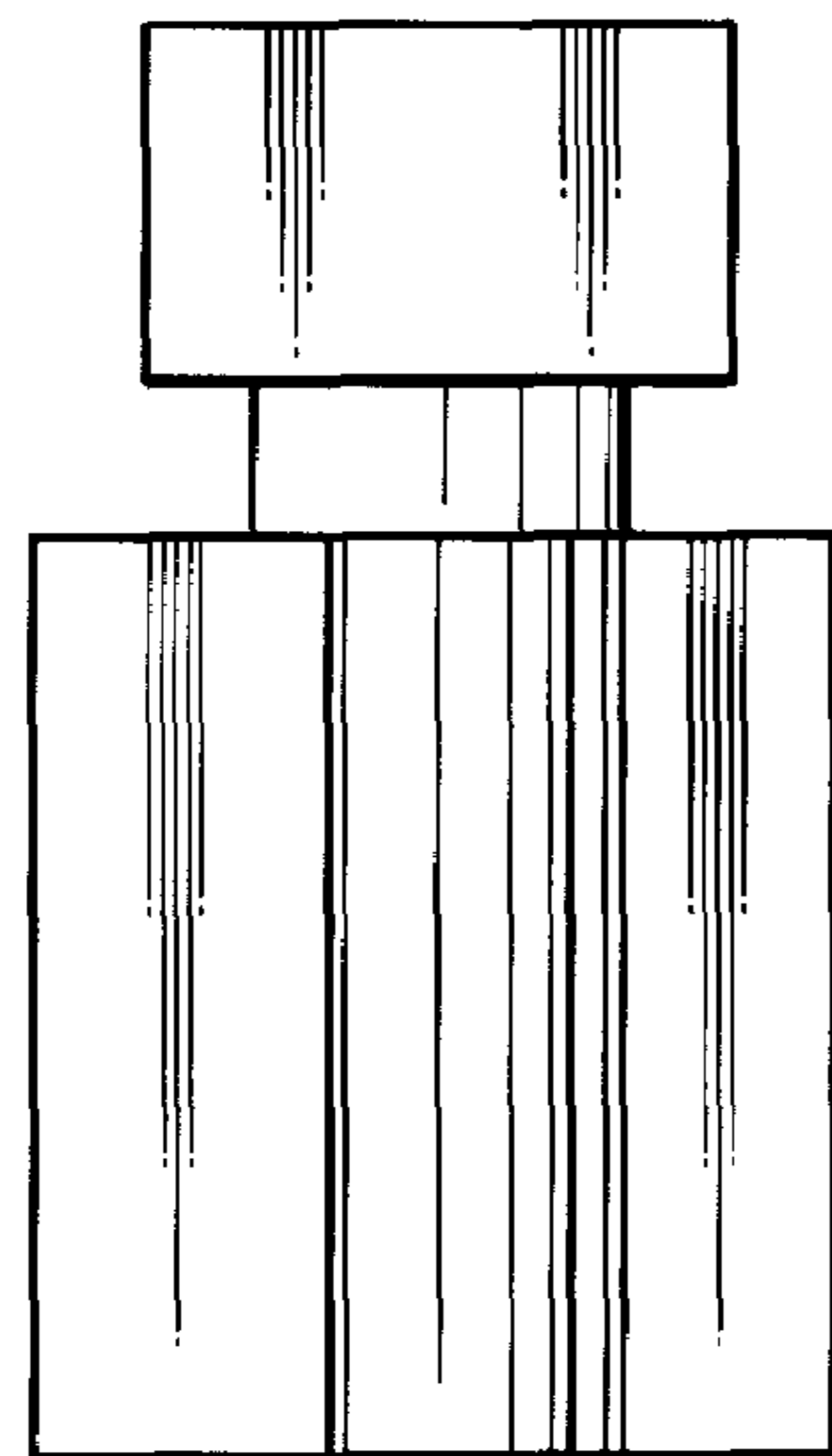


FIG. 7

