



US00D556860S

(12) **United States Design Patent**  
**Yokohari**

(10) **Patent No.:** **US D556,860 S**

(45) **Date of Patent:** **\*\* Dec. 4, 2007**

(54) **FLUID PRESSURE CYLINDER**

(75) Inventor: **Isao Yokohari**, Tsukubamirai (JP)

(73) Assignee: **SMC Corporation**, Chiyoda-ku, Tokyo (JP)

(\*\*) Term: **14 Years**

(21) Appl. No.: **29/268,266**

(22) Filed: **Nov. 2, 2006**

(30) **Foreign Application Priority Data**

May 10, 2006 (JP) ..... 2006-011825

(51) **LOC (8) Cl.** ..... **23-01**

(52) **U.S. Cl.** ..... **D23/233**

(58) **Field of Classification Search** ..... D23/233-237, D23/244-250, 421; D15/7, 143, 148; 91/394, 91/395, 407, 408; 92/5 L, 15-17, 21 MR, 92/28, 51, 52, 68, 88, 129, 137, 143, 165 PR, 92/168, 169, 177; 137/625.64, 596.13, 596.16, 137/271, 343, 272; D10/85

See application file for complete search history.

(56) **References Cited**

**U.S. PATENT DOCUMENTS**

D382,331 S \* 8/1997 Iida et al. .... D23/245  
D382,631 S \* 8/1997 Iida et al. .... D23/245  
D439,533 S \* 3/2001 Wakasugi et al. .... D10/85

D444,795 S \* 7/2001 Wakasugi et al. .... D15/7  
D461,733 S \* 8/2002 Iida ..... D10/85  
D500,258 S \* 12/2004 Kita et al. .... D10/85  
D500,259 S \* 12/2004 Kita et al. .... D10/85  
D522,090 S \* 5/2006 Matsumoto et al. .... D23/233  
D542,682 S \* 5/2007 Waki ..... D10/85

\* cited by examiner

*Primary Examiner*—Ian Simmons

*Assistant Examiner*—Maurice Stevens

(74) *Attorney, Agent, or Firm*—Peter Ganjian

(57) **CLAIM**

The ornamental design for a fluid pressure cylinder, as shown and described.

**DESCRIPTION**

FIG. 1 shows a front view of a fluid pressure cylinder showing my new design;

FIG. 2 shows a rear view thereof;

FIG. 3 shows a top view thereof;

FIG. 4 shows a bottom view thereof;

FIG. 5 shows a left side view thereof;

FIG. 6 shows a right side view thereof;

FIG. 7 shows a perspective view thereof; and,

FIG. 8 shows a perspective view thereof.

**1 Claim, 3 Drawing Sheets**

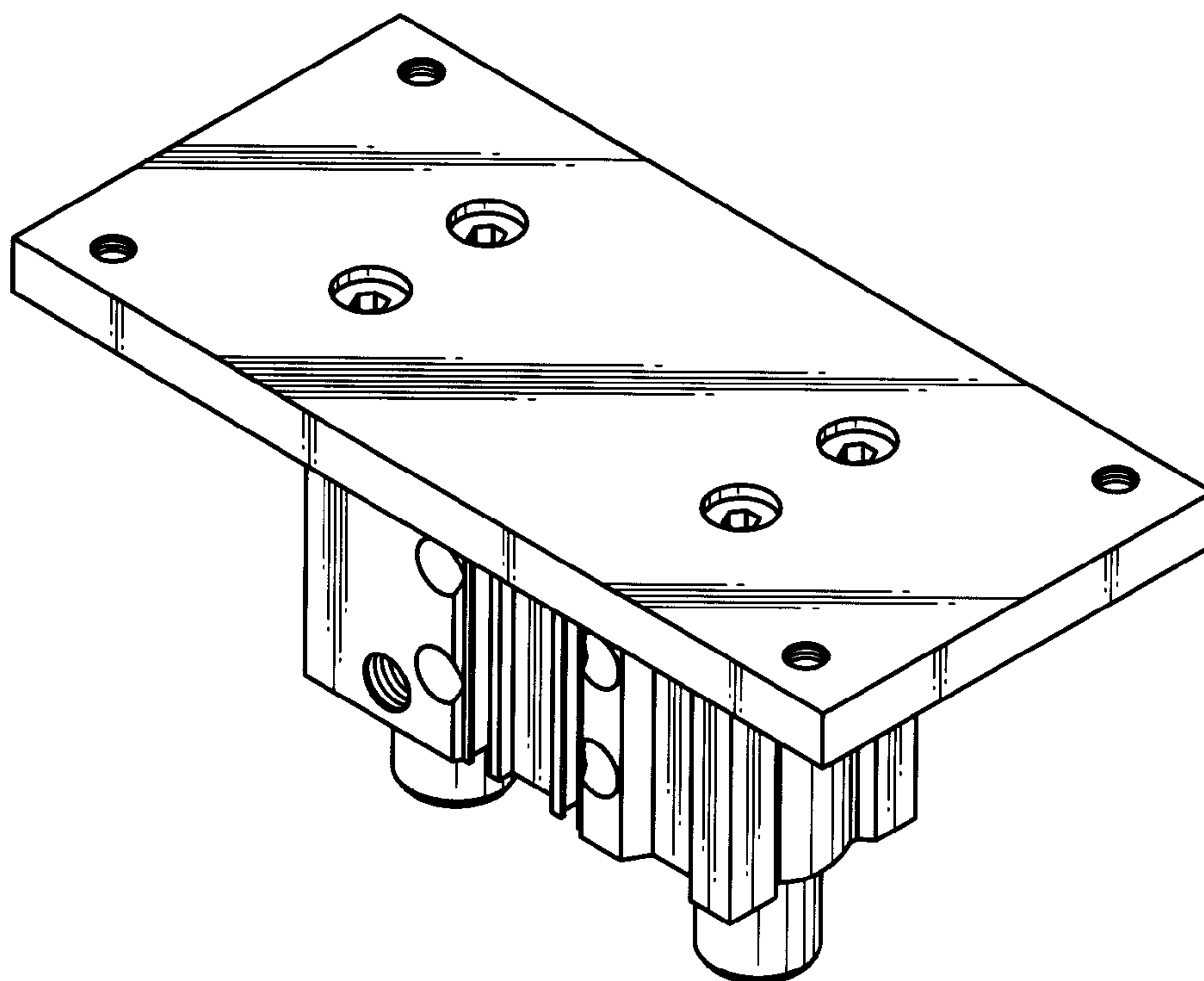


FIG. 1

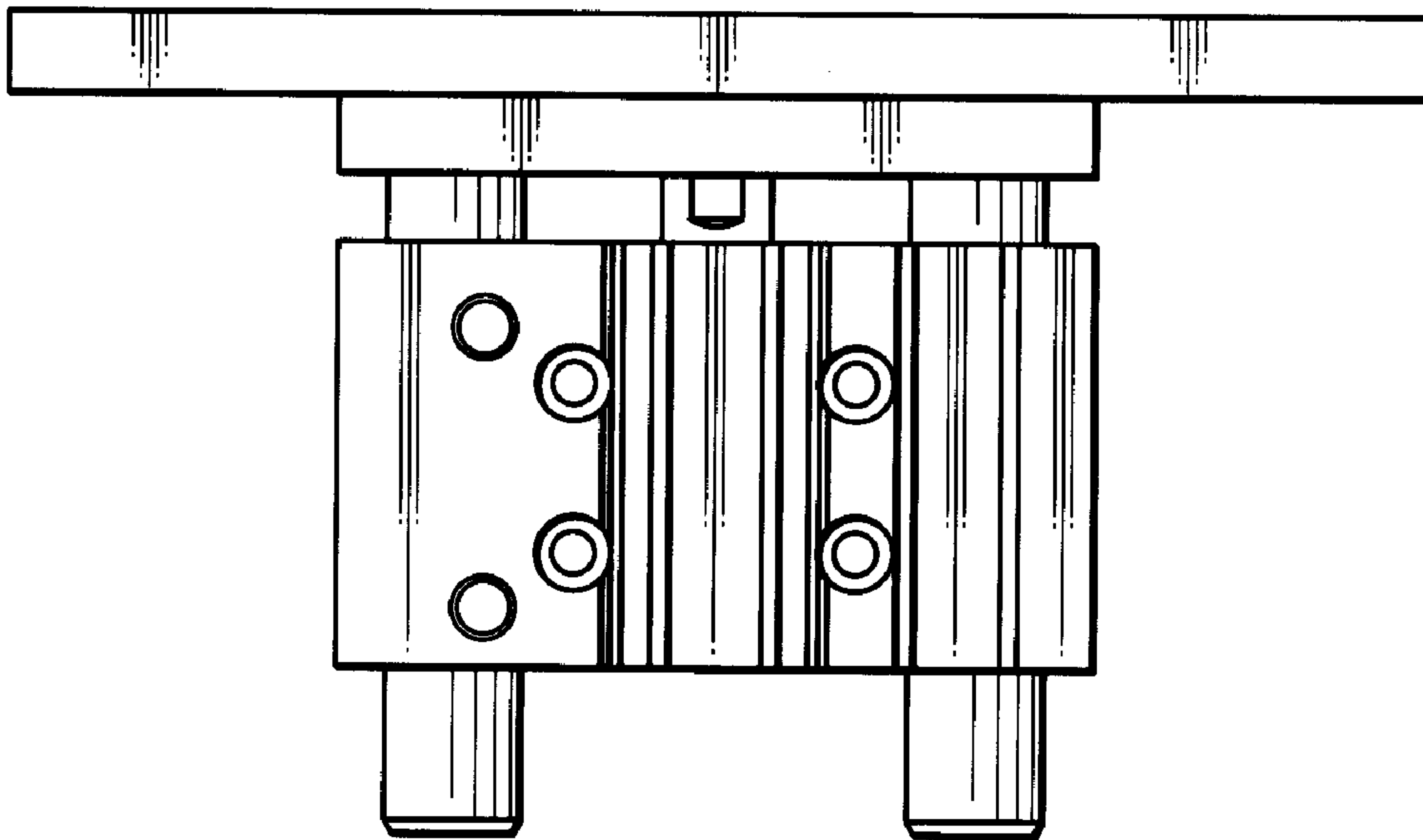


FIG. 2

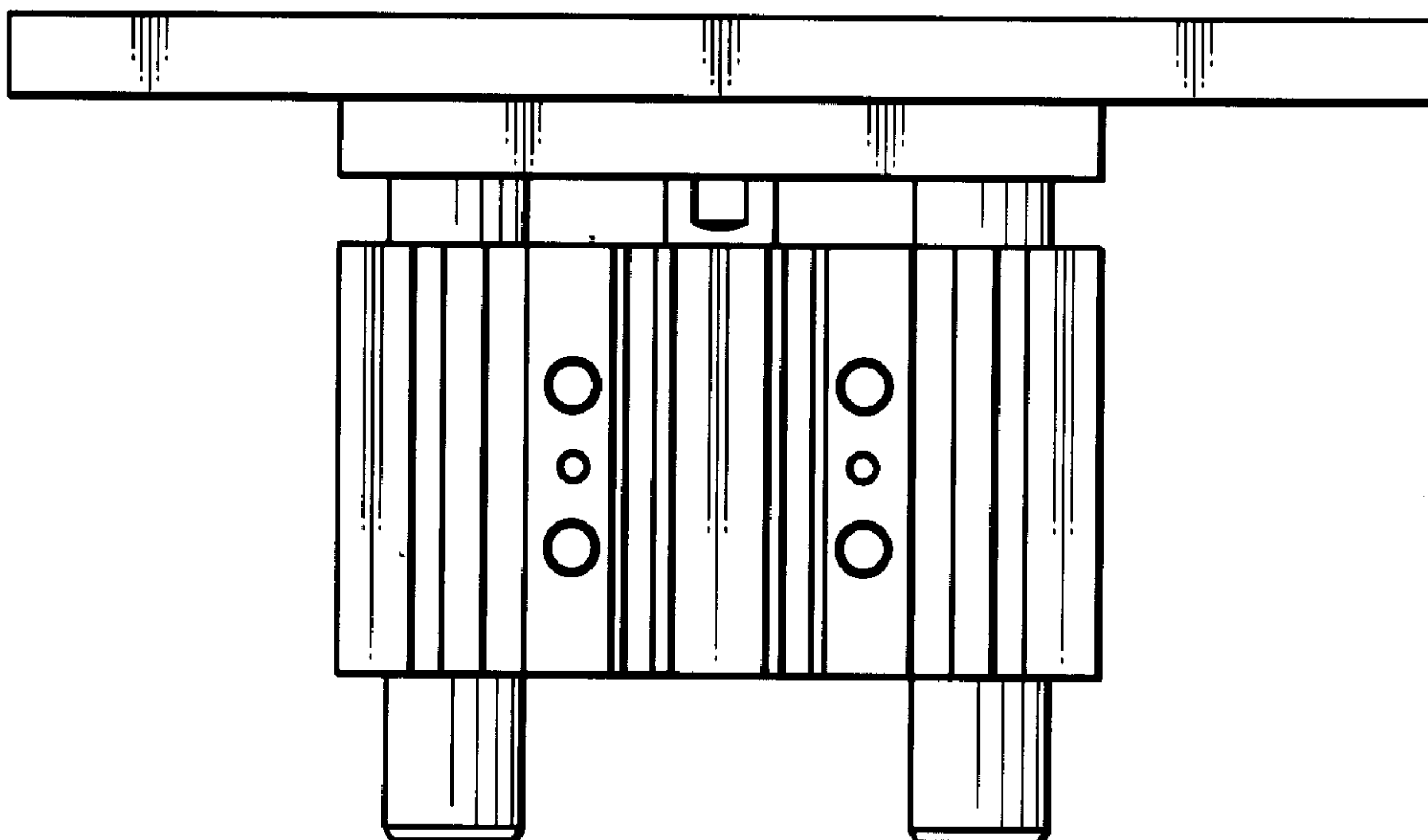


FIG. 3

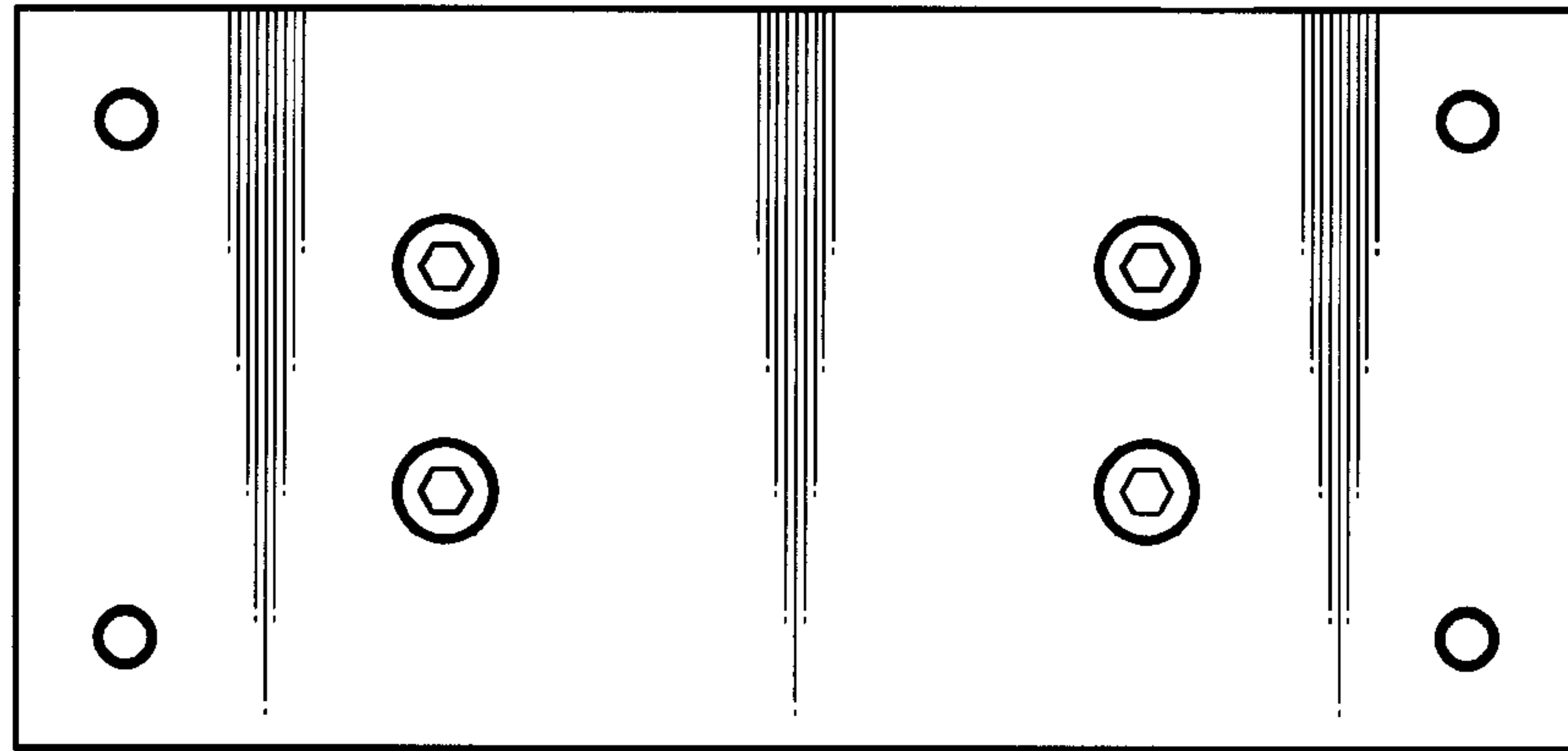


FIG. 4

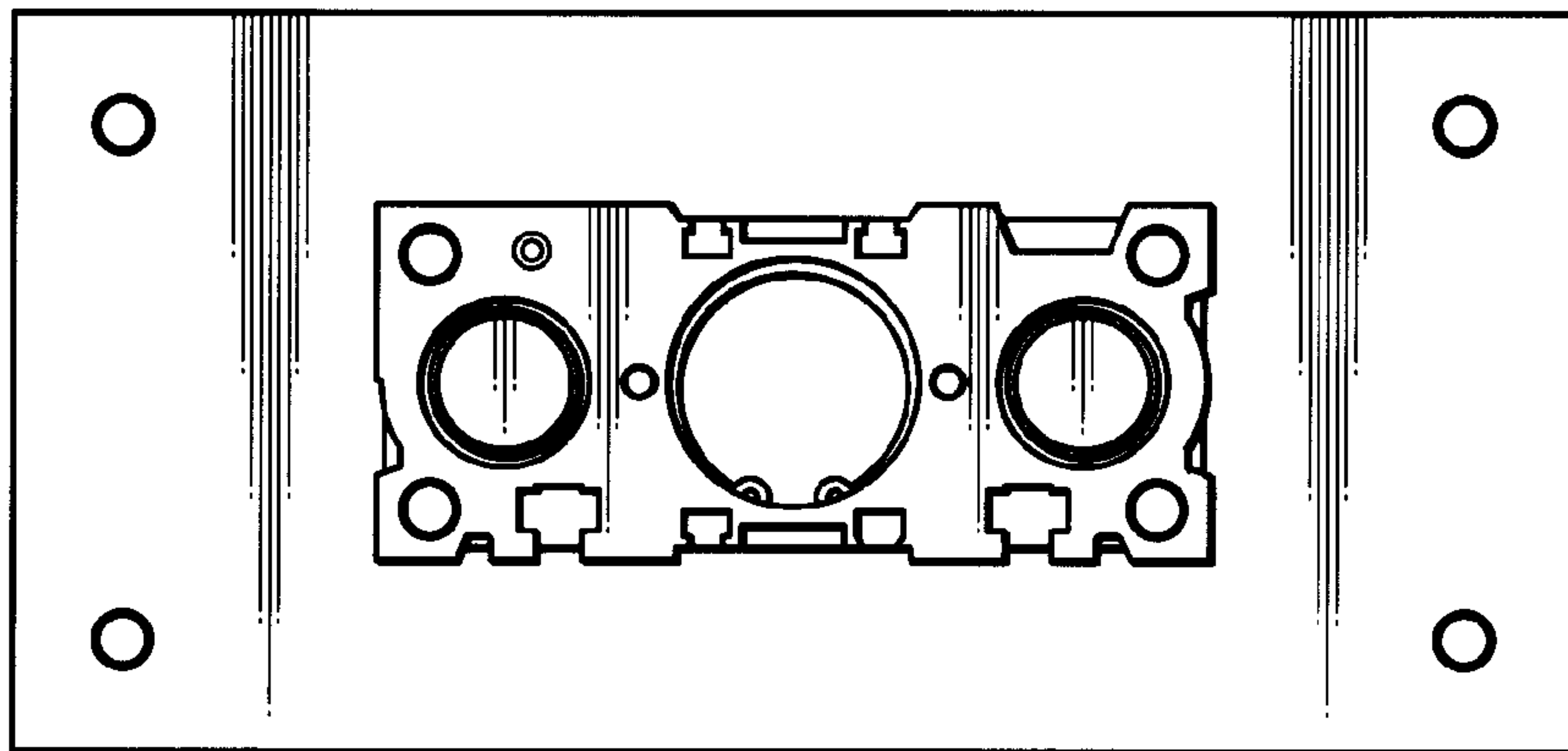


FIG. 5

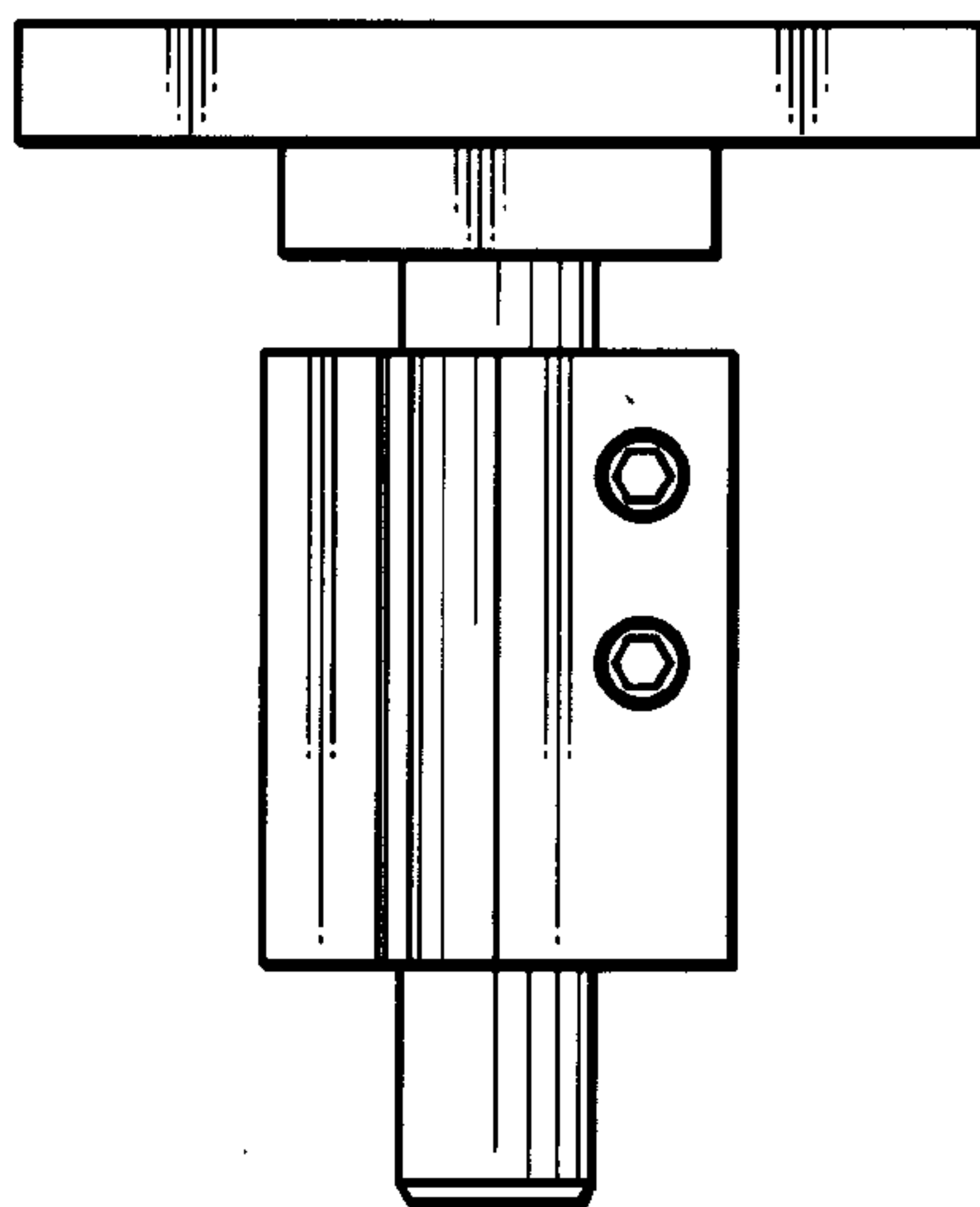


FIG. 6

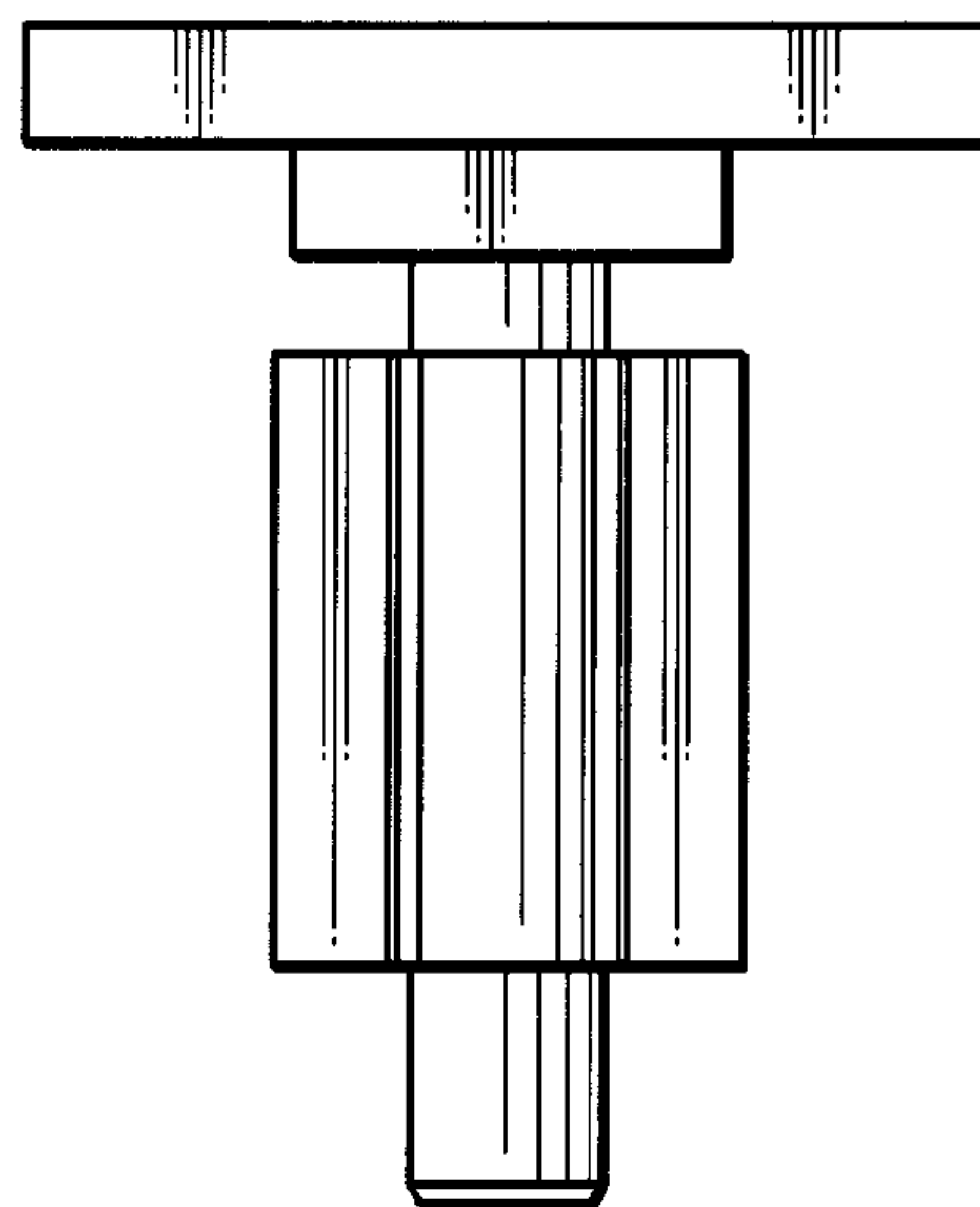


FIG. 7

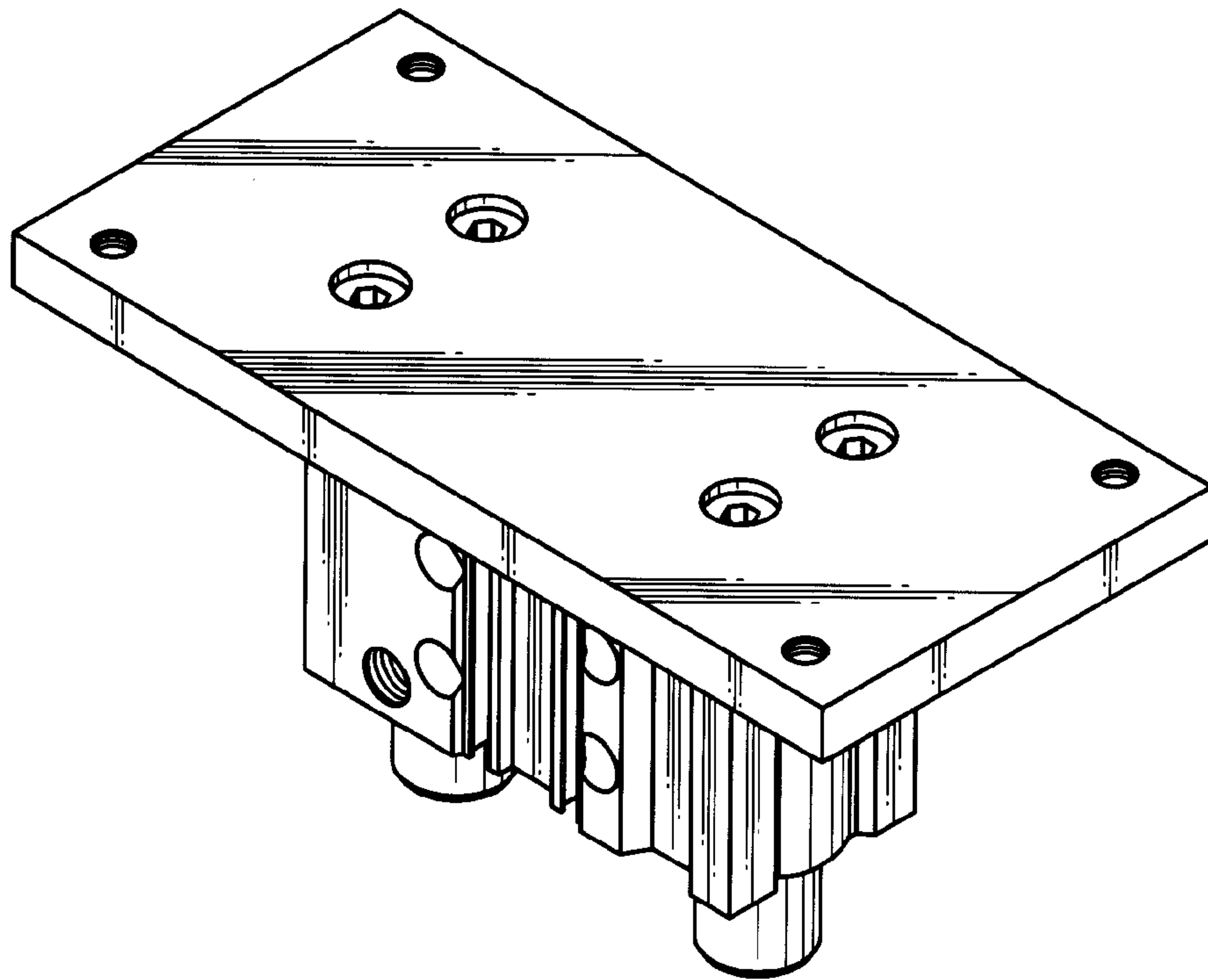


FIG. 8

