



US00D556858S

(12) **United States Design Patent**
Franson et al.

(10) **Patent No.:** **US D556,858 S**

(45) **Date of Patent:** **** Dec. 4, 2007**

(54) **SPRINKLER BODY**

(75) Inventors: **Scott T. Franson**, Hastings, MI (US);
Thomas E. Winebrenner, Hastings, MI
(US); **Shawn G. Orr**, Grand Rapids,
MI (US)

(73) Assignee: **The Viking Corporation**, Hastings, MI
(US)

(**) Term: **14 Years**

(21) Appl. No.: **29/280,650**

(22) Filed: **Jun. 4, 2007**

Related U.S. Application Data

(62) Division of application No. 29/257,186, filed on Mar.
30, 2006, now Pat. No. Des. 551,320.

(51) **LOC (8) Cl.** **23-01**

(52) **U.S. Cl.** **D23/214**

(58) **Field of Classification Search** D23/213,
D23/214; 239/502; 169/37, 38
See application file for complete search history.

(56) **References Cited**

U.S. PATENT DOCUMENTS

990,780 A 4/1911 Rockwood

1,273,818 A * 7/1918 Buffum 169/39
3,599,723 A * 8/1971 Vorkapich 169/39
D253,364 S * 11/1979 McFadden D23/214
D287,992 S * 1/1987 McLennan et al. D23/214
D303,138 S * 8/1989 Smith D23/214
D516,669 S * 3/2006 Antonucci et al. D23/214

* cited by examiner

Primary Examiner—Robin V. Webster

(74) *Attorney, Agent, or Firm*—Harness, Dickey & Pierce,
P.L.C.

(57) **CLAIM**

The ornamental design for a sprinkler body, as shown and
described.

DESCRIPTION

FIG. 1 is a perspective view of a portion of a sprinkler body;

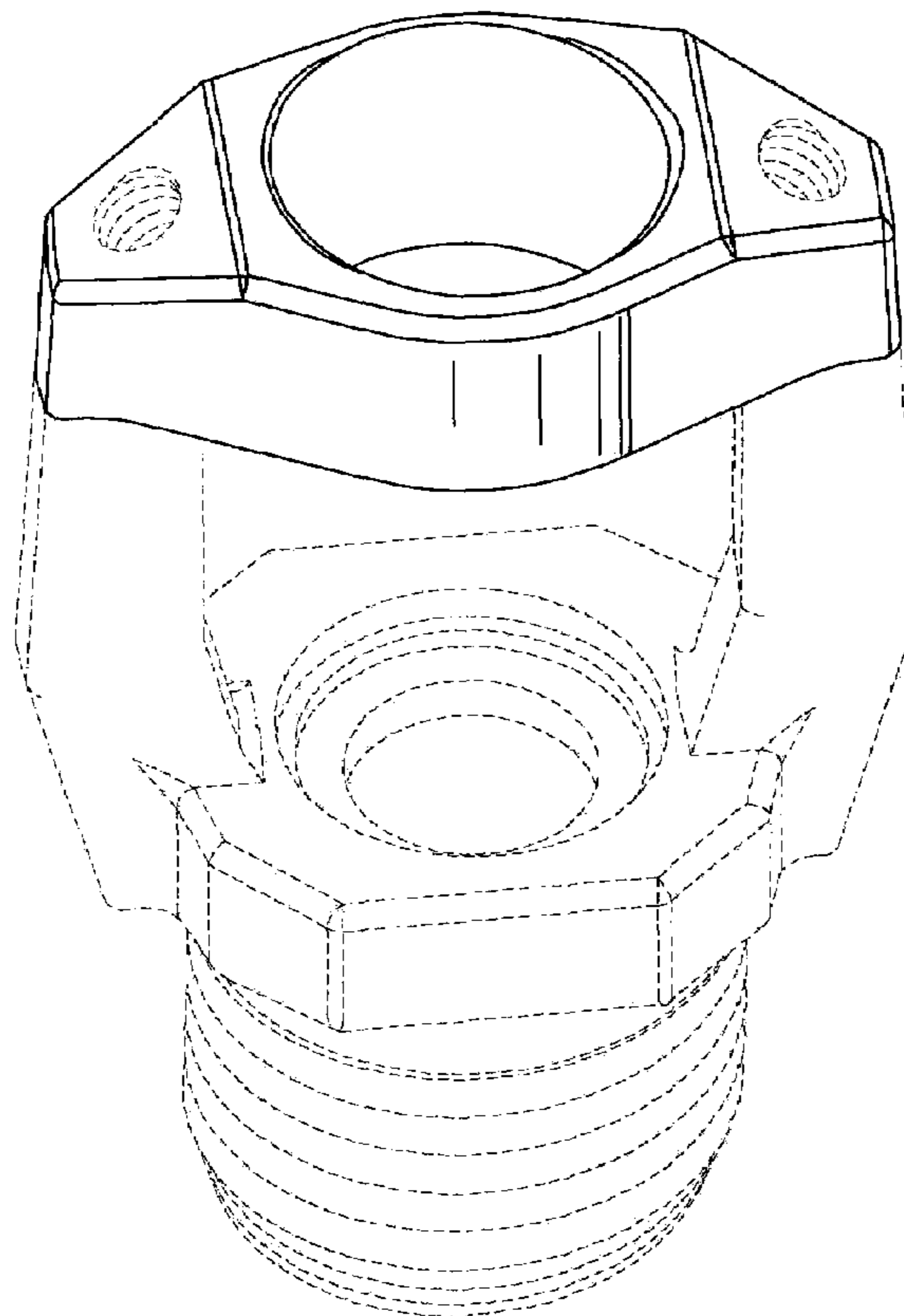
FIG. 2 is a top plan view thereof;

FIG. 3 is a front view thereof (the back view being identical
to the front view); and,

FIG. 4 is a right side view thereof (the left side view being
identical to the right side).

The lines shown in phantom are for illustrative purposes
only and do not form part of the invention.

1 Claim, 4 Drawing Sheets



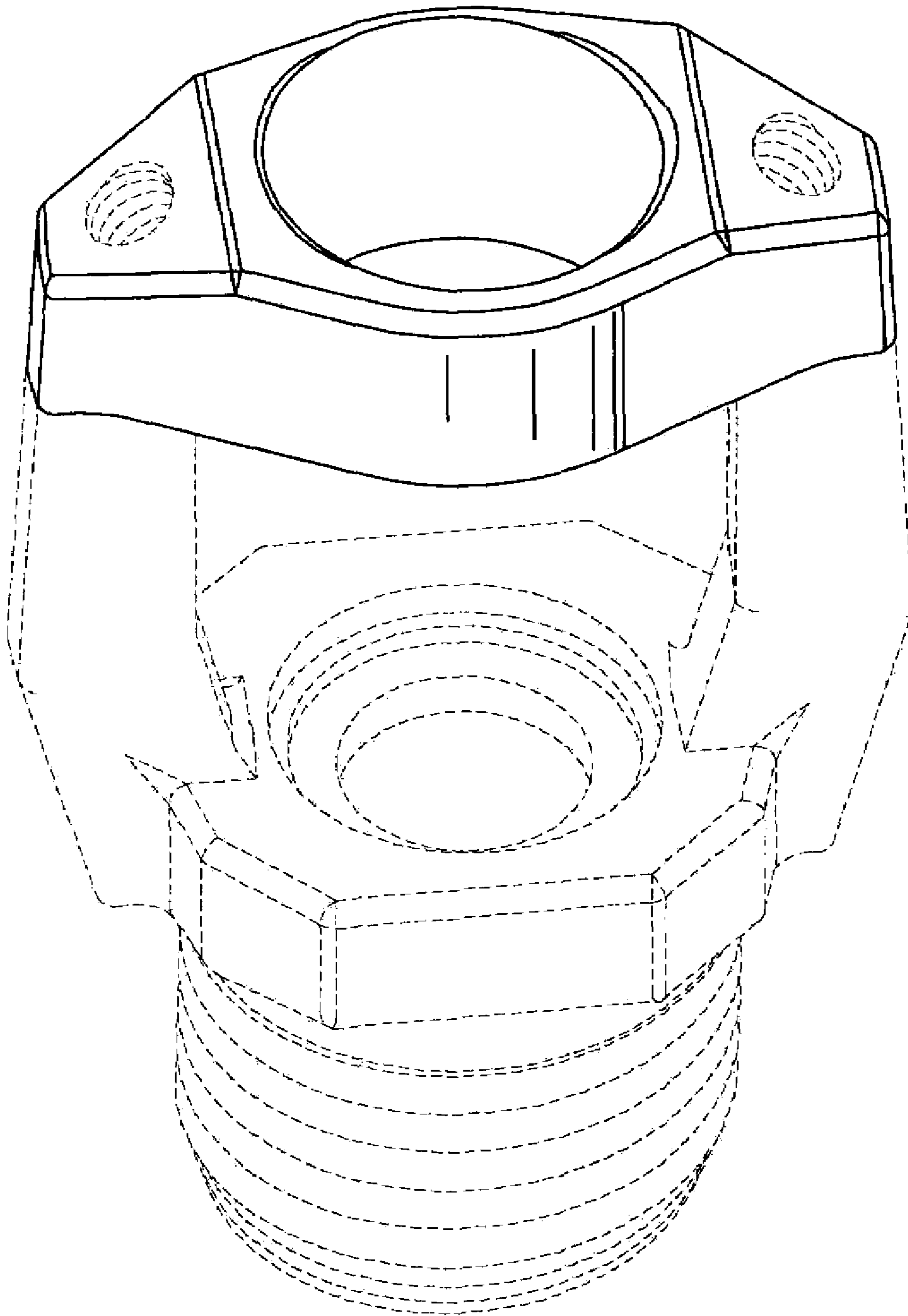


FIG. 1

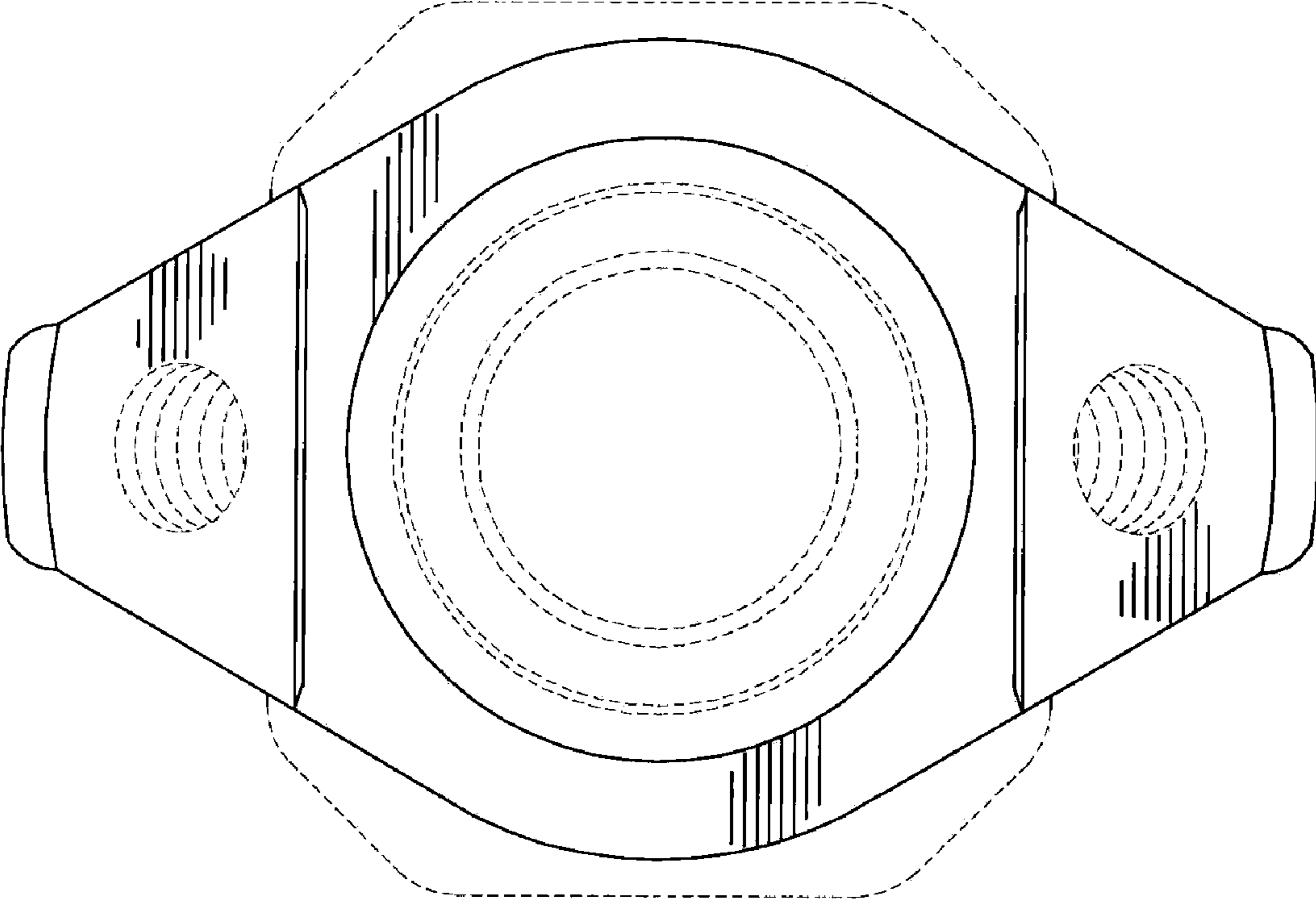


FIG. 2

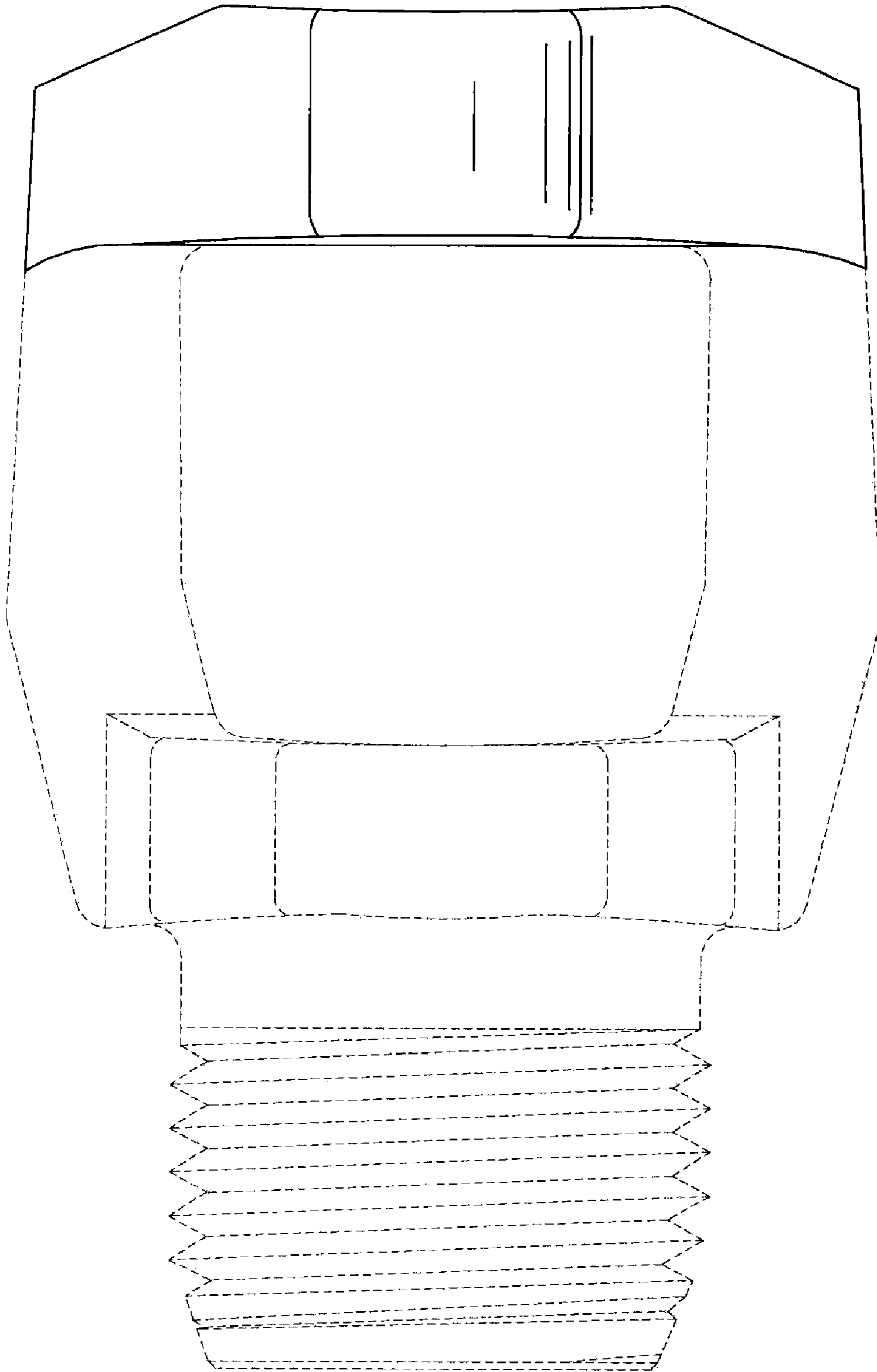


FIG. 3

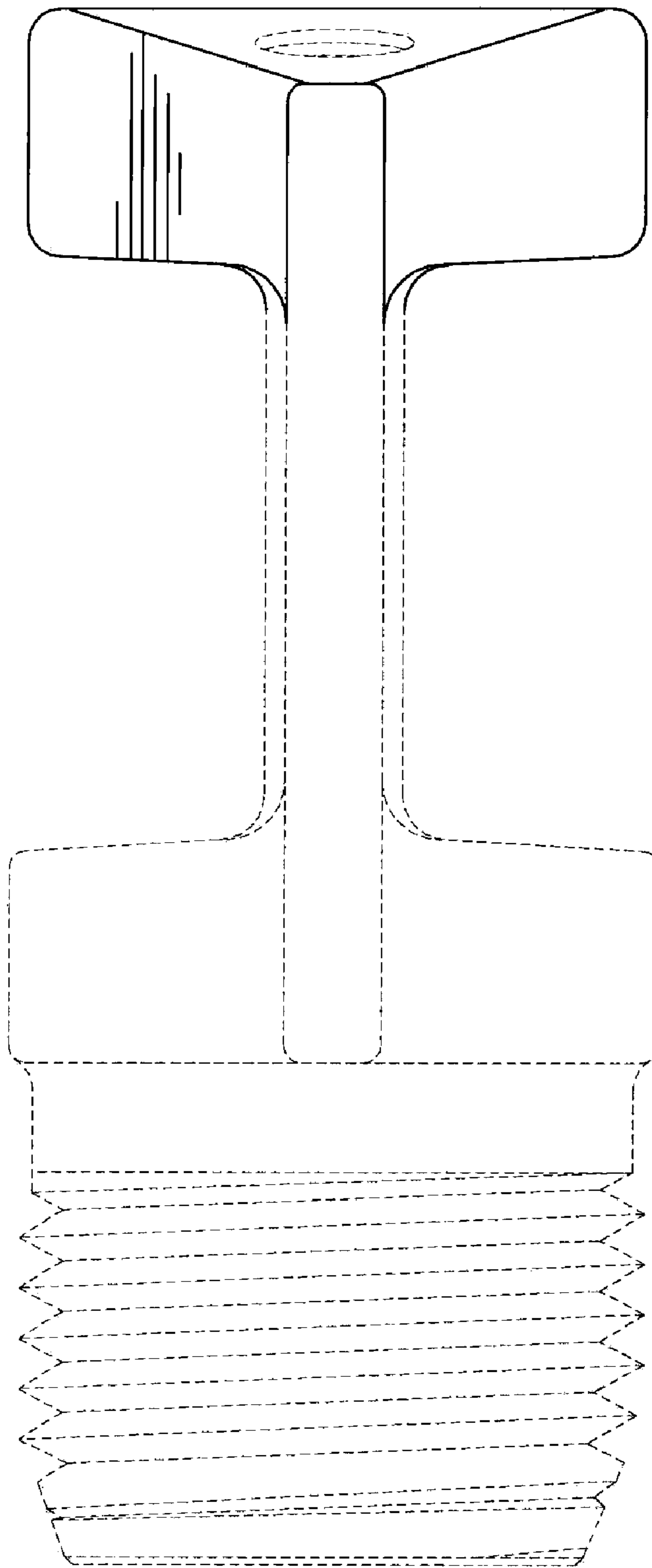


FIG. 4