



US00D556857S

(12) **United States Design Patent**  
**Franson et al.**

(10) **Patent No.:** **US D556,857 S**  
(45) **Date of Patent:** **\*\* Dec. 4, 2007**

(54) **SPRINKLER BODY**

(75) Inventors: **Scott T. Franson**, Hastings, MI (US);  
**Thomas E. Winebrenner**, Hastings, MI  
(US); **Shawn G. Orr**, Grand Rapids,  
MI (US)

(73) Assignee: **The Viking Corporation**, Hastings, MI  
(US)

(\*\*) Term: **14 Years**

(21) Appl. No.: **29/280,632**

(22) Filed: **Jun. 4, 2007**

**Related U.S. Application Data**

(62) Division of application No. 29/257,181, filed on Mar.  
30, 2006, now Pat. No. Des. 550,808.

(51) **LOC (8) Cl.** ..... **23-01**

(52) **U.S. Cl.** ..... **D23/214**

(58) **Field of Classification Search** ..... D23/213,  
D23/214; 239/502; 169/37, 38  
See application file for complete search history.

(56) **References Cited**

**U.S. PATENT DOCUMENTS**

990,780 A 4/1911 Rockwood

1,273,818 A \* 7/1918 Buffum ..... 169/39  
3,599,723 A \* 8/1971 Vorkapich ..... 169/39  
D253,364 S \* 11/1979 McFadden ..... D23/214  
D287,992 S \* 1/1987 McLennan et al. .... D23/214  
D303,138 S \* 8/1989 Smith ..... D23/214  
D516,669 S \* 3/2006 Antonucci et al. .... D23/214

\* cited by examiner

*Primary Examiner*—Robin V. Webster  
(74) *Attorney, Agent, or Firm*—Harness, Dickey & Pierce,  
P.L.C.

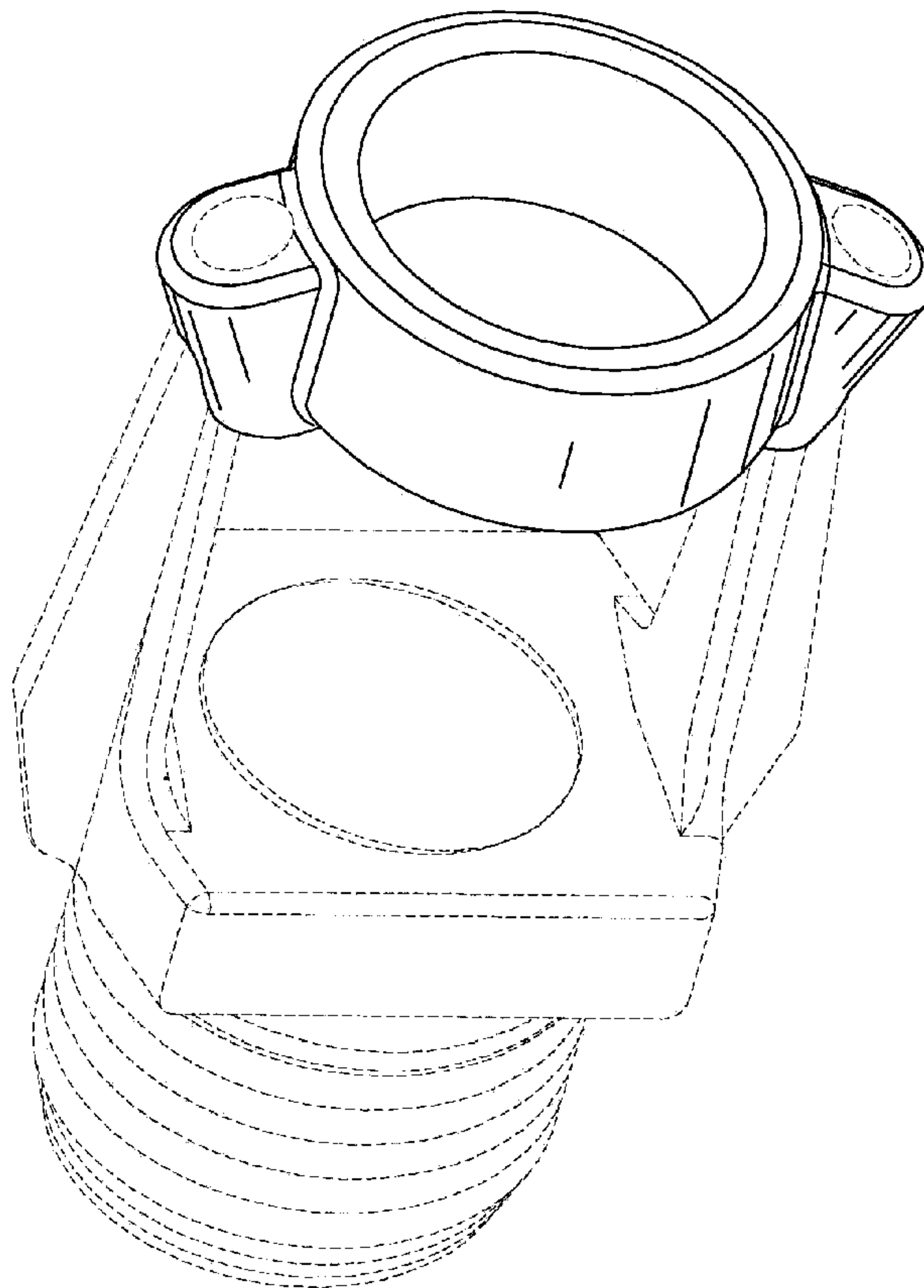
(57) **CLAIM**

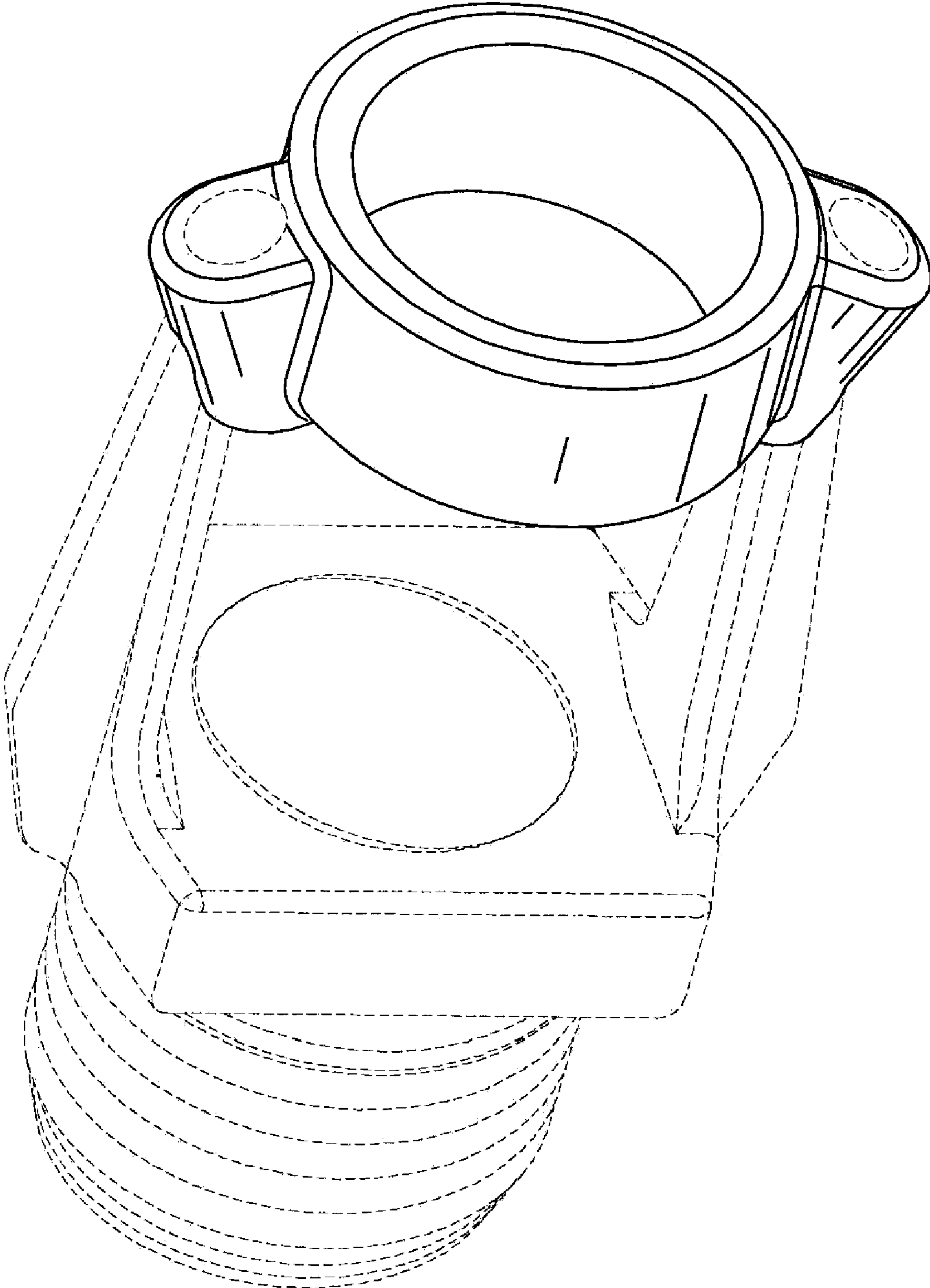
The ornamental design for a sprinkler body, as shown and  
described.

**DESCRIPTION**

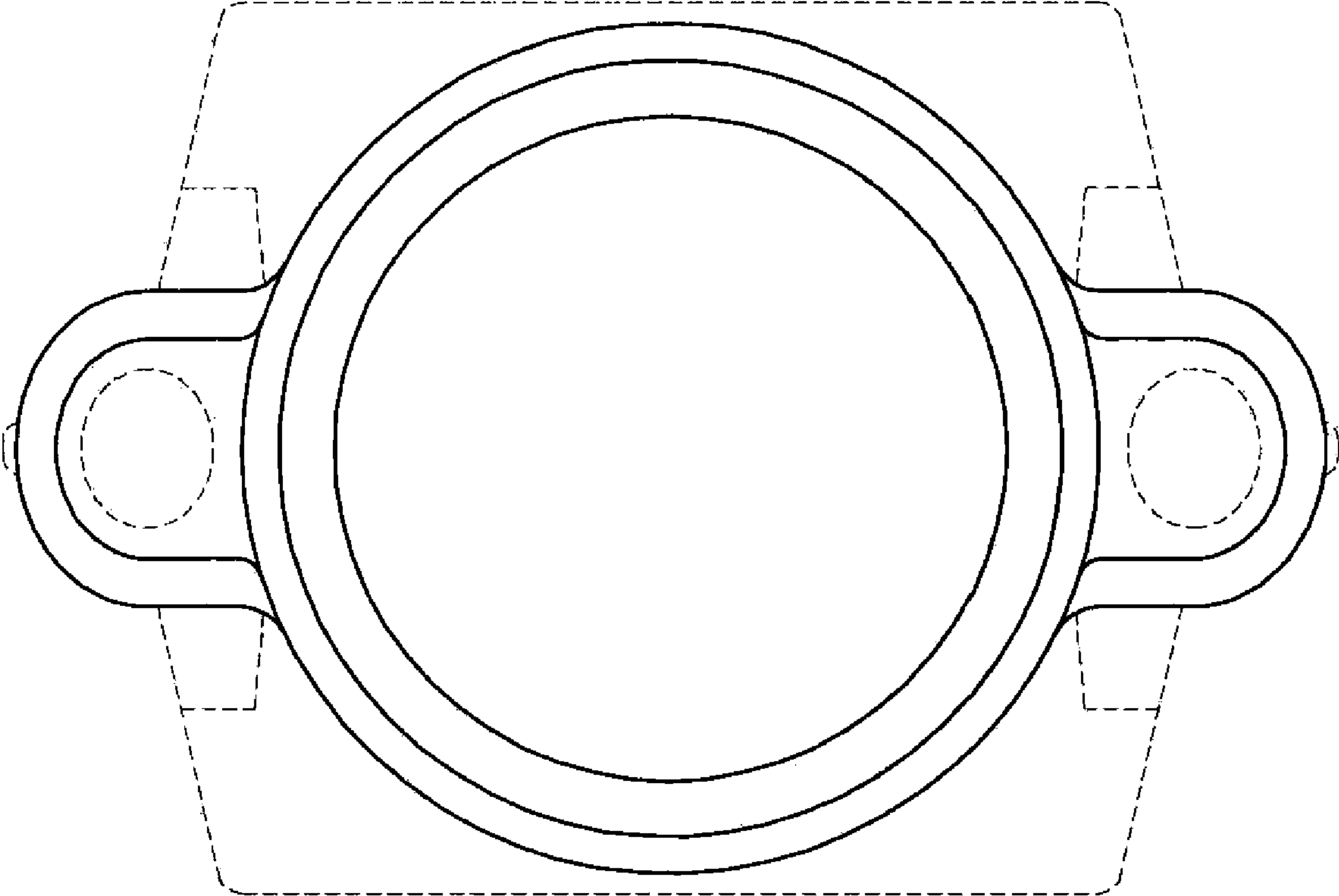
FIG. 1 is a perspective view of a portion of a sprinkler body;  
FIG. 2 is a top plan view thereof;  
FIG. 3 is a front view thereof (the back view being identical  
to the front view); and,  
FIG. 4 is a right side view thereof (the left side view being  
identical to the right side).

**1 Claim, 4 Drawing Sheets**

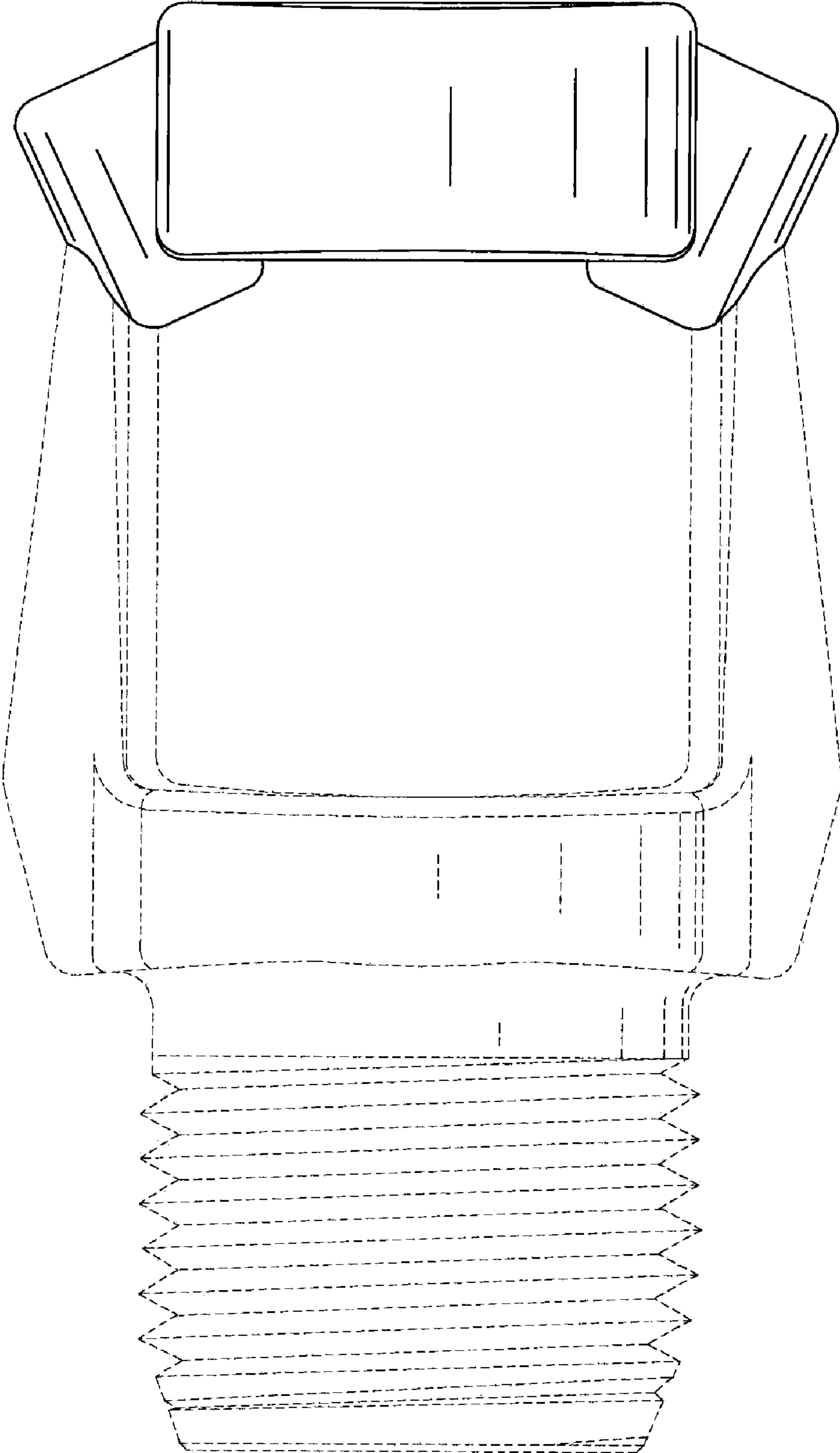




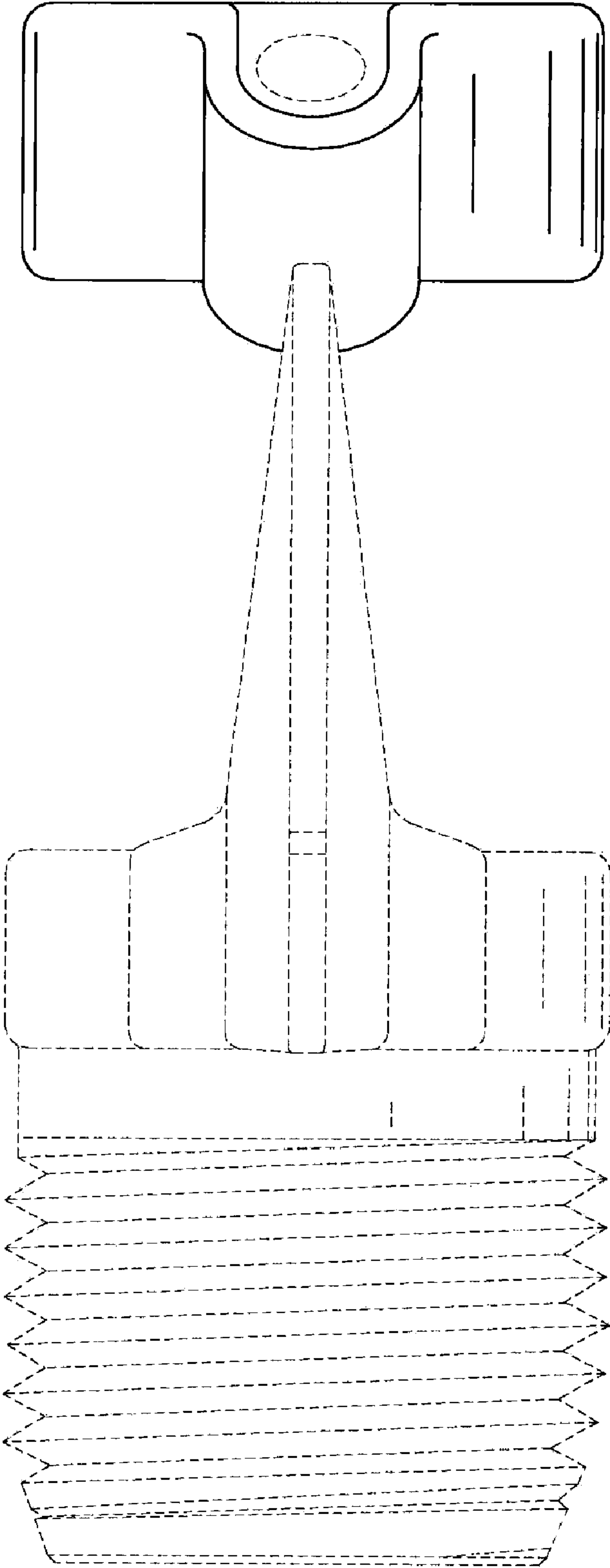
**FIG. 1**



**FIG. 2**



**FIG. 3**



**FIG. 4**