



US00D556856S

(12) **United States Design Patent**
Büttgen

(10) **Patent No.:** **US D556,856 S**
(45) **Date of Patent:** **** Dec. 4, 2007**

(54) **FAUCET FITTING**

(75) Inventor: **Heinz Büttgen**, Bad Krozingen (DE)

(73) Assignee: **Neoperl GmbH**, Mullheim (DE)

(**) Term: **14 Years**

(21) Appl. No.: **29/270,823**

(22) Filed: **Jan. 4, 2007**

Related U.S. Application Data

(62) Division of application No. 29/235,334, filed on Jul. 29, 2005, now Pat. No. Des. 541,375.

Foreign Application Priority Data

Mar. 21, 2005 (EP) 000314208

(51) **LOC (8) Cl.** **23-01**

(52) **U.S. Cl.** **D23/213; D23/249**

(58) **Field of Classification Search** D23/213,
D23/249, 238, 255; 239/428.5; 261/DIG. 22
See application file for complete search history.

(56) **References Cited**

U.S. PATENT DOCUMENTS

2,849,217 A * 8/1958 Bachli et al. 261/76
3,364,648 A * 1/1968 Lemelson 53/410

3,796,377 A * 3/1974 O'Hare 239/428.5
4,214,702 A * 7/1980 Shames et al. 239/110
4,221,338 A * 9/1980 Shames et al. 239/428.5
4,470,546 A * 9/1984 Wildfang 239/428.5
5,769,326 A * 6/1998 Muchenberger et al. . 239/428.5
D516,182 S * 2/2006 Buttgen D23/249
D529,588 S * 10/2006 Grether D23/249
D536,069 S * 1/2007 Grether D23/249
D537,148 S * 2/2007 Grether D23/249

* cited by examiner

Primary Examiner—Lou Zarfaz

Assistant Examiner—Gregory Andoll

(74) *Attorney, Agent, or Firm*—Volpe & Koenig PC

(57) **CLAIM**

The ornamental design for faucet fitting, as shown and described.

DESCRIPTION

FIG. 1 is a perspective view of a faucet fitting showing my new design;

FIG. 2 is a perspective view thereof in an extended position;

FIG. 3 is an elevational view of FIG. 1;

FIG. 4 is a bottom plan view thereof; and,

FIG. 5 is an elevational view thereof in an extended position.

1 Claim, 3 Drawing Sheets

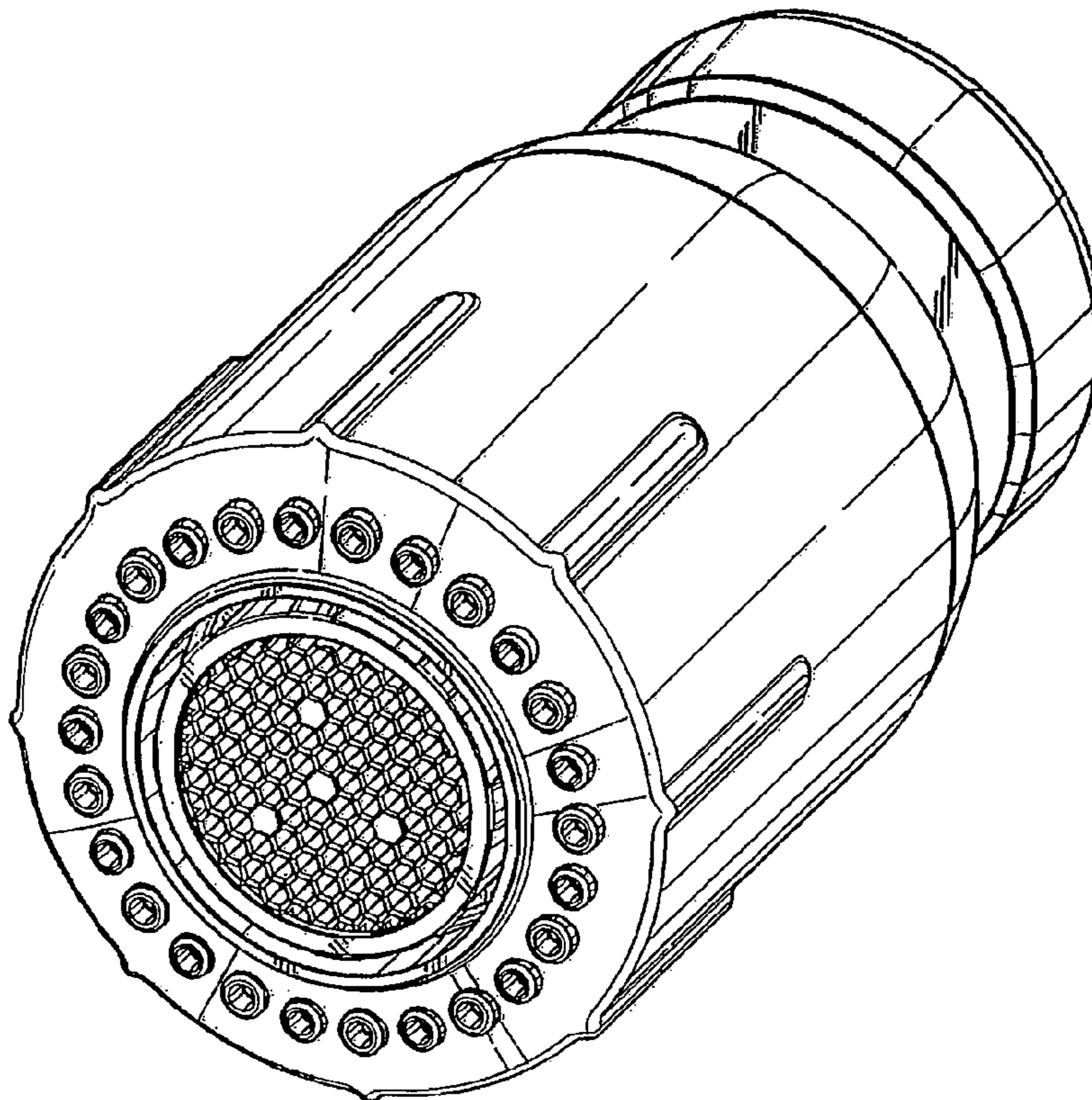


FIG. 1

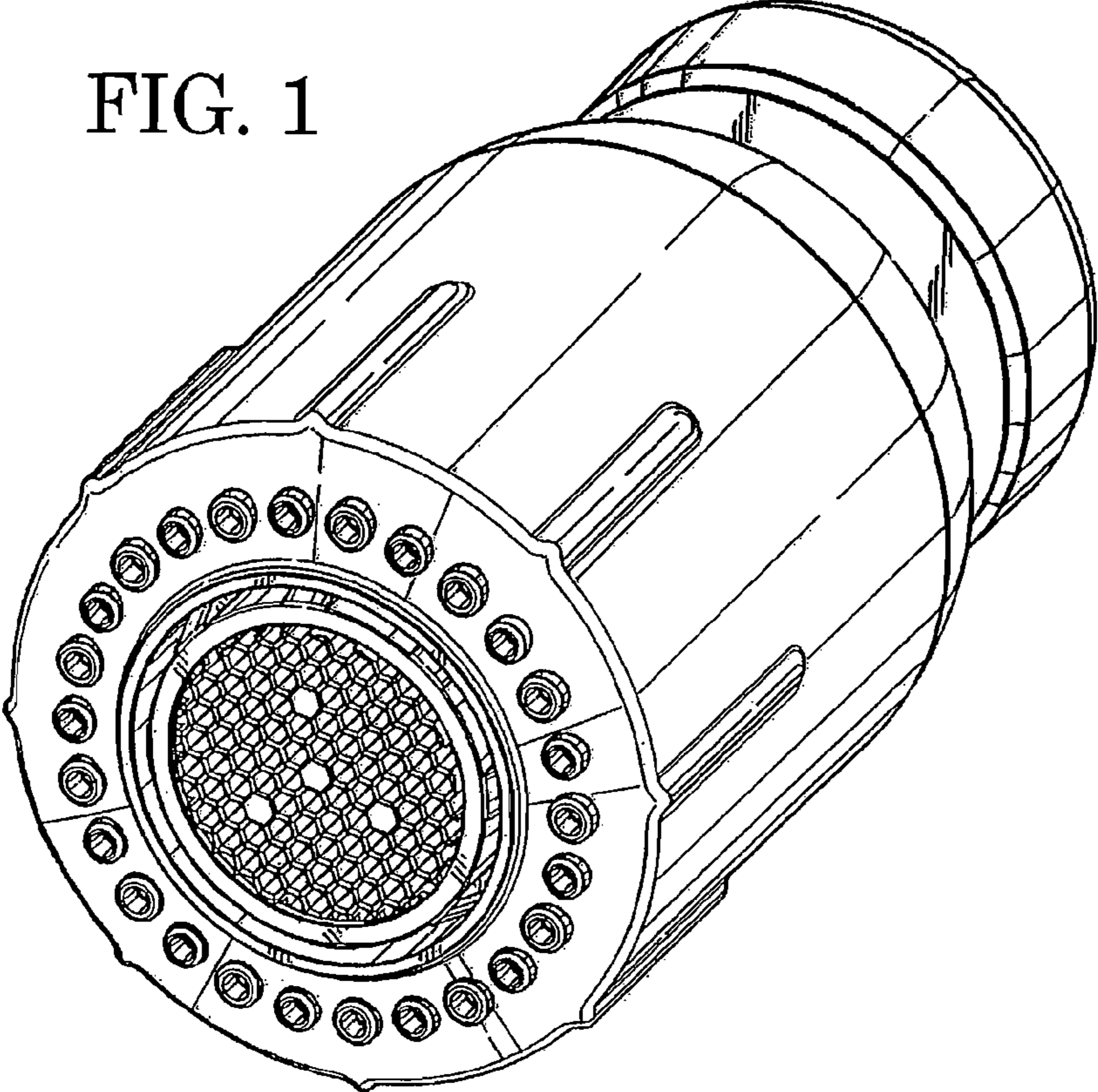


FIG. 2

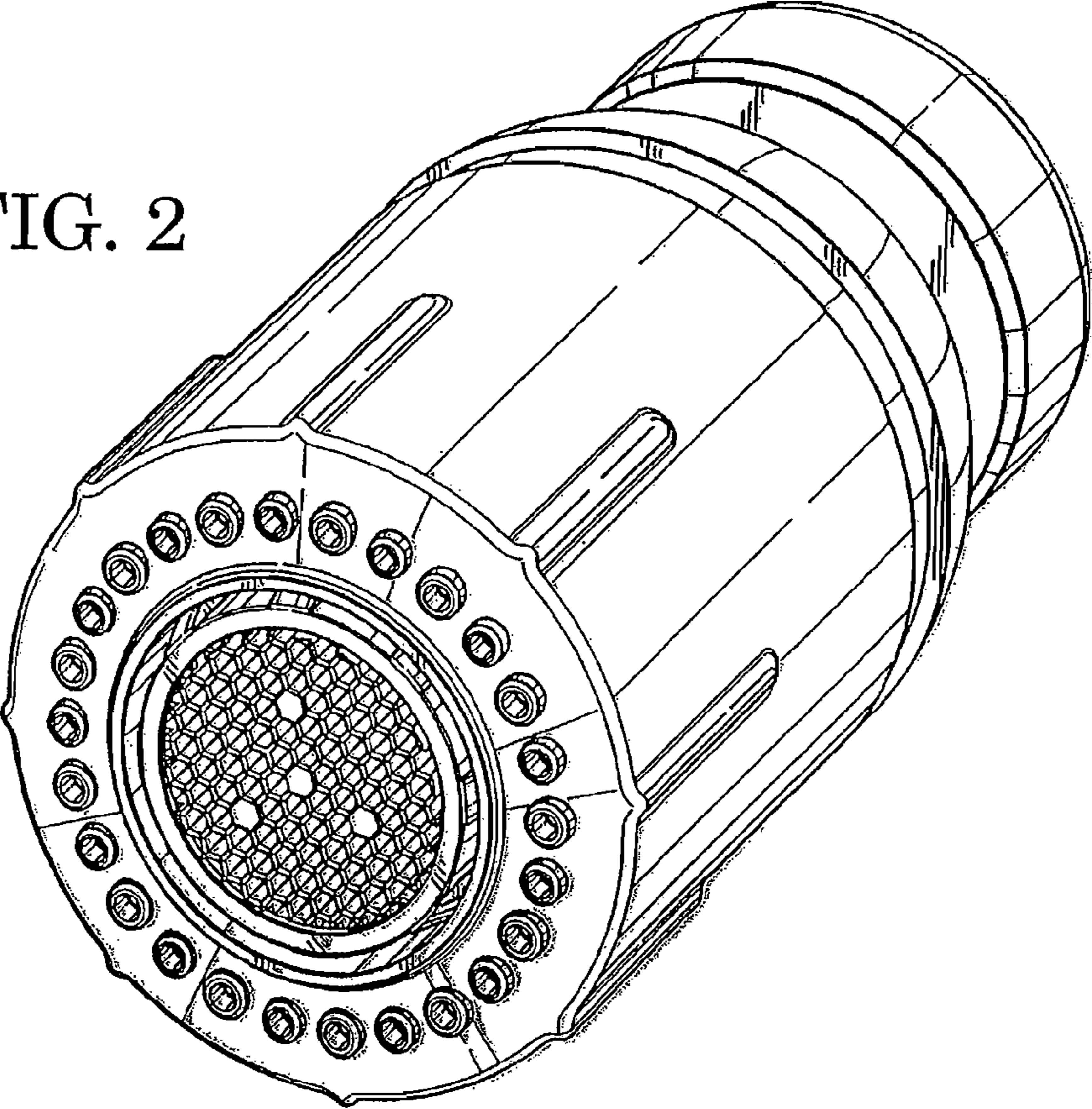


FIG. 3

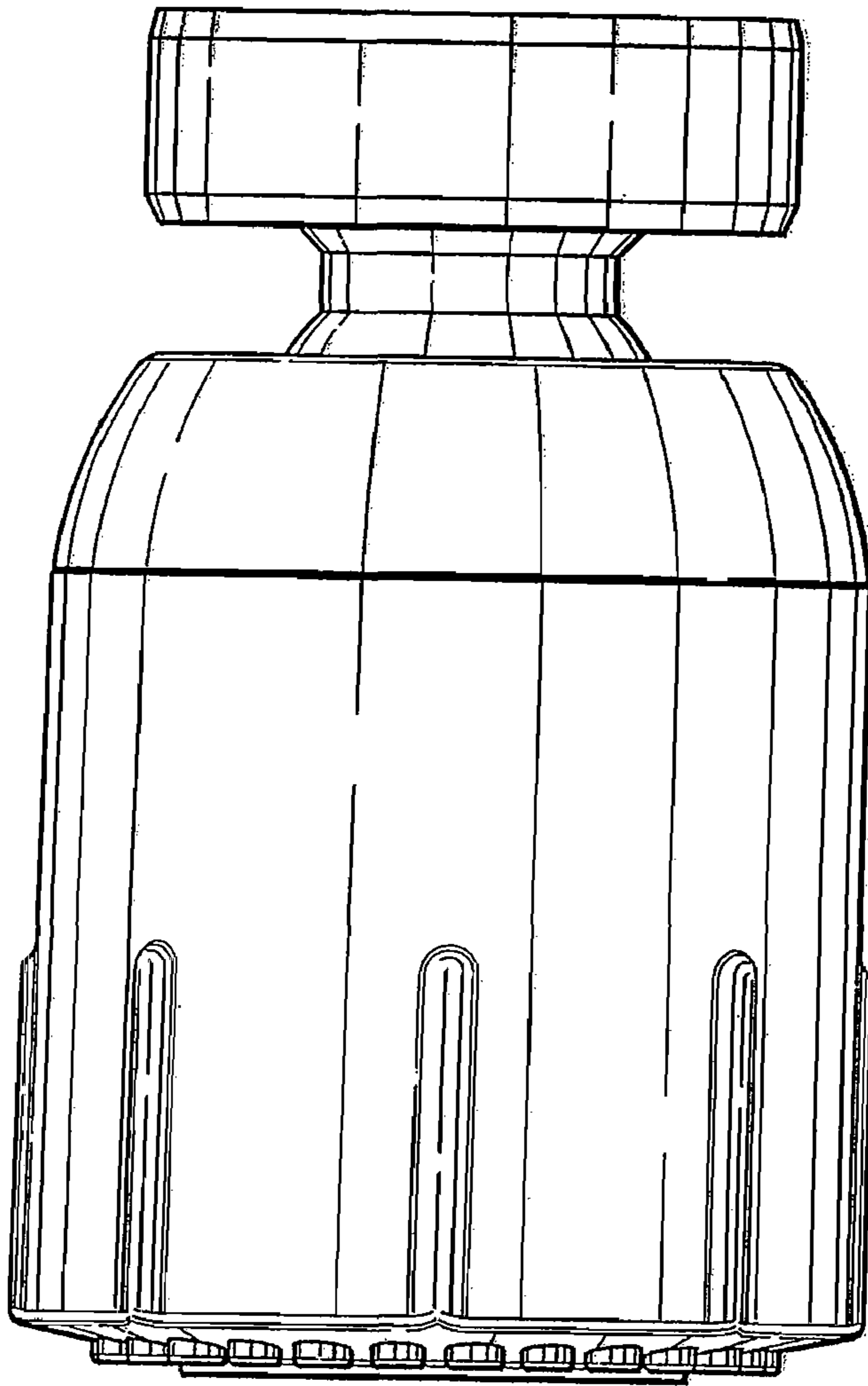


FIG. 4

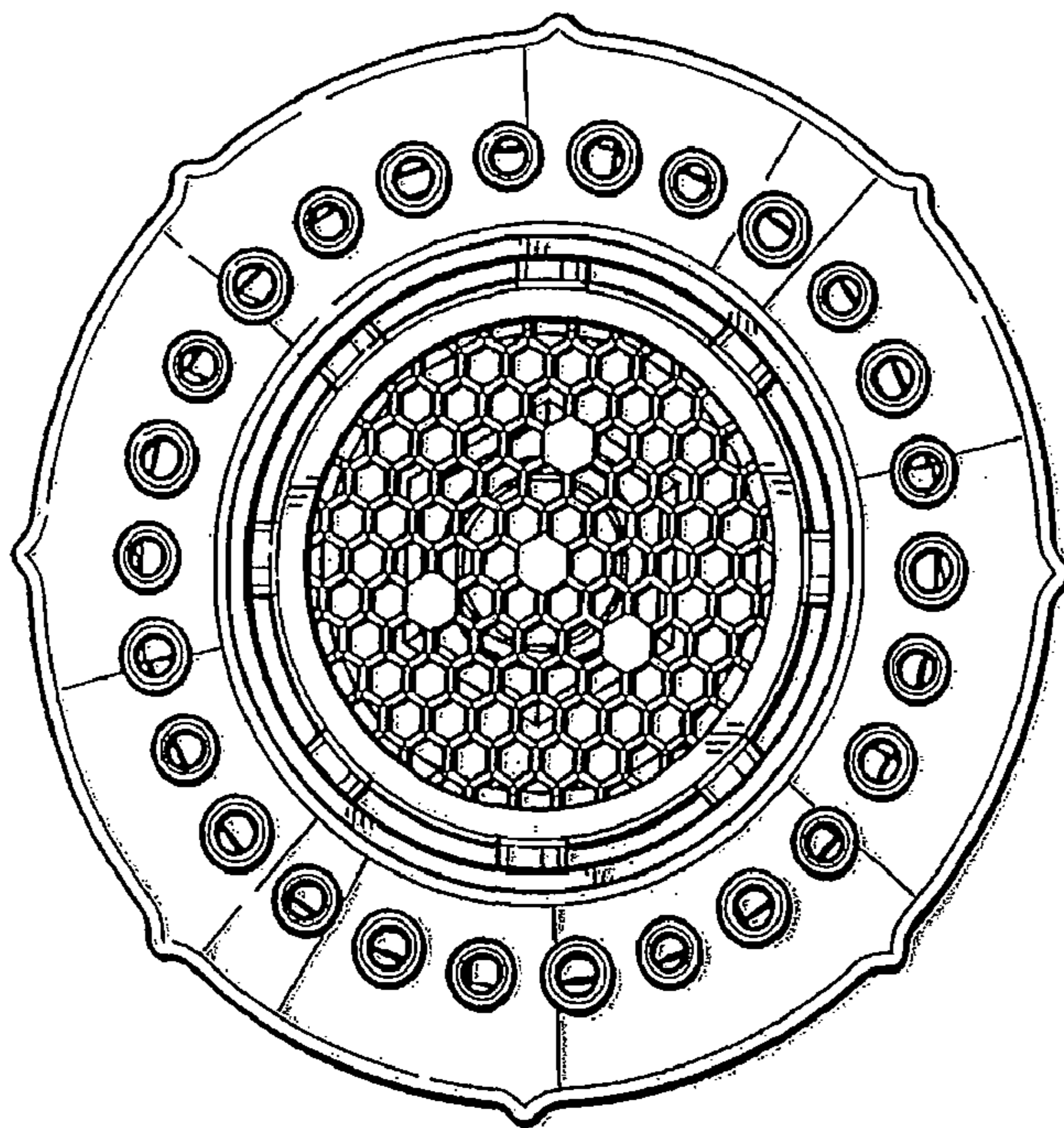


FIG. 5

