



US00D556855S

(12) **United States Design Patent**  
**Müllenmeister et al.**

(10) **Patent No.:** **US D556,855 S**

(45) **Date of Patent:** **\*\* Dec. 4, 2007**

(54) **SHOWER HEAD**

(75) Inventors: **Daniel Müllenmeister**, Havixbeck (DE); **Theo Wolf**, Senden (DE)

(73) Assignee: **Grohe AG**, Hemer (DE)

(\*\*) Term: **14 Years**

(21) Appl. No.: **29/264,756**

(22) Filed: **Aug. 17, 2006**

(30) **Foreign Application Priority Data**

Feb. 27, 2006 (EM) ..... 000485958-0003

(51) **LOC (8) Cl.** ..... **23-01**

(52) **U.S. Cl.** ..... **D23/213**

(58) **Field of Classification Search** ..... D23/213,  
D23/229-230; 239/282-283; 4/605, 615  
See application file for complete search history.

(56) **References Cited**

**U.S. PATENT DOCUMENTS**

D468,800 S \* 1/2003 Tse ..... D23/213

D512,120 S \* 11/2005 Haug et al. .... D23/213  
D514,197 S \* 1/2006 Gilbert ..... D23/229  
D524,406 S \* 7/2006 Hoernig ..... D23/213

\* cited by examiner

*Primary Examiner*—Robin V. Webster

(74) *Attorney, Agent, or Firm*—Andrew Wilford

(57) **CLAIM**

The ornamental design for a shower head, as shown.

**DESCRIPTION**

FIG. 1 is a perspective view from above of the shower head according to the invention;

FIG. 2 is a front elevational view of the shower head;

FIG. 3 is a right-side elevational view of the shower head, it being noted that the shower head looks the same from both sides;

FIG. 4 is a bottom view of the shower head;

FIG. 5 is a top view of the shower head; and,

FIG. 6 is a rear elevational view of the shower head.

**1 Claim, 3 Drawing Sheets**

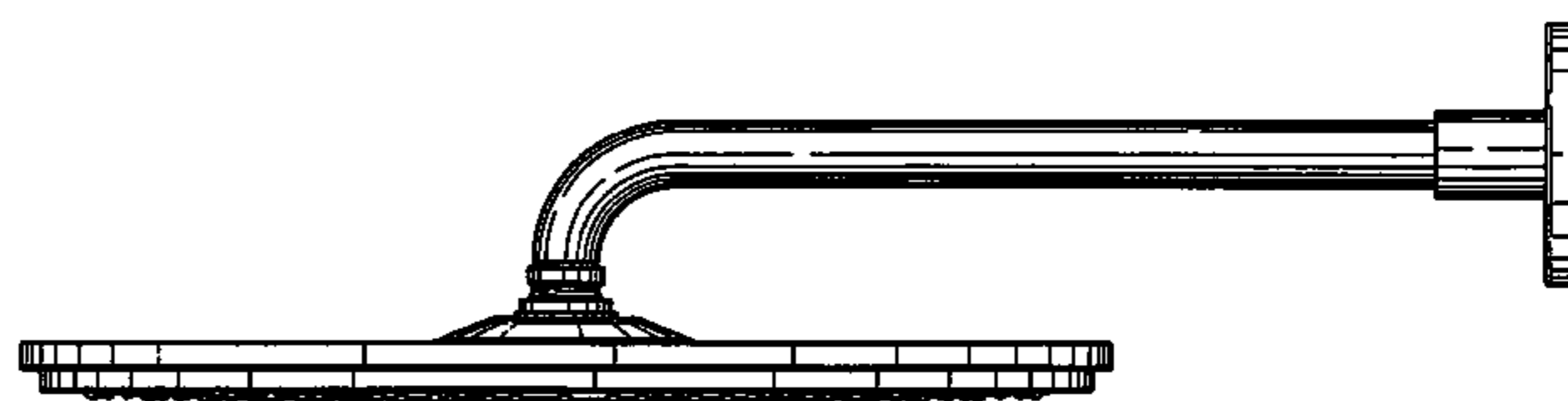
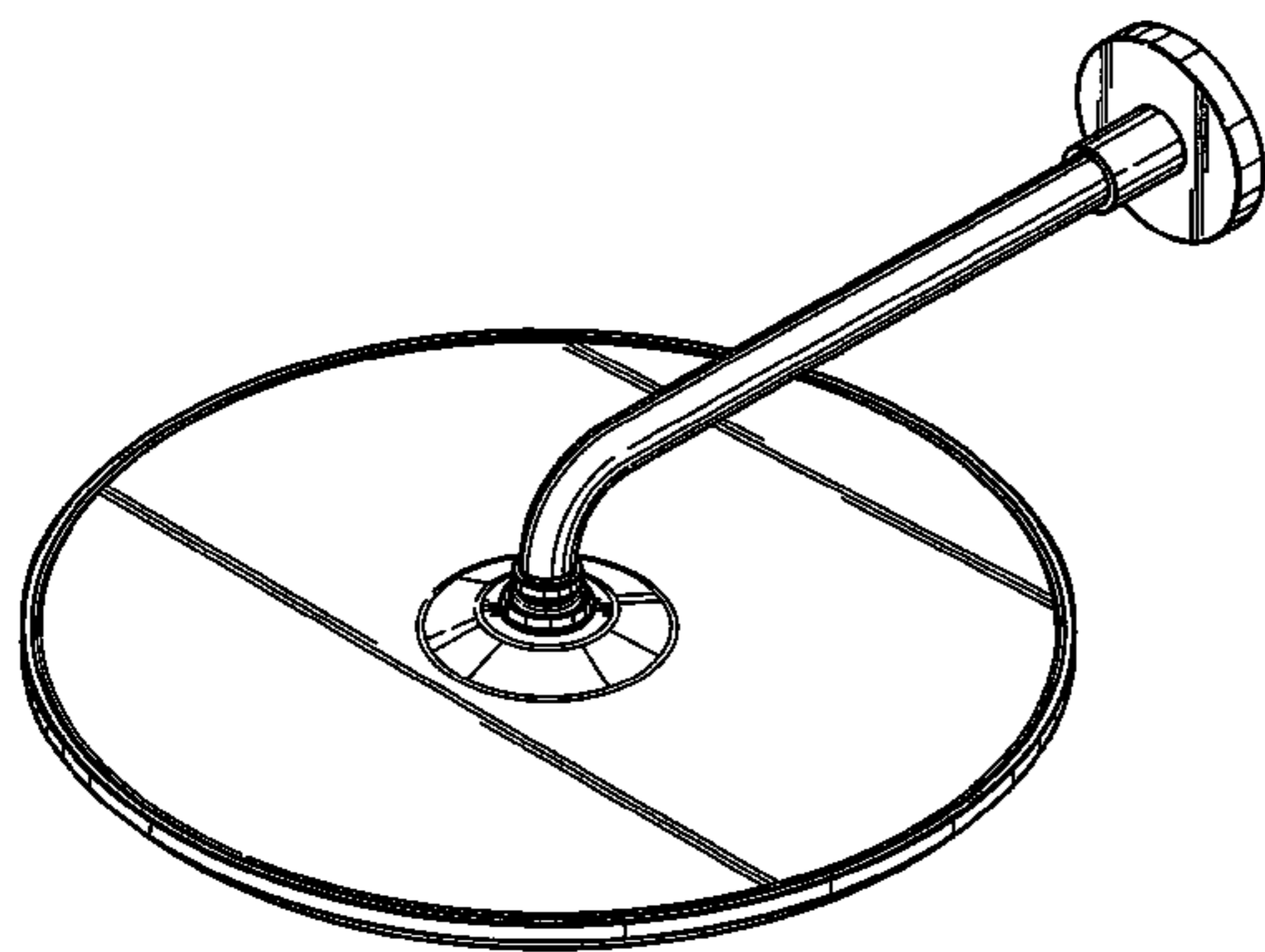


FIG. 1

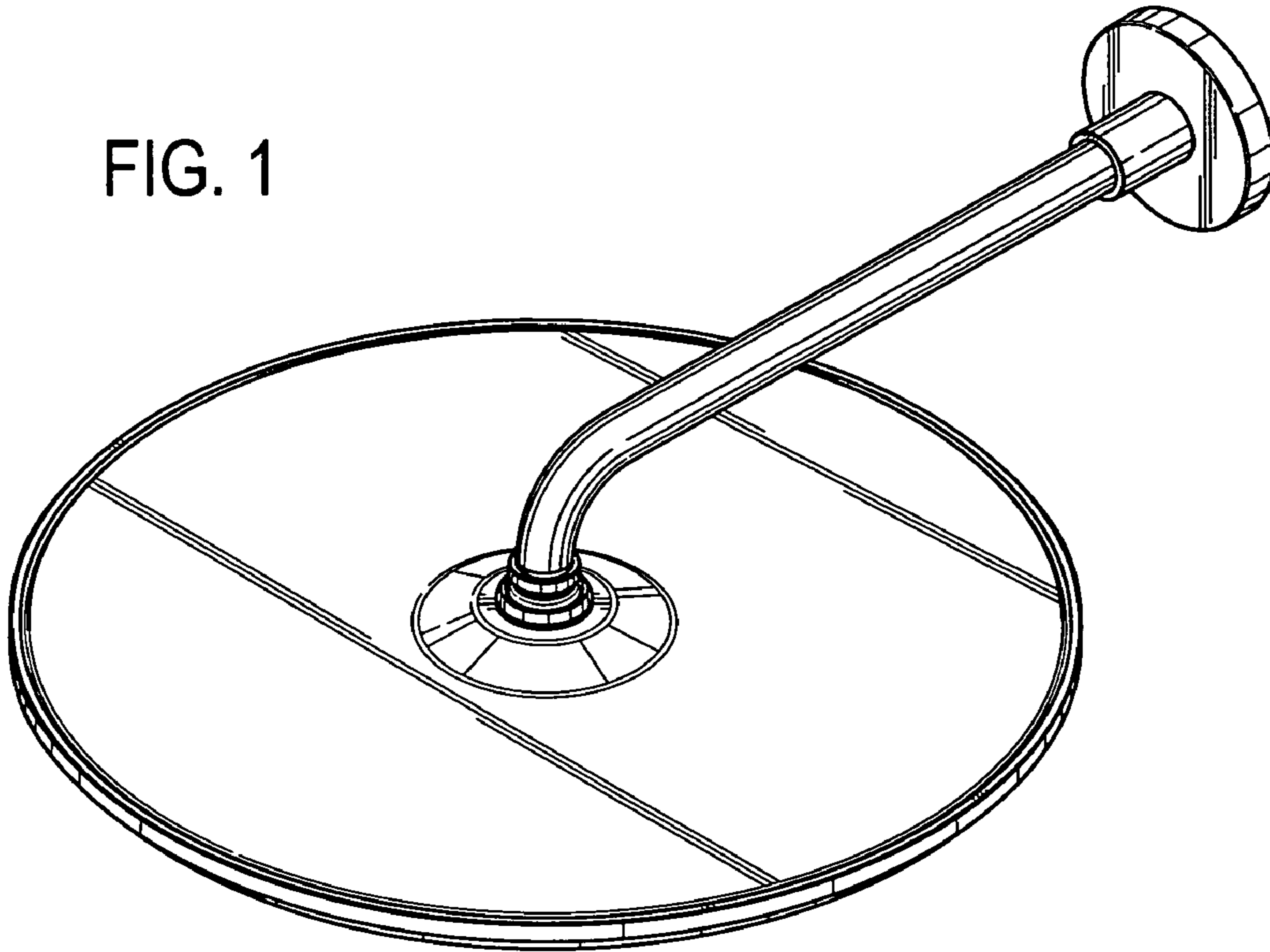


FIG. 2

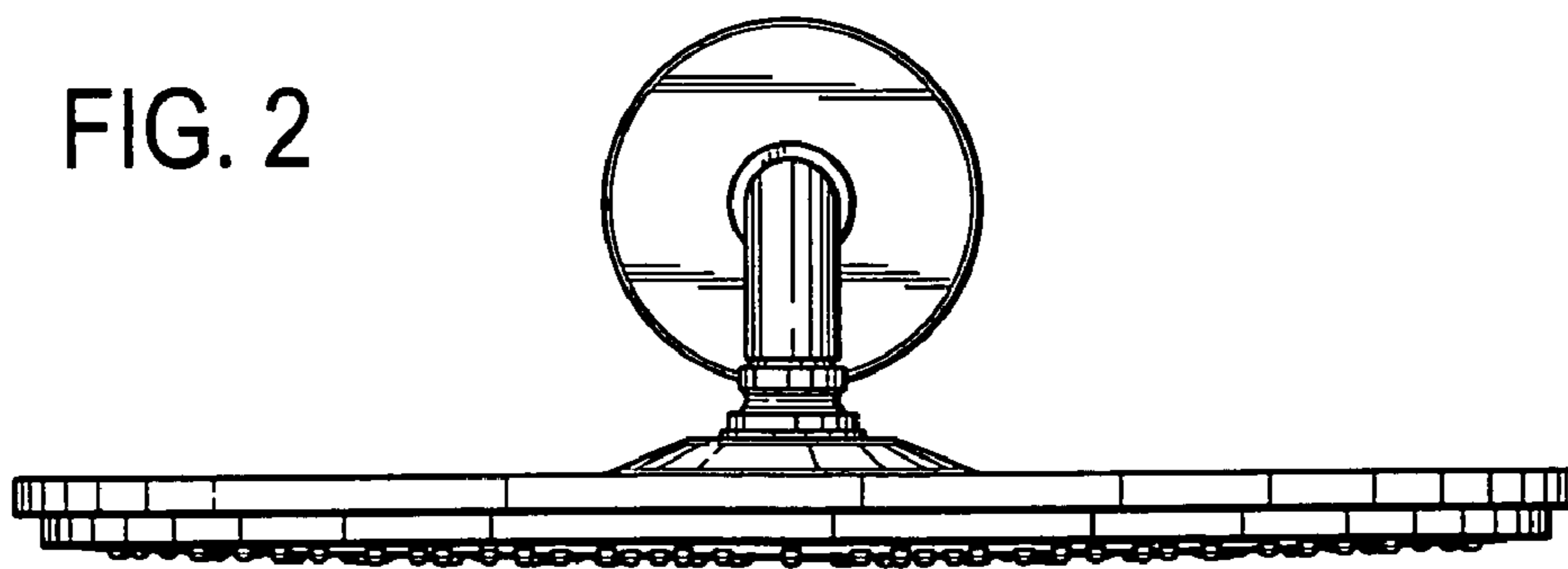


FIG. 3

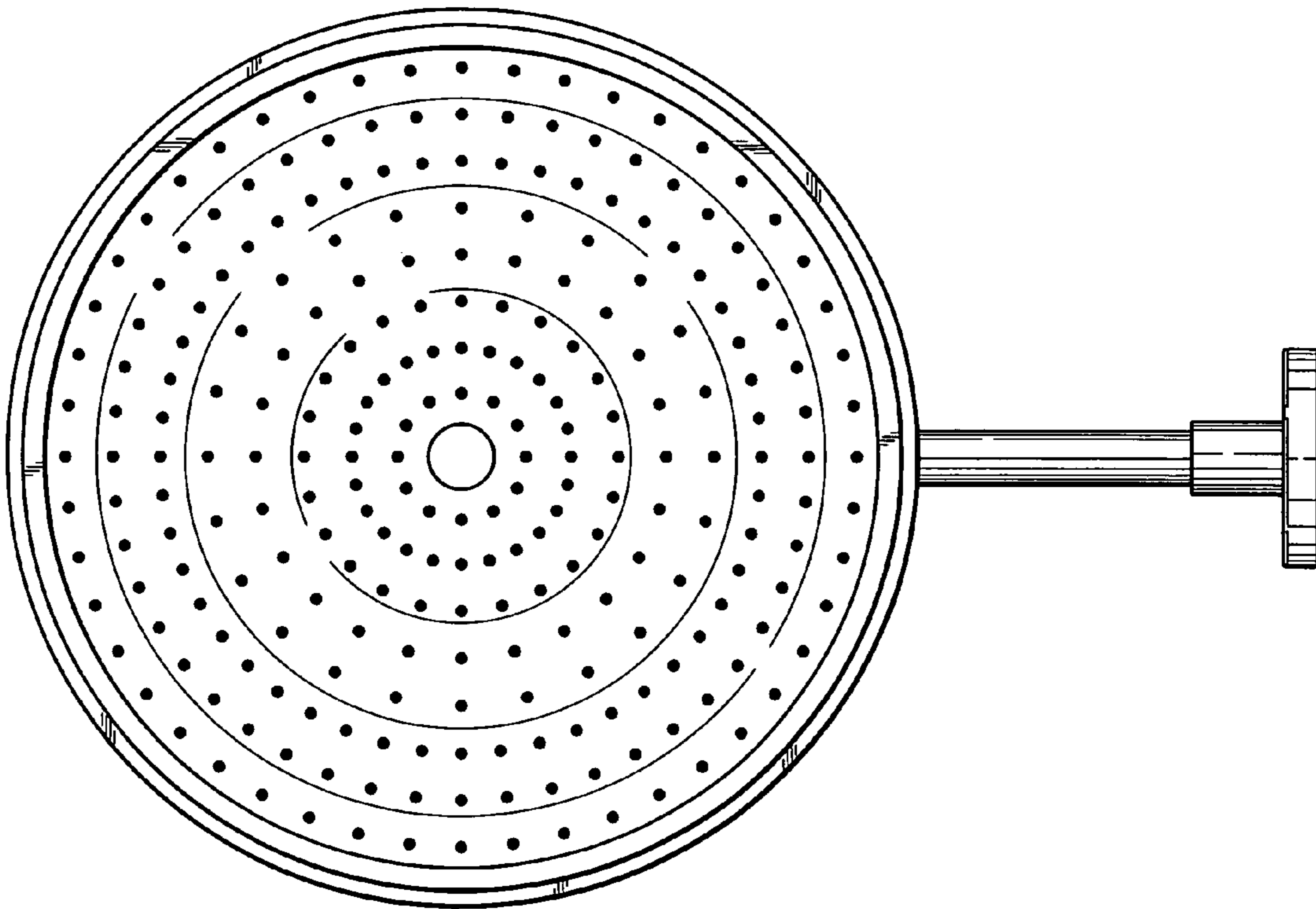
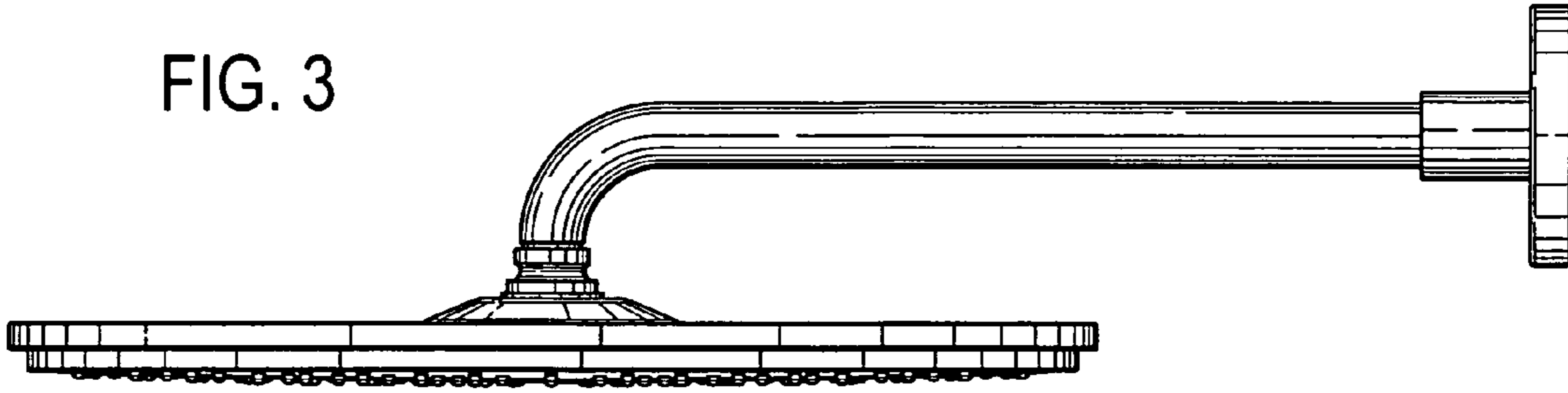


FIG. 4

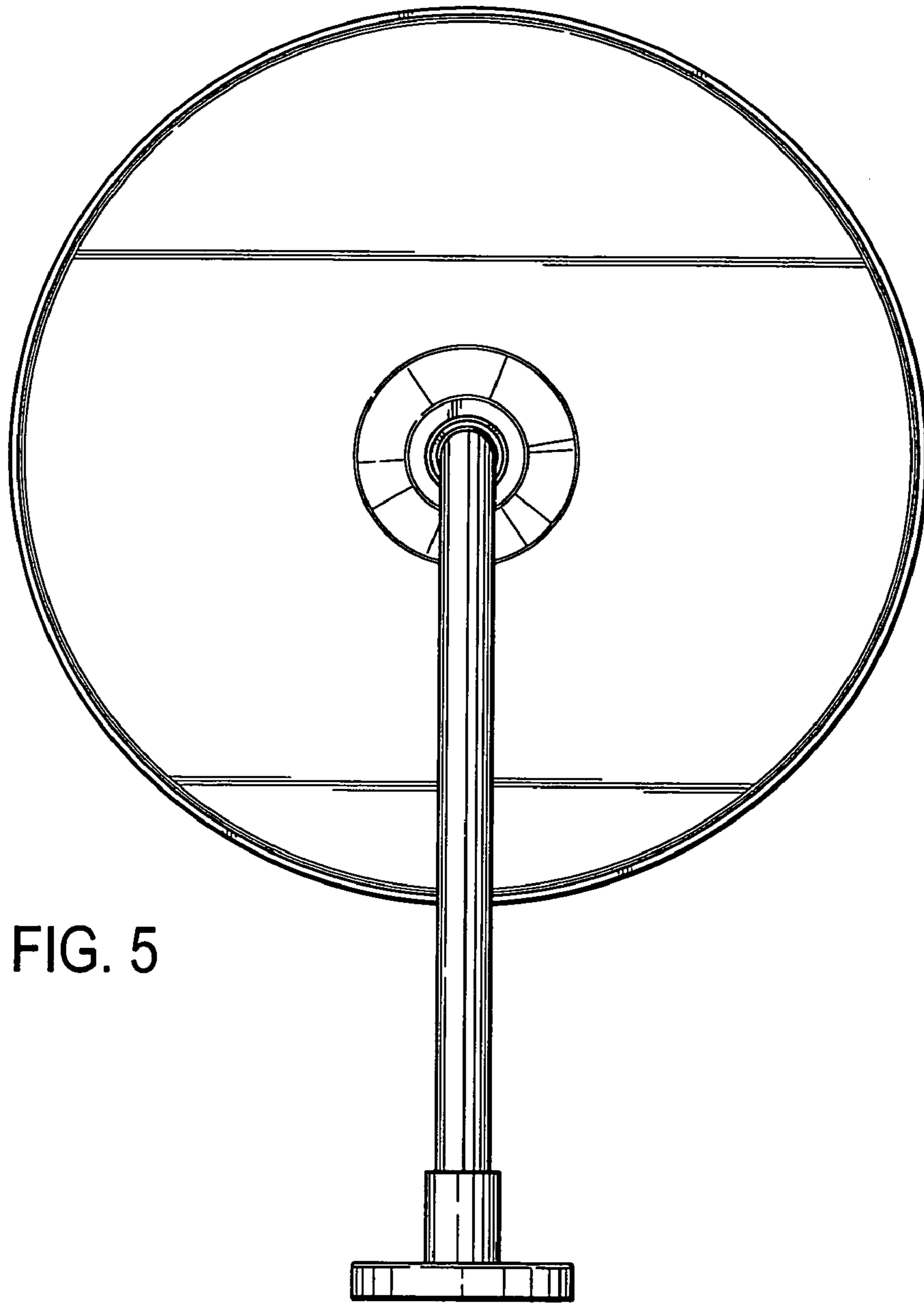


FIG. 5

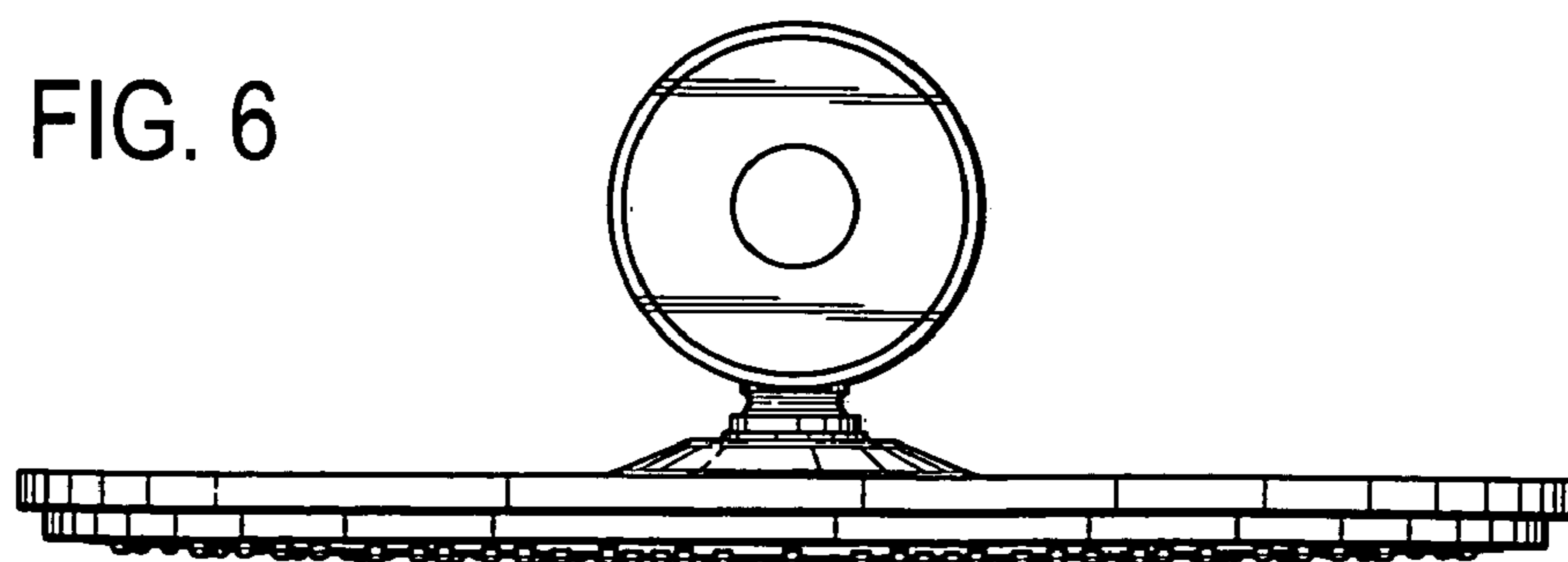


FIG. 6